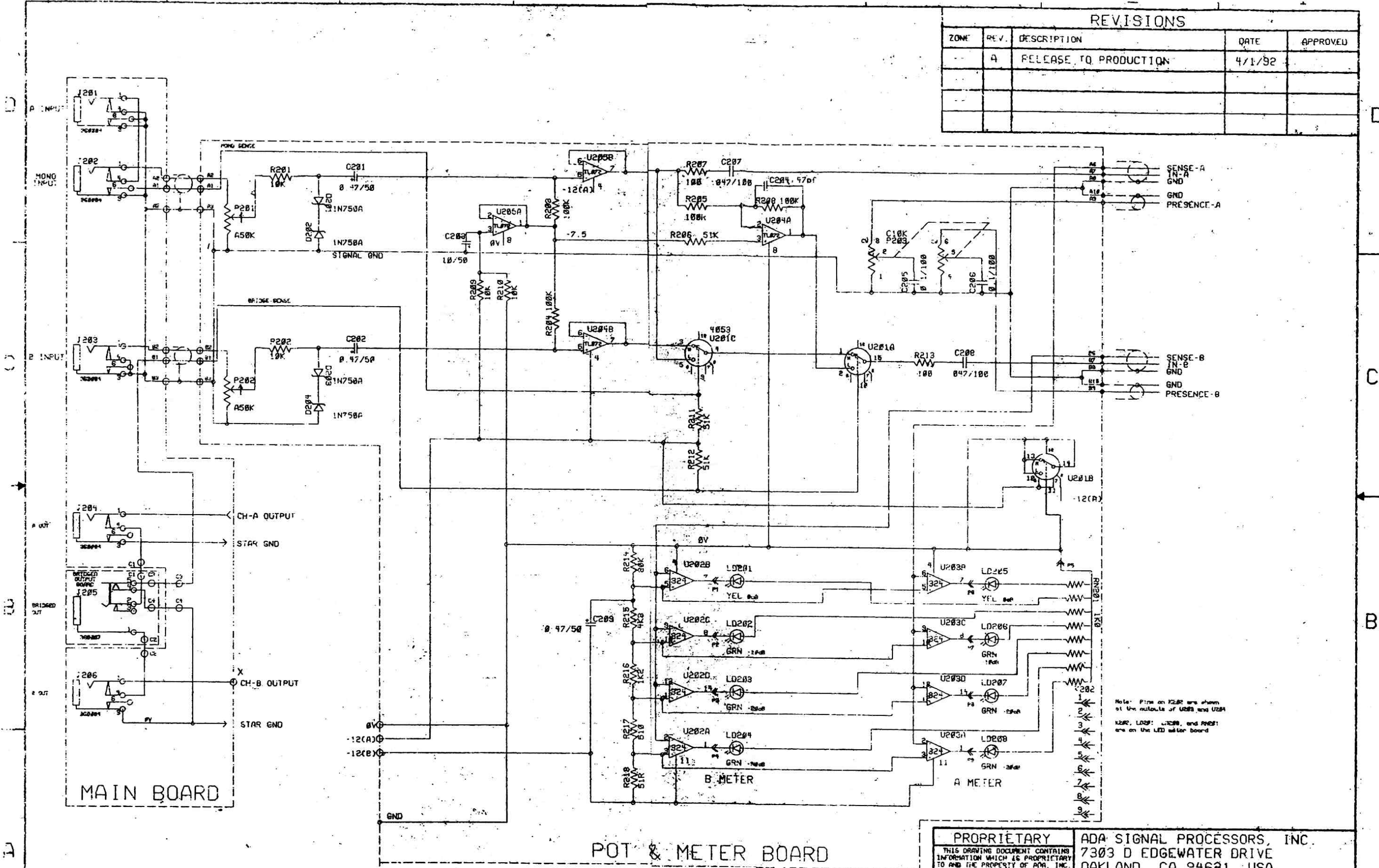


REVISIONS

ZONE	REV.	DESCRIPTION	DATE	APPROVED
	A	RELEASE TO PRODUCTION	4/1/92	



Note: Pins on ICs are shown at the outside of U205 and U201C.  
 ICs, LEDs, resistors, and pots are on the LED meter board.

NOTE: C210 APPEARS ON DRAWING C723.

This schematic has been downloaded from <http://www.aqadepot.com>, make sure you havent paid for it!

<p><b>PROPRIETARY</b>                  THIS DRAWING DOCUMENT CONTAINS INFORMATION WHICH IS PROPRIETARY TO AND THE PROPERTY OF ADA, INC. AND MAY NOT BE USED, REPRODUCED OR DISCLOSED IN ANY MANNER WITHOUT THE EXPRESSED WRITTEN CONSENT OF ADA, INC.</p>		<p>ADA SIGNAL PROCESSORS, INC.                  7303 D EDGEWATER DRIVE                  OAKLAND, CA 94621 USA.</p>	
<p>FILENAME: UT:1C</p>		<p>SCH: MICROTUBE 100 POTS &amp; METERS</p>	
<p>CHECKED BY: _____</p> <p>DATE: _____</p>	<p>DRAWN: Lynx</p> <p>ENGR: Randy</p>	<p>SIZE: _____</p> <p>DRAWING NUMBER: <b>C.725</b></p>	<p>REV: <b>A</b></p>
<p>APPROVED DATE: _____</p>	<p>SCALE: ---</p>	<p>DATE: 06-JAN-88</p>	<p>SHEET 1 OF 1</p>

8

7

6

5

4