



3ch Solo Head

Preliminary Schematic

3 CHANNEL DUAL / TRIPLE RECTIFIER SOLO HEAD

FRONT PANEL

CHANNEL 1 (GREEN)		
Control Function	Type	Mesa Part#
Gain	Pot	593792
	Knob	408110
Master	Pot	593792
	Knob	408110
Presence	Pot	592738
	Knob	408110
Treble	Pot	593148
	Knob	408110
Middle	Pot	593736
	Knob	408110
Bass	Pot	593148
	Knob	408110
Cln/Pushed	Switch	607101
Green LED	LED	395538
	Lens	703300

CHANNEL 2 (ORANGE)		
Control Function	Type	Mesa Part#
Gain	Pot	592794
	Knob	408110
Master	Pot	593792
	Knob	408110
Presence	Pot	593737
	Knob	408110
Treble	Pot	592738
	Knob	408110
Middle	Pot	593737
	Knob	408110
Bass	Pot	593739
	Knob	408110
Raw/Vtg/Mdrn	Switch	607303
Orange LED	LED	395433
	Lens	703300

CHANNEL 3 (RED)		
Control Function	Type	Mesa Part#
Gain	Pot	592794
	Knob	408110
Master	Pot	593792
	Knob	408110
Presence	Pot	592151
	Knob	408110
Treble	Pot	592738
	Knob	408110
Middle	Pot	593737
	Knob	408110
Bass	Pot	593148
	Knob	408110
Raw/Vtg/Mdrn	Switch	607303
Red LED	LED	395753
	Lens	703300

MISC PARTS		
Control Function	Type	Mesa Part#
Input	Jack	610120
Output	Pot	593148
	Knob	408110
Solo	Pot	593148
	Knob	408110
Pilot Light	Bulb	703047
	Lens	703782
	Light Holder	703850
Standby	Switch	602112
Power	Switch	602112

REAR PANEL

MISC PARTS

MISC PARTS

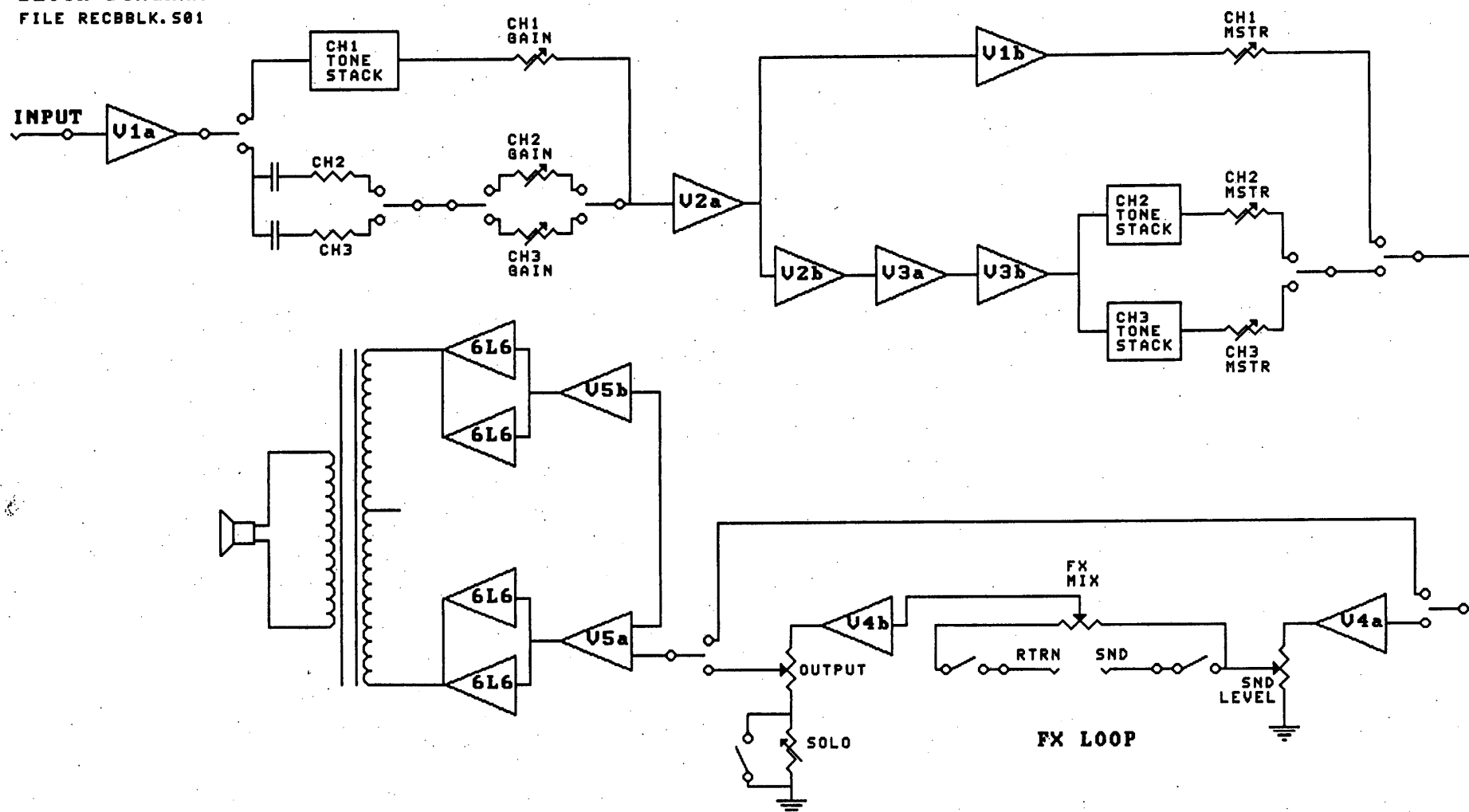
3 CHANNEL DUAL / TRIPLE RECTIFIER SOLO HEAD

Control Function	Type	Mesa Part#	
Slave	Pot	592378	
	Knob	408111	
	Jack	618112	
Speaker Outs (5)	Jack	618112	
FX Loop	Assign	Rotary Sw	608110
		Knob	408111
	Send	Jack	618112
	Return	Jack	618112
	Send Level	Pot	593736
		Knob	408113
	Mix Level	Pot	593737
Knob		408113	
Channel Select	Rotary Sw	608226	
	Knob	408111	
	Foot Switch	Jack	613607

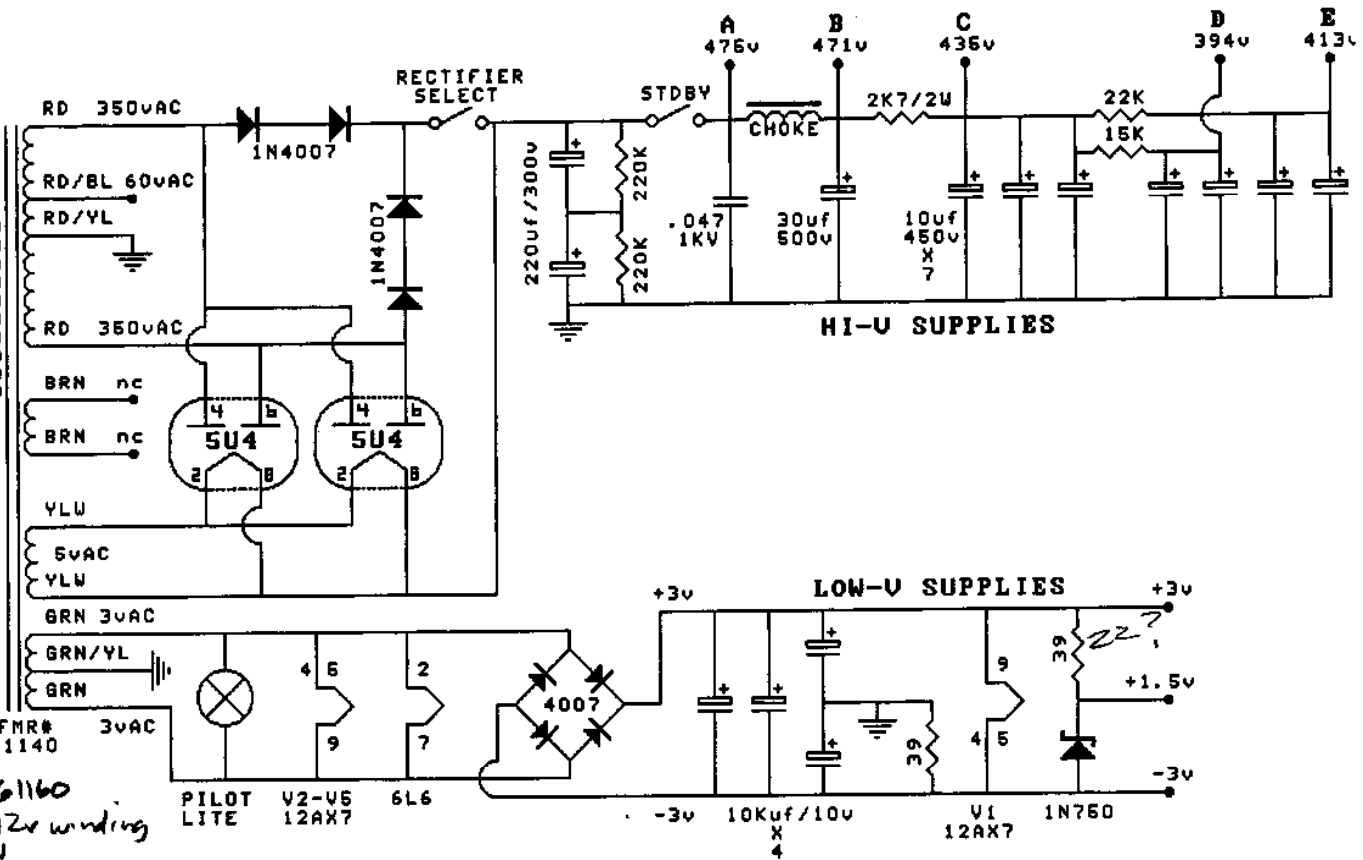
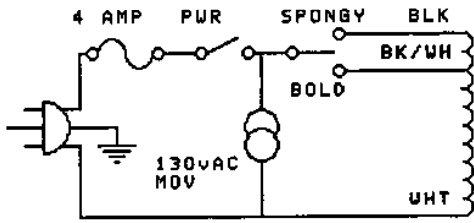
Control Function	Type	Mesa Part#	
External Swtch (5)	Jack	618112	
Bias Select	Select	Switch	602000
	Grn LED	LED	395550
	Red LED	LED	395520
Rectifier Select	Switch	602112	
Bold/Spongy	Switch	600115	
Fuse Holder	Domestic	Cap/Holder	790347
		Fuse	790403
	Export	Cap/Holder	790346
		Fuse	795200
AC Receptacle	Jack	613713	

MESA-BOOGIE DUAL RECTIFIER 3 CHANNEL

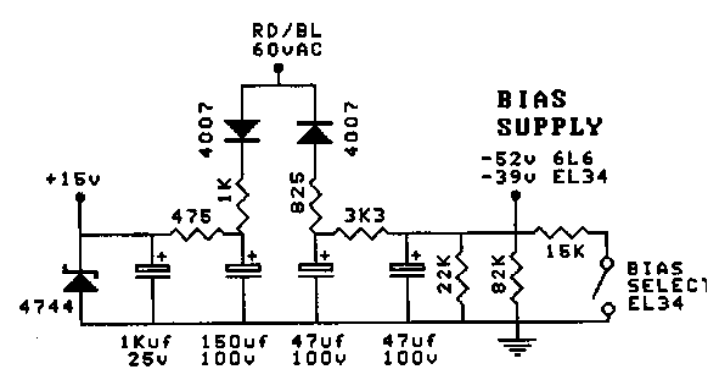
BLOCK DIAGRAM
FILE RECBLK.501



**MESA-BOOGIE
DUAL RECTIFIER
SOLO HEAD 3 CHANNEL
POWER SUPPLIES**
FILE RECBSUPP. 501

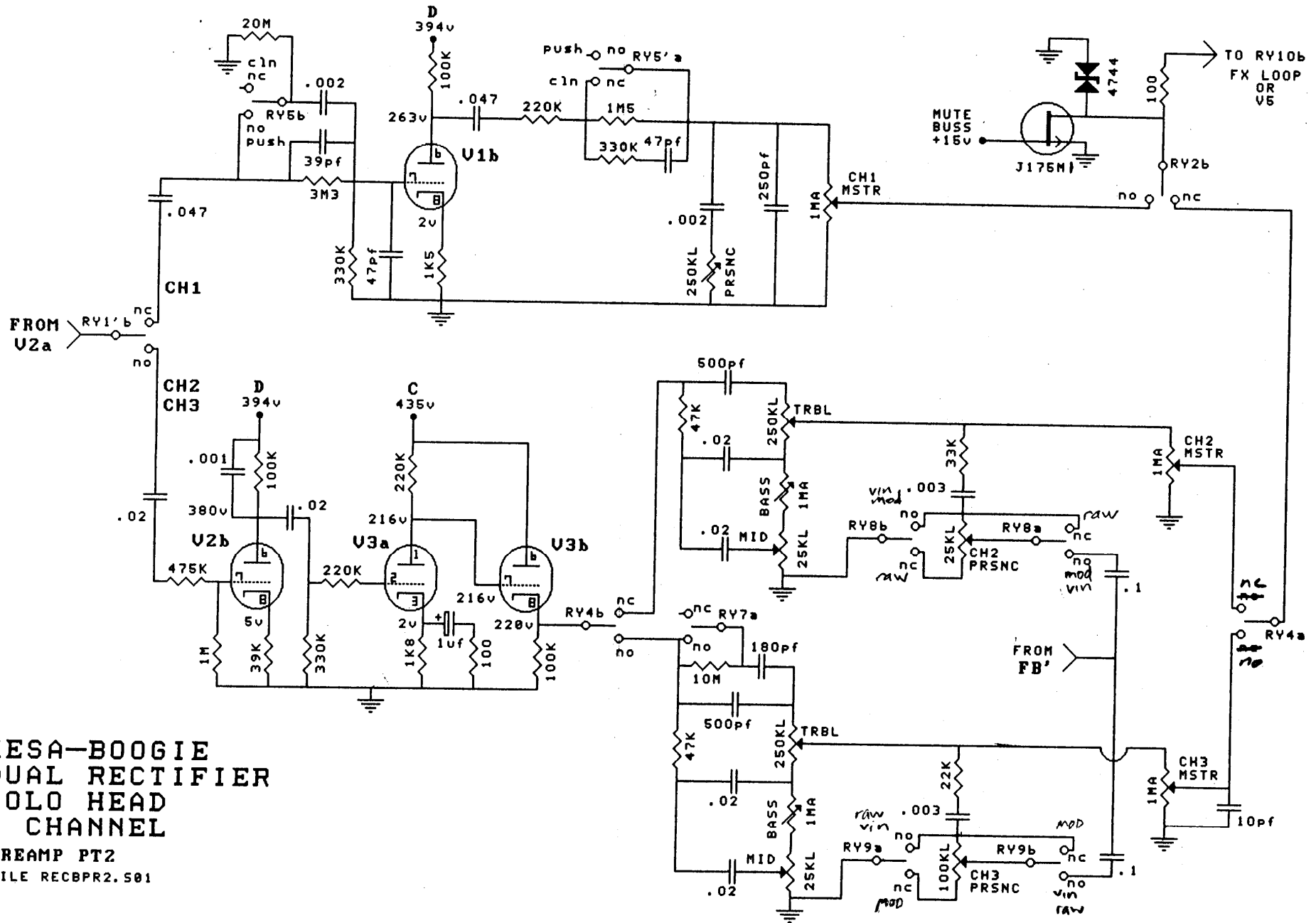


* 561160
no 12v winding
BRN
BRN
less cap in spongy
561161
x-port version



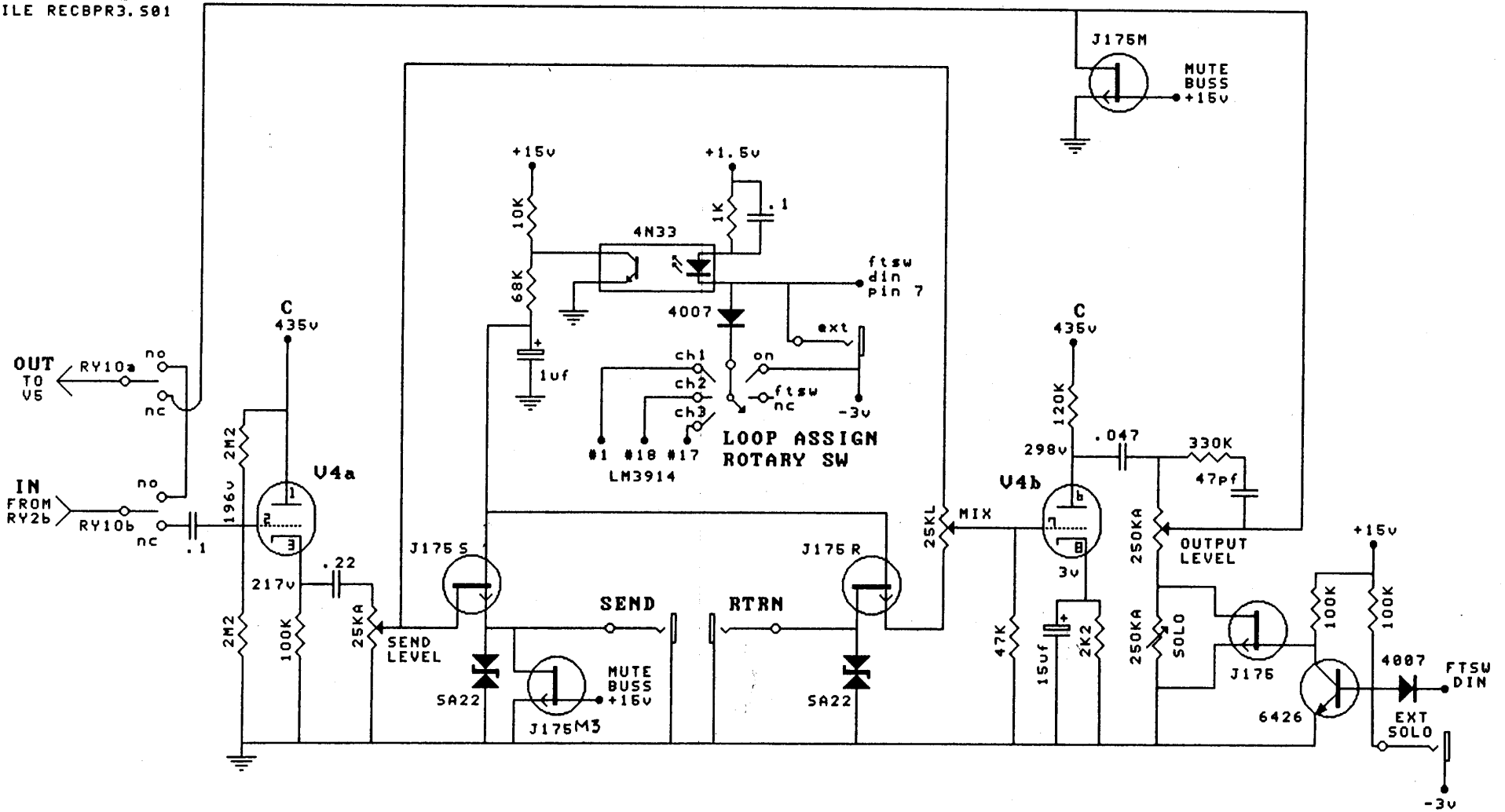
MESA-BOOGIE
 DUAL RECTIFIER
 SOLO HEAD
 3 CHANNEL

PREAMP PT2
 FILE RECBPR2.S01



MESA-BOOGIE
 DUAL RECTIFIER
 SOLO HEAD
 3 CHANNEL

PREAMP PT3
 FILE RECPR3. S01

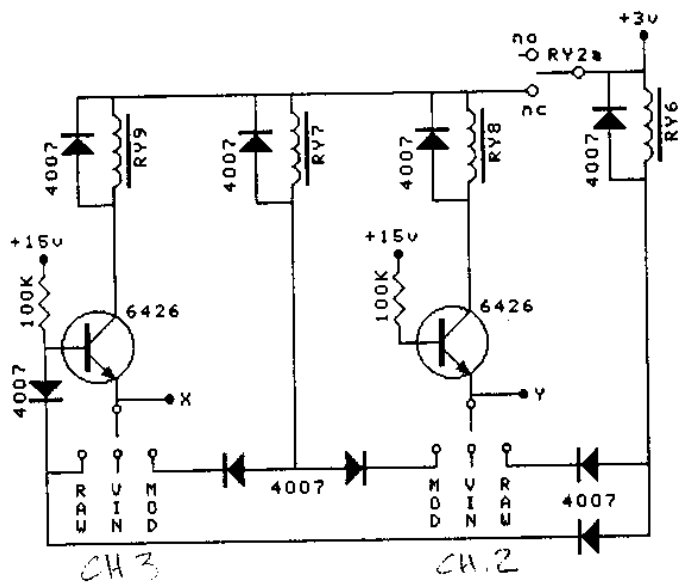


2 CH3 VOICING

MESA-BOOGIE
DUAL RECTIFIER
SOLO HEAD 3CHANNEL

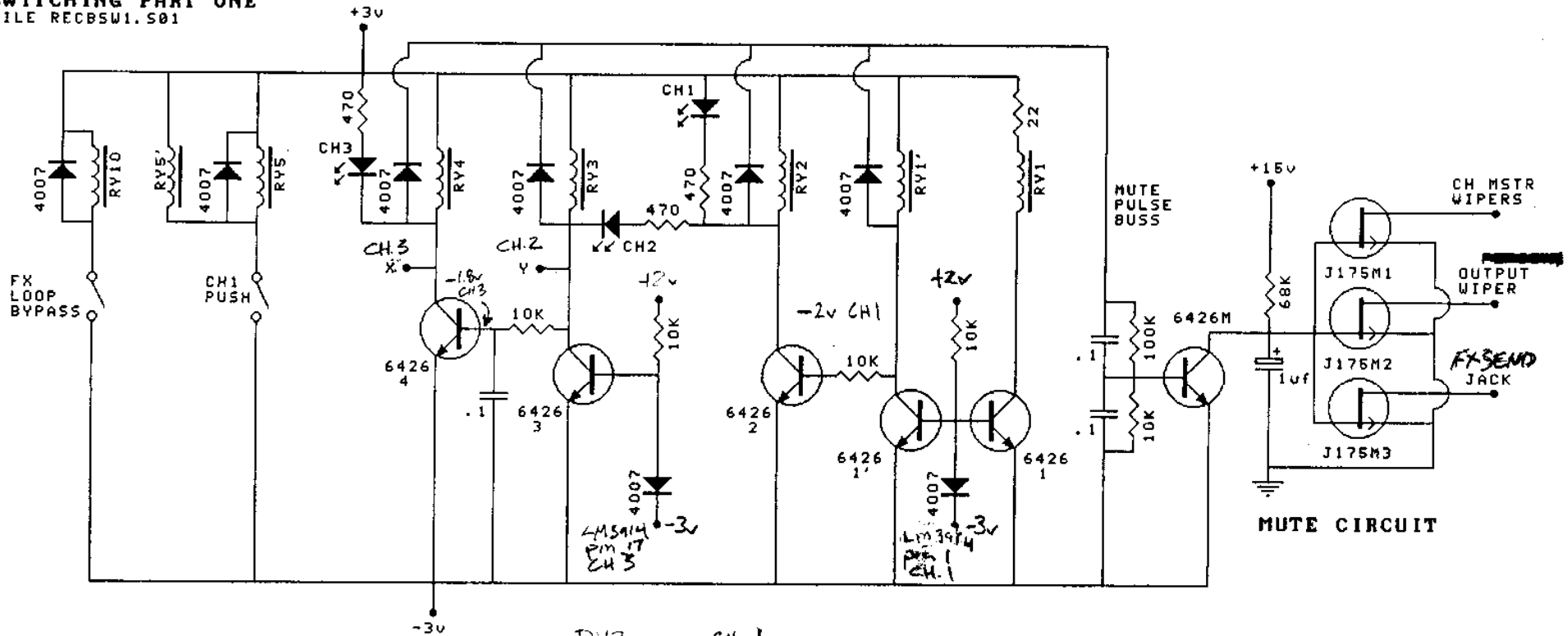
CH2 CH3 VOICING

FILE RECBSU2.501

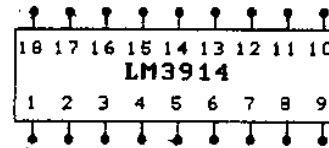


MESA-BOOGIE DUAL RECTIFIER SOLO HEAD 3 CHANNEL

SWITCHING PART ONE
FILE RECBSU1.S01



RV2 on = CH 1
 RV3 on = CH 2
 RV4 on = CH 3
 RV1' on = CH 2
 CH 3
 RV1 on CH 2
 CH 3



MESA-BOOGIE DUAL RECTIFIER SOLO HEAD 3 CHANNEL

POWER AMP
FILE RECBPUR.501

