

***MESA/BOOGIE***<sup>®</sup>

***F-50***<sup>™</sup>

**F 50****FRONT PANEL**

<b>CHANNEL 1</b>		
<b>Control Function</b>	<b>Type</b>	<b>Mesa Part#</b>
Green LED	Lens	703300
	LED	395438
Gain	Pot	591842
	Knob	408015
Treble	Pot	593148
	Knob	408015
Middle	Pot	593736
	Knob	408015
Bass	Pot	593148
	Knob	408015
Reverb	Pot	593150
	Knob	408015
Master	Pot	592738
	Knob	408015

<b>CHANNEL 2</b>		
<b>Control Function</b>	<b>Type</b>	<b>Mesa Part#</b>
Red LED	Lens	703300
	LED	395753
Gain	Pot	593739
	Knob	408015
Treble	Pot	592738
	Knob	408015
Middle	Pot	593737
	Knob	408015
Bass	Pot	593739
	Knob	408015
Reverb	Pot	593150
	Knob	408015
Master	Pot	592794
	Knob	408015

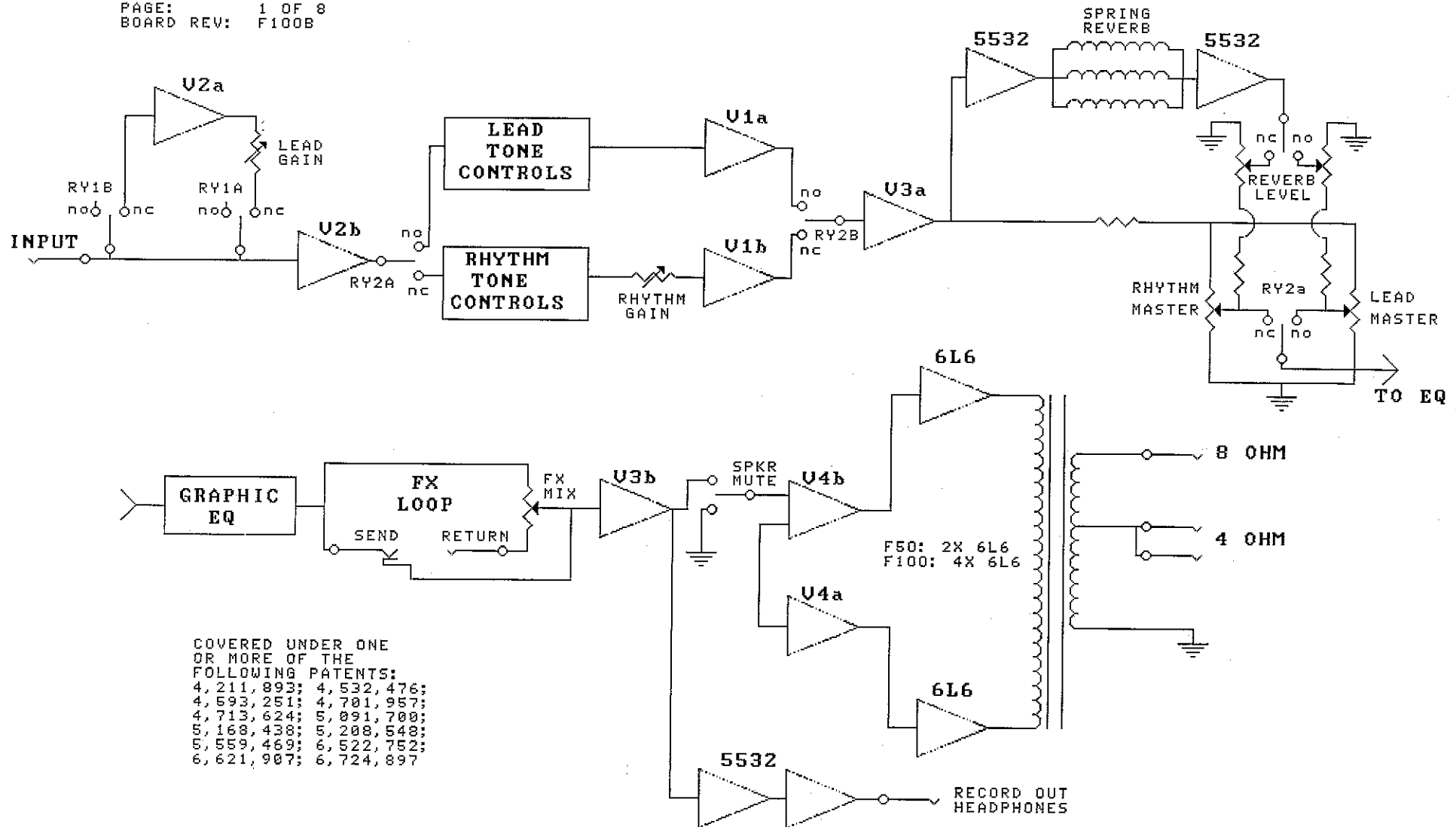
<b>MISC PARTS</b>		
<b>Control Function</b>	<b>Type</b>	<b>Mesa Part#</b>
Input	Jack	610120
Channel Select	Switch	607313
<b>Pilot Light</b>	Light	703047
	Lens	703782
	Light Holder	703850
Standby	Switch	601073
Power	Switch	601073

<b>REAR PANEL</b>			
<b>MISC PARTS</b>			
<b>Control Function</b>	<b>Type</b>	<b>Mesa Part#</b>	
<b>Fuse Holder</b>	Domestic	Cap/Holder	790347
		Fuse	790200
	Export	Cap/Holder	790346
		Fuse	795101
Record/Phones	Jack	619100	
<b>FX Loop</b>	Mix Level	Pot	593737
		Knob	408004
	Send Return	Jack	619100
		Jack	619100
Speaker Mute	Switch	600115	
Speaker Outs(3)	Jack	619100	
AC	Jack	613713	
Footswitch	Jack	613615	

# MESA/BOOGIE F50/F100

## BLOCK DIAGRAM

FILE: F50BLK.S01  
 DATE: FEB 1 2005  
 DRAWN BY: JOHN M  
 PAGE: 1 OF 8  
 BOARD REV: F100B

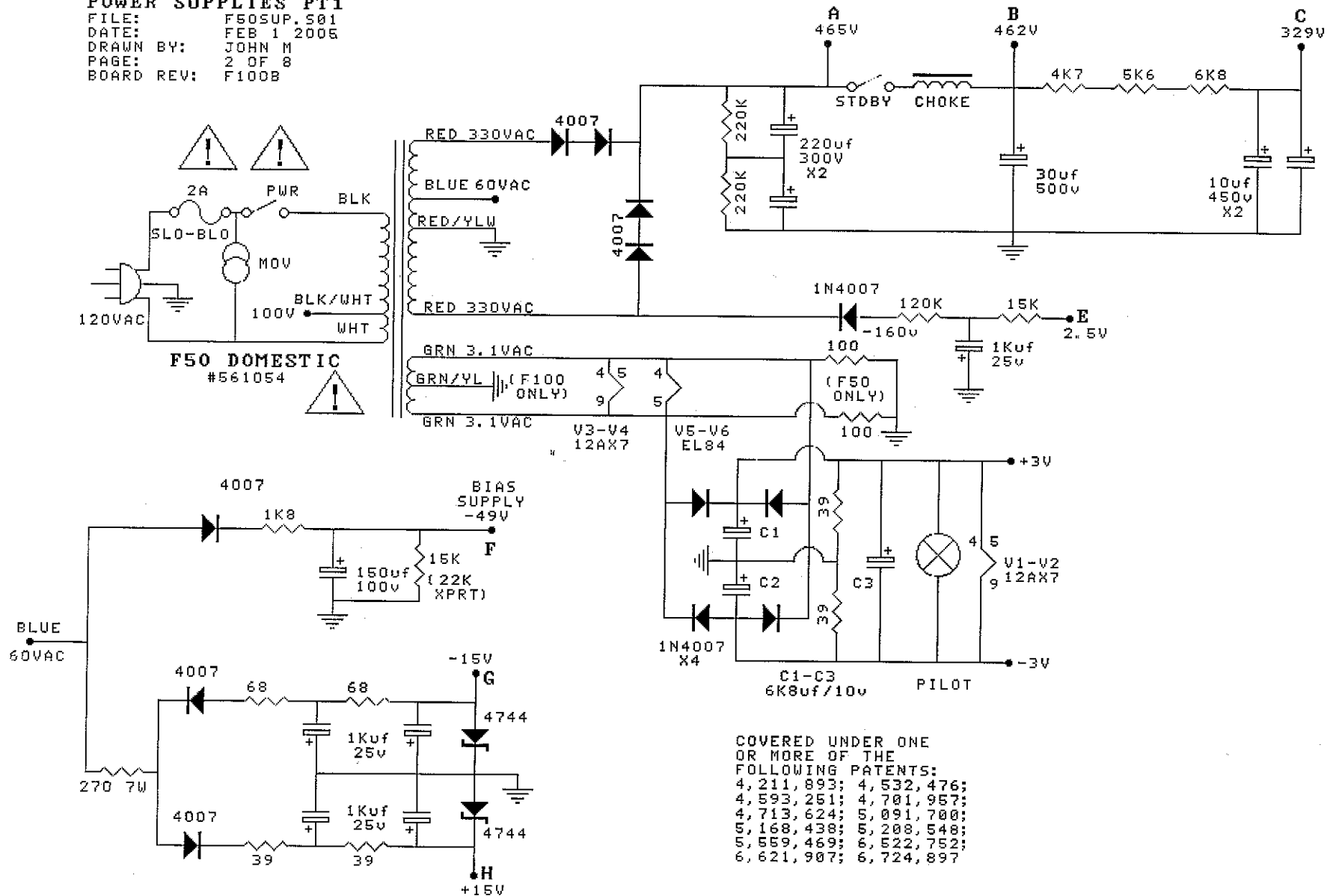


COVERED UNDER ONE  
 OR MORE OF THE  
 FOLLOWING PATENTS:  
 4,211,893; 4,532,476;  
 4,593,251; 4,781,957;  
 4,713,624; 5,091,700;  
 5,168,438; 5,208,548;  
 5,559,469; 6,522,752;  
 6,621,987; 6,724,897

# MESA/BOOGIE F50/F100

## POWER SUPPLIES PT1

FILE: F50SUP.S01  
 DATE: FEB 1 2005  
 DRAWN BY: JOHN M  
 PAGE: 2 OF 8  
 BOARD REV: F100B

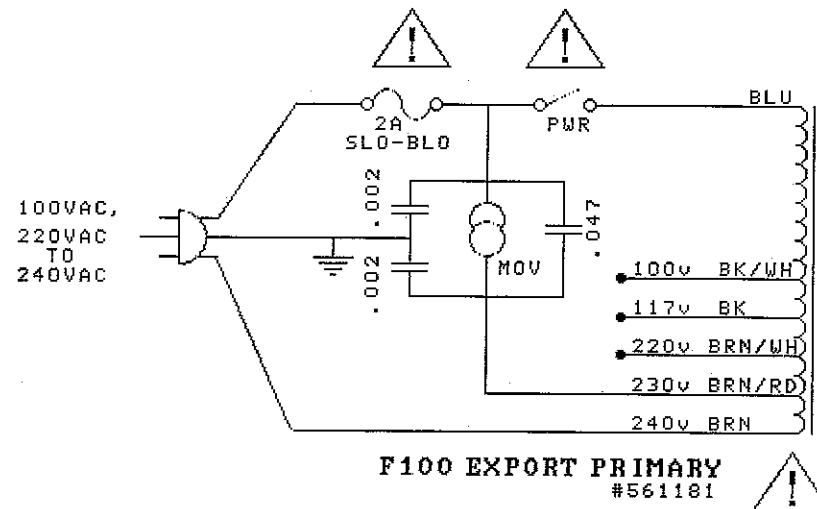
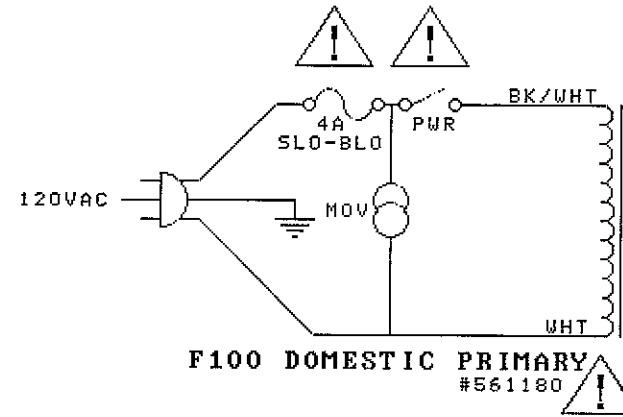
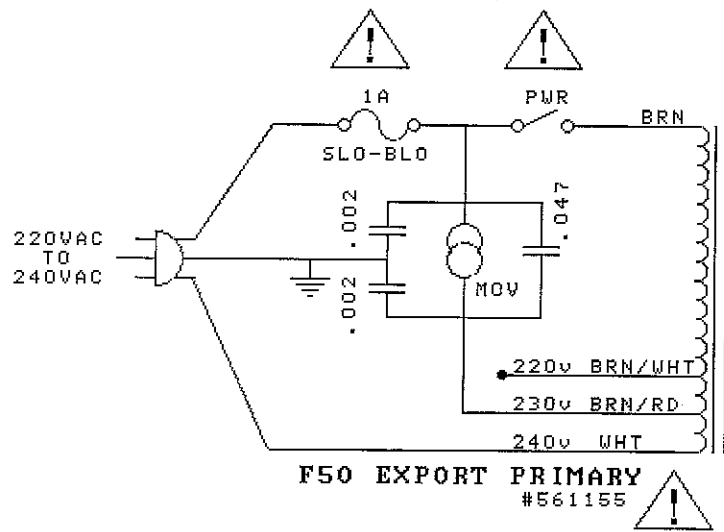


COVERED UNDER ONE  
 OR MORE OF THE  
 FOLLOWING PATENTS:  
 4,211,893; 4,532,476;  
 4,593,251; 4,701,957;  
 4,713,624; 5,091,700;  
 5,168,438; 5,208,548;  
 5,559,469; 6,522,752;  
 6,621,907; 6,724,897

# MESA/BOOGIE F50/F100

## POWER SUPPLIES PT2

FILE: F50SUPA.S01  
 DATE: FEB 1 2005  
 DRAWN BY: JOHN M  
 PAGE: 3 OF 8  
 BOARD REV: F100B

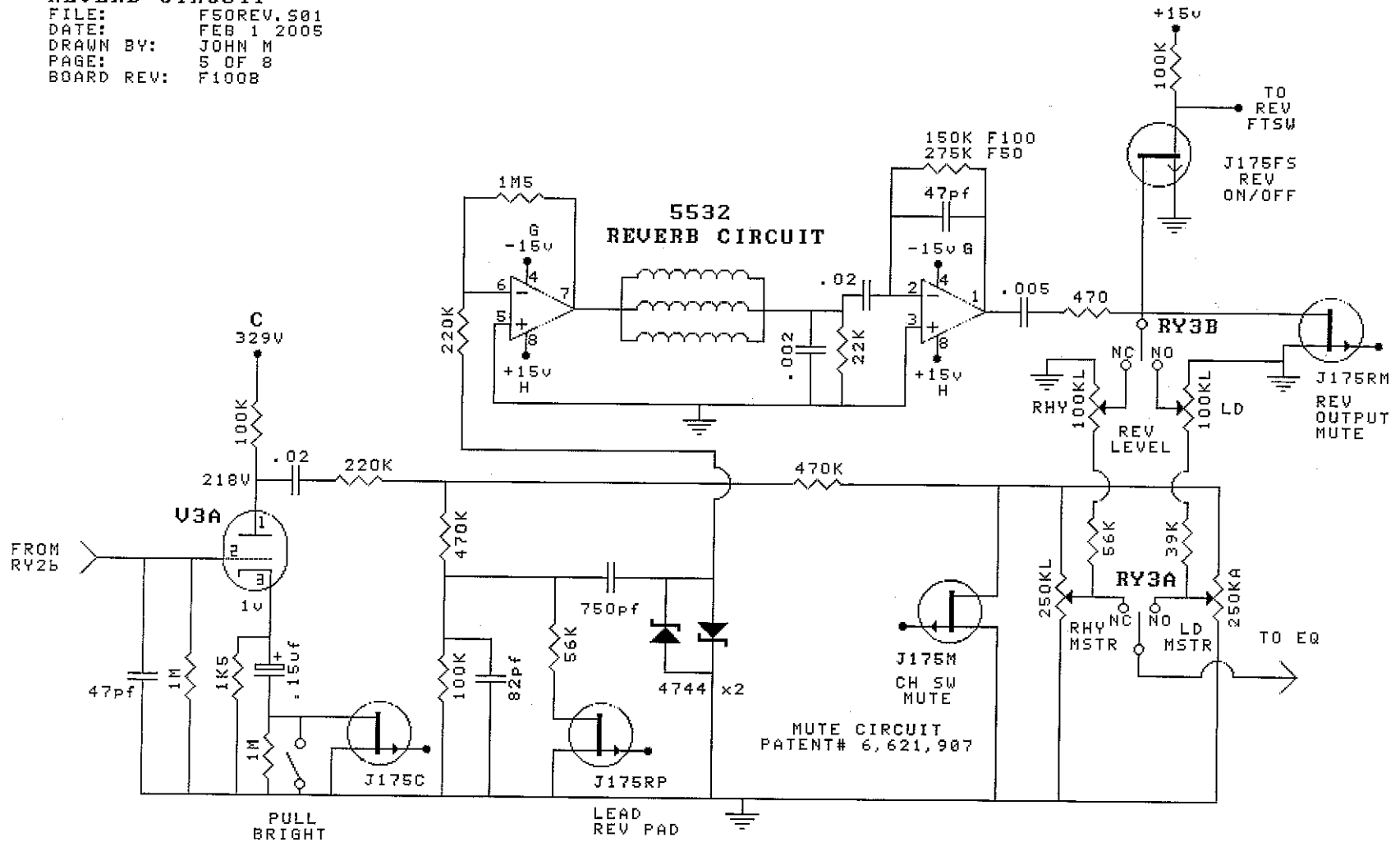




# MESA/BOOGIE F50/F100

## REVERB CIRCUIT

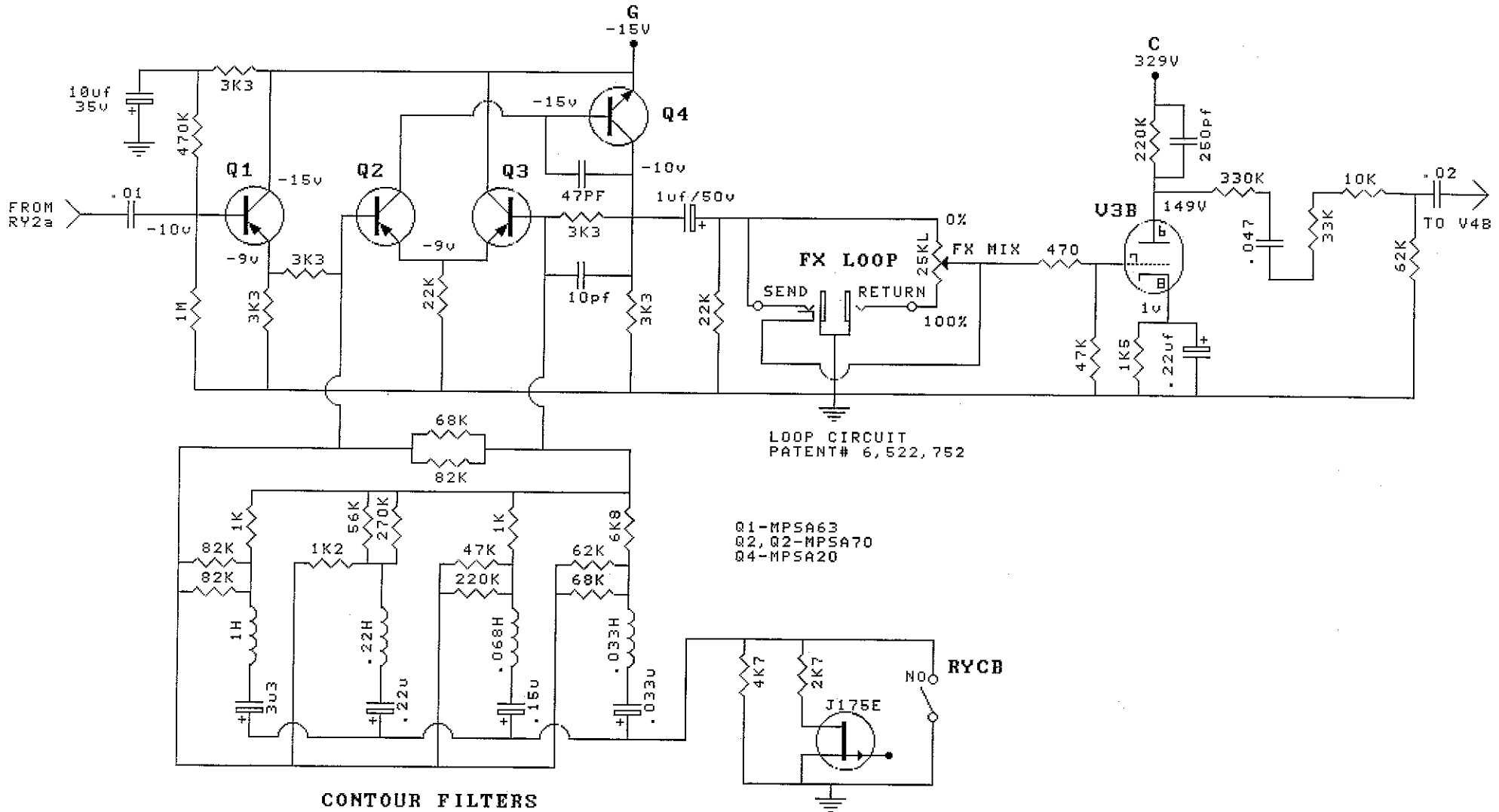
FILE: F50REV.S01  
 DATE: FEB 1 2005  
 DRAWN BY: JOHN M  
 PAGE: 5 OF 8  
 BOARD REV: F100B



# MESA/BOOGIE F50/F100

## EQ/FX LOOP

FILE: F50EQ.S01  
 DATE: FEB 1 2005  
 DRAWN BY: JOHN M  
 PAGE: 6 OF 8  
 BOARD REV: F100B

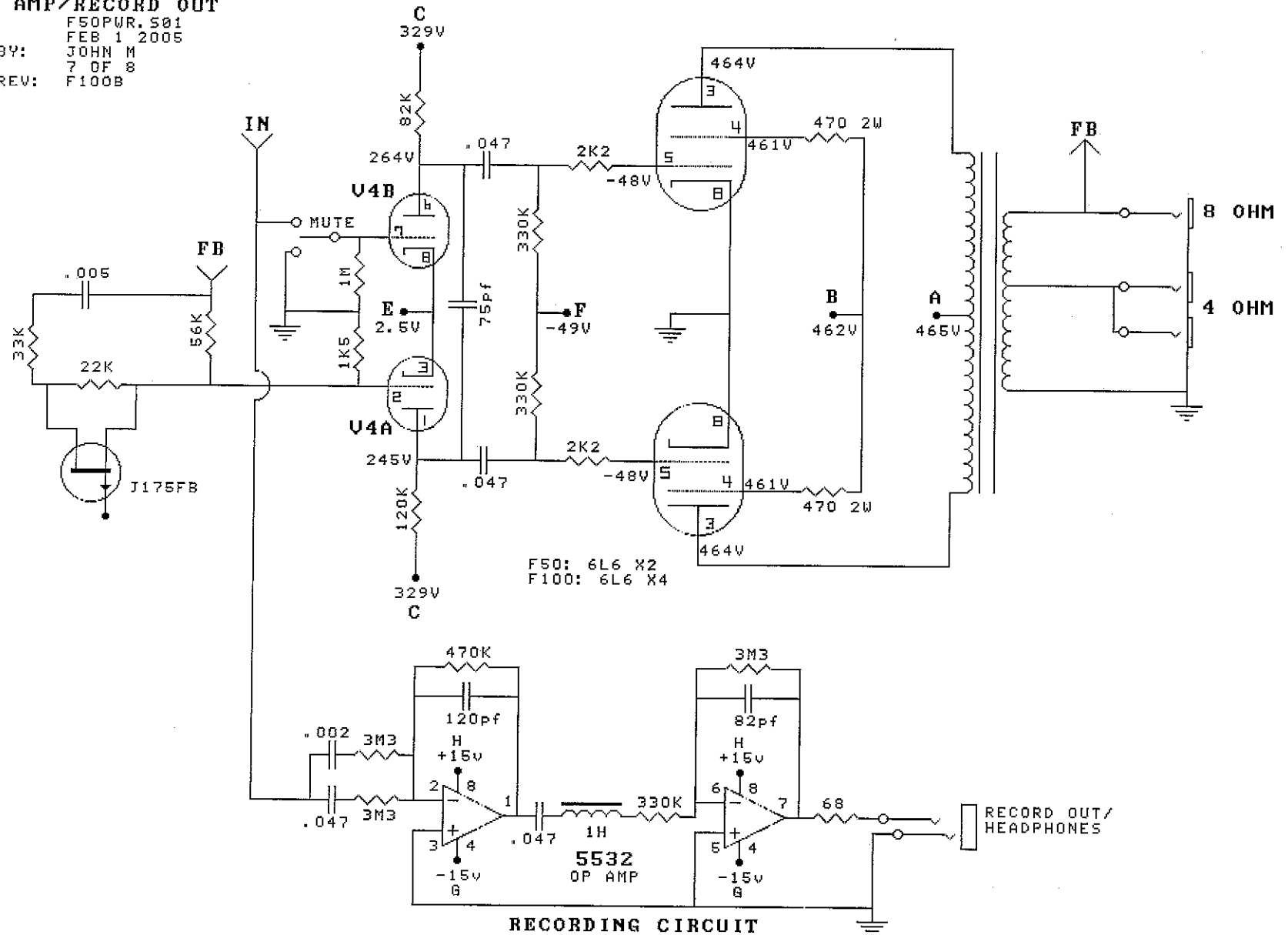




# MESA/BOOGIE F50/F100

POWER AMP/RECORD OUT

FILE: F50PUR.S01  
DATE: FEB 1 2005  
DRAWN BY: JOHN M  
PAGE: 7 OF 8  
BOARD REV: F100B



# MESA/BOOGIE F50/F100

## SWITCHING MATRIX

FILE: F50SW1.S01  
 DATE: FEB 1 2005  
 DRAWN BY: JOHN M  
 PAGE: 8 OF 8  
 BOARD REV: F100B

