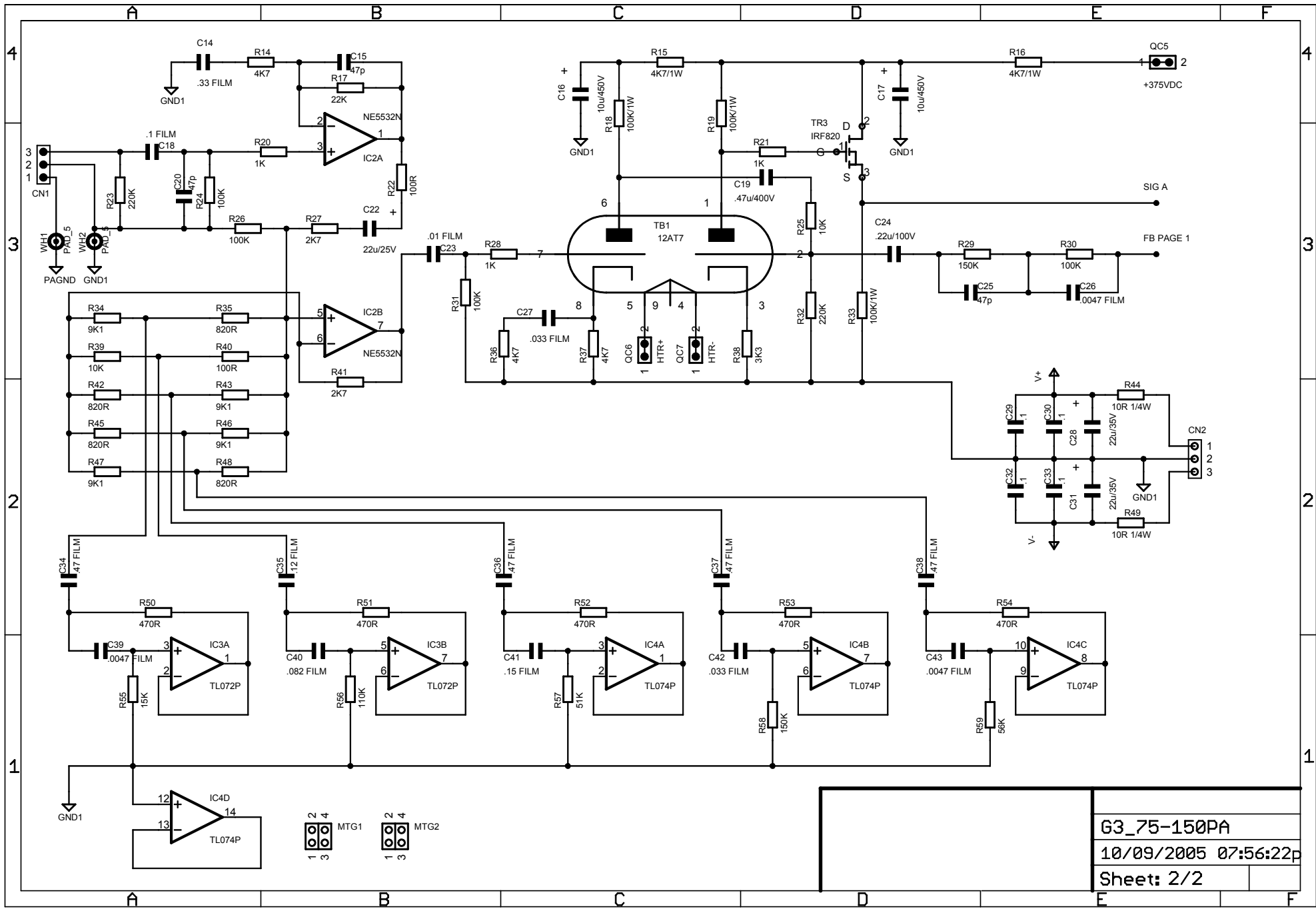


G3\_75-150PA  
 10/09/2005 07:56:22p  
 Sheet: 1/2



G3_75-150PA	
10/09/2005 07:56:22p	
Sheet: 2/2	