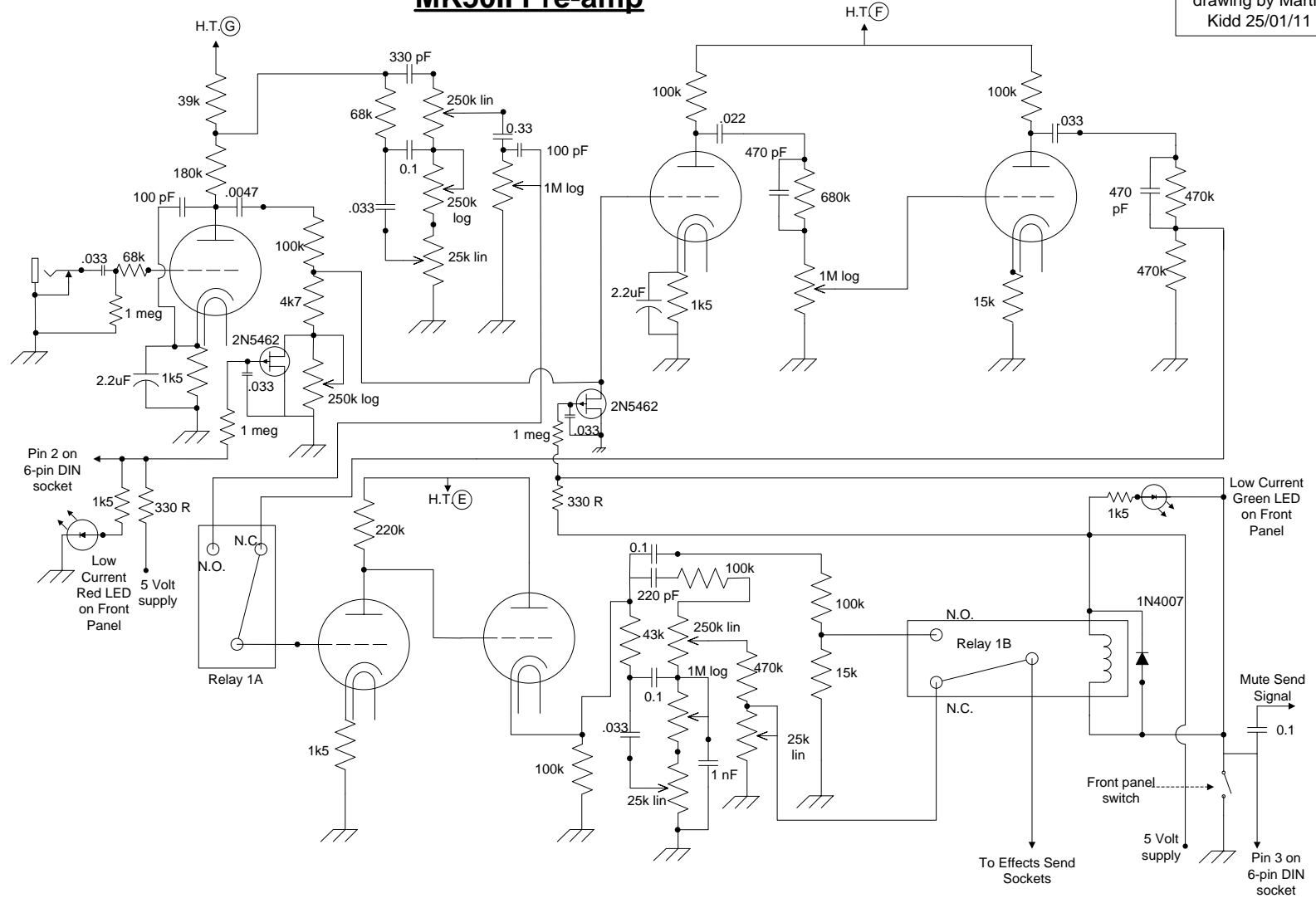


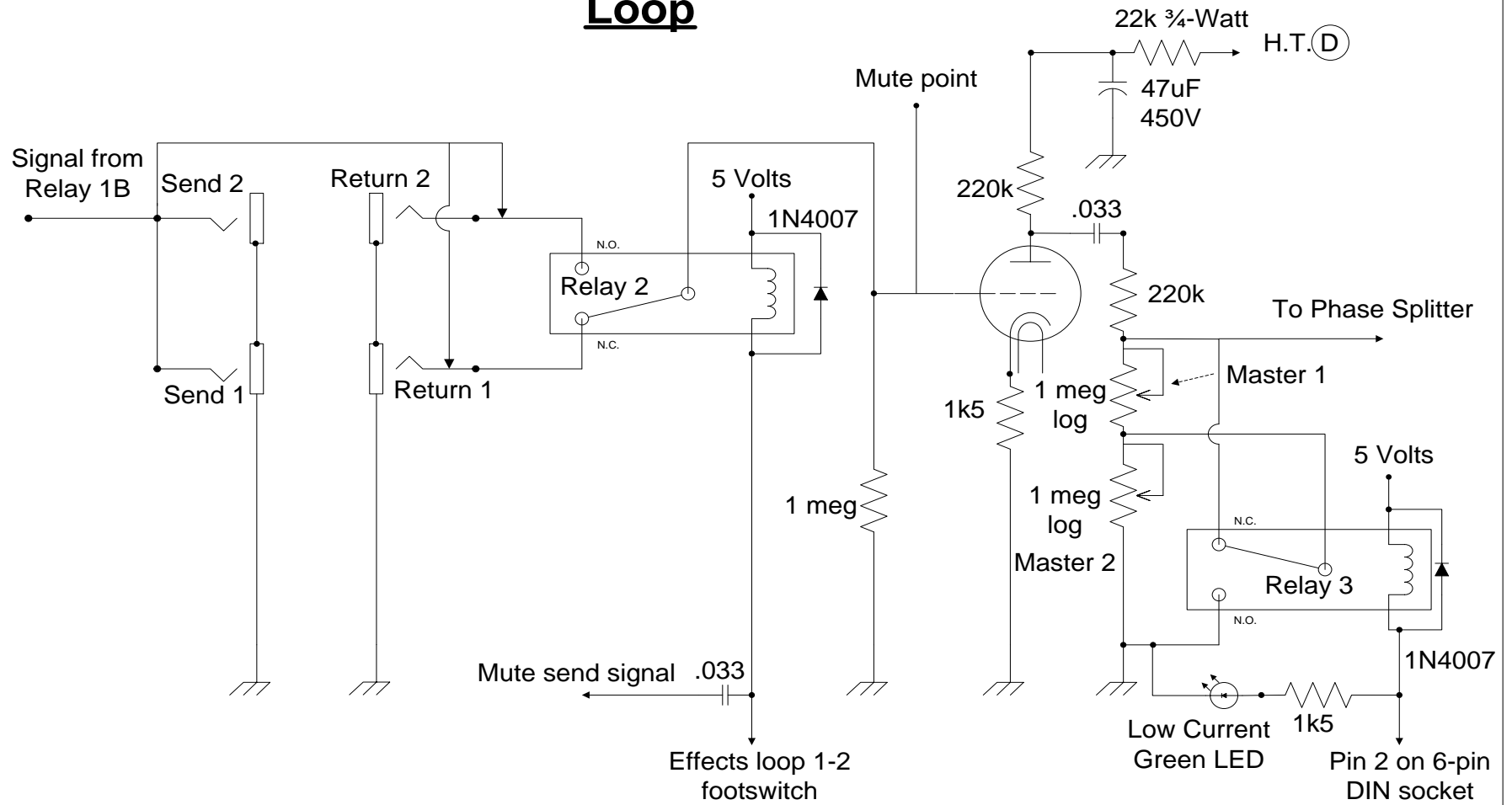
MK50II Pre-amp

Circuit design and drawing by Martin Kidd 25/01/11



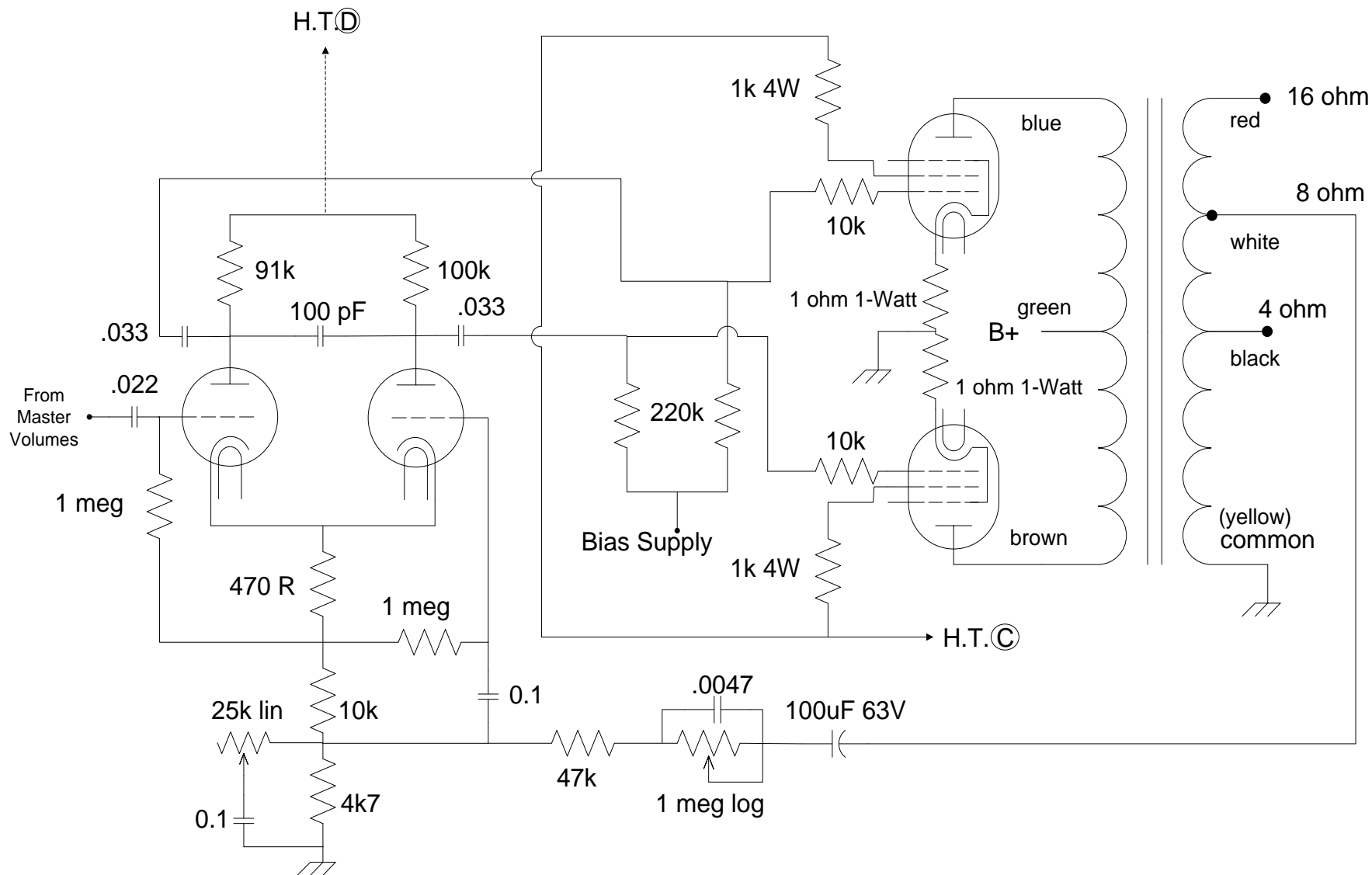
MK50II Effects Loop

Circuit design and drawing by Martin Kidd 25/01/11



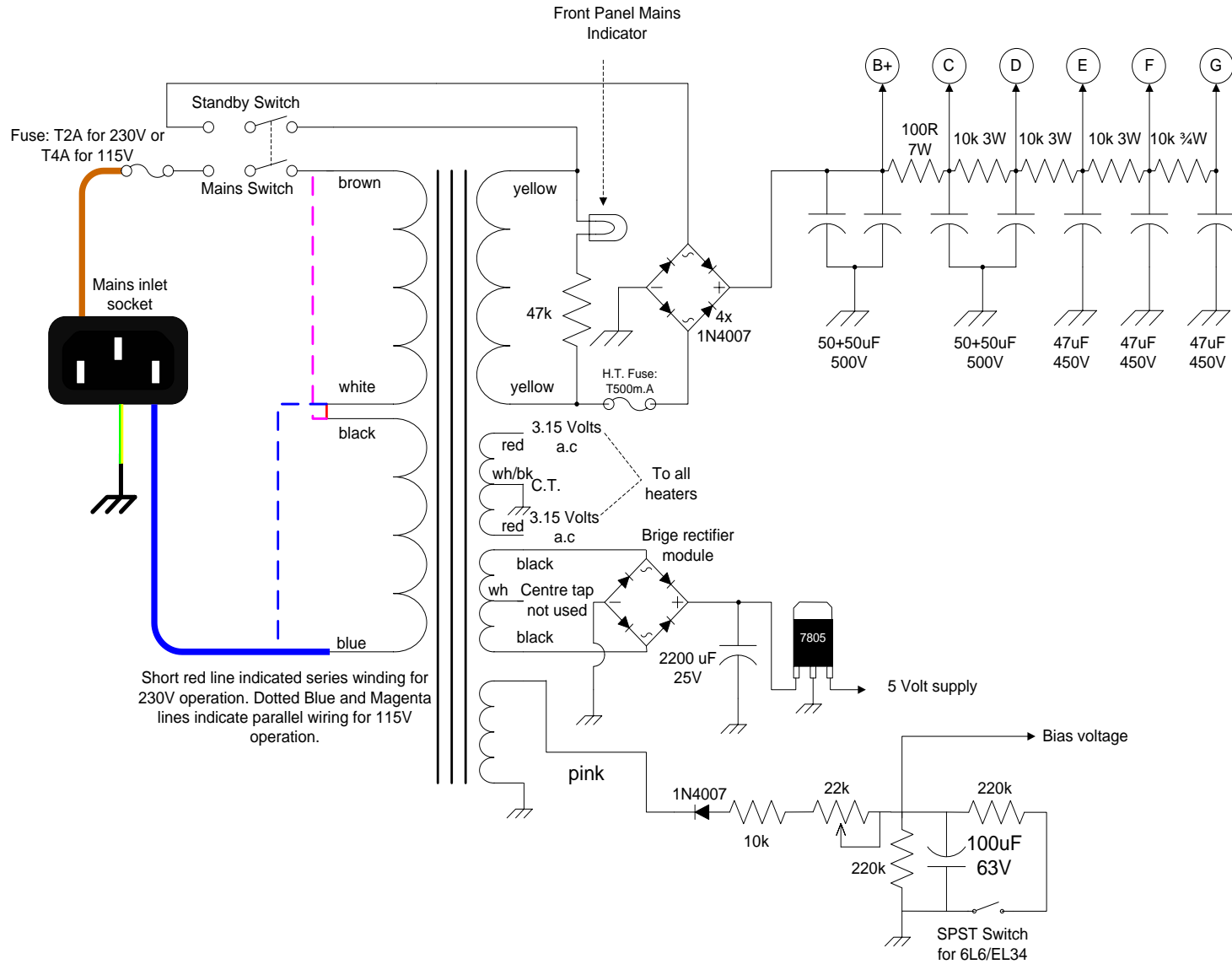
MK50II Output Stage including Phase Splitter

Circuit design and
drawing by Martin
Kidd 25/01/11



MK50II Power Supply

Circuit design and drawing by Martin Kidd 25/01/11



MK50II Mute Circuit

