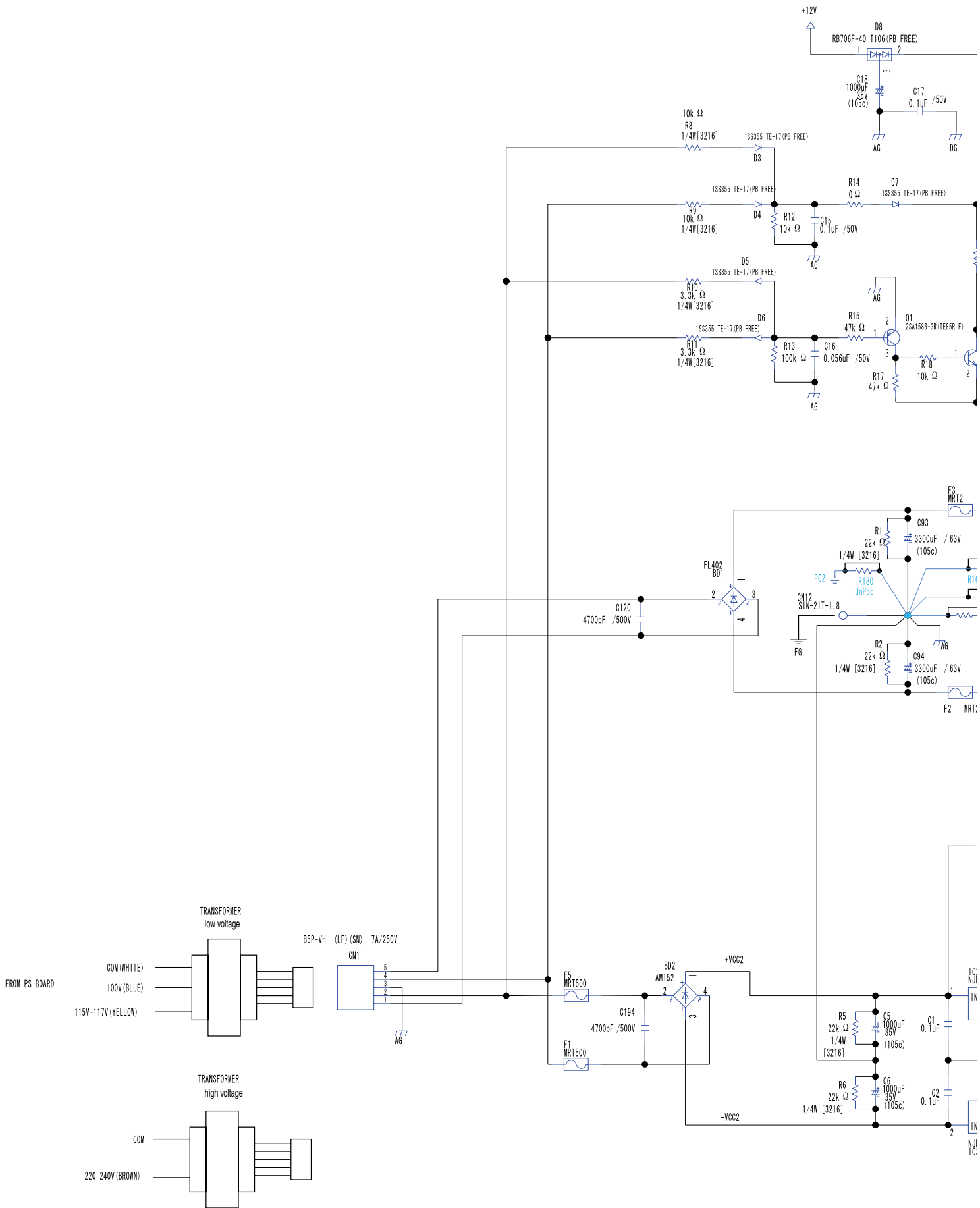
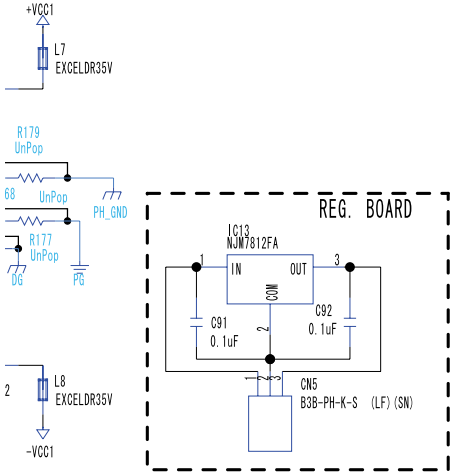
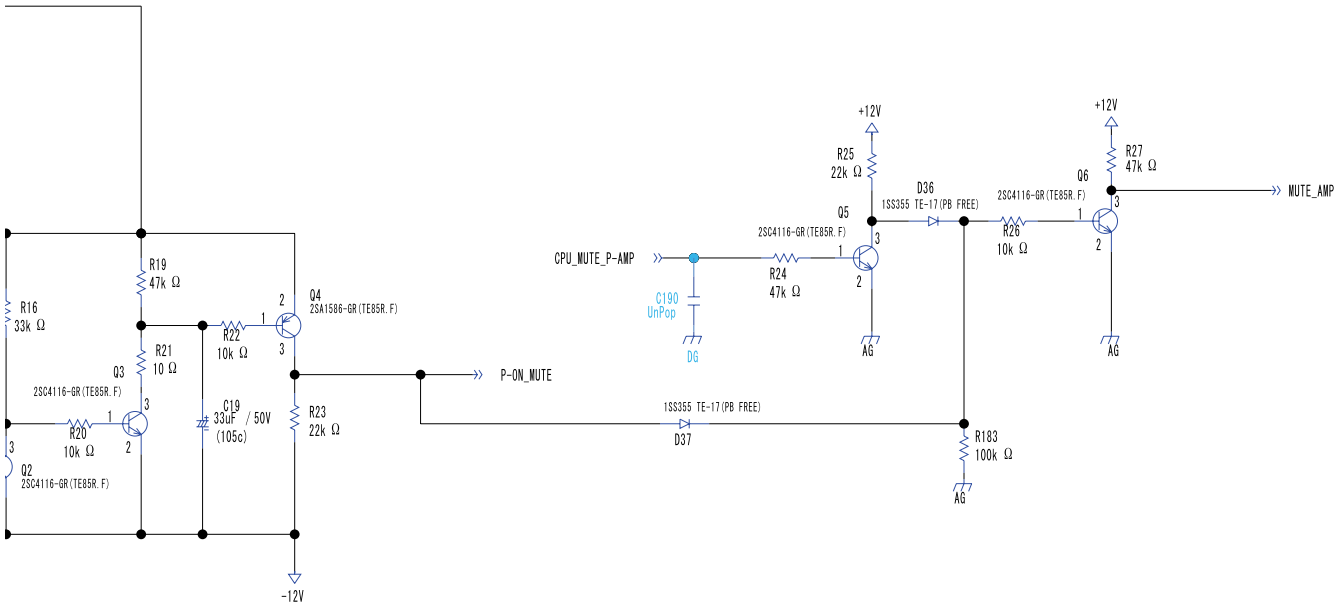
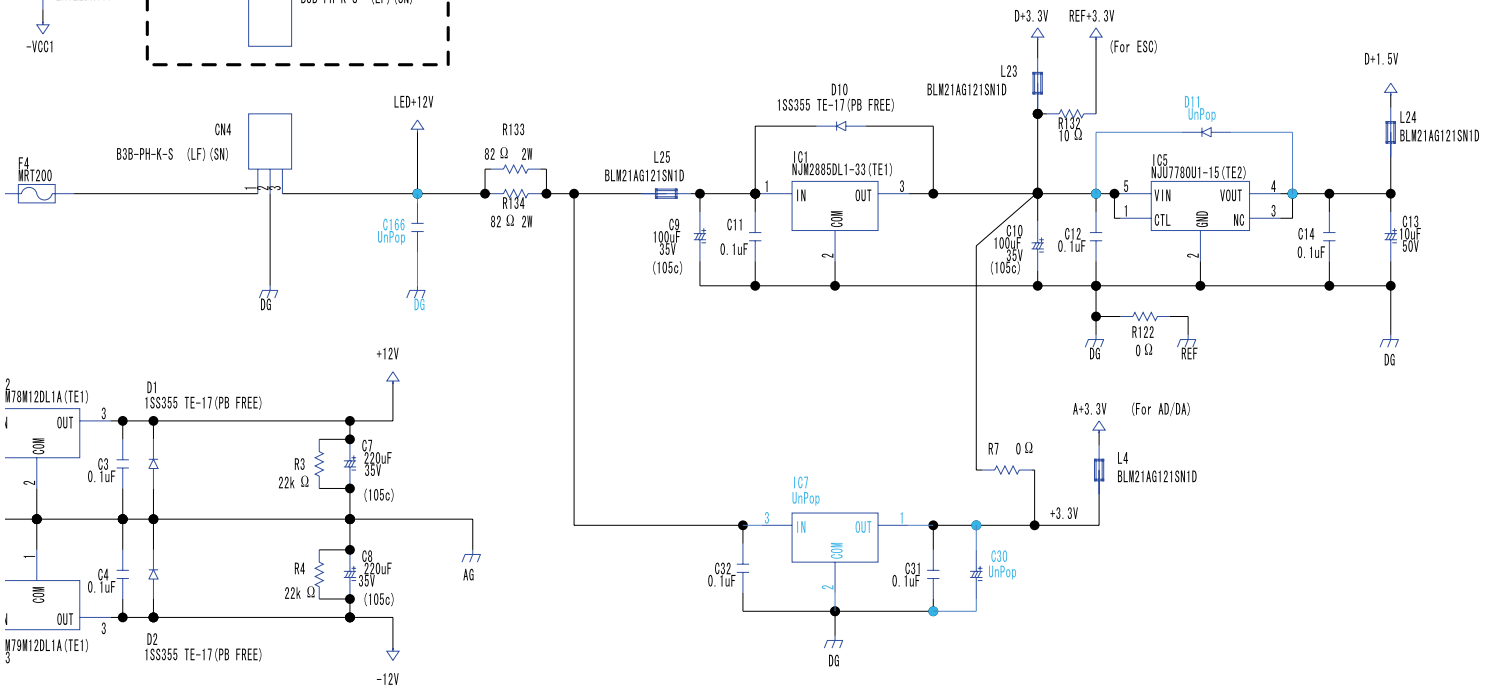


Circuit Diagram (Main Board: Power)



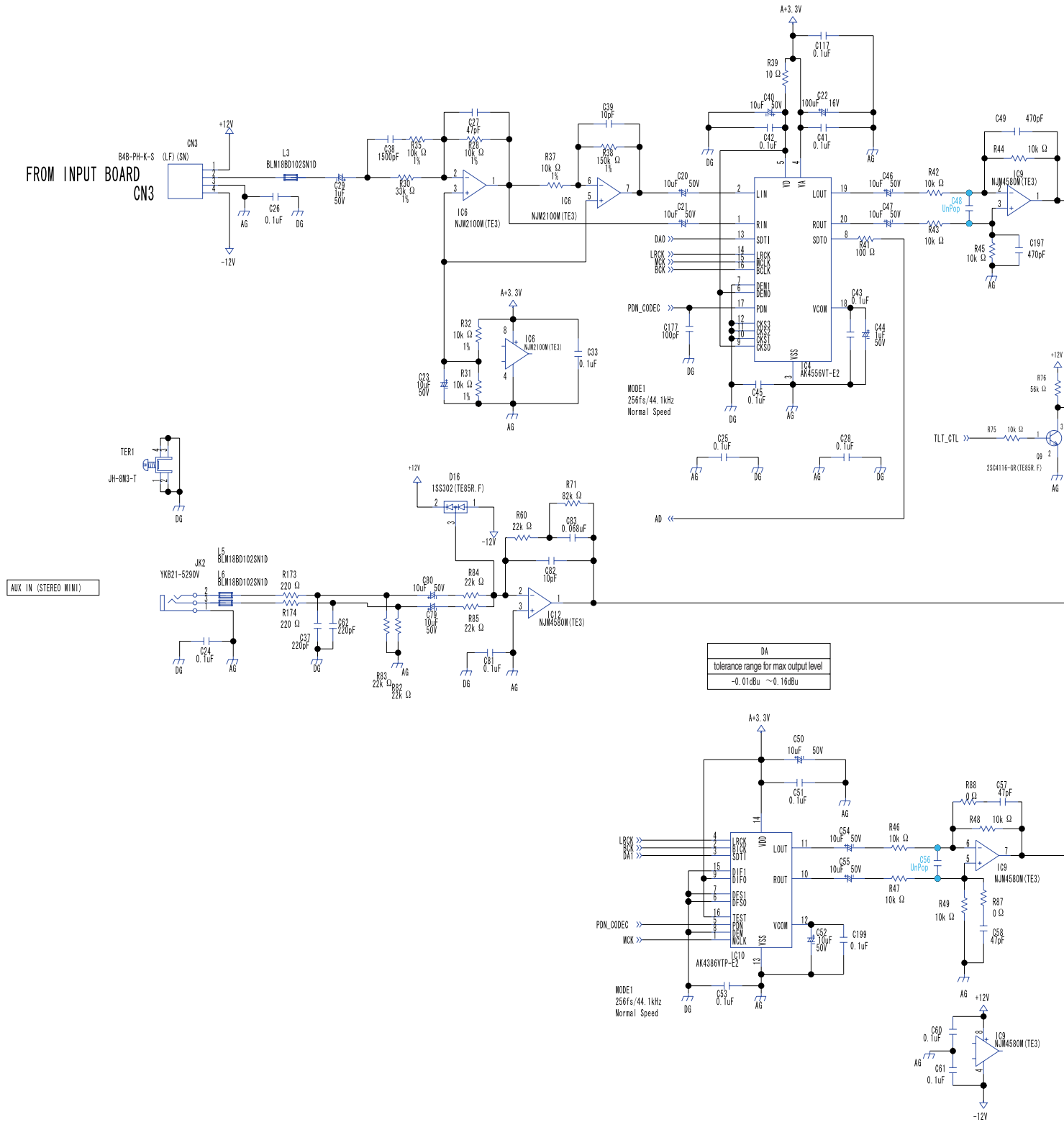


	Non-Clip Full Power		No Signal	
	220V	230V	230V	240V
	AC -20%	AC 0%	AC 0%	AC +15%
VCC1	26.2V	36.0V	45.0V	54.3V
VCC2	14.0V	19.3V	25.3V	29.2V

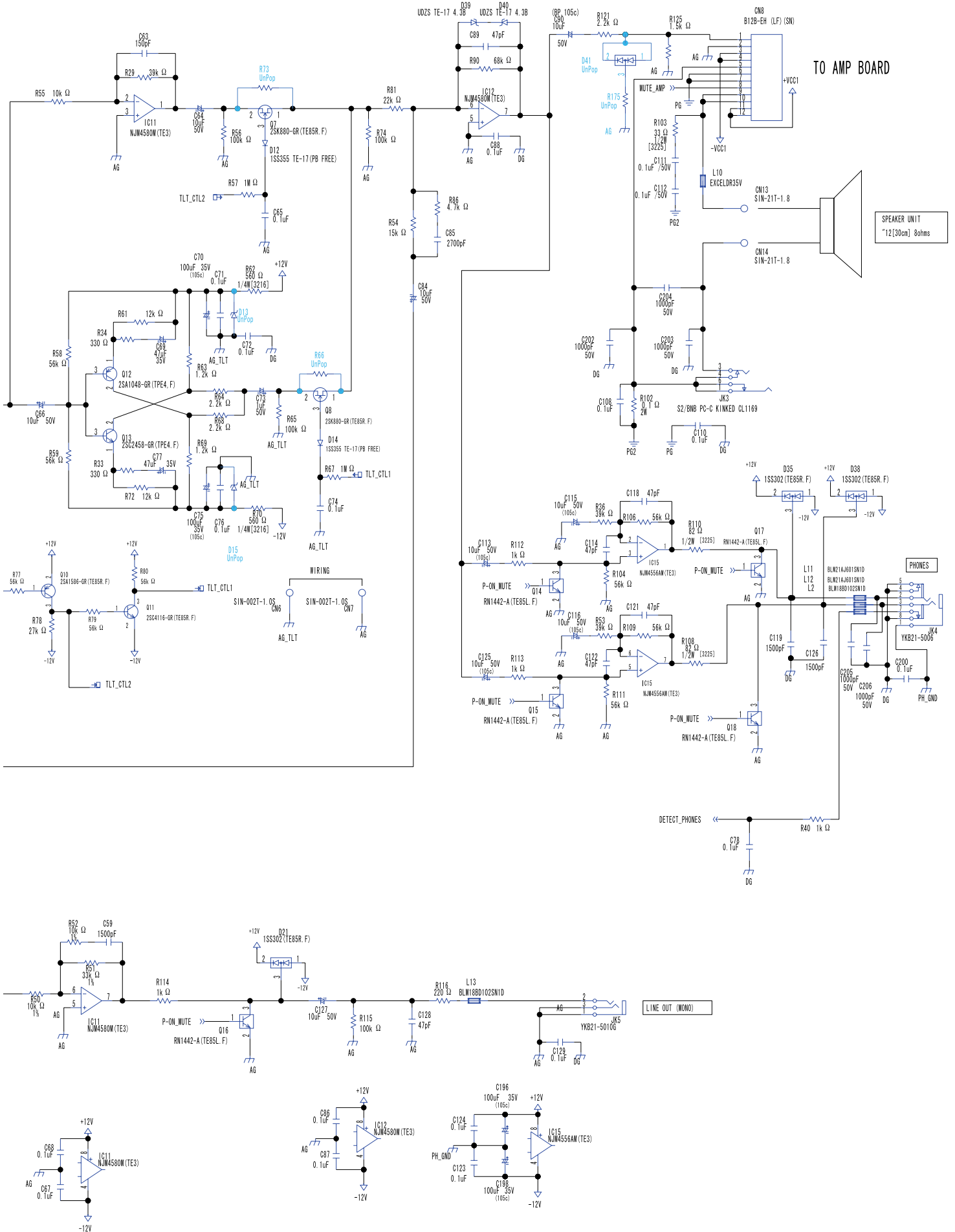


Circuit Diagram (Main Board: Analog)

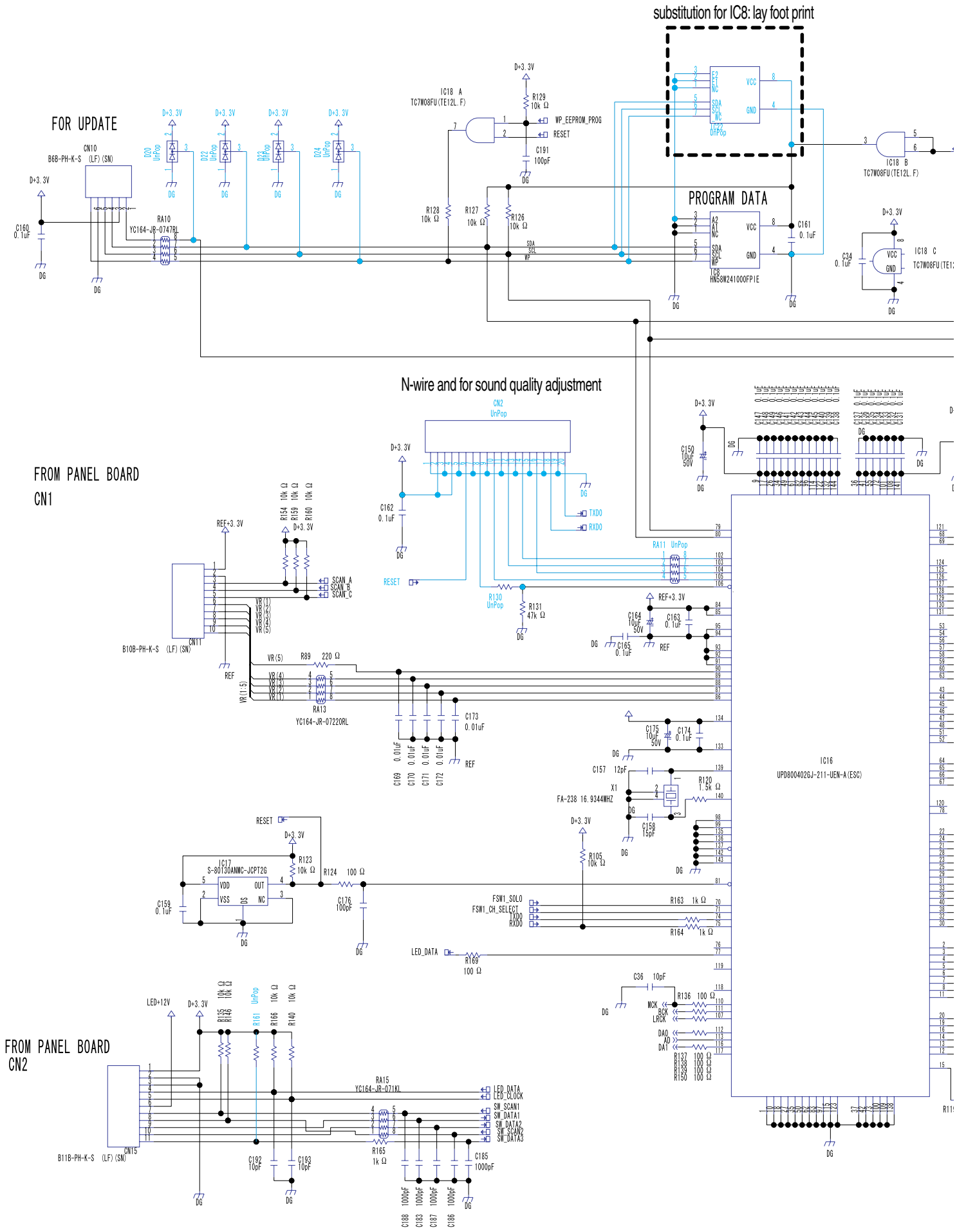
AD	DA
tolerance range for max input level	tolerance range for max output level
0.1148u ~ 0.7988u	0.1148u ~ 0.7988u

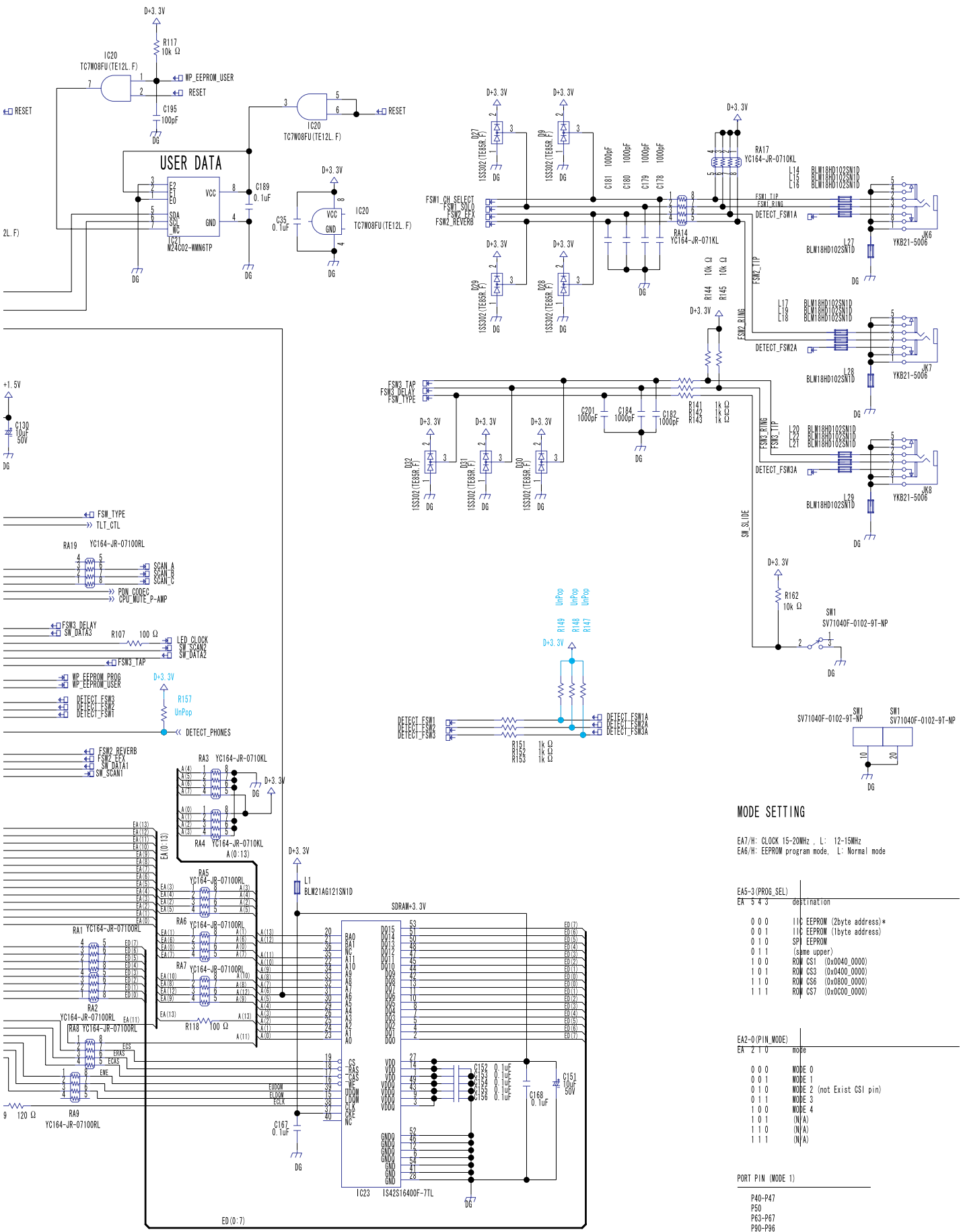


DA
tolerance range for max output level
-0.0148u ~ 0.1648u



Circuit Diagram (Main Board: Digital)





MODE SETTING

EA7/H: CLOCK 15-20MHz, L: 12-15MHz
 EA6/H: EEPROM program mode, L: Normal mode

EA5-3 (PROG_SEL)	operation
0 0 0	116 EEPROM (2byte address)*
0 0 1	116 EEPROM (1byte address)
0 1 0	SPI EEPROM
0 1 1	(same upper)
1 0 0	ROM CS1 (0x0040_0000)
1 0 1	ROM CS3 (0x0400_0000)
1 1 0	ROM CS6 (0x0800_0000)
1 1 1	ROM CS7 (0x0C00_0000)

EA2-0 (PIN_MODE)	mode
0 0 0	MODE 0
0 0 1	MODE 1
0 1 0	MODE 2 (not Exist CSI pin)
0 1 1	MODE 3
1 0 0	MODE 4
1 0 1	(N/A)
1 1 0	(N/A)
1 1 1	(N/A)

PORT PIN (MODE 1)
 P40-P47
 P50
 P63-P67
 P90-P96

Circuit Diagram (AMP Board)

