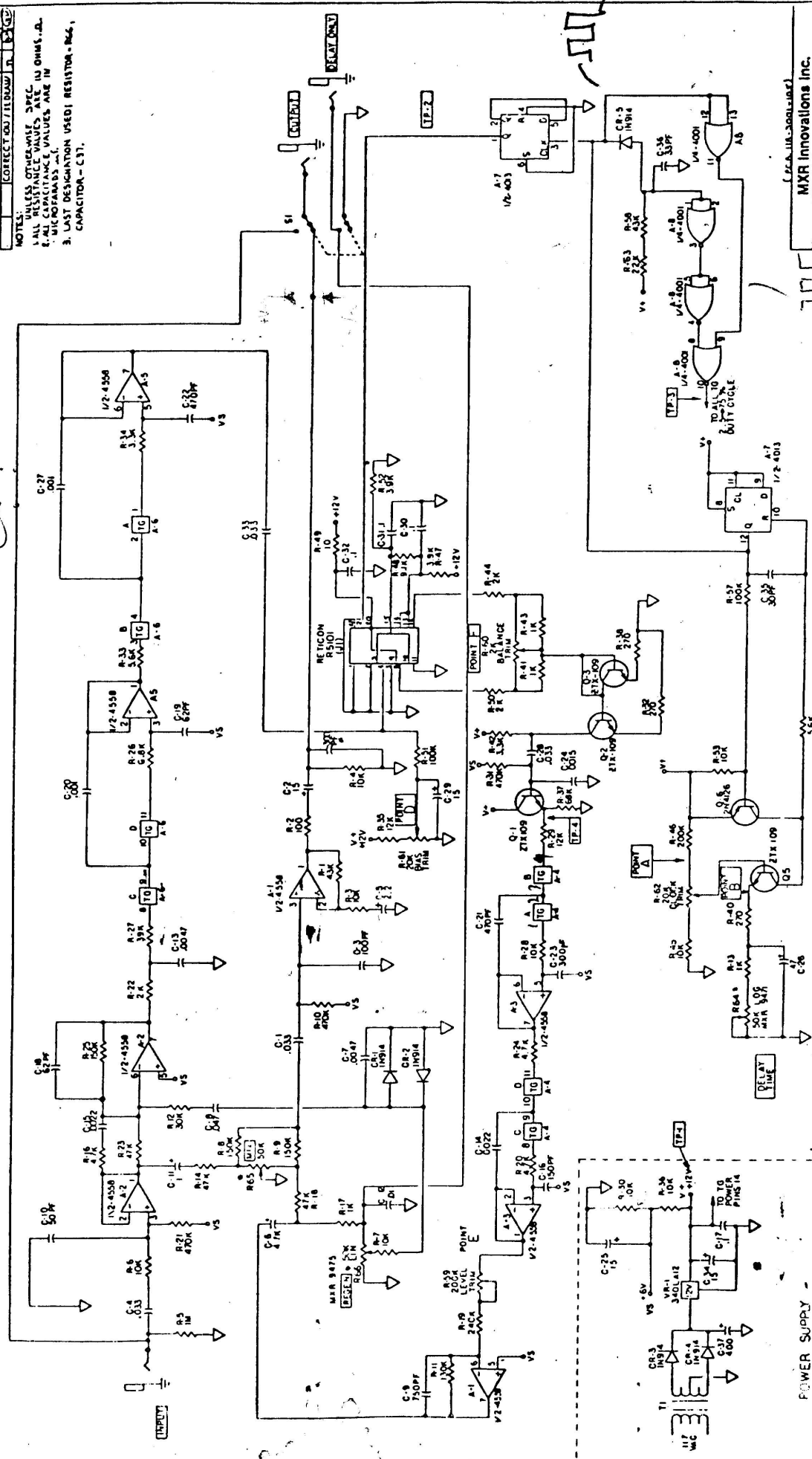


979 *[Handwritten Signature]*

REV	DATE	BY	DESCRIPTION
1			INITIAL DESIGN
2			CIRCUIT CHANGE
3			REVISION
4			CIRCUIT CHANGE
5			CONNECTION CHANGE
6			CONNECTION CHANGE

NOTES:
 1. ALL RESISTANCE VALUES ARE IN OHMS...
 2. ALL CAPACITANCE VALUES ARE IN...
 3. LAST DESIGNATION USED: RESISTOR - R66,
 CAPACITOR - C31.



REV	DATE	BY	DESCRIPTION
1			INITIAL DESIGN
2			CIRCUIT CHANGE
3			REVISION
4			CIRCUIT CHANGE
5			CONNECTION CHANGE
6			CONNECTION CHANGE

MXR Innovations Inc.
 (L.P.A. U.S. 300-1082)
 1/2-79
 SCHEMATIC DIAGRAM
 ANALOG DELAY
 1/2-4001

NOTE:
 1. TRANSMISSION GATE
 4 IN 4018 PACKAGE. CLOCK U3-266.6 KHZ
 300-115 US DELAY

SEE MECHANICAL ASSEMBLY WIRING DRAWING.

POWER SUPPLY