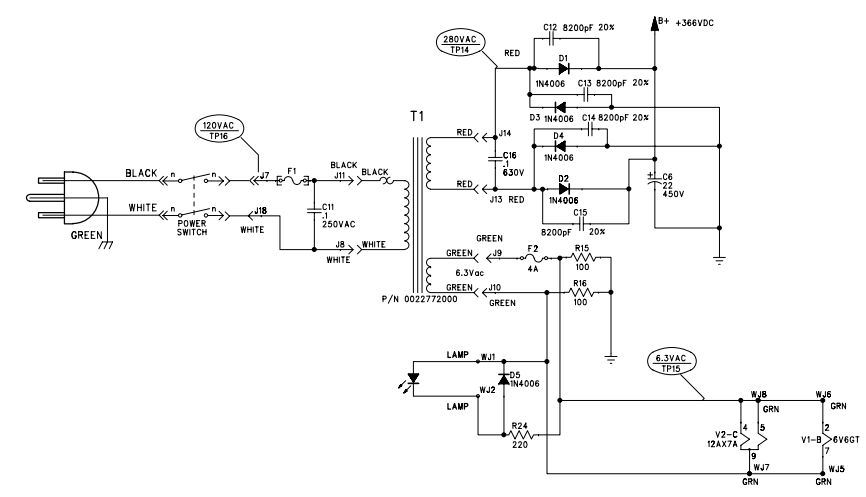
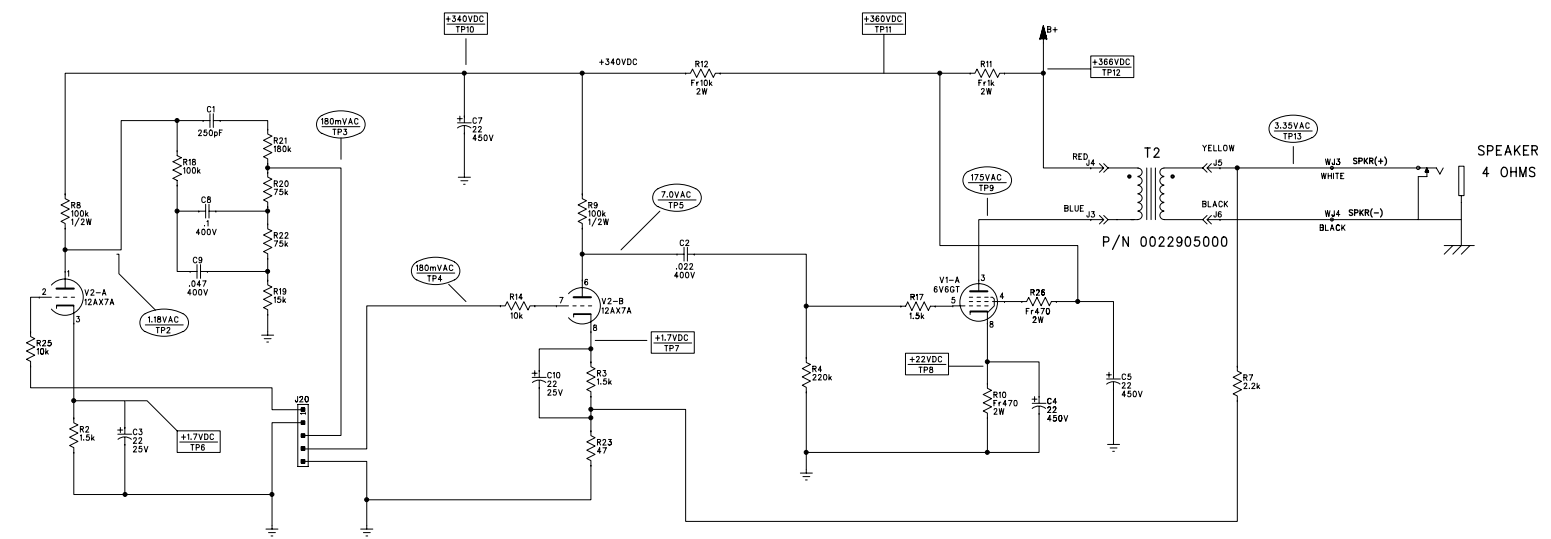
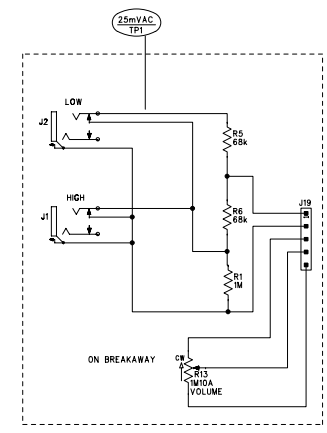


8 7 6 5 4 3 2 1

REVISIONS			
REV.	DESCRIPTION	DATE	APPROVED
A	PR722	05-MAY-06	LEL

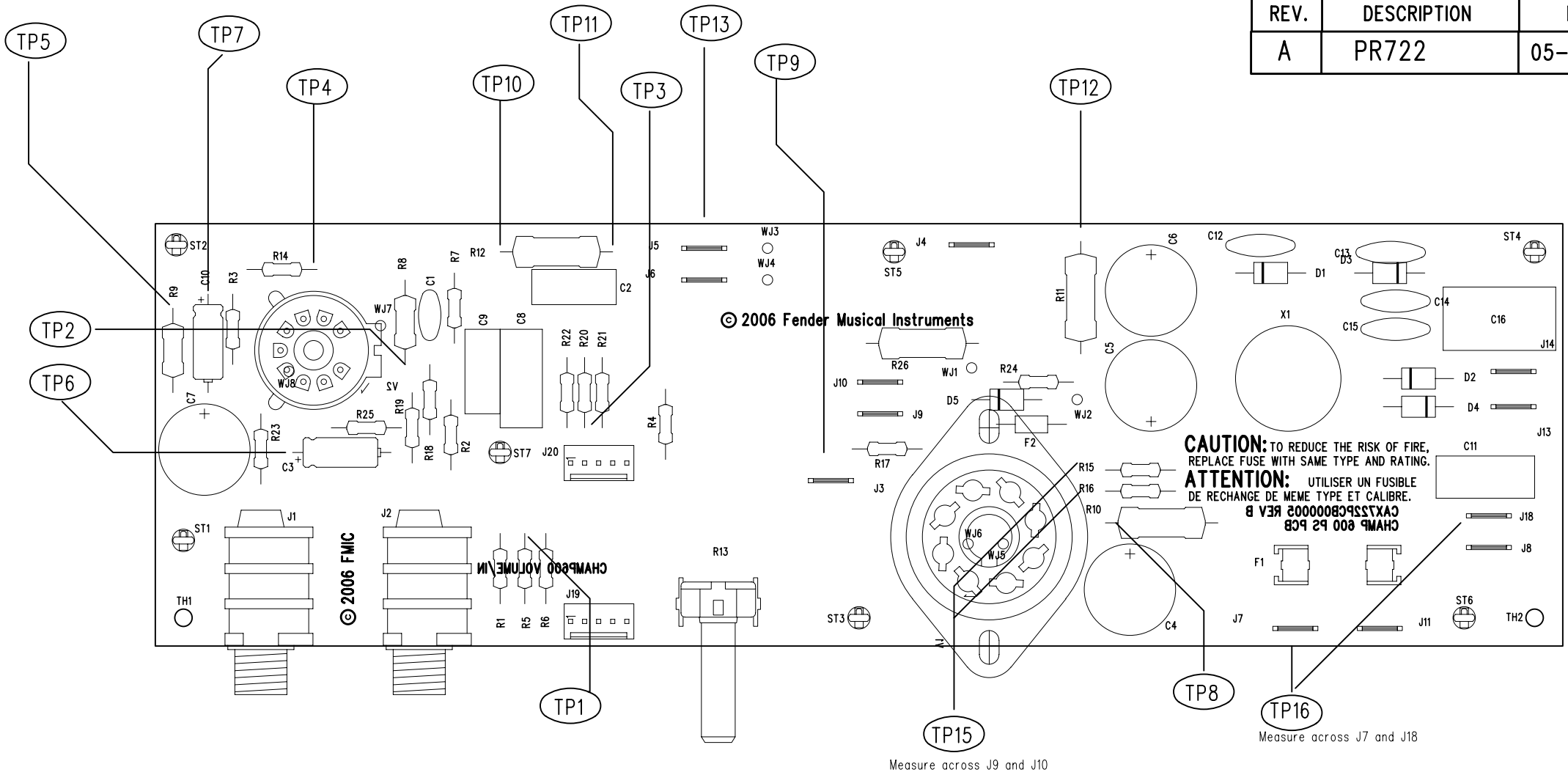


- 6. ALL AC VOLTAGES ARE +/- 10%.
 - 5. THIS SCHEMATIC IS FOR PCB FABRICATION P/N CAX722PCP000005 AND PCB ASSEMBLY P/N CAX722PCAO000005.
 - 4. ALL DC VOLTAGES ARE MEASURED WITH NO SIGNAL.
 - 3. ALL POLARIZED CAPACITORS IN uF, 20% OR BETTER; 50V MINIMUM.
 - 2. ALL UNPOLARIZED CAPACITORS IN uF, 10% OR BETTER; 50V MINIMUM. (POWER SUPPLY BYPASS CAPACITORS ARE 20%).
 - 1. ALL RESISTORS IN OHMS, 5%; 1/4W.
- NOTES: (UNLESS OTHERWISE NOTED)

THIS DOCUMENT CONTAINS INFORMATION OF A PROPRIETARY NATURE TO FENDER MUSICAL INSTRUMENTS AND IS SUBMITTED TO YOU IN CONFIDENCE AND SHALL NOT BE DISCLOSED OR TRANSMITTED TO OTHERS WITHOUT AUTHORIZATION FROM FENDER MUSICAL INSTRUMENTS.		Fender MUSICAL INSTRUMENTS Corona, CA U.S.A.	
CHECKED BY:	DATE:	TITLE: SERVICE DIAGRAM, COMBINED (schematic) CHAMPION 600 AMPLIFIER	
APPROVED BY:	DATE:	SIZE: D	DRAWING NUMBER: 722CAX003
DRAWN: LORENZEN ENGR: LORENZEN		REV.:	A
DATABASE FILE: CAX722PCB000005.PCB		RELEASE DATE: 05-MAY-06	SHEET: 1 OF 2


8 7 6 5 4 3 2 1

REVISIONS			
REV.	DESCRIPTION	DATE	APPROVED
A	PR722	05-MAY-06	L E L



FILM/DWG: SERVICE DIAGRAM
 DATABASE: CAX722PCB000005.PCB DATE: 05-MAY-06

NOTES: (UNLESS OTHERWISE NOTED)

THIS DOCUMENT CONTAINS INFORMATION OF A PROPRIETARY NATURE TO FENDER MUSICAL INSTRUMENTS AND IS SUBMITTED TO YOU IN CONFIDENCE AND SHALL NOT BE DISCLOSED OR TRANSMITTED TO OTHERS WITHOUT AUTHORIZATION FROM FENDER MUSICAL INSTRUMENTS.		 MUSICAL INSTRUMENTS Corona, CA U.S.A.	
CHECKED BY: _____ DATE: _____		TITLE: SERVICE DIAGRAM, COMBINED (PCB assy) CHAMPION 600 AMPLIFIER	
APPROVED BY: _____ DATE: _____		SIZE B	DRAWING NUMBER 722CAX003
DRAWN: PKCORBIN ENGR: LORENZEN		REV. A	
DATABASE FILE: CAX722PCB000005.PCB		05-MAY-06	SHEET 2 OF 2