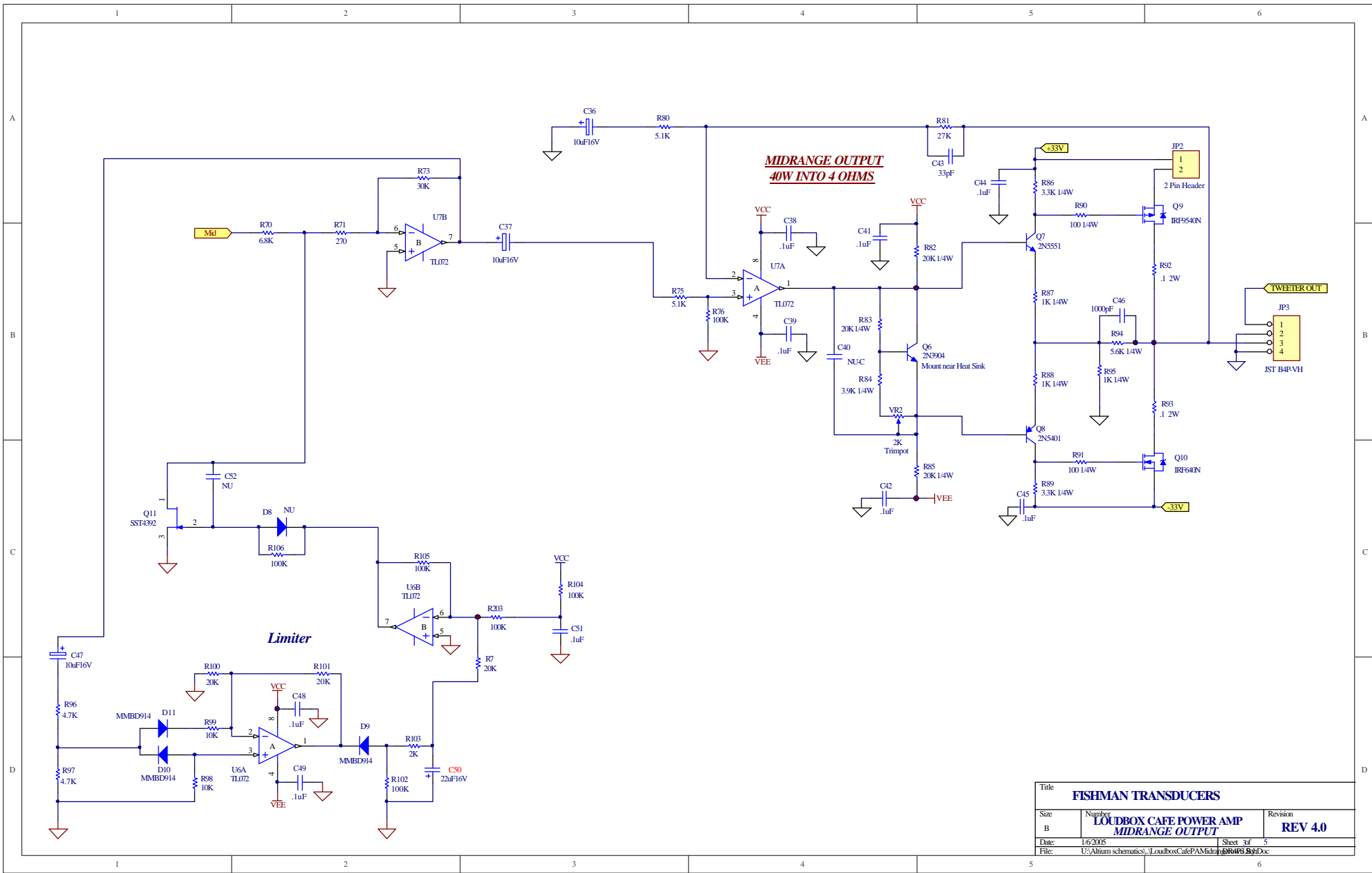
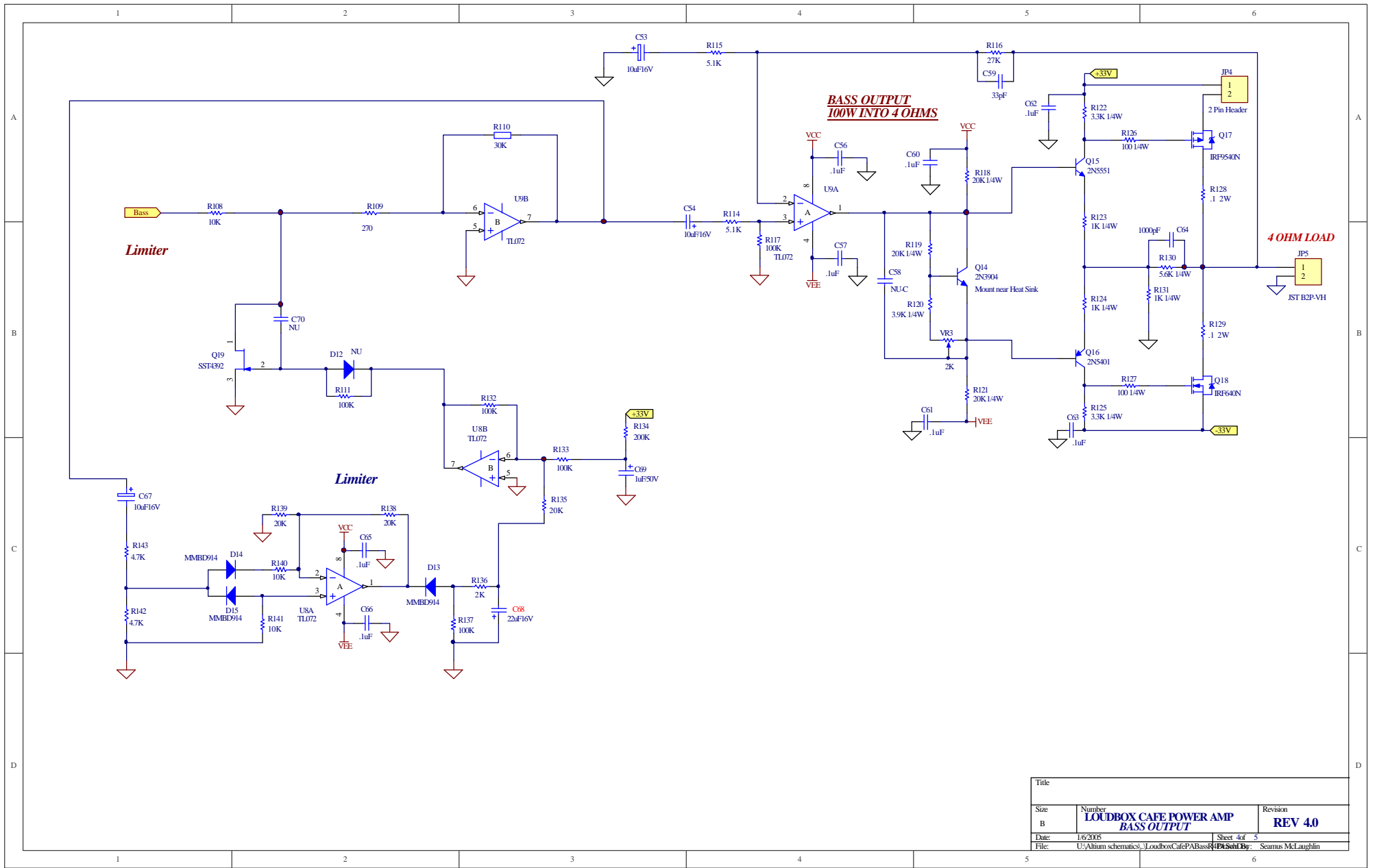


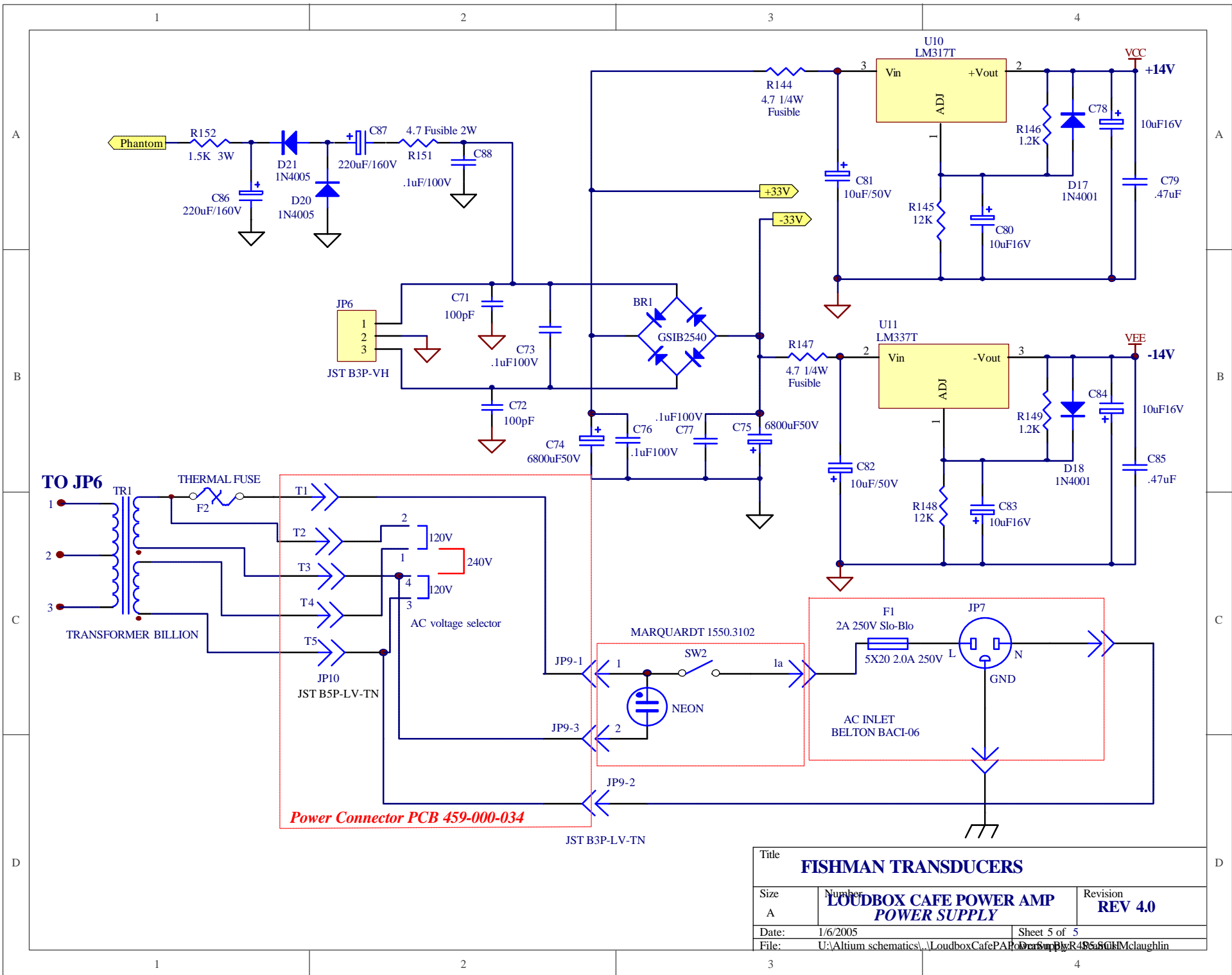
Title			FISHMAN TRANSDUCERS		
Size	Number	Revision			
B	LOUDBOX CAFE POWER AMP	REV 4.0			
Date: 1/6/2005			Sheet 3 of 5		
File: U:\Album schematics\... Loudbox Cafe PAT Tweeter			BR#0581 DocSeamus McLaughlin		



Title		
FISHMAN TRANSDUCERS		
Size	Number	Revision
B	LOUDBOX CAFE POWER AMP MIDRANGE OUTPUT	REV 4.0
Date:	1/6/2005	Sheet 3 of 5
File:	U:\Altium schematics\..._LoudboxCafePAMidrangeRev4.0.BrdDoc	



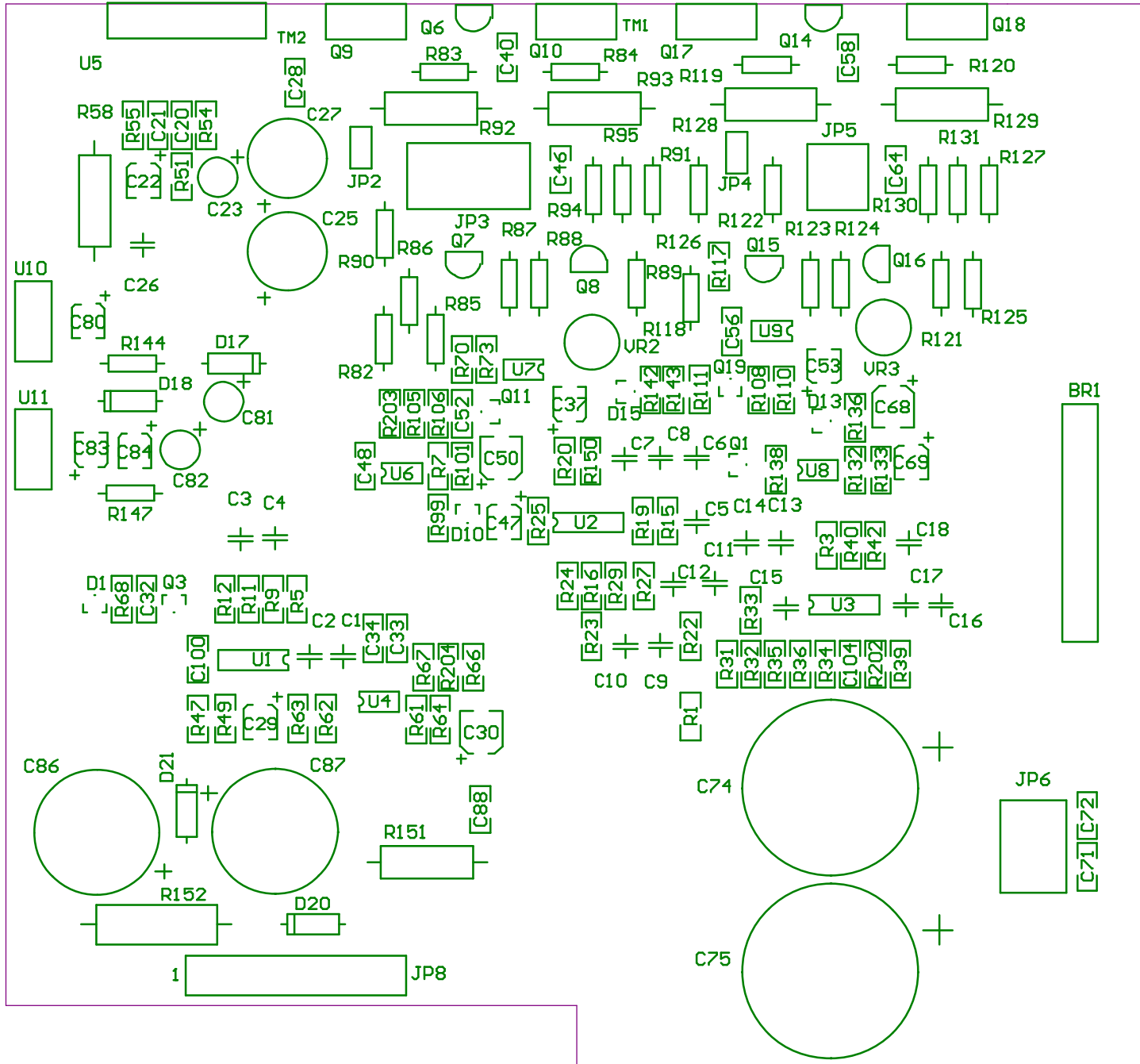
Title		
Size	Number	Revision
B	LOUDBOX CAFE POWER AMP BASS OUTPUT	REV 4.0
Date:	1/6/2005	Sheet 4 of 5
File:	U:\Album schematics\..._LoudboxCafePA Bass Output Rev 4.0	



Title		
FISHMAN TRANSDUCERS		
Size	Number	Revision
A	LOUDBOX CAFE POWER AMP POWER SUPPLY	REV 4.0
Date:	1/6/2005	Sheet 5 of 5
File:	U:\Altium schematics\ Loudbox Cafe Power Supply R485808Mclaughlin	

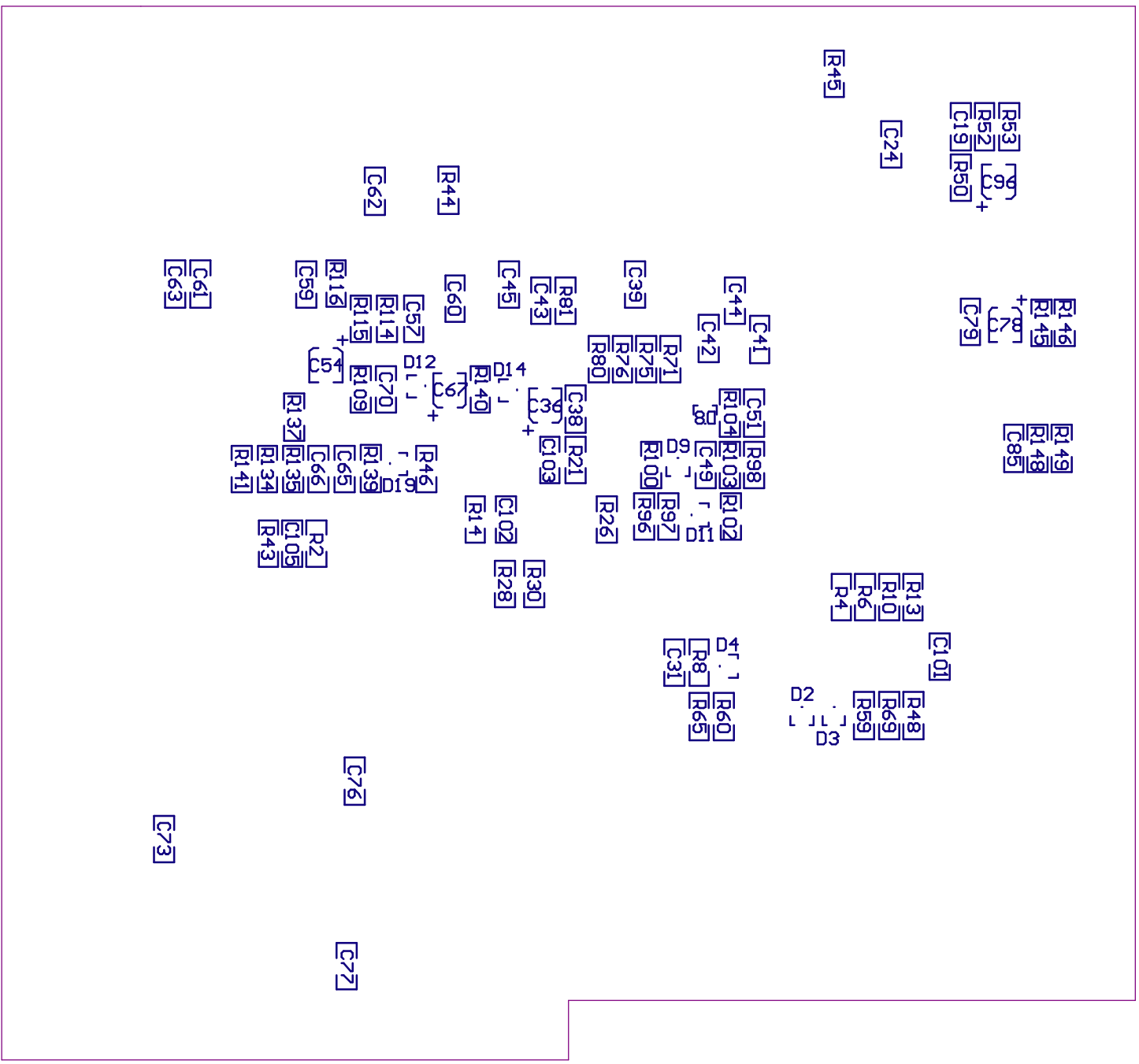
MATERIAL: .062 FR-4 3 OZ COPPER
GREEN SOLDERMASK

5700 (mil)



5300 (mil)

<200 mil>



<1mil> 0063