



Schematic set

CA Series power amplifiers

May 2000 (current production)

- 1. Front display board**
- 2. Rear Input connector board**
- 3. CA6 / CA9 Preamp**
- 4. CA6 / CA9 / CA12 Power supply**
- 5. CA6 / CA9 Output power module**

6

5

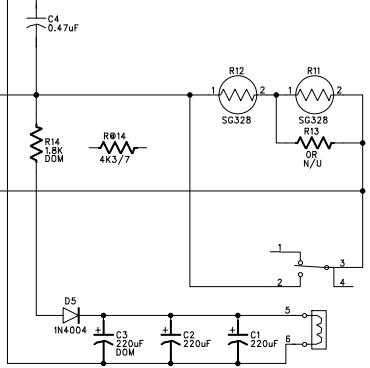
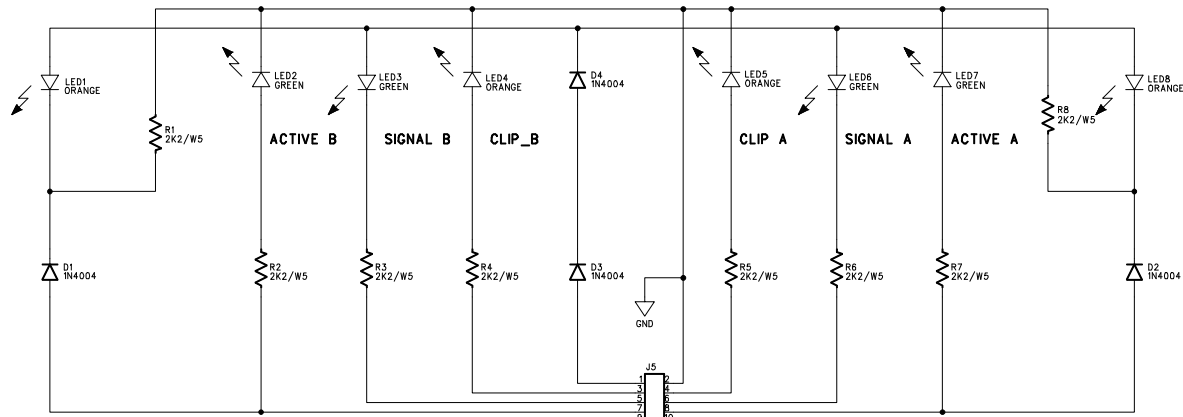
4

3

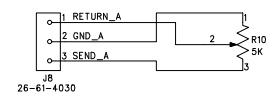
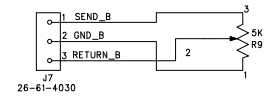
2

1

REVISION RECORD			
LTR	ECO NO:	APPROVED:	DATE:



TST-105-04-L-D-R



NOTES:
R14 4.3K/7W EXPORT



TITLE: CA SERIES DISPLAY			
DRAWN:	DATED:	CODE:	REV:
CHECKED:	DATED:	C	5
QUALITY CONTROL:	DATED:	DRAWING NO: 21A1925-05	REV: 5
RELEASED:	DATED:	SCALE:	SHEET: 1 OF 1

6

5

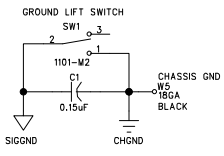
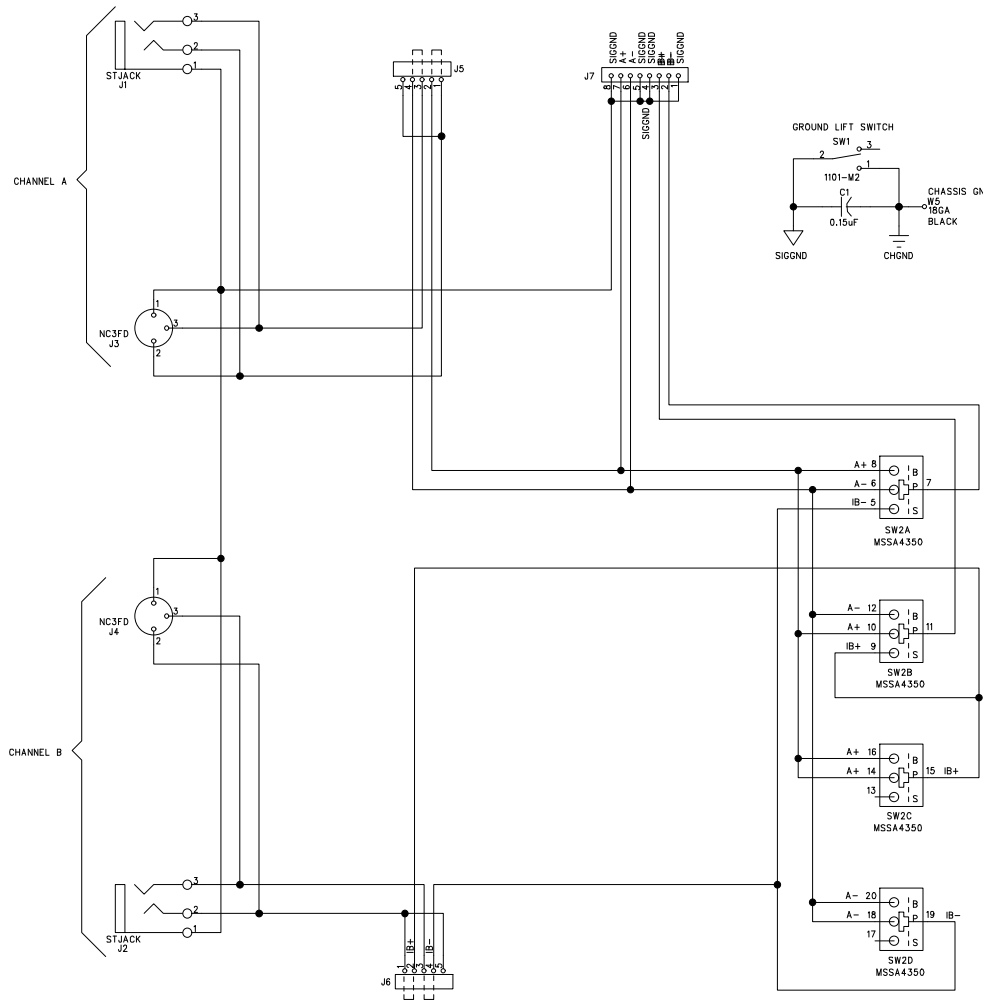
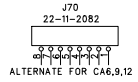
4

3

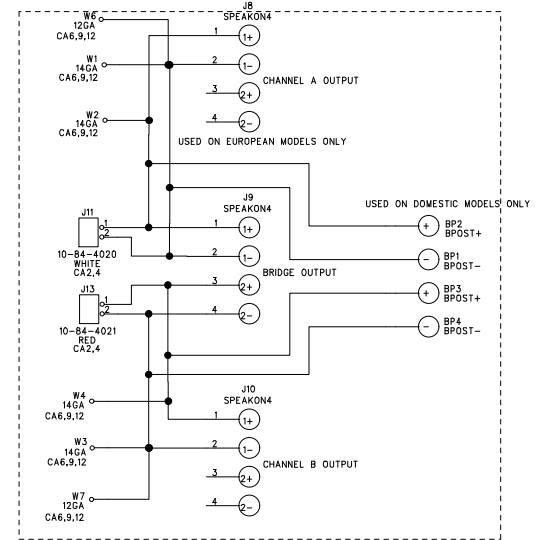
2

1

REVISION RECORD			
LTR	ECO NO:	APPROVED:	DATE:



MODE SWITCH
 B= BRIDGE MODE
 P= PARALLEL MODE
 S= STEREO MODE



TITLE: CA 2,4,6,9, & 12 INPUT			
CODE:	SIZE: C	DRAWING NO: 2410-01	REV: 01
SCALE:		SHEET: 1 OF 2	

DRAWN: BE	DATED: 11/28/94
CHECKED:	DATED:
QUALITY CONTROL:	DATED:
RELEASED:	DATED:

D

C

B

A

D

C

B

A

6

5

4

3

2

1

REVISION RECORD			
LTR	ECO NO:	APPROVED:	DATE:

D

D

C

C

B

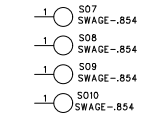
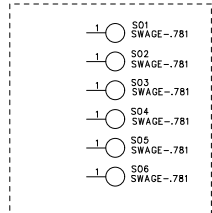
B

A

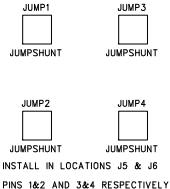
A

PCB1
25C2410-01
69000275

USED ON EUROPEAN MODELS ONLY



ON ALL MODELS OTHER THAN
EUROPEAN (NO SPEAKERS)
INSTALL THIS STANDOFF
SWAGE--938



CA6,9,12

WIRE128
WIRE SET INPUT CABLE ASSY CHANNEL A



CA6,9,12

WIRE129
WIRE SET INPUT CABLE ASSY CHANNEL B



CA2,4,6,9,12

WIRE130
WIRE SET INPUT BOARD GROUND CABLE



CA6,9,12

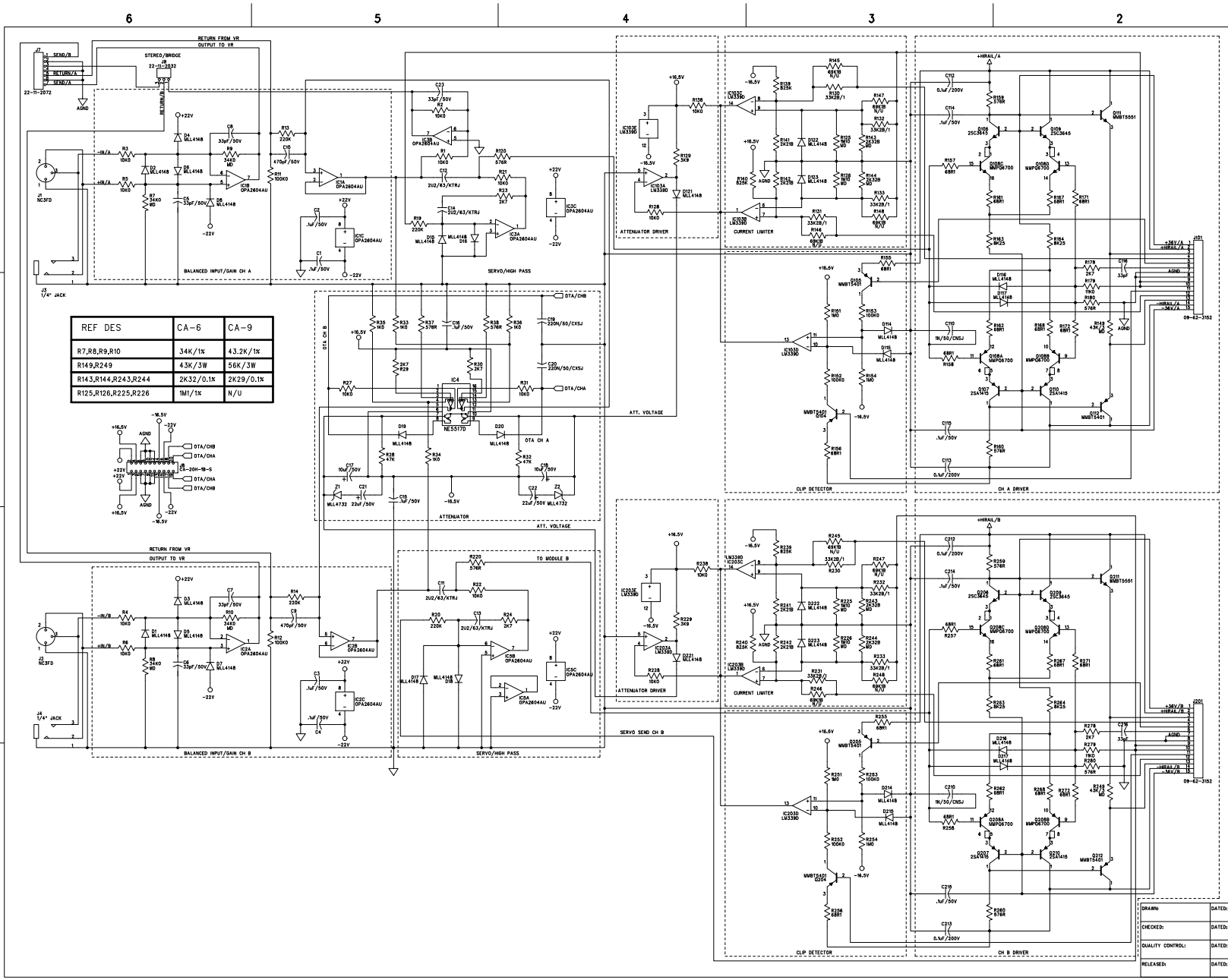
WIRE138
WIRE SET INPUT TO P/S GROUND CABLE

CREST AUDIO

TITLE: CA 2,4,6,9 & 12 INPUT

DRAWN:	DATED:	CODE:	SIZE: C	DRAWING NO: 2410-01	REV: 01
CHECKED:	DATED:	QUALITY CONTROL:	DATED:	RELEASED:	DATED:

SCALE: SHEET: 2 OF 2



REVISION RECORD			
LTR	EGD NO.	APPROVED:	DATE:

REF DES	CA-6	CA-9
R7,R8,R9,R10	34K/1X	43.2K/1X
R149,R249	43K/3W	56K/3W
R143,R144,R243,R244	2K32/0.1X	2K29/0.1X
R125,R126,R225,R226	1M/1X	N/U

CRESTAUDIO

CA6, CA9 PREAMP

TITLE:	CA6, CA9 PREAMP		
DRAWN:	DATE:	CODE:	SIZE:
CHECKED:	DATE:	DRAWING NO:	REV:
QUALITY CONTROL:	DATE:	1915-03.SCH	3
RELEASED:	DATE:	SCALE:	SHEET: 1 OF 1

6

5

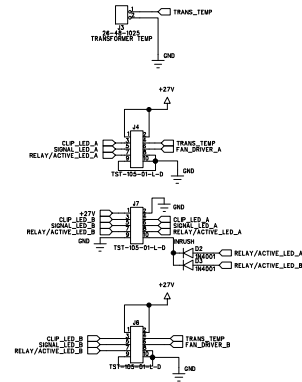
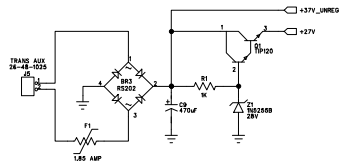
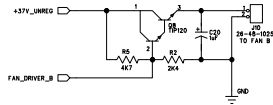
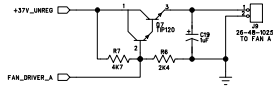
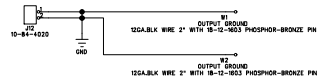
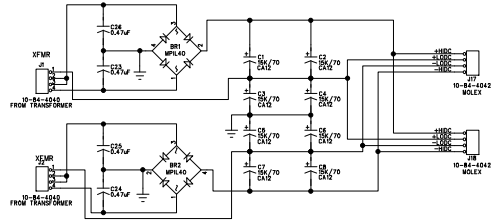
4

3

2

1

REVISION RECORD			
LTR	ECO NO.	APPROVED:	DATE:



CRESTAUDIO

TITLE: CAK/9/12 POWER SUPPLY

DRAWN: BE	DATE: 2/94	CODE:	SIZE:	DRAWING NO:	REV: 03
CHECKED: FR	DATE: 7-8-95				
QUALITY CONTROL:	DATE:				
RELEASED:	DATE:	SCALE:		SHEET: 1 OF 1	

6

5

4

3

2

1

REVISION RECORD			
LTR	ECO NO.	APPROVED:	DATE:



CA6,9,12 HEATSINK FOR BRIDGE RECT.



FOR W1 & W2 TO I/O PCB



001 FOR BRIDGE RECTIFIER HEATSINK
SCREW: #14x0.8 ST TYPE 8 SELF-TAP PAN HD PHL ZINC



001 SCREW: #10x0.625
FOR BRIDGE RECTIFIER HEATSINK



07P1 FOR BRIDGE RECTIFIER HEATSINK



07P2 FOR BRIDGE RECTIFIER HEATSINK



07P3 FOR BRIDGE RECTIFIER HEATSINK
SCREW: 10-32x3/4 PAN HD PHL ZINC BLACK



07P4 FOR BRIDGE RECTIFIER HEATSINK
SCREW: 10-32x3/4 PAN HD PHL ZINC BLACK



HS602SPB



NUT_4-46 KEP



SCR4-4015/M



HS602SPB



NUT_4-46 KEP



SCR4-4015/M



HS602SPB



NUT_4-46 KEP



SCR4-4015/M

HEATSINKS AND HARDWARE MOUNT TO 07, 08, 01

MODEL DEPENDENT CAPACITORS

	CA6	CA9	CA12
C1,2=	C301 	C301 	C302
C3,4=	C304 	C303 	C304
C5,6=	C305 	C305 	C306
C7,8=	C308 	C307 	C308



EDGE PROTECTOR_2
USED ON HEATSINK TO PROTECT WIRES



EDGE PROTECTOR_2
USED ON HEATSINK TO PROTECT WIRES



EDGE PROTECTOR_2
USED ON HEATSINK TO PROTECT WIRES



DRAWN:		DATED:		TITLE: CA6/9/12 POWER SUPPLY CA6_9_12CAP.sch	
CHECKED:	DATED:	CODE:	SIZE:	DRAWING NO:	REV:
QUALITY CONTROL:	DATED:	SCALE:		SHEET: 2 of 2	
RELEASED:	DATED:				

6

5

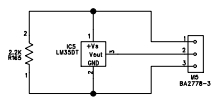
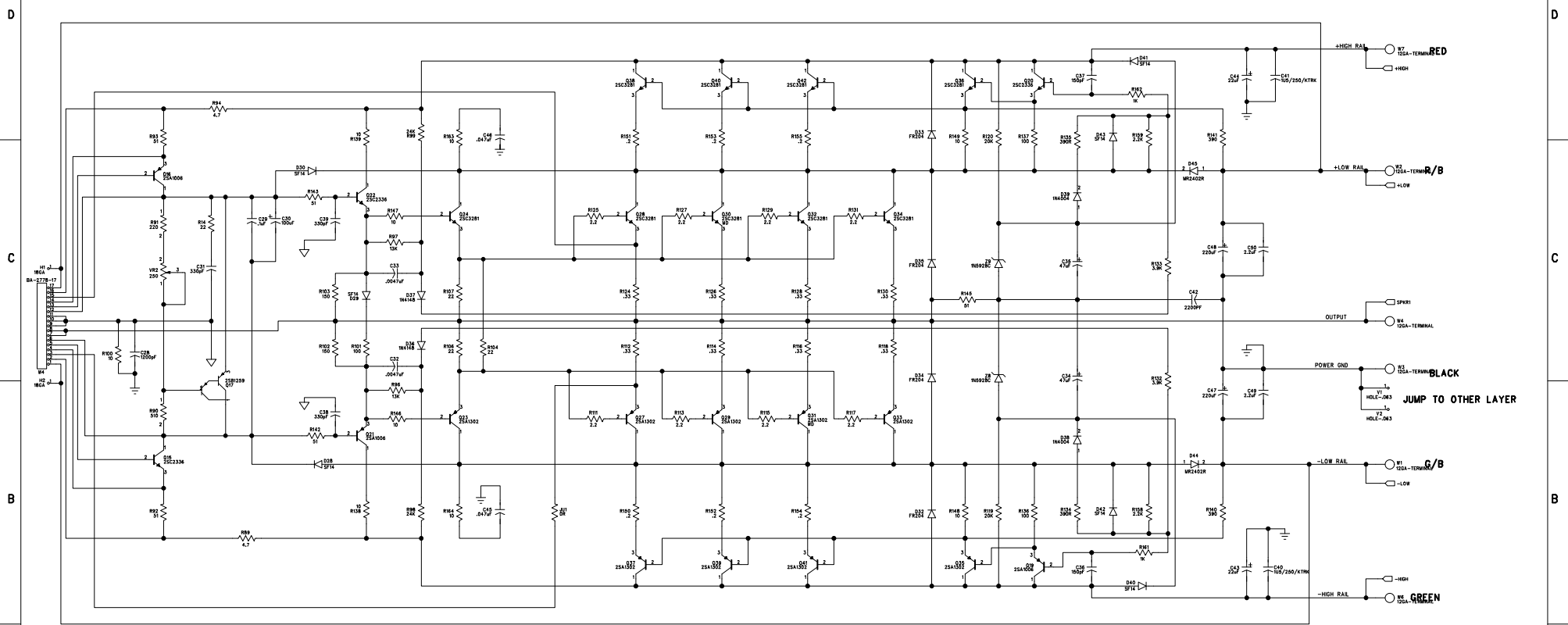
4

3

2

1

REVISION RECORD			
LTN	ECO NO.	APPROVED:	DATE:



Q30 & Q31 NOT INSTALLED ON CA6

CRESTAUDIO

CA 6, 9 OUTPUT MODULE

DRAWN:	DATE:	8/15/94
CHECKER:	DATE:	
QUALITY CONTROL:	DATE:	
RELEASED:	DATE:	

TITLE:	CA 6, 9 OUTPUT MODULE		
CODE:	SIZE:	DRAWING NO:	REV:
D		2949-01	0
SCALE:	SHEET 1 OF 2		

6

5

4

3

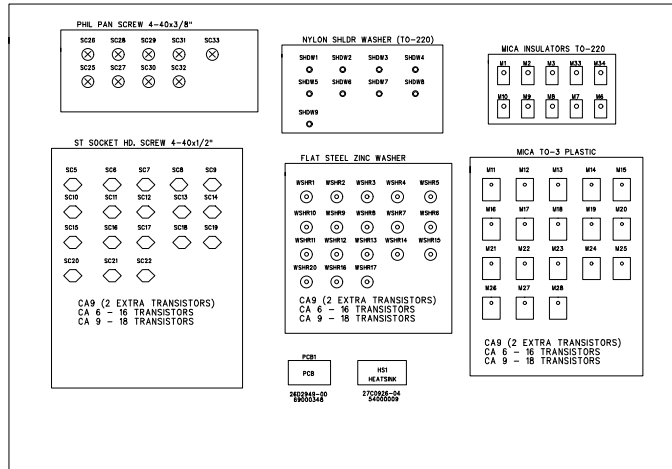
2

1

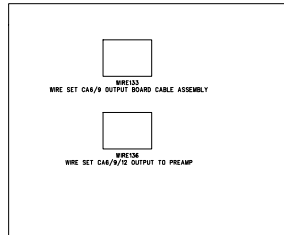
REVISION RECORD			
LTR	ECO NO.	APPROVED	DATE

REV-1 BOARDS WERE NOT SENT OUT
 CA 6,9 OUTPUT WAS 7001 OUTPUT PCB
 SCHEMATIC MATCHES REV-1 EXCEPT FOR VALUES
 LAYOUT WAS DONE USING OLD DATABASE
 SEVERAL RESISTOR PINS 1 & 2 ARE SWAPPED BETWEEN SCHEMATIC AND PCB
 RESISTOR PINS FIXED ON REV-1

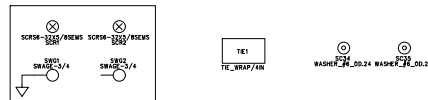
HEATSINK MODULE ASSY.



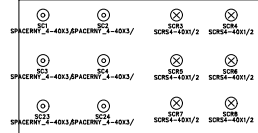
WIRE ASSEMBLY



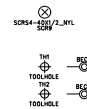
FASTEN PREAMP TO OUTPUT PCB



FASTEN OUTPUT PCB TO HEATSINK



LW35DP



TITLE:
CA 6. 9 OUTPUT MODULE

DRAWN:	DATED:	CODE:	SIZE:	DRAWING NO:	REV:
CHECKED:	DATED:	D		2949-00	0
QUALITY CONTROL:	DATED:				
RELEASED:	DATED:				
SCALE:					SHEET: 2 OF 2