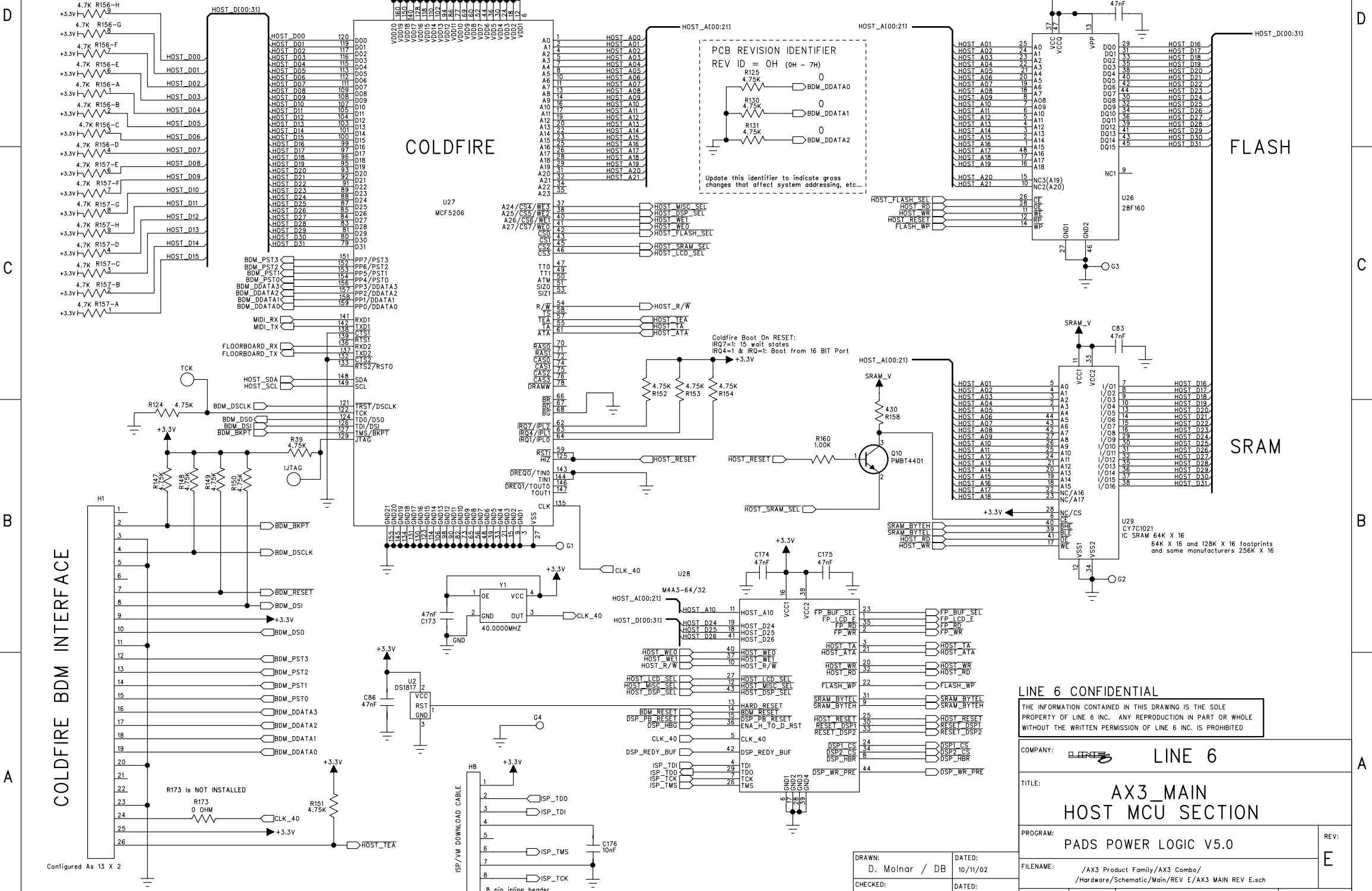


ECOs INCLUDED ON THIS SCHEMATIC/PCB REVISION		
ECO NO:	DATE:	DESCRIPTION:
0228403	10/11/02	INCORPORATE ECOS THRU THIS DATE.

### HOST MCU SECTION



**PCB REVISION IDENTIFIER**  
 REV ID = 0H (0H - 7H)

Update this identifier to indicate gross changes that affect system addressing, etc...

**LINE 6 CONFIDENTIAL**

THE INFORMATION CONTAINED IN THIS DRAWING IS THE SOLE PROPERTY OF LINE 6 INC. ANY REPRODUCTION IN PART OR WHOLE WITHOUT THE WRITTEN PERMISSION OF LINE 6 INC. IS PROHIBITED

COMPANY:	<b>LINE 6</b>	
TITLE:	<b>AX3_MAIN HOST MCU SECTION</b>	
PROGRAM:	<b>PADS POWER LOGIC V5.0</b>	
FILENAME:	/AX3 Product Family/AX3 Combo/ /Hardware/Schematic/Main/REV E/AX3 MAIN REV E.sch	
DRAWN:	D. Molnar / DB	DATED: 10/11/02
CHECKED:		DATED:
SCALE:	1:1	SIZE: C
PART NUMBER:	35-00-0094	SHEET: 1 OF 8

# AX3 OPTION CARDS INTERFACE (DIGITAL AUDIO, USB, ETC...)

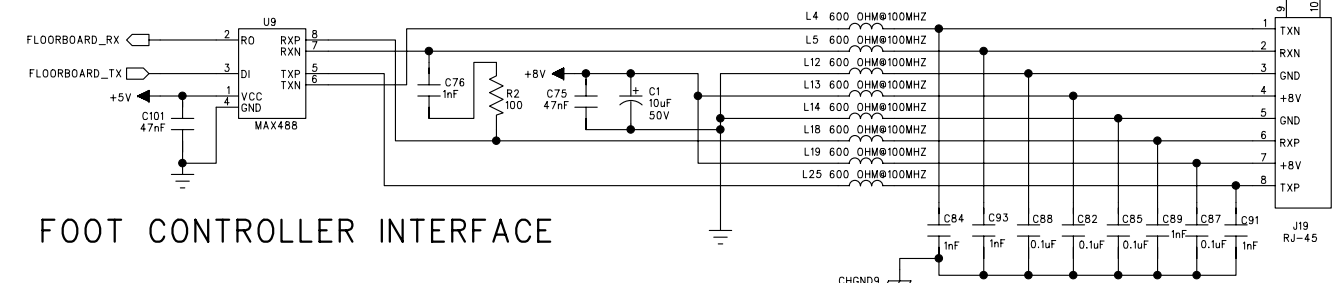
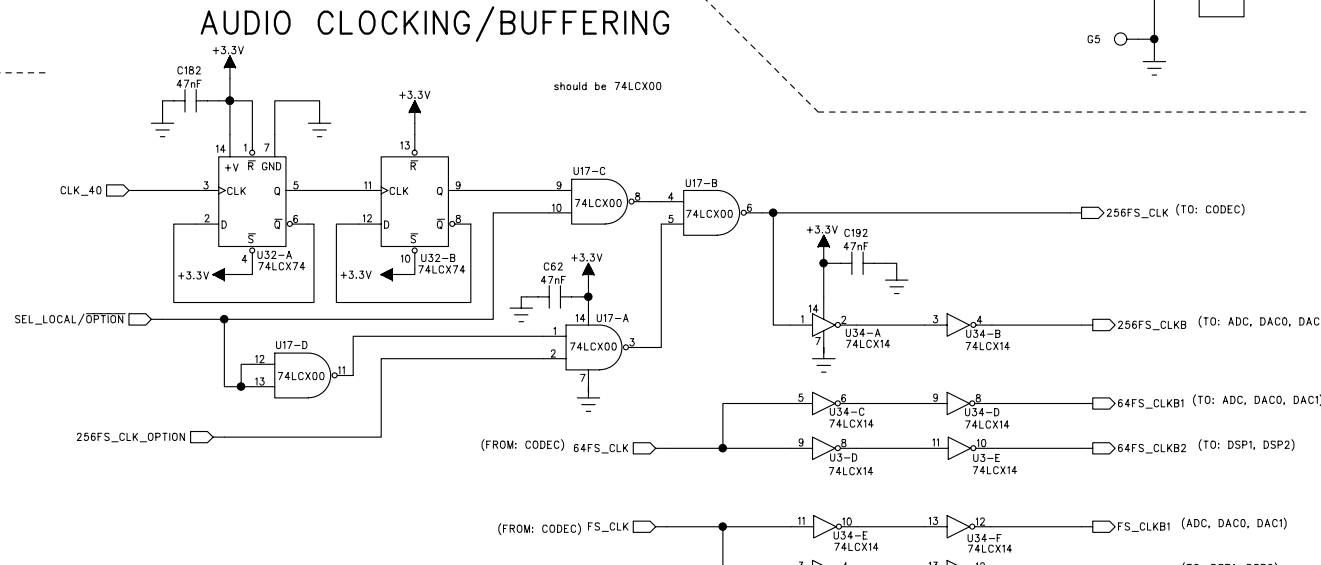
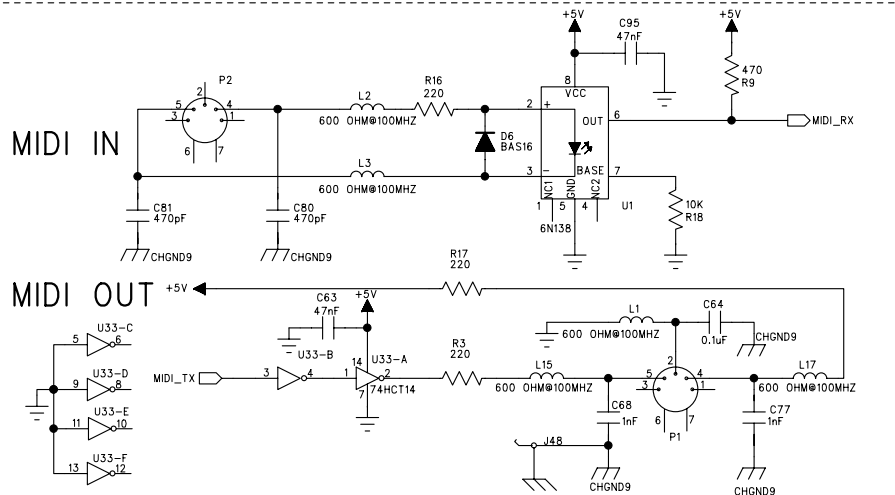
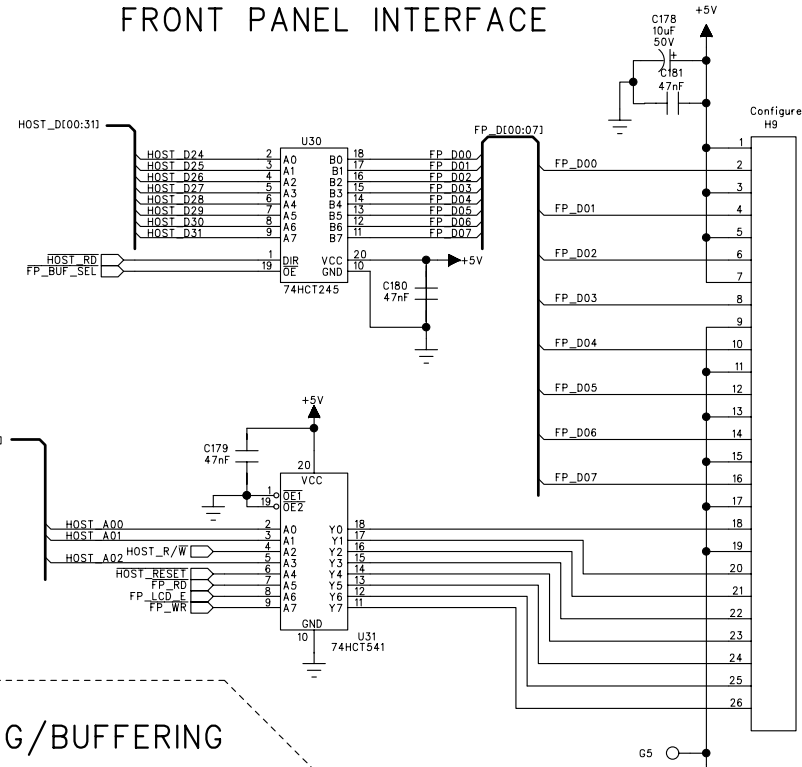
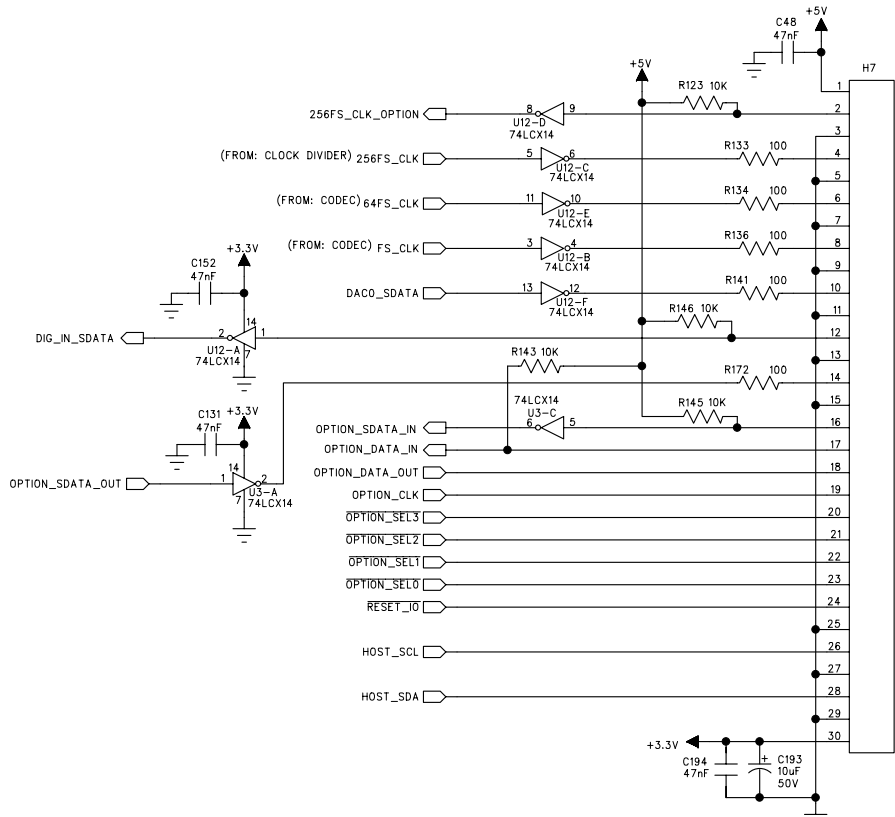
THE INFORMATION CONTAINED IN THIS DRAWING IS THE SOLE PROPERTY OF LINE 6 INC. ANY REPRODUCTION IN PART OR WHOLE WITHOUT THE WRITTEN PERMISSION OF LINE 6 INC. IS PROHIBITED

ECOs INCLUDED ON THIS SCHEMATIC/PCB REVISION

ECO NO: DATE: DESCRIPTION:

LINE 6 CONFIDENTIAL

## FRONT PANEL INTERFACE



COMPANY: **LINE 6**

TITLE: **AX3 MAIN PCB INTERFACE/CLOCKING**

PROGRAM: **PADS POWER LOGIC V5.0**

FILENAME: /AX3 Product Family/AX3 Combo/ Hardware/Schematic/Main/REV E/AX3 MAIN REV E.sch

SCALE: 1:1 SIZE: C PART NUMBER: 35-00-0094 SHEET: 2 OF 8

DRAWN: D. Molnar  
 CHECKED: \_\_\_\_\_  
 DATED: 10/11/02  
 DATED: \_\_\_\_\_

REV: **E**

ECOs INCLUDED ON THIS SCHEMATIC/PCB REVISION		
ECO NO:	DATE:	DESCRIPTION:

D

C

B

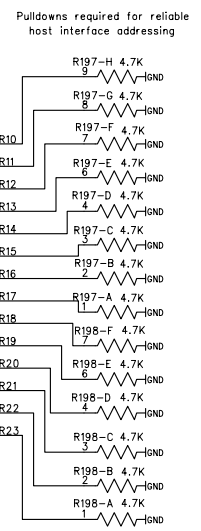
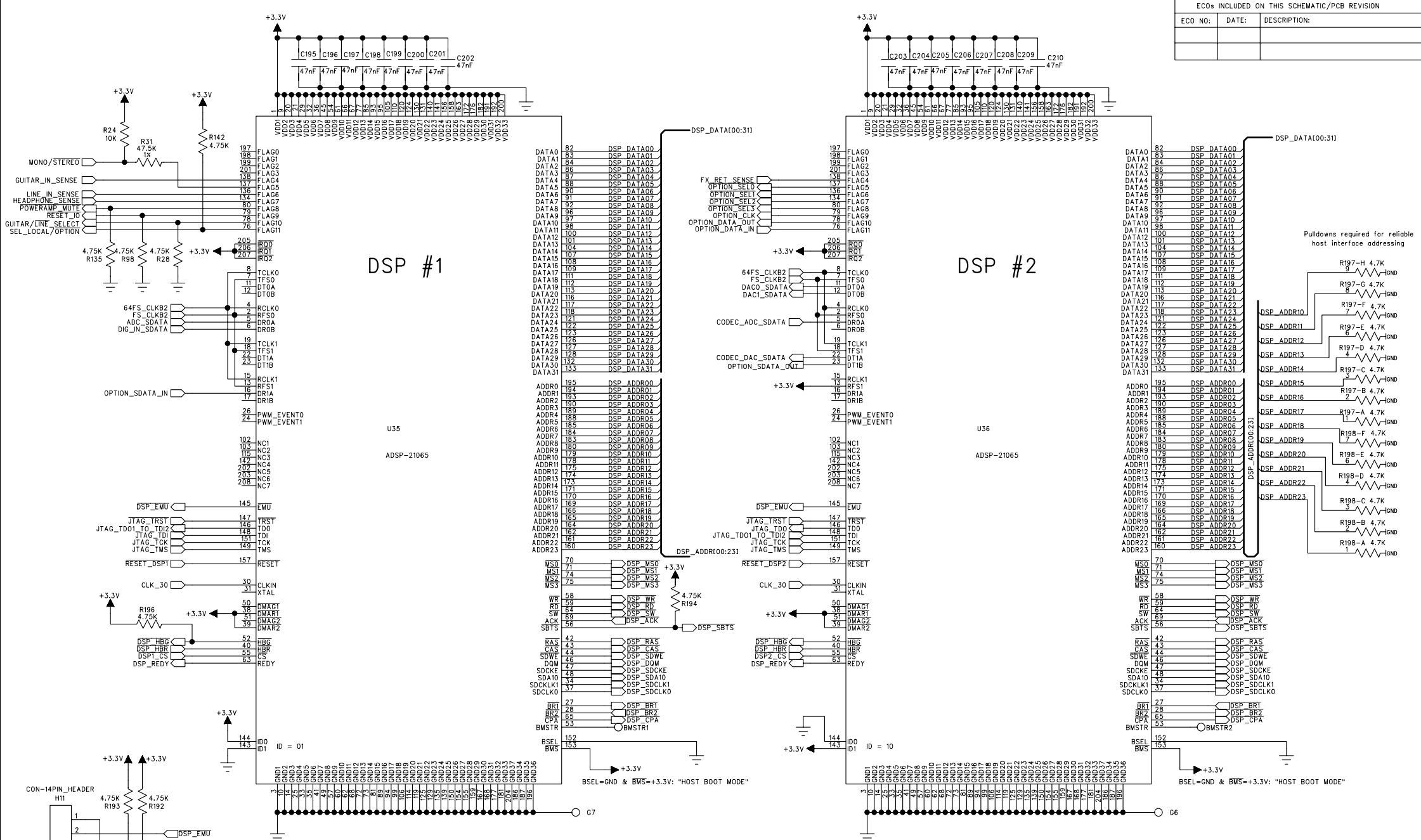
A

D

C

B

A



**LINE 6 CONFIDENTIAL**

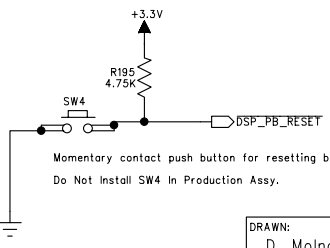
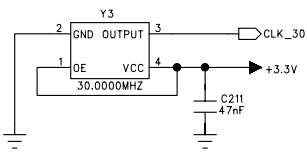
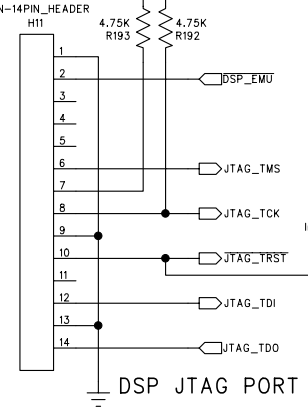
THE INFORMATION CONTAINED IN THIS DRAWING IS THE SOLE PROPERTY OF LINE 6 INC. ANY REPRODUCTION IN PART OR WHOLE WITHOUT THE WRITTEN PERMISSION OF LINE 6 INC. IS PROHIBITED

COMPANY:	LINE 6
TITLE:	AX3 MAIN PCB DSP
PROGRAM:	PADS POWER LOGIC V5.0
FILENAME:	/AX3 Product Family/AX3 Combo/ /Hardware/Schematic/Main/REV E/AX3 MAIN REV E.sch
SCALE: 1:1	SIZE: C PART NUMBER: 35-00-0094 SHEET: 3 OF 8

Do Not Install H11 in Production Assy.

Momentary contact push button for resetting both DSPs  
Do Not Install SW4 in Production Assy.

Install R161 when not using the DSP JTAG emulator!



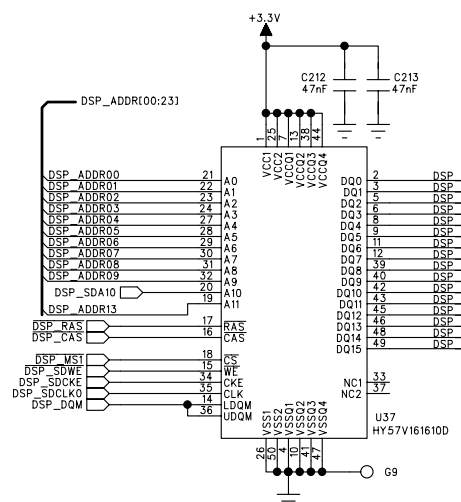
DRAWN:	D. Molnar	DATED:	10/11/02
CHECKED:		DATED:	

REV: E

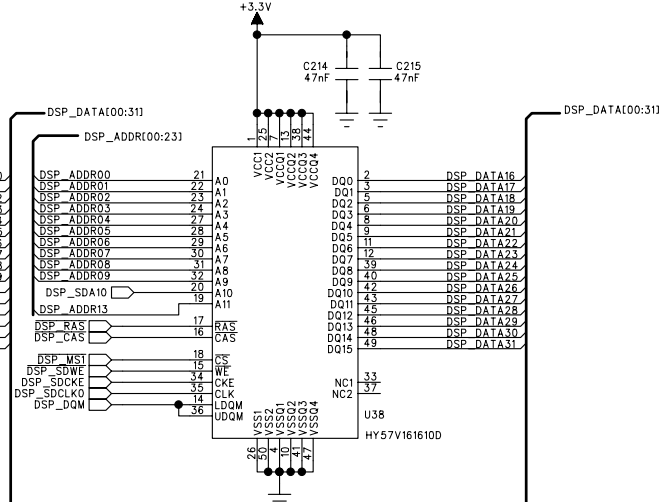
ECOs INCLUDED ON THIS SCHEMATIC/PCB REVISION		
ECO NO:	DATE:	DESCRIPTION:

### DSP MEMORY

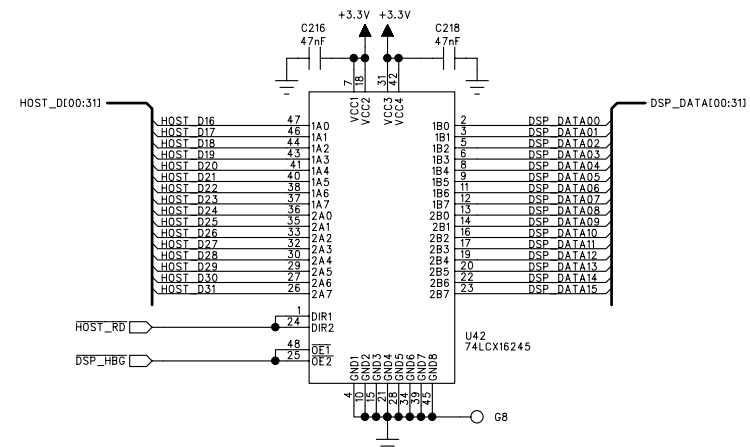
### SDRAM LOWER 1M X 16



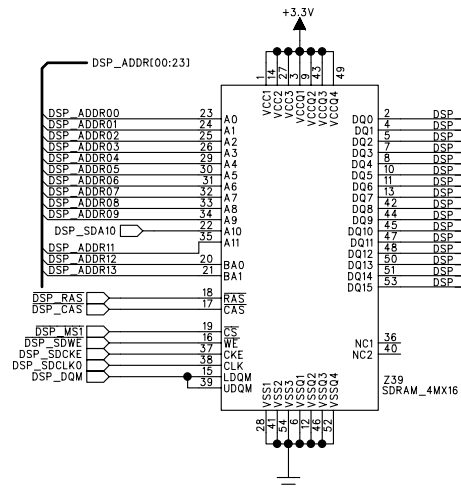
### SDRAM UPPER 1M X 16



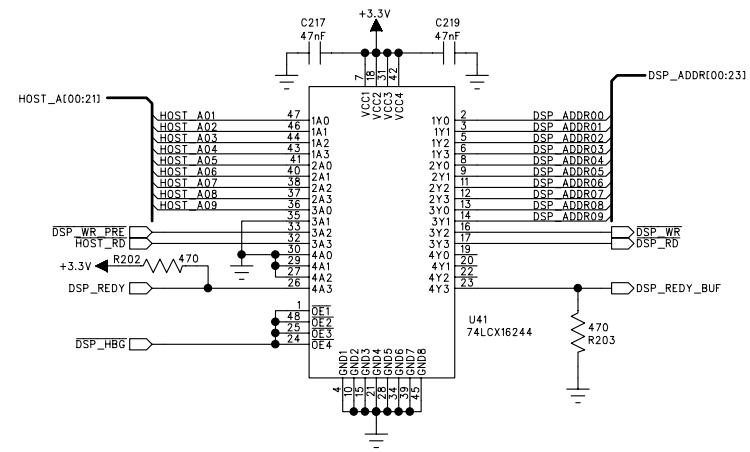
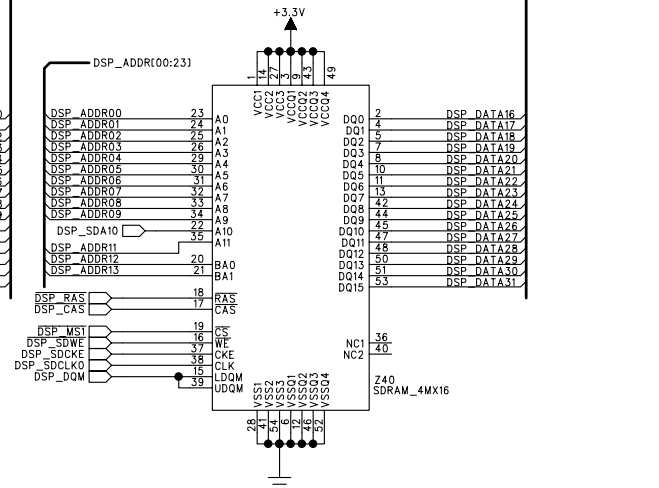
### DSP HOST INTERFACE



### SDRAM LOWER 4M X 16



### SDRAM UPPER 4M X 16



NOTE: The PCB layout is configured to install Either the 1M X 16 or the 4M X 16 parts but not both!

LINE 6 CONFIDENTIAL

THE INFORMATION CONTAINED IN THIS DRAWING IS THE SOLE PROPERTY OF LINE 6 INC. ANY REPRODUCTION IN PART OR WHOLE WITHOUT THE WRITTEN PERMISSION OF LINE 6 INC. IS PROHIBITED

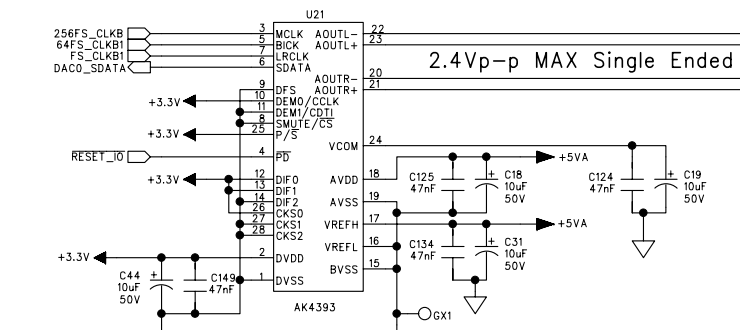
COMPANY:	LINE 6
TITLE:	AX3 MAIN PCB DSP PERIPHERALS
PROGRAM:	PADS POWER LOGIC V5.0
FILENAME:	/AX3 Product Family/AX3 Combo/ /Hardware/Schematic/Main/REV E/AX3 MAIN REV E.sch
SCALE: 1:1	SIZE: C PART NUMBER: 35-00-0094
SHEET: 4	OF 8

DRAWN:	D. Molnar	DATED:	10/11/02
CHECKED:		DATED:	

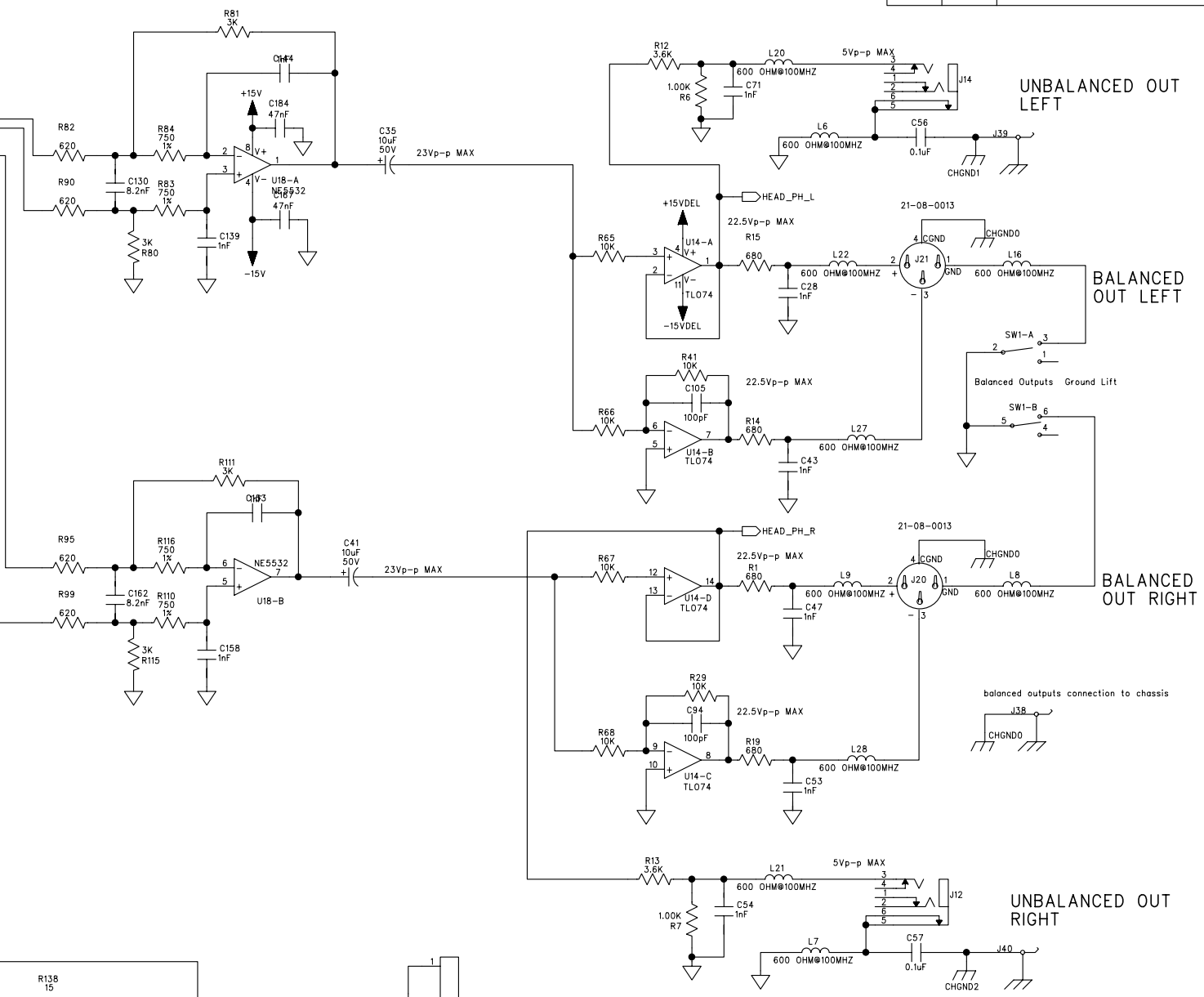
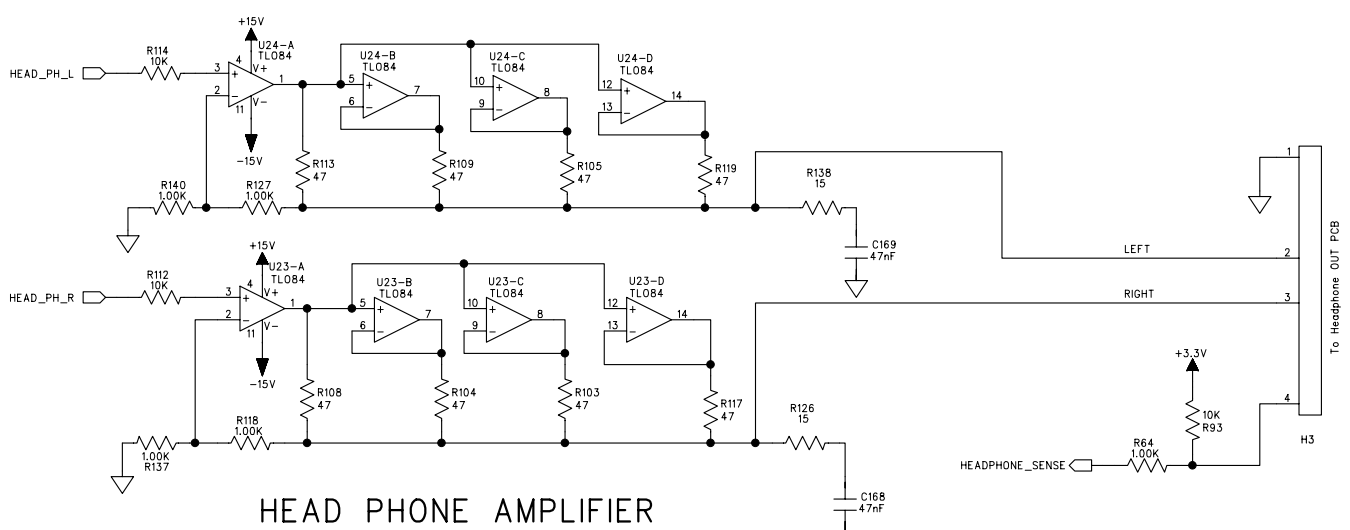
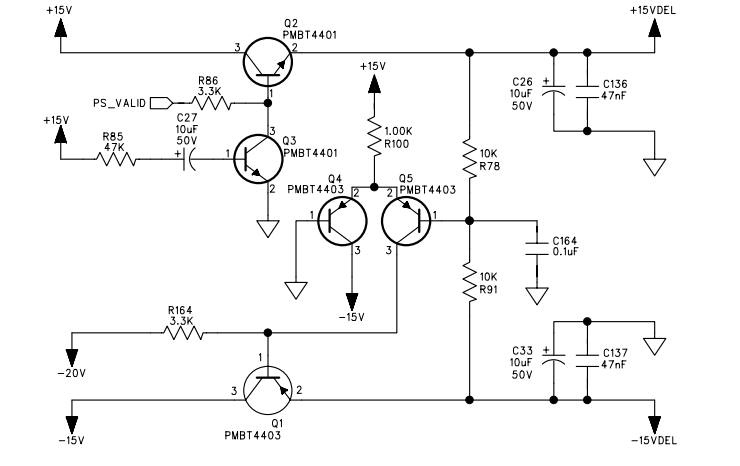
REV: E

# DIRECT / WET OUTPUTS

ECOs INCLUDED ON THIS SCHEMATIC/PCB REVISION		
ECO NO:	DATE:	DESCRIPTION:



# OUTPUT OF AMPS POWER SUPPLY DELAY



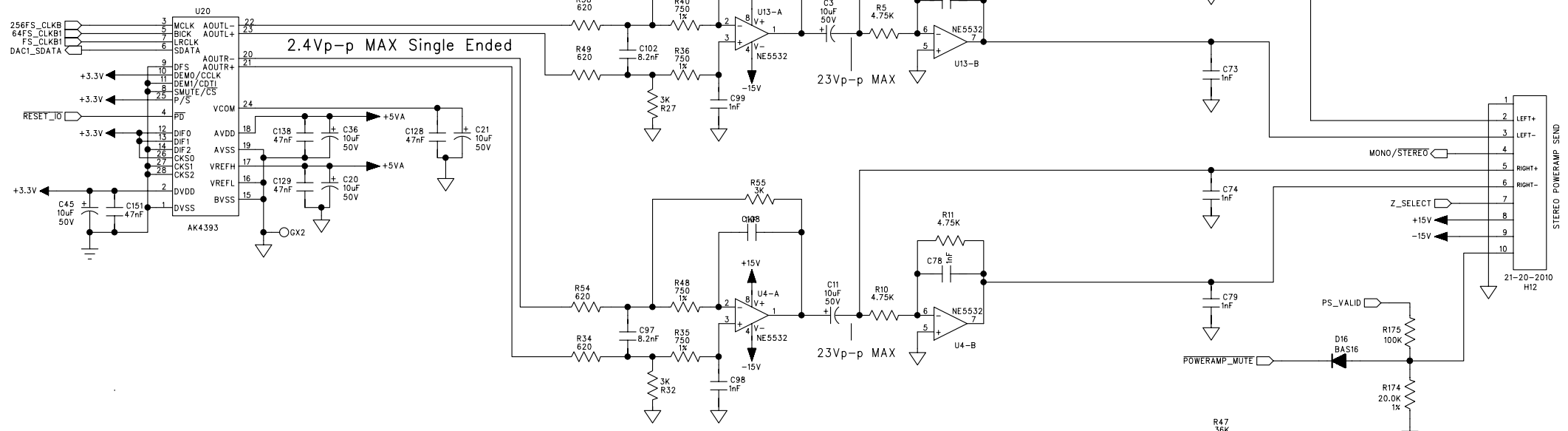
**LINE 6 CONFIDENTIAL**

THE INFORMATION CONTAINED IN THIS DRAWING IS THE SOLE PROPERTY OF LINE 6 INC. ANY REPRODUCTION IN PART OR WHOLE WITHOUT THE WRITTEN PERMISSION OF LINE 6 INC. IS PROHIBITED

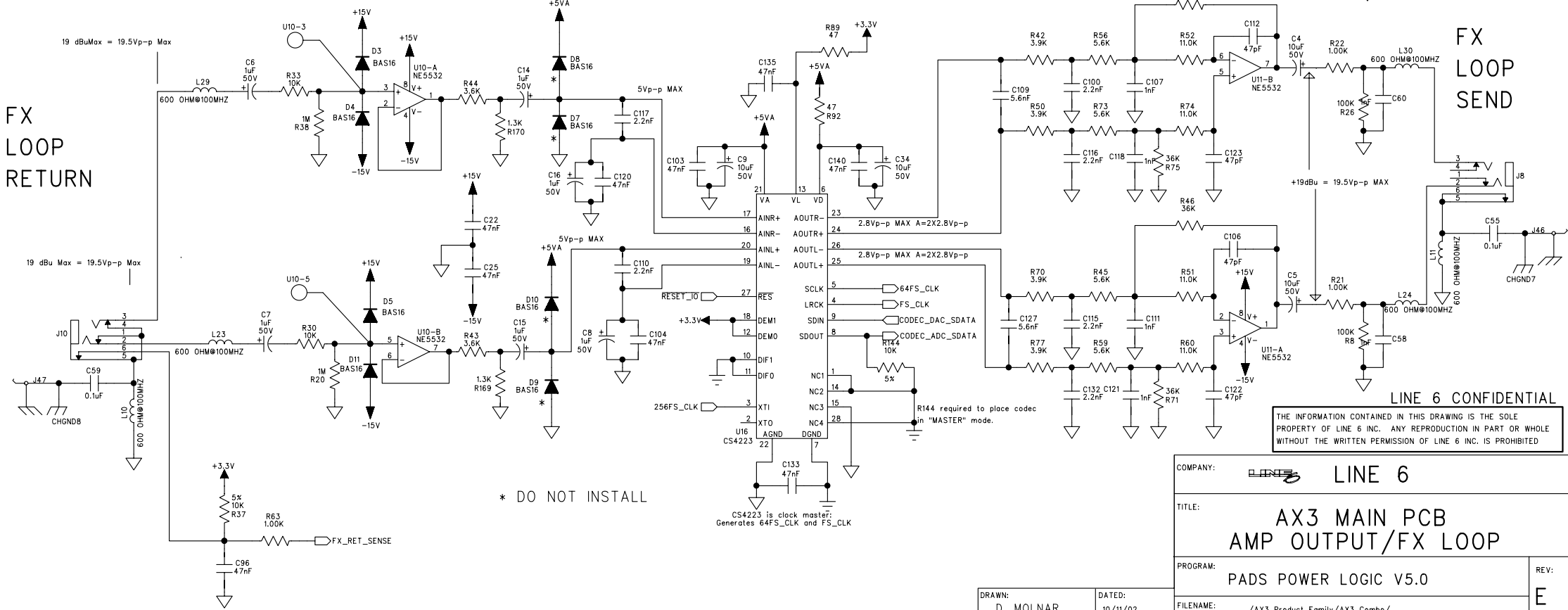
COMPANY:		<b>LINE 6</b>
TITLE:	<b>AX3 MAIN PCB DIRECT OUT/HEADPHONES</b>	
PROGRAM:	<b>PADS POWER LOGIC V5.0</b>	
FILENAME:	/AX3 Product Family/AX3 Combo/ /Hardware/Schematic/Main/REV E/AX3 MAIN REV E.sch	
DRAWN:	D. Molnar	DATED:
CHECKED:		DATED:
REV:	<b>E</b>	
SCALE:	1:1	SIZE:
PART NUMBER:	35-00-0094	SHEET:
		5 OF 8

ECOs INCLUDED ON THIS SCHEMATIC/PCB REVISION		
ECO NO:	DATE:	DESCRIPTION:

### INTERNAL POWER AMP OUTPUTS



### FX LOOP RETURN



\* DO NOT INSTALL

CS4223 is clock master: Generates 64FS\_CLK and FS\_CLK

LINE 6 CONFIDENTIAL

THE INFORMATION CONTAINED IN THIS DRAWING IS THE SOLE PROPERTY OF LINE 6 INC. ANY REPRODUCTION IN PART OR WHOLE WITHOUT THE WRITTEN PERMISSION OF LINE 6 INC. IS PROHIBITED

COMPANY:	LINE 6	
TITLE:	AX3 MAIN PCB AMP OUTPUT/FX LOOP	
PROGRAM:	PADS POWER LOGIC V5.0	
FILENAME:	/AX3 Product Family/AX3 Combo/ /Hardware/Schematic/Main/REV E/AX3 MAIN REV E.sch	
DRAWN:	D. MOLNAR	DATED: 10/11/02
CHECKED:		DATED:
SCALE:	1:1	SIZE: C
PART NUMBER:	35-00-0094	SHEET: 6 OF 8

REV: E

6

5

4

3

2

1

ECOs INCLUDED ON THIS SCHEMATIC/PCB REVISION		
ECO NO:	DATE:	DESCRIPTION:

D

D

C

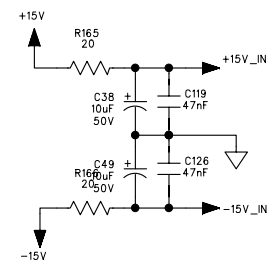
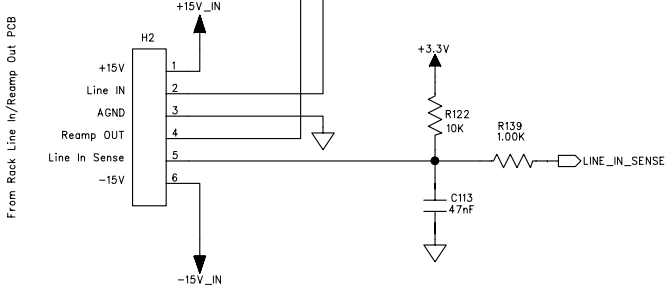
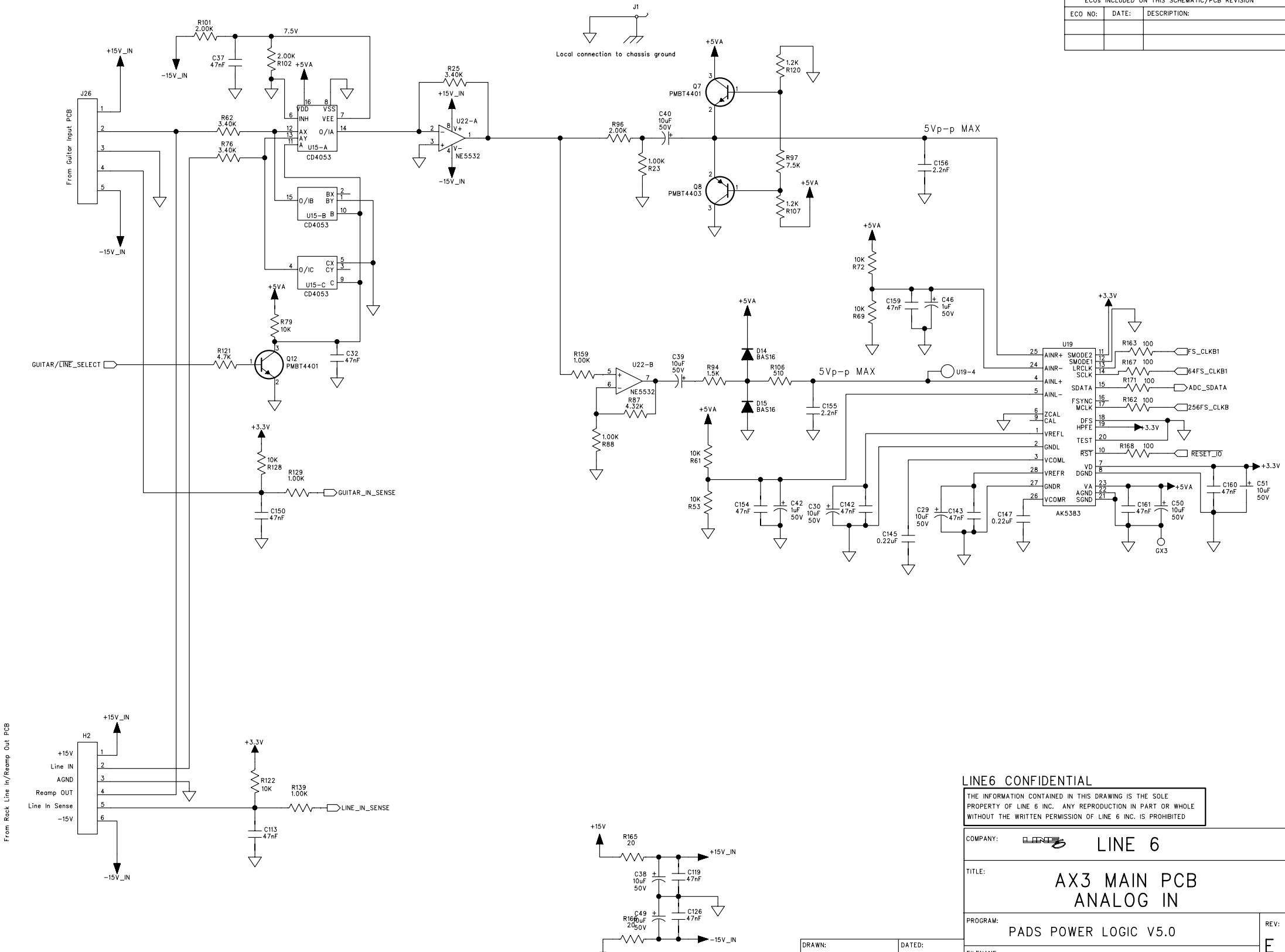
C

B

B

A

A



**LINE6 CONFIDENTIAL**

THE INFORMATION CONTAINED IN THIS DRAWING IS THE SOLE PROPERTY OF LINE 6 INC. ANY REPRODUCTION IN PART OR WHOLE WITHOUT THE WRITTEN PERMISSION OF LINE 6 INC. IS PROHIBITED

COMPANY: **LINE 6**

TITLE: **AX3 MAIN PCB ANALOG IN**

PROGRAM: **PADS POWER LOGIC V5.0**

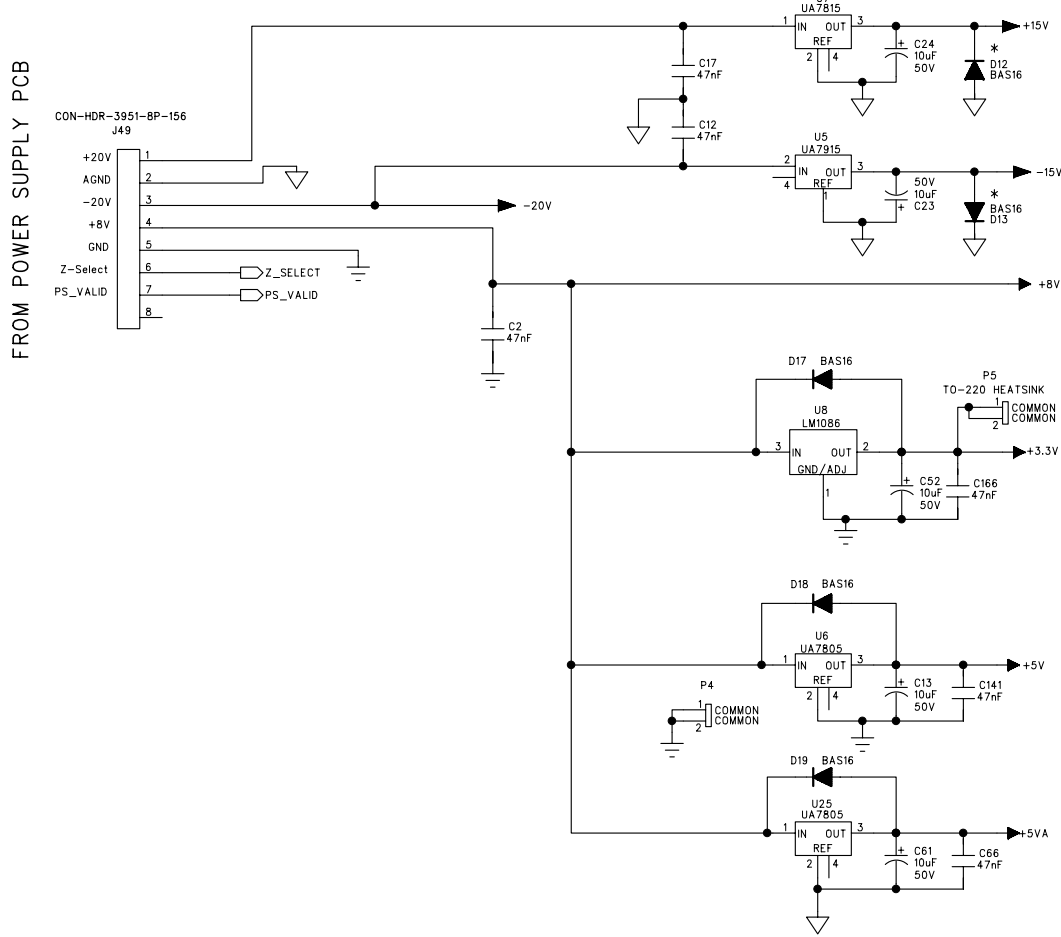
FILENAME: /AX3 Product Family/AX3 Combo/  
/Hardware/Schematic/Main/REV E/AX3 MAIN REV E.sch

DRAWN: D. MOLNAR  
CHECKED:

DATED: 10/11/02  
DATED:

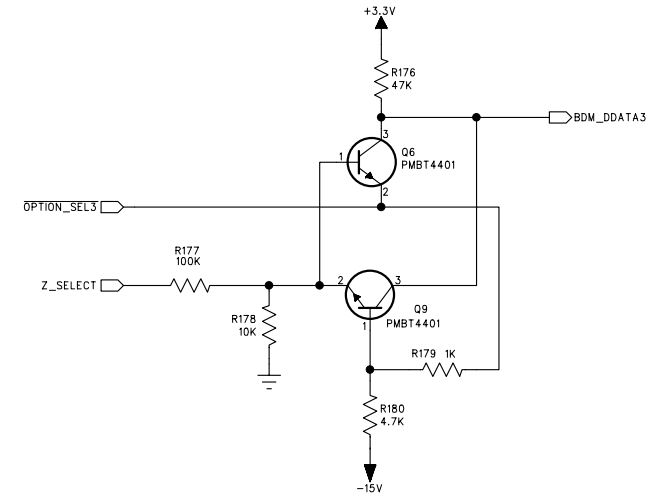
ECOs INCLUDED ON THIS SCHEMATIC/PCB REVISION		
ECO NO:	DATE:	DESCRIPTION:

# POWER ENTRY

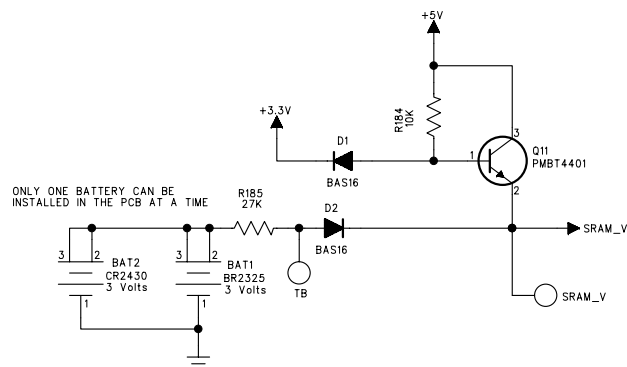


\* DO NOT INSTALL

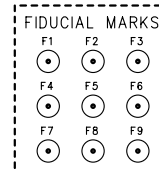
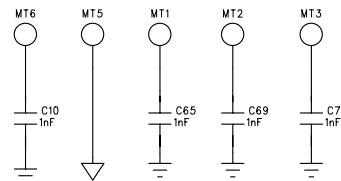
# Z-SELECT DETECTION CIRCUITRY



# BATTERY FOR NON VOLATILE SRAM



ONLY ONE BATTERY CAN BE INSTALLED IN THE PCB AT A TIME



## LINE 6 CONFIDENTIAL

THE INFORMATION CONTAINED IN THIS DRAWING IS THE SOLE PROPERTY OF LINE 6 INC. ANY REPRODUCTION IN PART OR WHOLE WITHOUT THE WRITTEN PERMISSION OF LINE 6 INC. IS PROHIBITED

COMPANY: **LINE 6**

TITLE: **AX3 MAIN PCB POWER**

PROGRAM: **PADS POWER LOGIC V5.0**

FILENAME: /AX3 Product Family/AX3 Combo/  
/Hardware/Schematic/Main/REV E/AX3 MAIN REV E.sch

DRAWN: D. MOLNAR / DB  
CHECKED:

DATED: 10/11/02  
DATED:

REV: E



6 5 4 3 2 1

**\*Vetta Head and Combo use the same PCB**  
 The schematic reflects the components inserted for each respective assembly

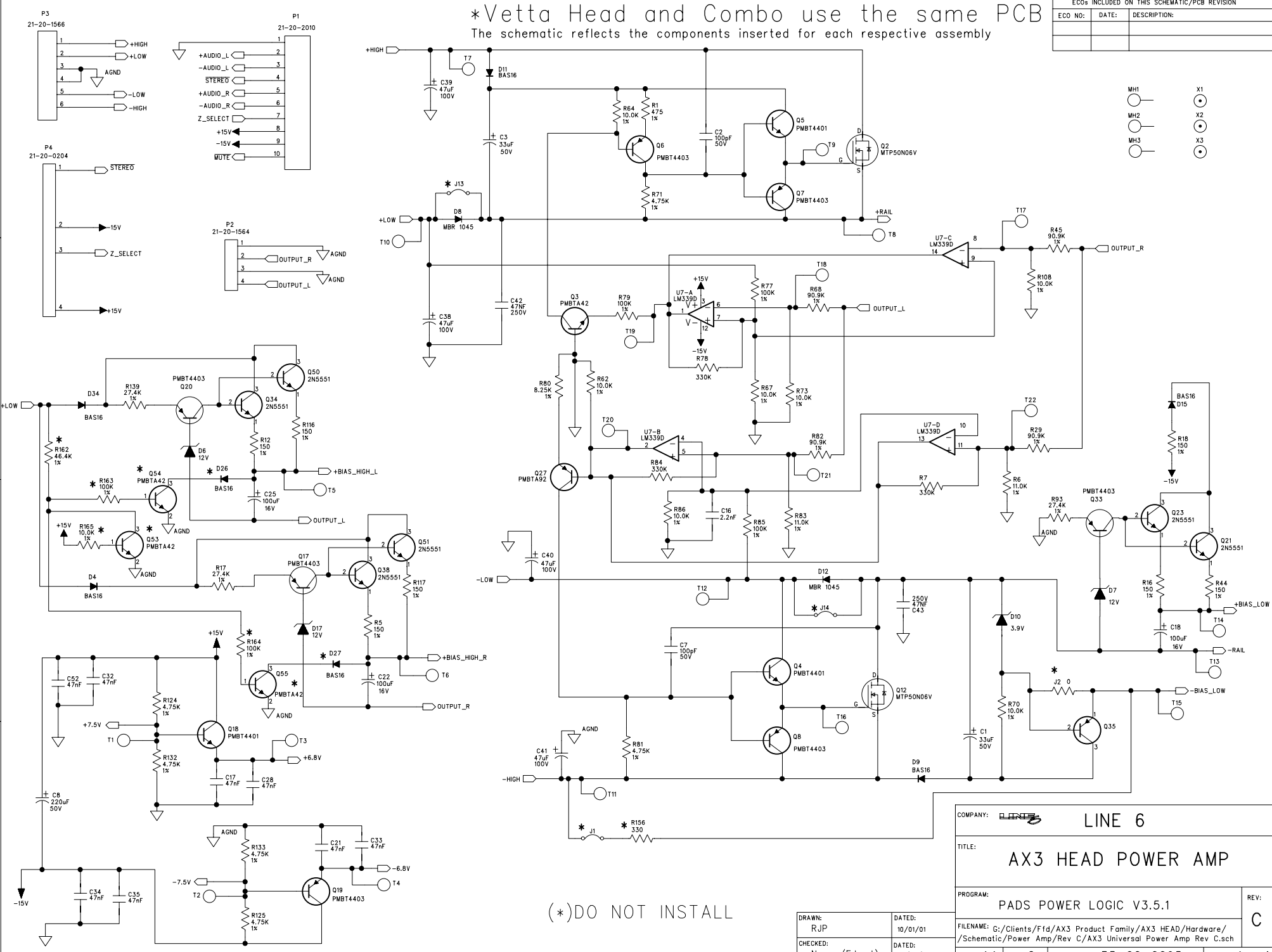
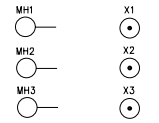
ECOs INCLUDED ON THIS SCHEMATIC/PCB REVISION		
ECO NO:	DATE:	DESCRIPTION:

D

C

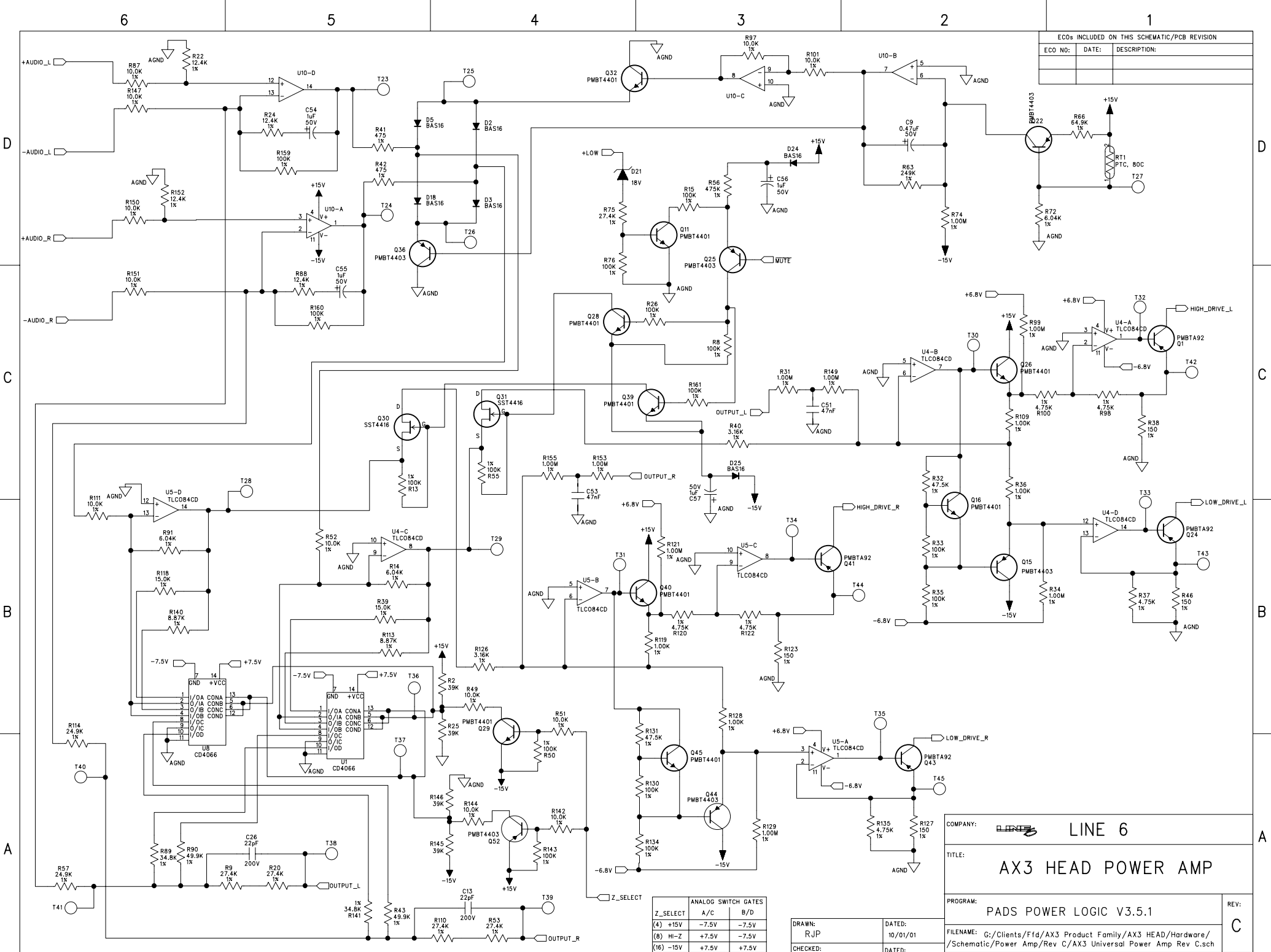
B

A



(\*DO NOT INSTALL

COMPANY:		LINE 6	
TITLE: AX3 HEAD POWER AMP			
PROGRAM: PADS POWER LOGIC V3.5.1		REV: C	
DRAWN: RJP	DATED: 10/01/01	FILENAME: G:/Clients/F1d/AX3 Product Family/AX3 HEAD/Hardware/Schematic/Power Amp/Rev C/AX3 Universal Power Amp Rev C.sch	
CHECKED: Name (F.Last)	DATED: 00/00/01	SCALE: 1:1	SIZE: C
PART NUMBER: 35-00-0095		SHEET: 1 OF 4	



ECOs INCLUDED ON THIS SCHEMATIC/PCB REVISION		
ECO NO:	DATE:	DESCRIPTION:

COMPANY:	LINE 6	
TITLE:	AX3 HEAD POWER AMP	
PROGRAM:	PADS POWER LOGIC V3.5.1	
FILENAME:	G:/Clients/Ffd/AX3 Product Family/AX3 HEAD/Hardware/ /Schematic/Power Amp/Rev C/AX3 Universal Power Amp Rev C.sch	
SCALE: 1:1	SIZE: C	PART NUMBER: 35-00-0095
SHEET: 2 OF 4		

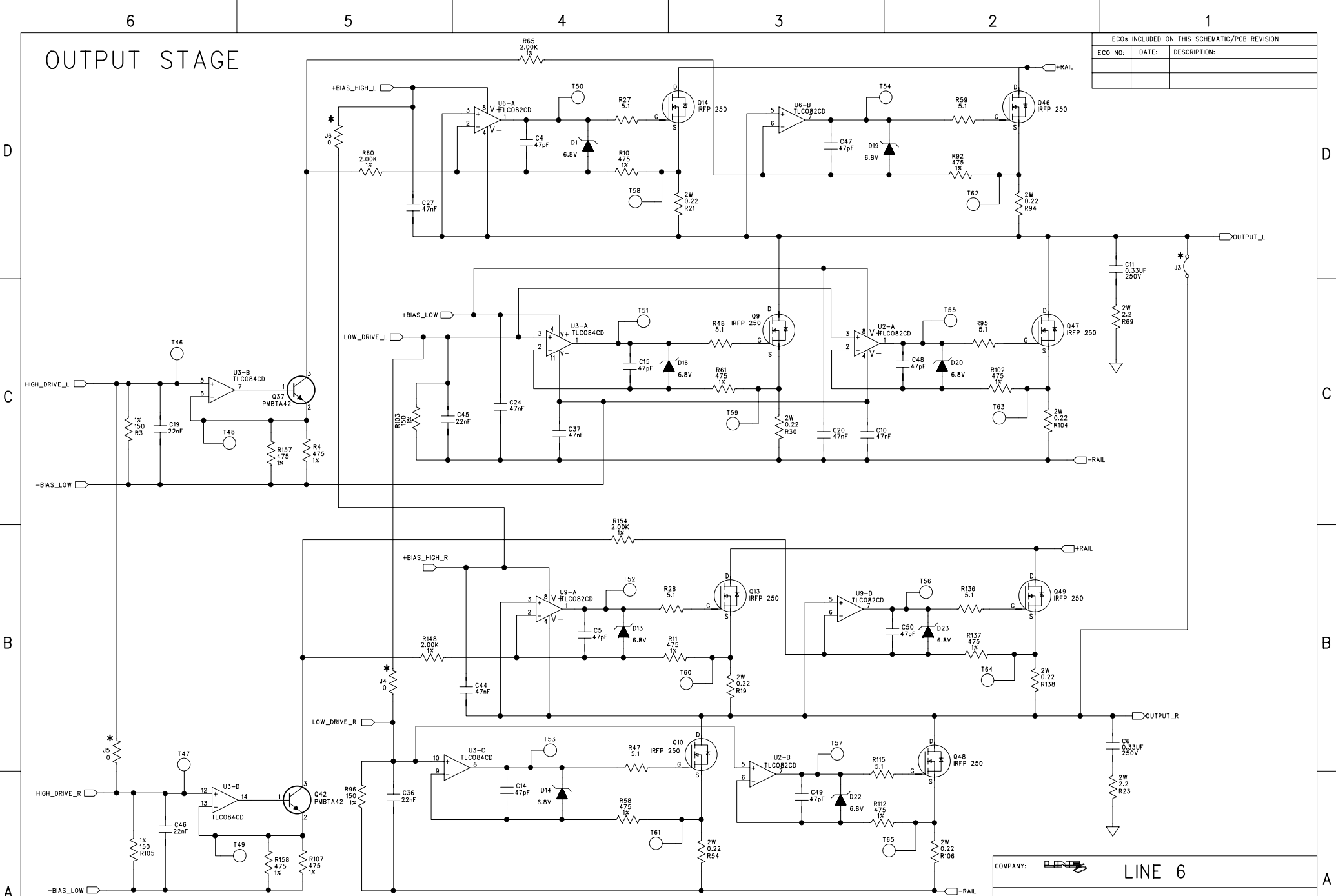
Z_SELECT	A/C	B/D
(4) +15V	-7.5V	-7.5V
(8) Hi-Z	+7.5V	-7.5V
(16) -15V	+7.5V	+7.5V

DRAWN: RJP	DATED: 10/01/01
CHECKED: Name (F.Last)	DATED: 00/00/01

REV: C

OUTPUT STAGE

ECO# INCLUDED ON THIS SCHEMATIC/PCB REVISION		
ECO NO:	DATE:	DESCRIPTION:



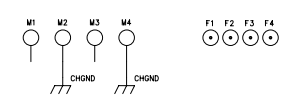
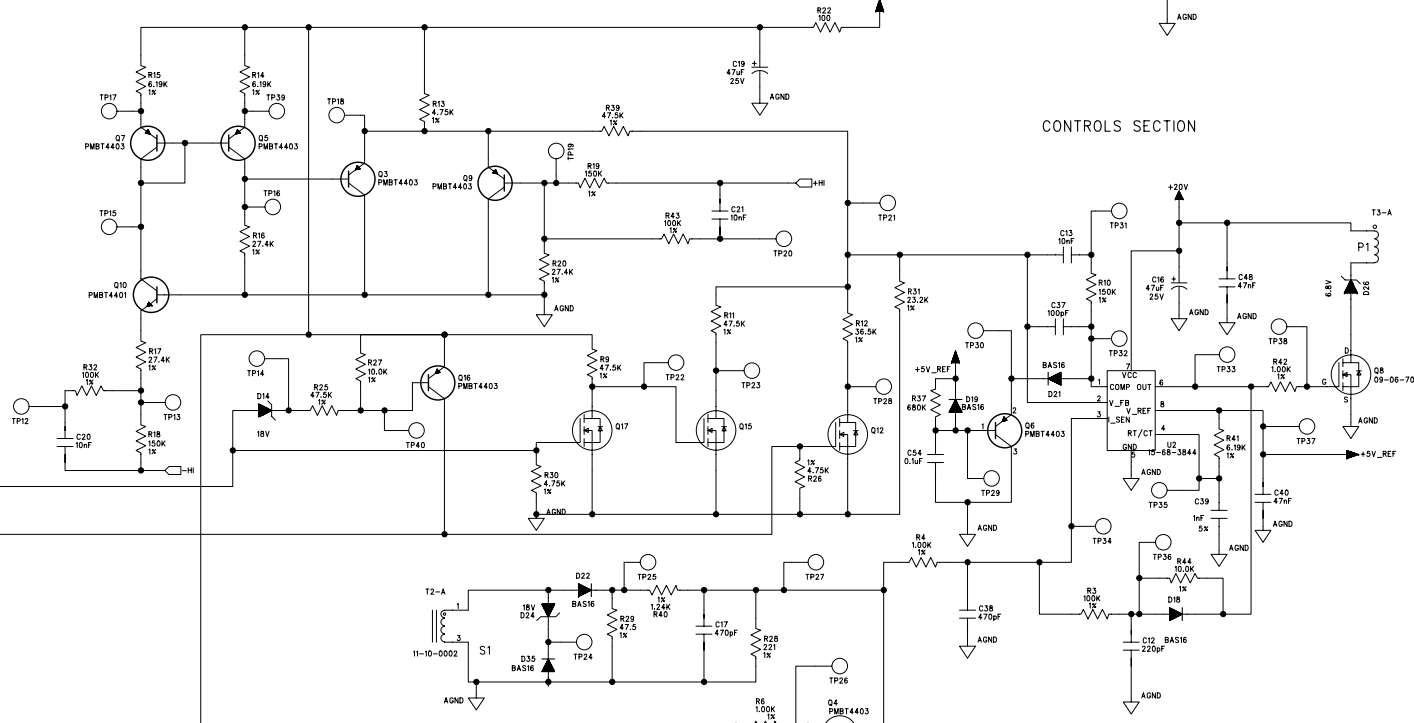
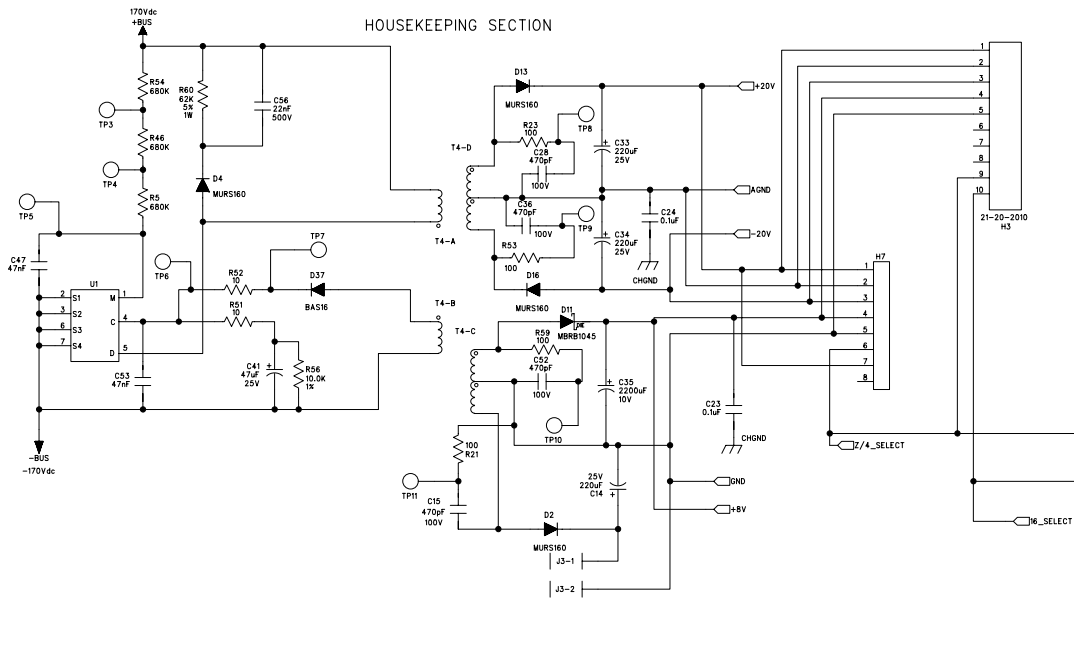
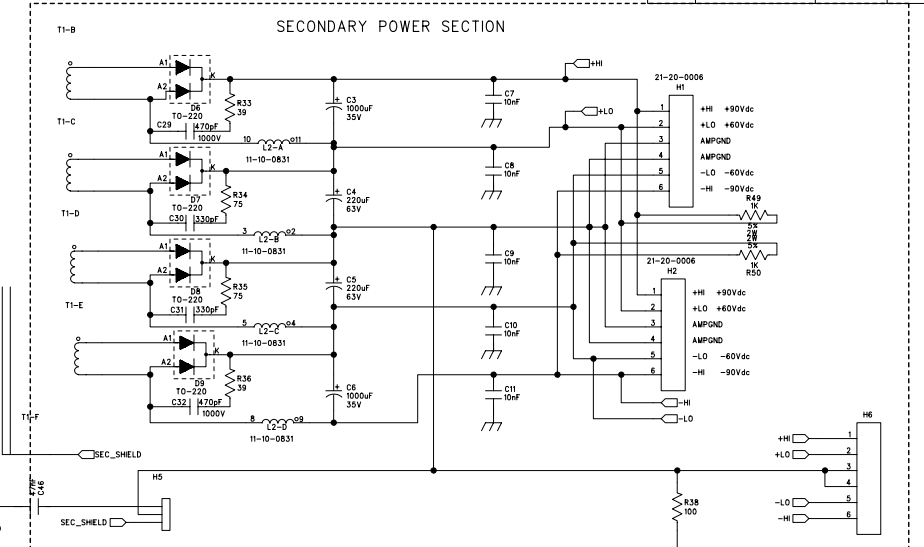
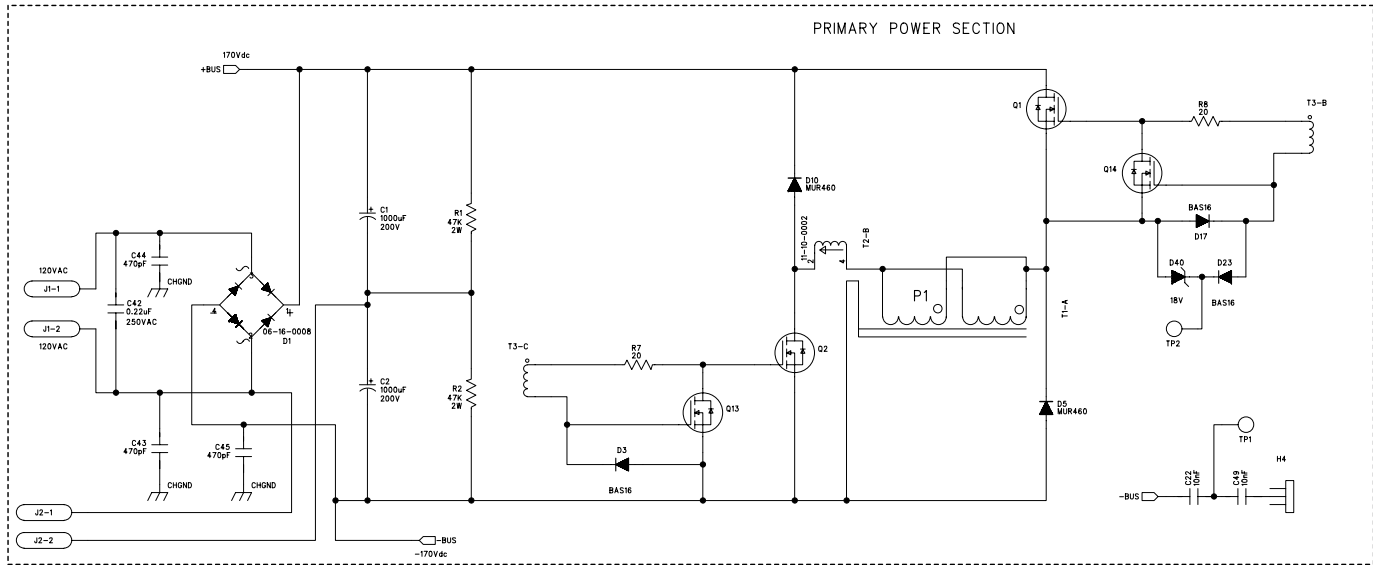
(\*DO NOT INSTALL

COMPANY:	LINE 6	
TITLE:	AX3 HEAD POWER AMP	
PROGRAM:	PADS POWER LOGIC V3.5.1	
REV:	C	
FILENAME:	G:/Clients/Ffd/AX3 Product Family/AX3 HEAD/Hardware/ /Schematic/Power Amp/Rev C/AX3 Universal Power Amp Rev C.sch	
SCALE:	1:1	SIZE: C
PART NUMBER:	35-00-0095	SHEET: 3 OF 4

DRAWN:	DATED:
RJP	10/01/01
CHECKED:	DATED:
Name (F.Last)	00/00/01

ECOs INCLUDED ON REV A PCB REVISION			
ECO NO:	DATE:	DESCRIPTION:	APPROVED:

REV A RELEASED TO PRODUCTION 7/30/01



THE INFORMATION CONTAINED IN THIS DRAWING IS THE SOLE PROPERTY OF LINE 6 INC. ANY REPRODUCTION IN PART OR WHOLE WITHOUT THE WRITTEN PERMISSION OF LINE 6 INC. IS PROHIBITED

COMPANY:	ELECEC LINE 6		
TITLE:	AX3 PROPOWER N&MPLY BD		
PROGRAM:	PADS POWER LOGIC V3.5.1		
REV:	D		
DRAWN:	BNge (F.Last)	DATED:	02/02/01
CHECKED:	BNge (F.Last)	DATED:	04/03/01
SCALE:	1:1	SIZE:	D
PART NUMBER:	85-00-0100	SHEET:	1 OF 1

FILENAME: Data on F:\4\Clients\Fid\AX3 Product Family\AX3 Hardware\ Data on F:\4\Clients\Fid\Power\Supply\AX3-140-PWR\Supply REV D.sch

6

5

4

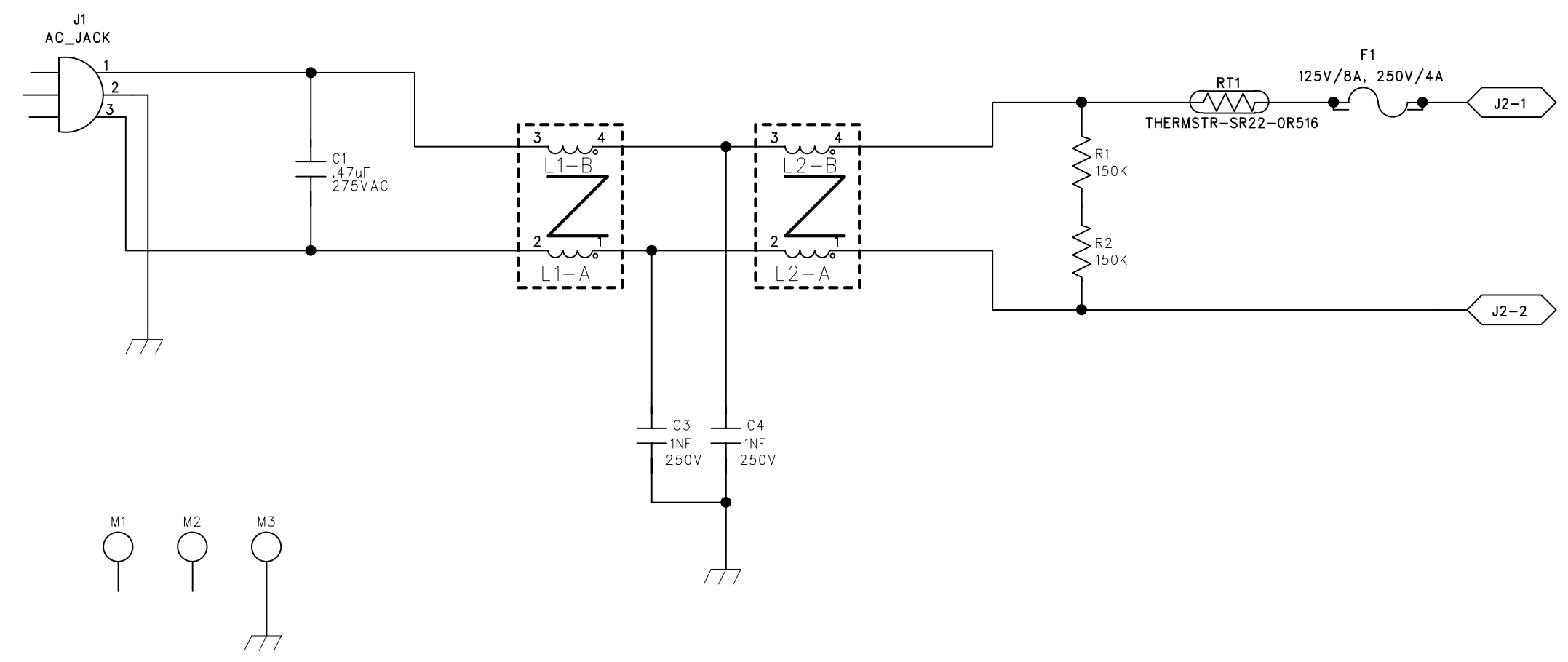
3

2

1

REVISION RECORD			
LTR	ECO NO:	APPROVED:	DATE:
	Changed T1 to RT1.		
	Added fuse warning		
B	REPLACED C1		

UPDATED TO REV A FOR PRODUCTION RELEASE. SAME AS REV X2.



COMPANY:		LINE 6	
TITLE:		PRIMARY POWER LINE FILTER BOARD	
PROGRAM:			REV:
PADS POWER LOGIC V3.0			B
FILENAME: Data on Ffd/Clients/Ffd/HDII/Hardware/Schematics/Line Filter/HDII LINE FILTER Rev B.sch			
SCALE: 1:1		SIZE: B	PART NUMBER: 35-00-4001
SHEET: 1		OF 1	

DRAWN: DB	DATED: FEB 1, 2001
CHECKED: Initials	DATED: Date

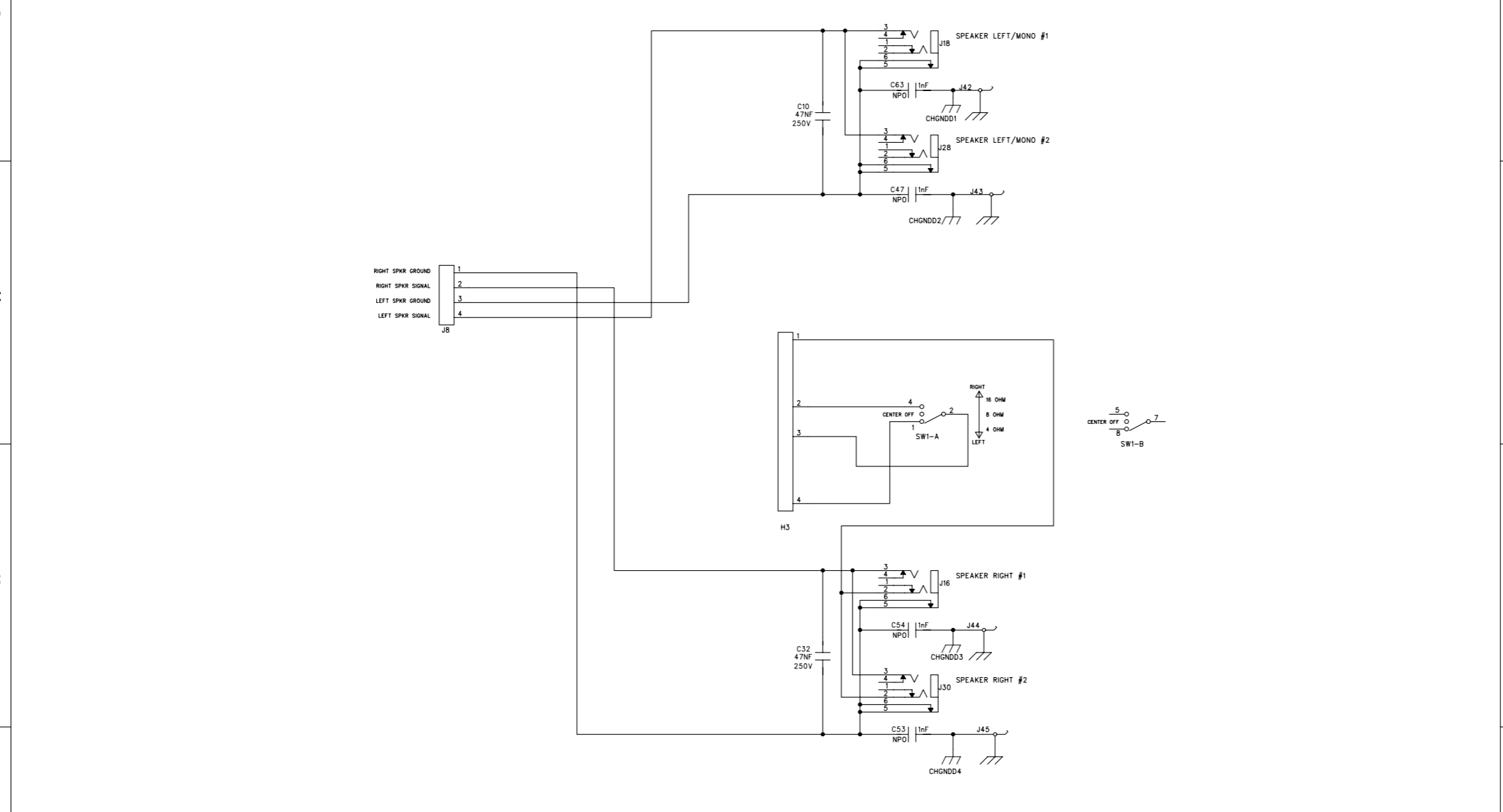
D  
C  
B  
A

D  
C  
B  
A

6 5 4 3 2 1

AX3 HEAD SPEAKER OUTPUTS PCB

ECO's INCLUDED ON THIS SCHEMATIC/PCB REVISION		
ECO NO:	DATE:	DESCRIPTION:



COMPANY:		LINE 6	
TITLE:			
AX3 HEAD SPEAKER OUTPUTS PCB			
PROGRAM:			REV:
PADS POWER LOGIC V3.5			A
FILENAME: G:/Clients/Ffd/AX3 Product Family/Ax3 Head/Hardware/ /Schematic/Output Speaker HD/Rev A/AX3 HEAD SPKR OUT BD REV A.SCH			
DRAWN: D. Molnar	DATED: Date	SCALE: 1;1	SIZE: C
CHECKED: Initials	DATED: Date	PART NUMBER: 35-00-0104	SHEET: 1 OF 1

A

B

C

D