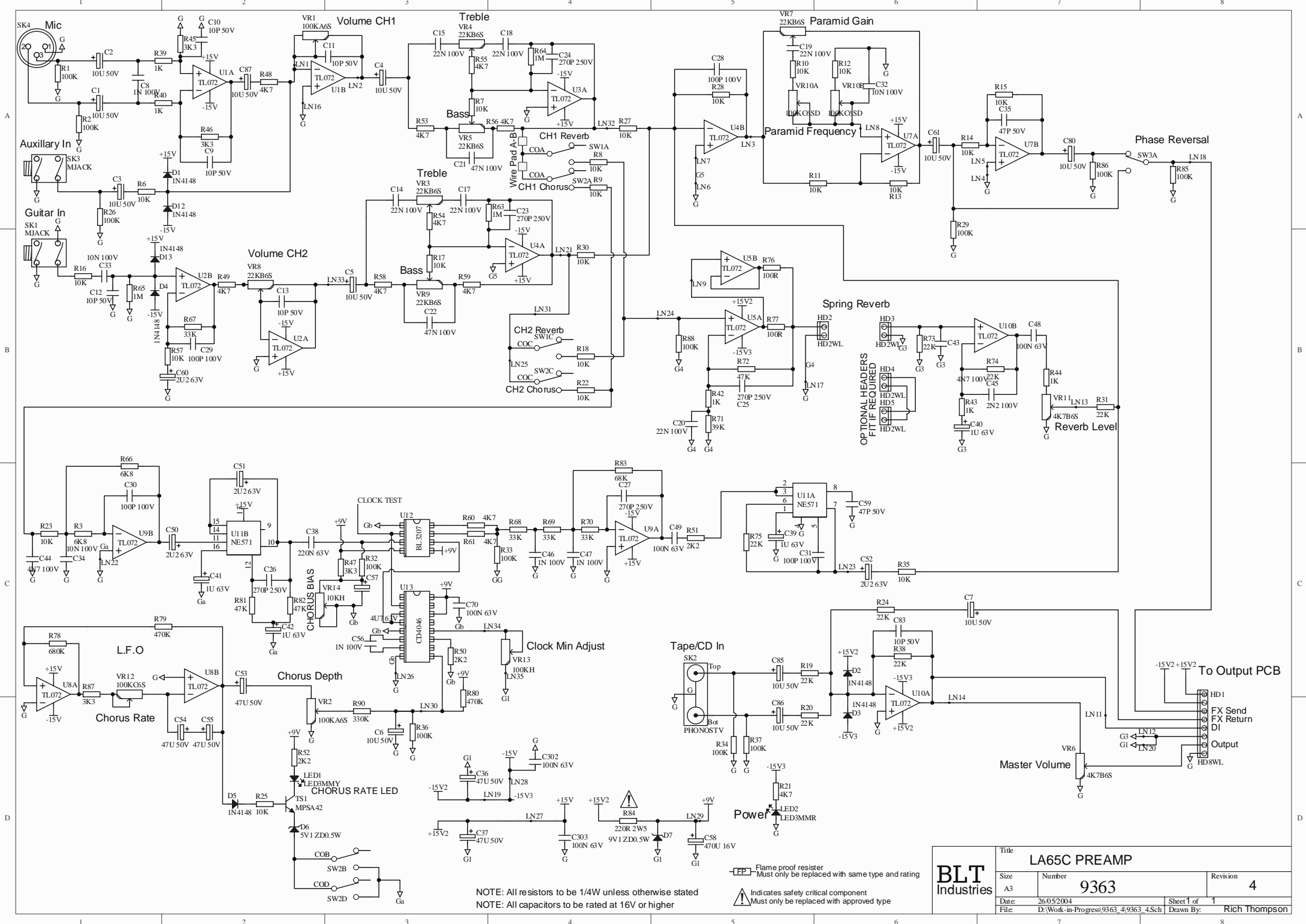


LA65C

Service Information

Laney
Classic British Amplification

Newlyn Road, Cradley Heath, West Midlands. B64 6BE
www.laney.co.uk

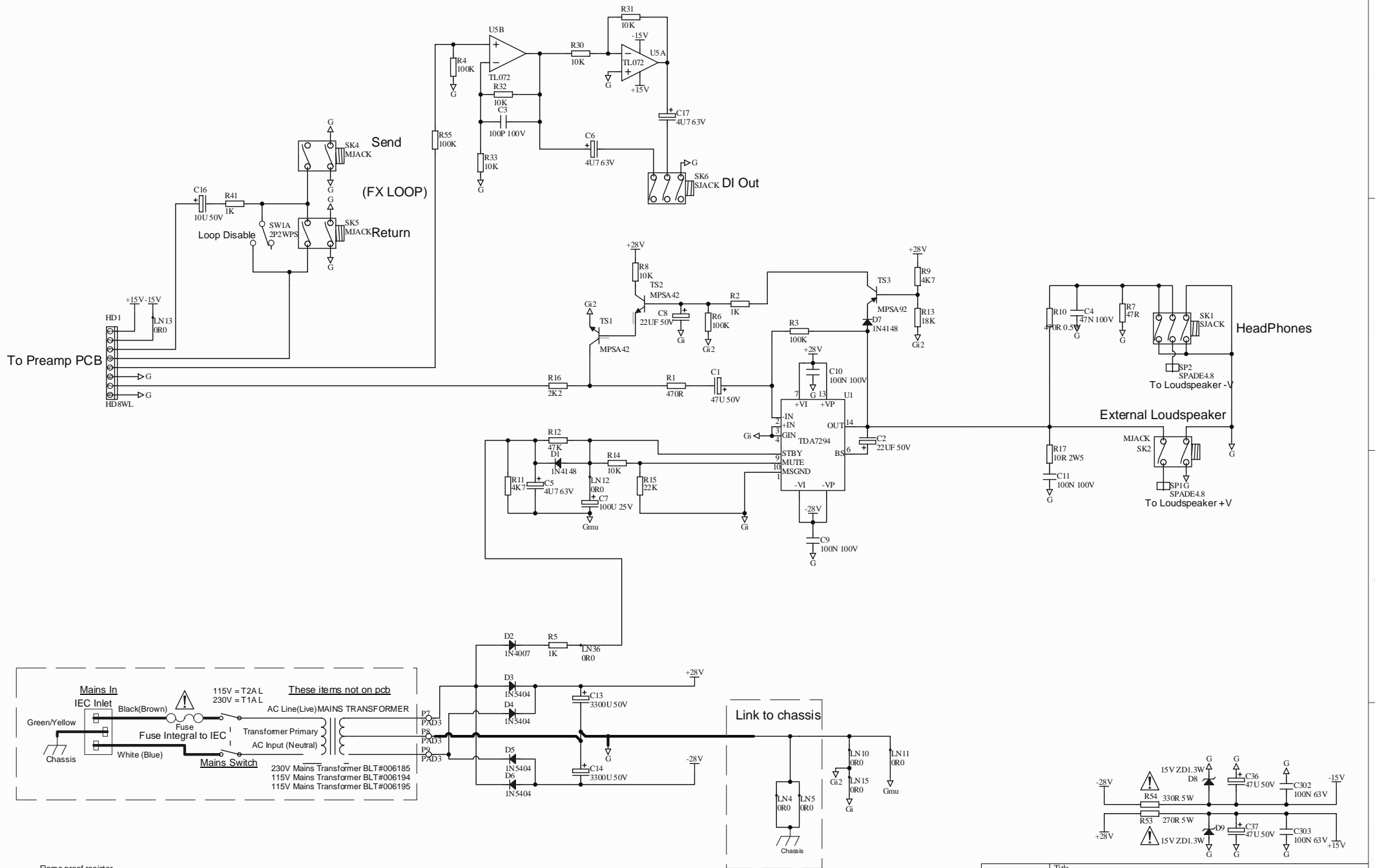


NOTE: All resistors to be 1/4W unless otherwise stated
 NOTE: All capacitors to be rated at 16V or higher

Flame proof resistor
 Must only be replaced with same type and rating

Indicates safety critical component
 Must only be replaced with approved type

		Title LA65C PREAMP	
		Size A3	Number 9363
Date: 26/05/2004	Sheet 1 of 1	Revision 4	Drawn By: Rich Thompson
File: D:\Work-in-Progress\9363_4.Sch		Drawn By: Rich Thompson	



Flame proof resistor
 Must only be replaced with same type and rating
 Indicates safety critical component
 Must only be replaced with approved type

		Title	
		LA65C OUTPUT PCB	
Size	Number	Revision	
A3		3	
Date:	26/05/2004	Sheet 1 of	1
File:	D:\Work-in-Progress\9364_3\9364_3.Sch	Drawn By:	Rich Thompson

LC65C SPARE PARTS LIST

Laney

Model No.		LA65C		
SPARES ITEM		DESCRIPTION	PART No.	
Mains Transformer	100V	5600-003149L 65W 100V Mains TX Vertical	006195	
	120V	5600-003148L 65W 120V Mains TX Vertical	006194	
	230V	5600-003147L 65W 230V Mains TX Vertical	006185	
Reverb Unit		Springline Reverb Unit (220mm)	005056	
Loudspeaker		Cliff L200 8 Ohm	10506	
Horn		Le-Son TLM-5	10507	
Switch	Power	5A DPDT Rocker Switch	530027	
Mains Fuse	100-120V	T2A 20mm Spiral Wound	005526	
	220-240V	T1A 20mm Spiral Wound	005530	
Corner	Front	Hooked Gold Finish	007082	
	Back	Non Hooked Gold Finish	007134	
Jack Sockets		Stereo Jack Socket PCB Mount	005003	
		1/4 Jack Socket PCB Mount	005002	
PCB	9363	LA65C Preamp PCB Complete	007096	
	Pots	VR1/2	100K Log 6mm Spline	004062
		VR3/4/7/8/9	22K Lin 6mm Spline	004061
		VR10	100K Antilog Dual 6mm Spline	004075
		VR6/11	4K7 Lin 6mm Spline	004072
		VR12	100K Antilog 6mm Spline	007002
	Switch	SW3	2P2W Push Switch	005017
		SW1/2	4P2W Piggyback Push Switch	005300
	Socket	SK4	XLR3F Female Socket	005054
		9364	LA65C Output PCB Complete	007095
	Switch	SW1	2P2W Push Switch	005017
Badge		Gold Laney Badge	10061	
Control Knob		Round Black/Yellow Line	005653	
Handle		LA65C Strap Handle (gold Caps)	007089	
Mains Inlet Socket		IEC Mains Inlet Socket Fused	005005	
Phono Sockets		Vertical Phono 90 Deg PCB Mount	005058	
Mains Lead		Country Dependant		
Feet		Screw on Rubber Feet	10059	
Output / Safety Critical Device	1	TDA7294 100V 100W Audio Amplifier IC	003401	
	2	3300uF 50V Radial Capacitor	002044	
	3	330R 5W Resistor	001706	
	4	270R 5W Resistor	001702	
	5	220R 2.5W Resistor	001501	
Cabinet Minus Loudspeaker		Carcass minus L/Speaker LA65C	007088	
Manual		LA65C User Manual	007099	