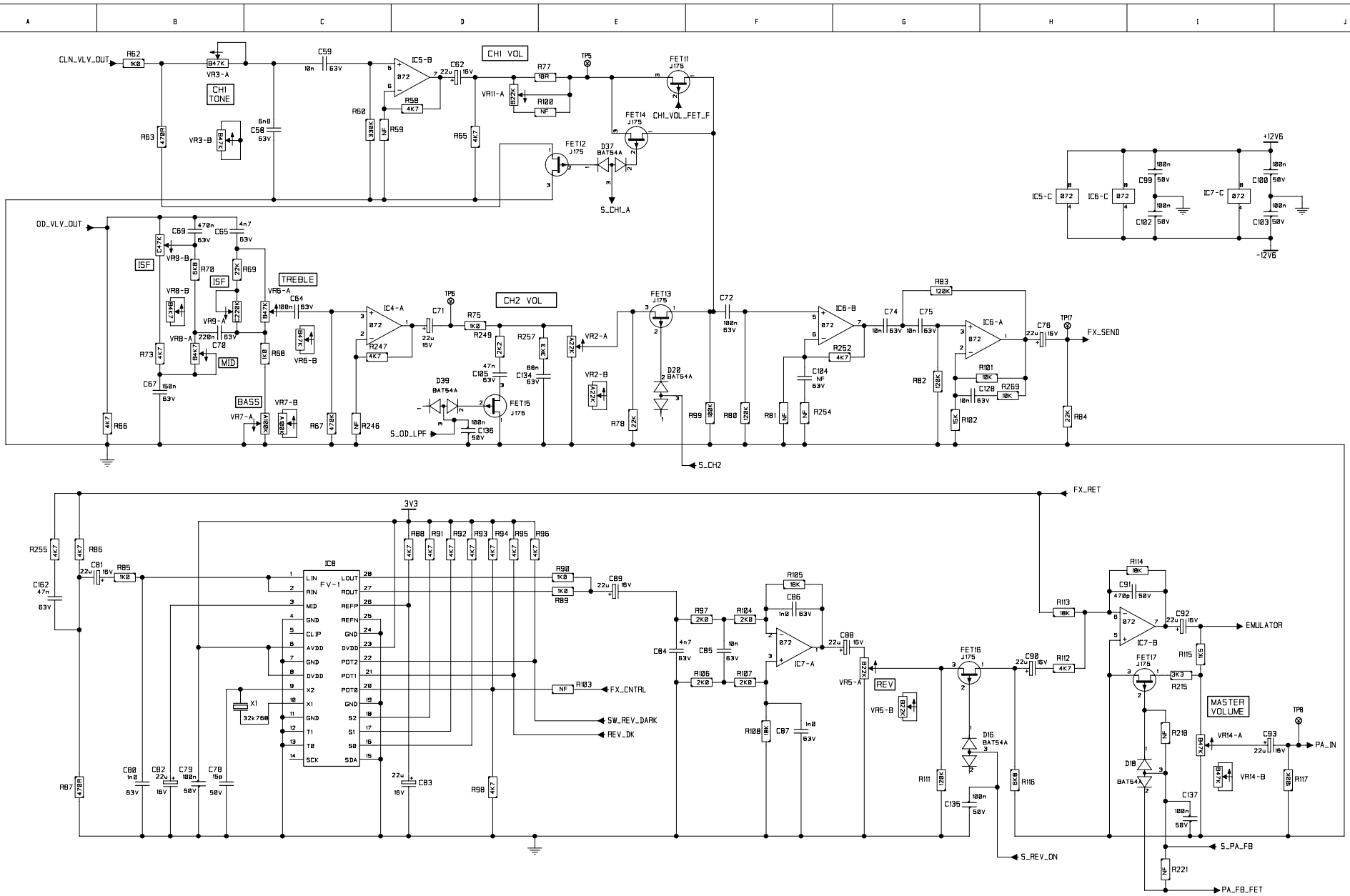


XX	CN1234	01-01-01	0XA
ISSUE	ECO No.	DATE	INITIAL

Blackstar
AMPLIFICATION
 COPYRIGHT EXISTS ON THIS DOCUMENT. IT MUST NOT BE USED FOR ANY PURPOSE OTHER THAN THAT FOR WHICH IT WAS SUPPLIED AND MUST NOT BE COPIED IN WHOLE OR PART WITHOUT WRITTEN PERMISSION OF BLACKSTAR AMPLIFICATION.

DWG No.	ISS:	SHT. 1	TITLE
	1B	OF 4	MAIN PCB
DRAWN BY	DATE		INPUT STAGES
CLIFF BROWN	18-12-09		
CHECKED BY	DATE		MODEL
			HT CLUB 40
APPROVED BY	DATE		

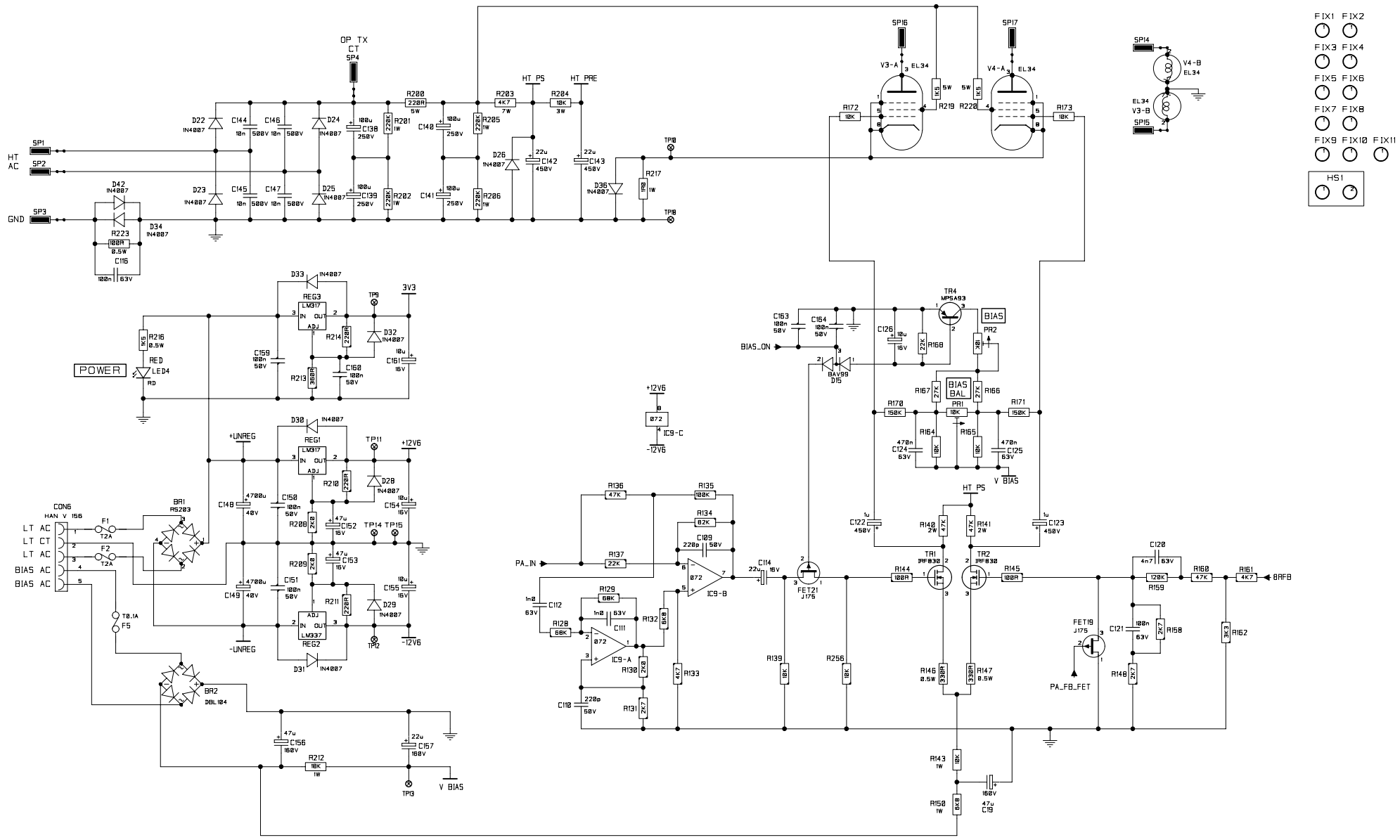


Blackstar AMPLIFICATION

COPYRIGHT EXISTS ON THIS DOCUMENT. IT MUST NOT BE USED FOR ANY PURPOSE OTHER THAN THAT FOR WHICH IT WAS SUPPLIED AND MUST NOT BE COPIED IN WHOLE OR PART WITHOUT WRITTEN PERMISSION OF BLACKSTAR AMPLIFICATION

XX	CN1234	01-01-01	0XA
ISSUE	ECO No.	DATE	INITIAL

DWG No.	ISS:	SHT. 2	TITLE
	1B	OF 4	MAIN PCB
DRAWN BY	DATE		EQ & REVERB
CLIFF BROWN	18-12-09		
CHECKED BY	DATE		MODEL
			HT CLUB 40
APPROVED BY	DATE		



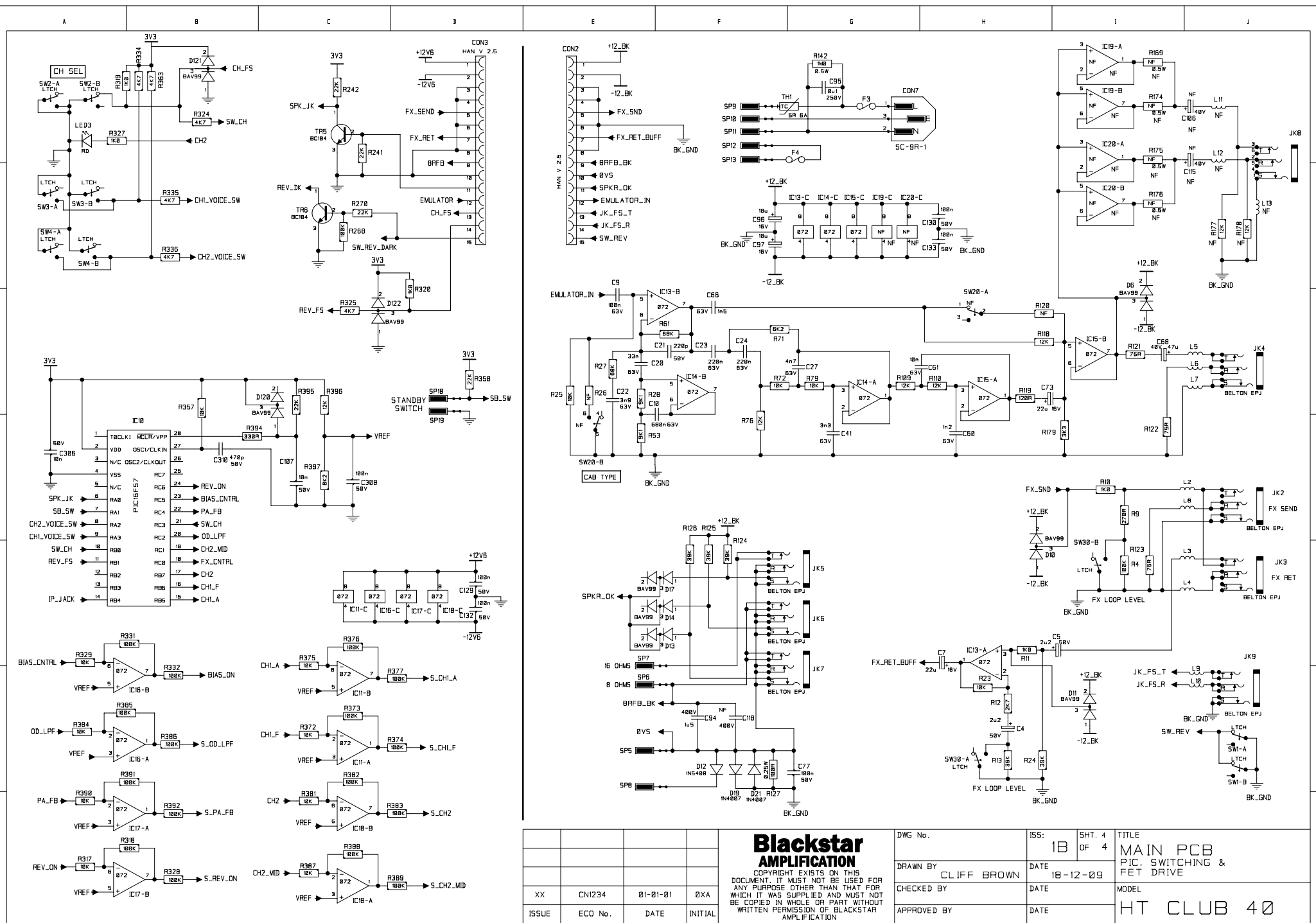
- FIX1
- FIX2
- FIX3
- FIX4
- FIX5
- FIX6
- FIX7
- FIX8
- FIX9
- FIX10
- FIX11
- HS1

Blackstar AMPLIFICATION

COPYRIGHT EXISTS ON THIS DOCUMENT. IT MUST NOT BE USED FOR ANY PURPOSE OTHER THAN THAT FOR WHICH IT WAS SUPPLIED AND MUST NOT BE COPIED IN WHOLE OR PART WITHOUT WRITTEN PERMISSION OF BLACKSTAR AMPLIFICATION

XX	CN1234	01-01-01	0XA
ISSUE	ECO No.	DATE	INITIAL

DWG No.	ISS.	SHT.	TITLE
	1B	3 OF 4	MAIN PCB
DRAWN BY	DATE		PSU & PHASE SPLITTER
CLIFF BROWN	18-12-09		
CHECKED BY	DATE		MODEL
			HT CLUB 40
APPROVED BY	DATE		

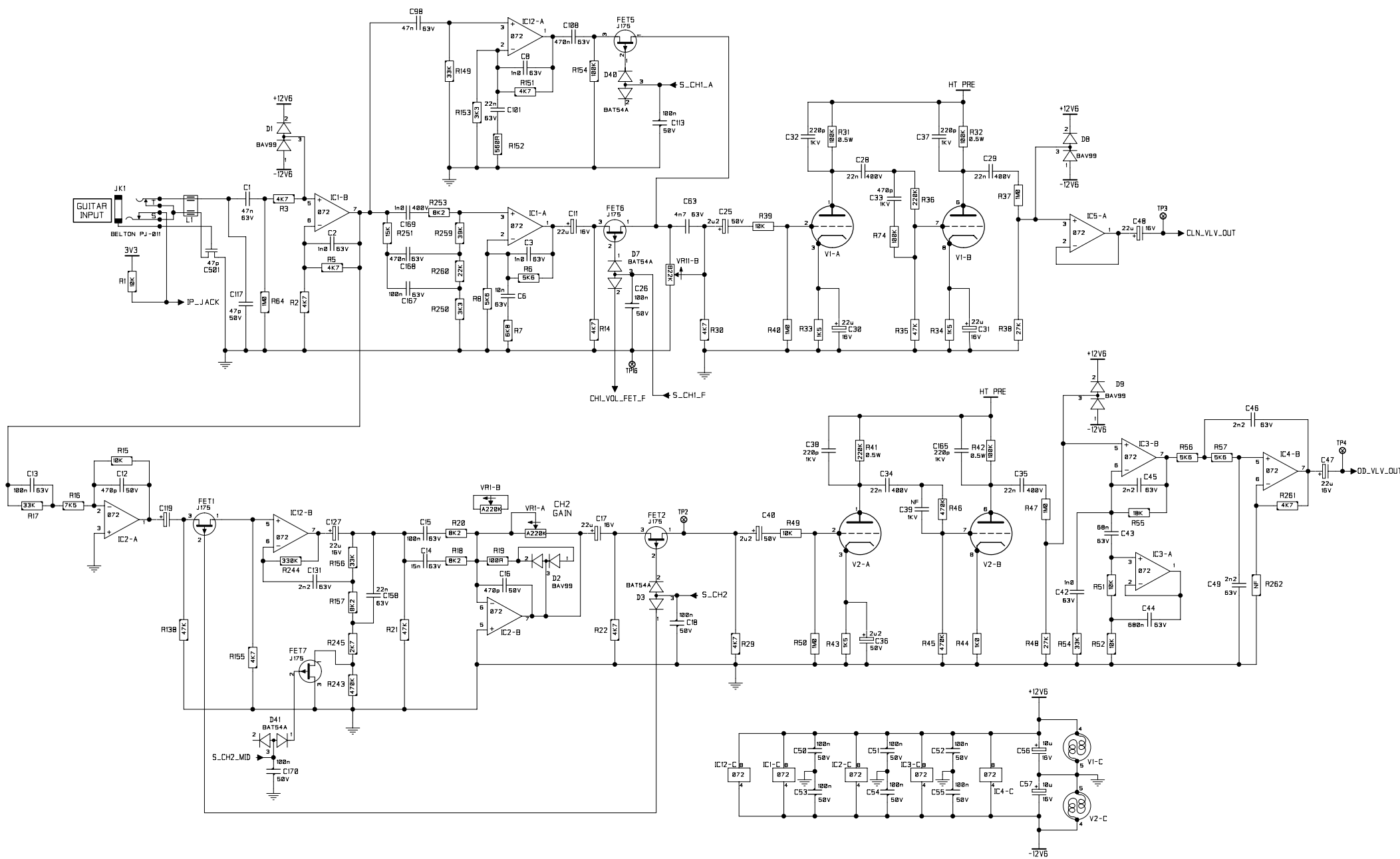


Blackstar AMPLIFICATION

DOCUMENT. IT MUST NOT BE USED FOR ANY PURPOSE OTHER THAN THAT FOR WHICH IT WAS SUPPLIED AND MUST NOT BE COPIED IN WHOLE OR PART WITHOUT WRITTEN PERMISSION OF BLACKSTAR AMPLIFICATION

XX	CN1234	01-01-01	0XA
ISSUE	ECO No.	DATE	INITIAL

DWG No.	ISS.	SHT. 4	TITLE
	1B	OF 4	MAIN PCB
DRAWN BY	DATE		PIC, SWITCHING & FET DRIVE
CHECKED BY	DATE		MODEL
APPROVED BY	DATE		HT CLUB 40



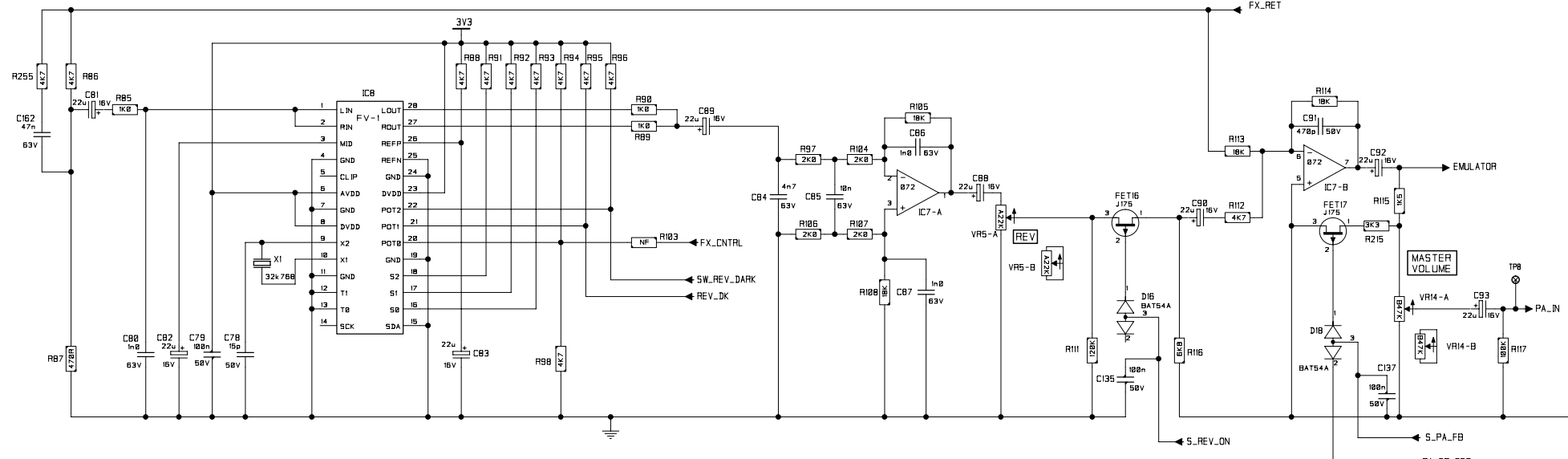
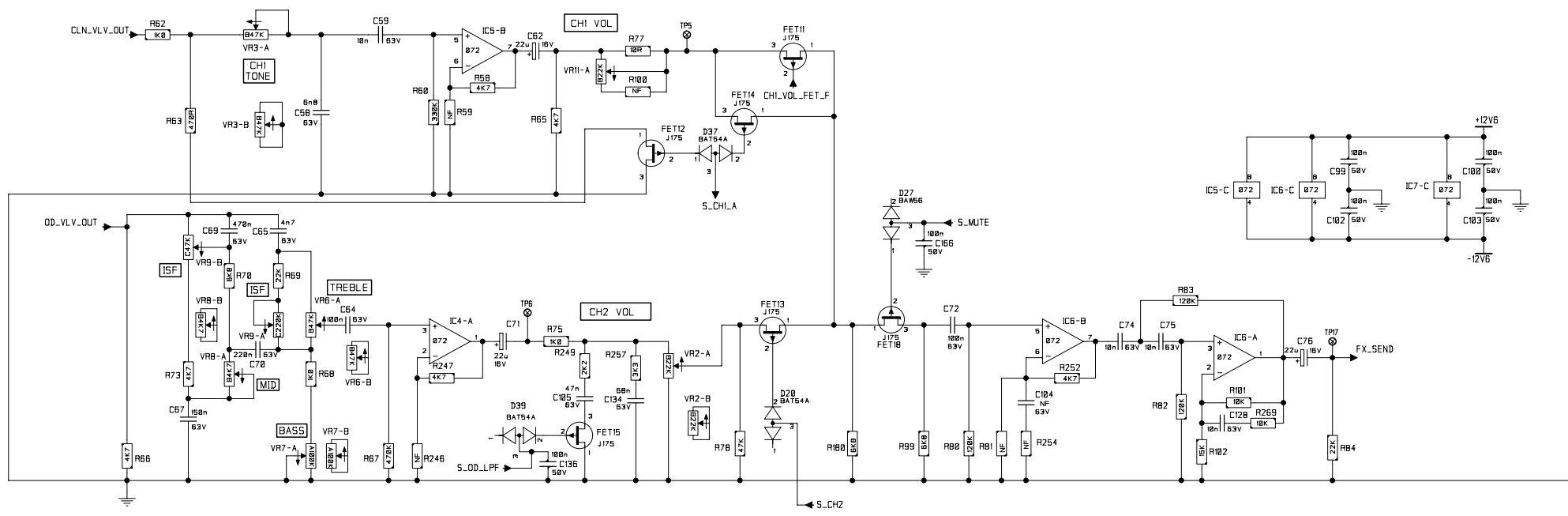
XX	CN1234	01-01-01	0XA
ISSUE	ECO No.	DATE	INITIAL

**Blackstar
AMPLIFICATION**

COPYRIGHT EXISTS ON THIS DOCUMENT. IT MUST NOT BE USED FOR ANY PURPOSE OTHER THAN THAT FOR WHICH IT WAS SUPPLIED AND MUST NOT BE COPIED IN WHOLE OR PART WITHOUT WRITTEN PERMISSION OF BLACKSTAR AMPLIFICATION

DWG No.	ISS:	SHT. 1	TITLE
DRAWN BY	DATE	OF 4	MAIN PCB
CHECKED BY	DATE		INPUT STAGES
APPROVED BY	DATE		MODEL

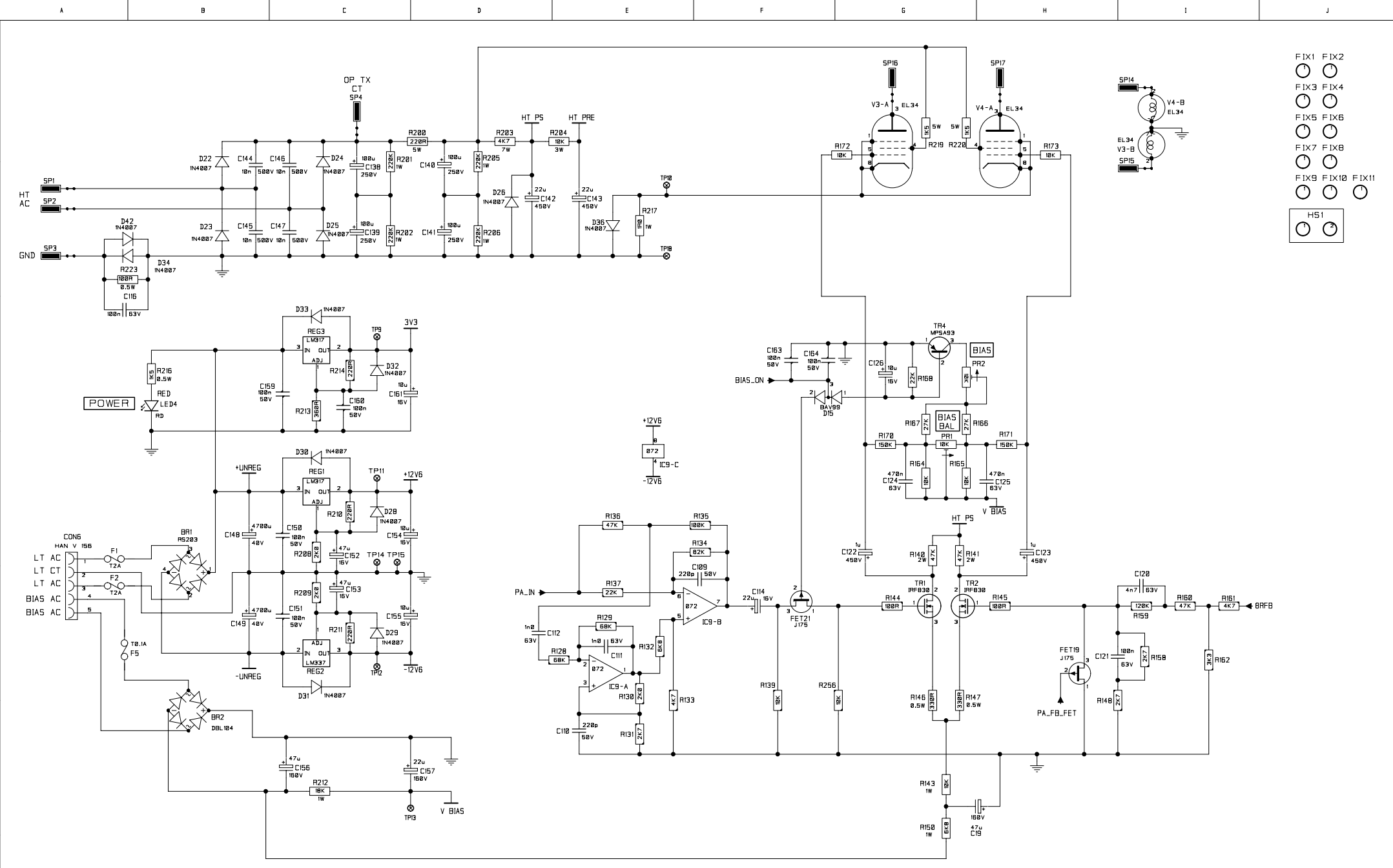
DATE	DATE	HT CLUB 40
------	------	------------



Blackstar
AMPLIFICATION
 COPYRIGHT EXISTS ON THIS DOCUMENT. IT MUST NOT BE USED FOR ANY PURPOSE OTHER THAN THAT FOR WHICH IT WAS SUPPLIED AND MUST NOT BE COPIED IN WHOLE OR PART WITHOUT WRITTEN PERMISSION OF BLACKSTAR AMPLIFICATION

XX	CN1234	01-01-01	0XA
ISSUE	ECO No.	DATE	INITIAL

DWG No.	ISS:	SHT. 2	TITLE
	3A	OF 4	MAIN PCB
DRAWN BY	DATE		EQ & REVERB
CHECKED BY	DATE		MODEL
APPROVED BY	DATE		HT CLUB 40

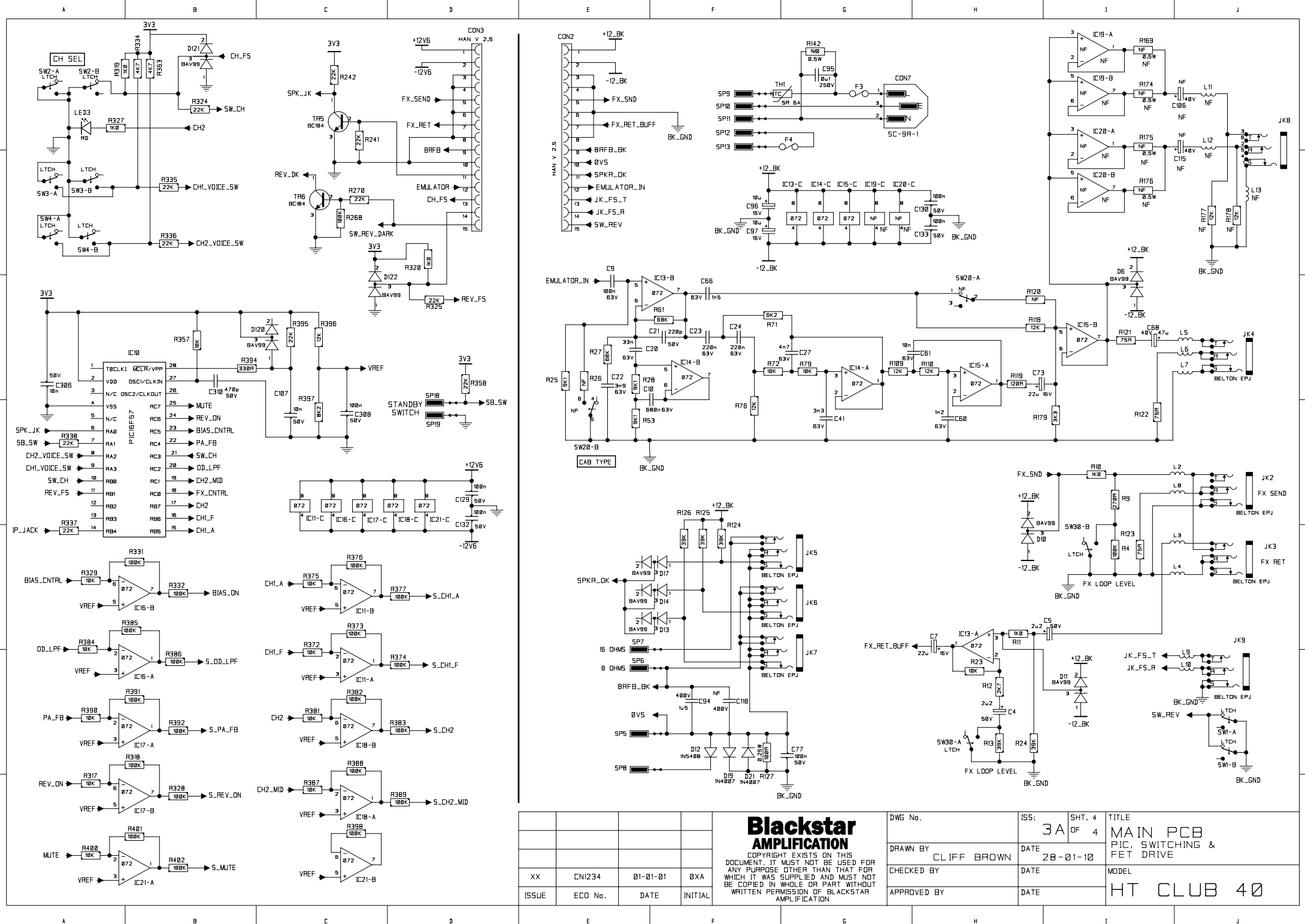


- FIX1
 - FIX2
 - FIX3
 - FIX4
 - FIX5
 - FIX6
 - FIX7
 - FIX8
 - FIX9
 - FIX10
 - FIX11
- HS1

Blackstar
AMPLIFICATION
 COPYRIGHT EXISTS ON THIS DOCUMENT. IT MUST NOT BE USED FOR ANY PURPOSE OTHER THAN THAT FOR WHICH IT WAS SUPPLIED AND MUST NOT BE COPIED IN WHOLE OR PART WITHOUT WRITTEN PERMISSION OF BLACKSTAR AMPLIFICATION.

XX	CN1234	01-01-01	0XA
ISSUE	ECO No.	DATE	INITIAL

DWG No.	ISS: 3A	SHT. 3 OF 4	TITLE: MAIN PCB
DRAWN BY: CLIFF BROWN	DATE: 28-01-10	PSU & PHASE SPLITTER	
CHECKED BY:	DATE:	MODEL:	
APPROVED BY:	DATE:	HT CLUB 40	



Blackstar AMPLIFICATION

COPYRIGHT EXISTS ON THIS DOCUMENT. IT MUST NOT BE USED FOR ANY PURPOSE OTHER THAN THAT FOR WHICH IT WAS SUPPLIED AND MUST NOT BE COPIED IN WHOLE OR PART WITHOUT WRITTEN PERMISSION OF BLACKSTAR AMPLIFICATION

DWG No.	ISS:	SHT. 4	TITLE
DATE	3A	OF 4	MAIN PCB PIC, SWITCHING & FET DRIVE
DRAWN BY	DATE	DATE	MODEL
CLIFF BROWN	28-01-10		HT CLUB 40
CHECKED BY	DATE		
APPROVED BY	DATE		

XX	CN1234	01-01-01	0XA
ISSUE	ECO No.	DATE	INITIAL