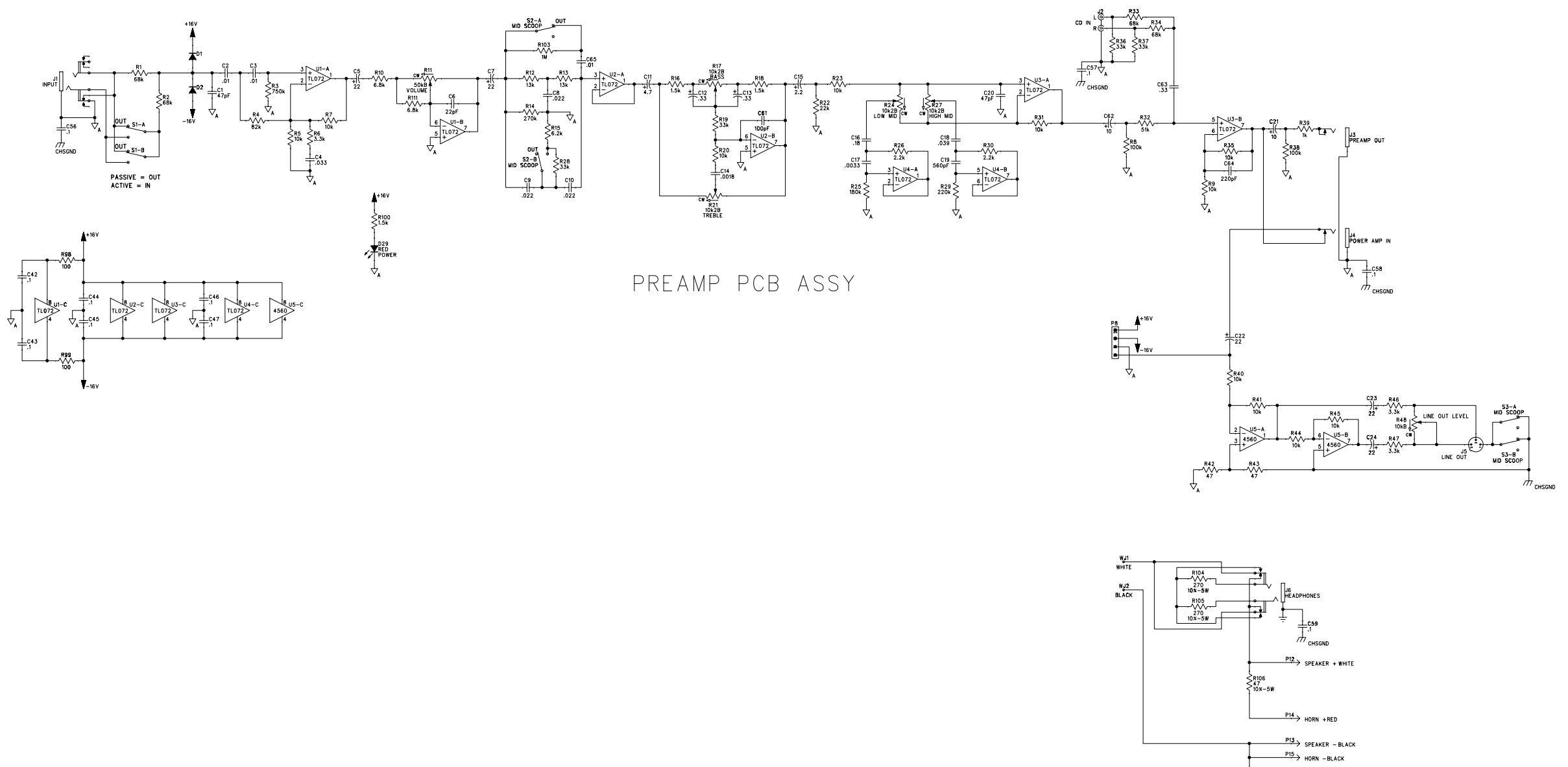


8 7 6 5 4 3 2 1

REVISIONS			
REV.	DESCRIPTION	DATE	APPROVED
A	PR559	26-NOV-03	dBL



PREAMP PCB ASSY

6. LAST REFERENCE DESIGNATORS USED: C61, D35, F1, J6, P15, Q22, R106, S3, U8.
5. THIS SCHEMATIC IS FOR PCB FABRICATION P/N 0061558000 AND PCB ASSEMBLY P/N 0061558000 (PREAMP).
PCB FABRICATION P/N 0061560000 AND PCB ASSEMBLY P/N 0061559000 (POWER AMP).
4. ALL DIODES ARE 1N4448.
3. ALL POLARIZED CAPACITORS IN μ F, 20%: 25V MINIMUM.
2. ALL UNPOLARIZED CAPACITORS IN μ F, 10% OR BETTER: 50V MINIMUM. (POWER SUPPLY BYPASS CAPACITORS ARE 20%).
1. ALL RESISTORS IN OHMS, 5%: 1/4W.
- NOTES: (UNLESS OTHERWISE NOTED)

THIS DOCUMENT CONTAINS INFORMATION OF A PROPRIETARY NATURE TO FENDER MUSICAL INSTRUMENTS AND IS SUBMITTED TO YOU IN CONFIDENCE AND SHALL NOT BE DISCLOSED OR TRANSMITTED TO OTHERS WITHOUT AUTHORIZATION FROM FENDER MUSICAL INSTRUMENTS.

CHECKED BY: _____
DATE: _____

APPROVED BY: _____
DATE: _____

DRAWN: MUJ/dBL ENGR: MUJ/dBL
DATABASE FILE: Z55951.SCH

Fender MUSICAL INSTRUMENTS
Corona, CA U.S.A.

TITLE: SERVICE DIAGRAM, COMBINED (schematic)
RUMBLE 100
BASS AMPLIFIER

SIZE	DRAWING NUMBER	REV.
D	0061557000	A

RELEASE DATE: 26-NOV-02 SHEET: 1 OF 4

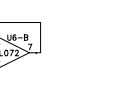
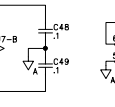
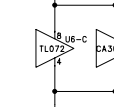
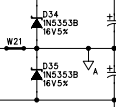
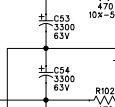
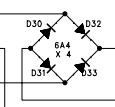
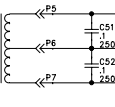
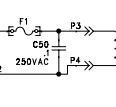
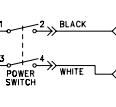
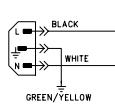
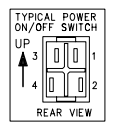
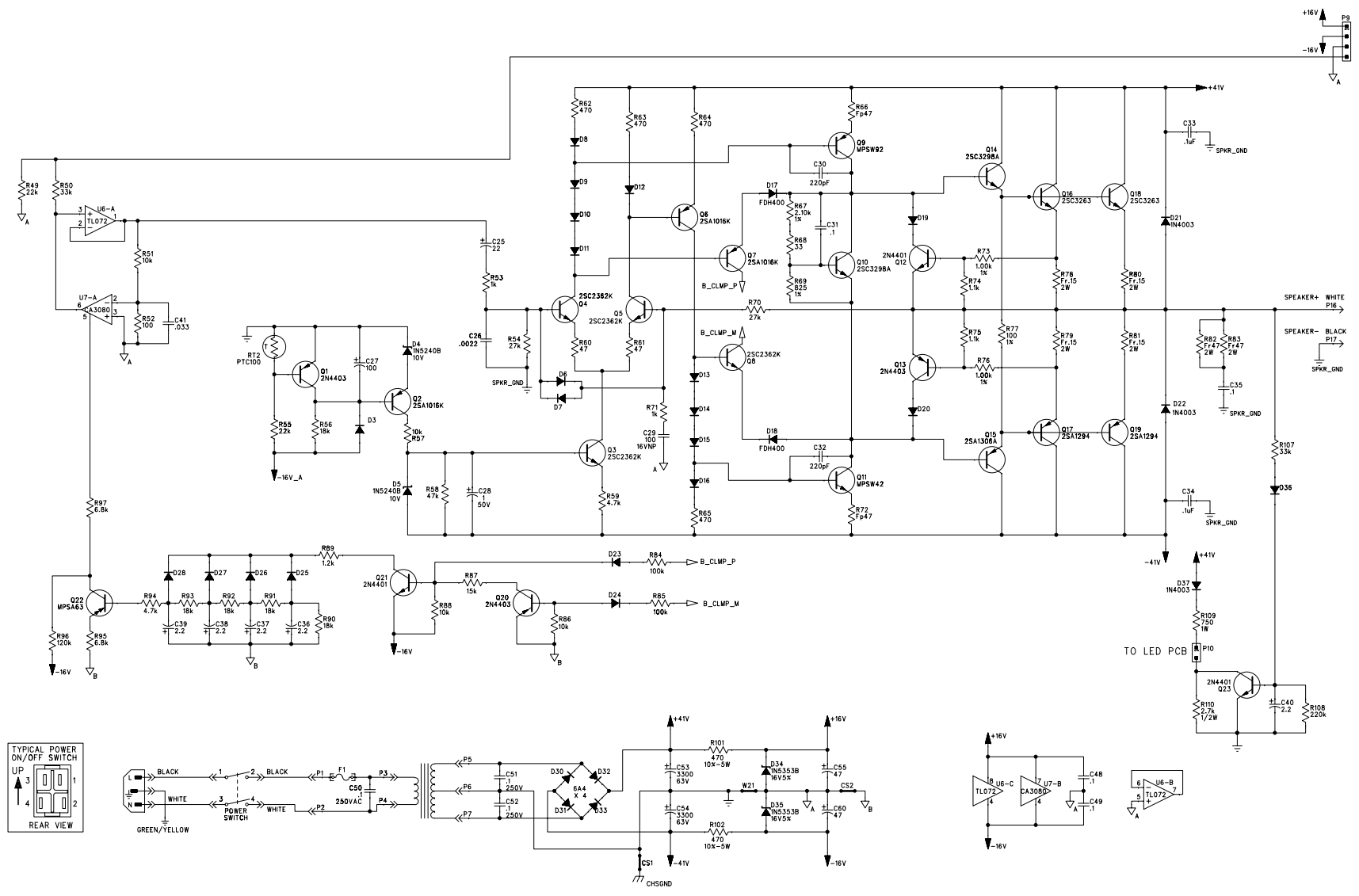
8 7 6 5 4 3 2 1

8 7 6 5 4 3 2 1

REVISIONS			
REV.	DESCRIPTION	DATE	APPROVED
A	PR559	26-NOV-02	dBL

D
C
B
A

D
C
B
A



POWER AMP PCB ASSEMBLY

- NOTES: (UNLESS OTHERWISE NOTED)
1. ALL RESISTORS IN OHMS, 5%; 1/4W.
 2. ALL UNPOLARIZED CAPACITORS IN uF, 10% OR BETTER; 50V MINIMUM. (POWER SUPPLY BYPASS CAPACITORS ARE 20%).
 3. ALL POLARIZED CAPACITORS IN uF, 20%; 25V MINIMUM.
 4. ALL DIODES ARE 1N4448.
 5. THIS SCHEMATIC IS FOR PCB FABRICATION P/N 0061558000 AND PCB ASSEMBLY P/N 0061558000 (PREAMP), PCB FABRICATION P/N 0061560000 AND PCB ASSEMBLY P/N 0061559000 (POWER AMP).
 6. LAST REFERENCE DESIGNATORS USED: C61, D35, F1, J6, P15, Q22, R104, S3, U8.

THIS DOCUMENT CONTAINS INFORMATION OF A PROPRIETARY NATURE TO FENDER MUSICAL INSTRUMENTS AND IS SUBMITTED TO YOU IN CONFIDENCE AND SHALL NOT BE DISCLOSED OR TRANSMITTED TO OTHERS WITHOUT AUTHORIZATION FROM FENDER MUSICAL INSTRUMENTS.

Fender MUSICAL INSTRUMENTS
Corona, CA U.S.A.

CHECKED BY: _____
DATE: _____

APPROVED BY: _____
DATE: _____

DRAWN: MU/dBL ENGR: MU/dBL
DATABASE FILE: Z55952.SCH

TITLE: SERVICE DIAGRAM, COMBINED (schematic)
RUMBLE 100
BASS AMPLIFIER

SIZE: D DRAWING NUMBER: 0061557000 REV. A
RELEASE DATE: 26-NOV-02 SHEET: 2 OF 4

8 7 6 5 4 3 2 1