

Light Bulb Current Limiter

By M. Manning & R. Pancotti

Disclaimer: No warranties expressed or implied - Use at your own risk!



Install grommet and knot cord or use cable clamp connector

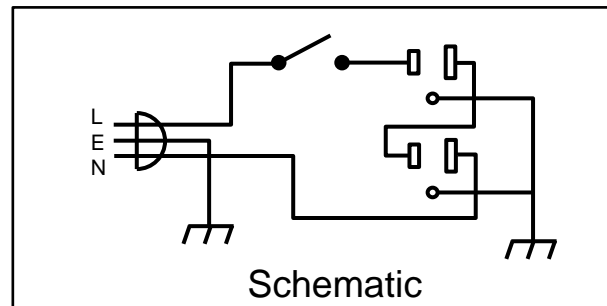
Max current is determined by wattage of bulb used:
@ 120VAC 7W = 58mA, 25W = 208mA, 40W = 330mA, 60W = 500mA, 100W = 830mA

Ground power cord and duplex outlet to box

Parts List:

Drawn Square Junction Box, 1-1/2" deep
Duplex Receptacle/Toggle Switch Cover
Duplex Receptacle with Ground
SPST Toggle Switch
Grounded Power Cord
Rubber Grommet to fit 3/4" Knockout Hole
Medium Base Socket Adapter
Incandescent light bulbs, various wattages

Important - break connector from brass plates on both sides



Schematic



