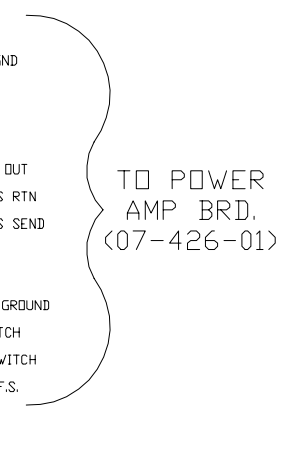
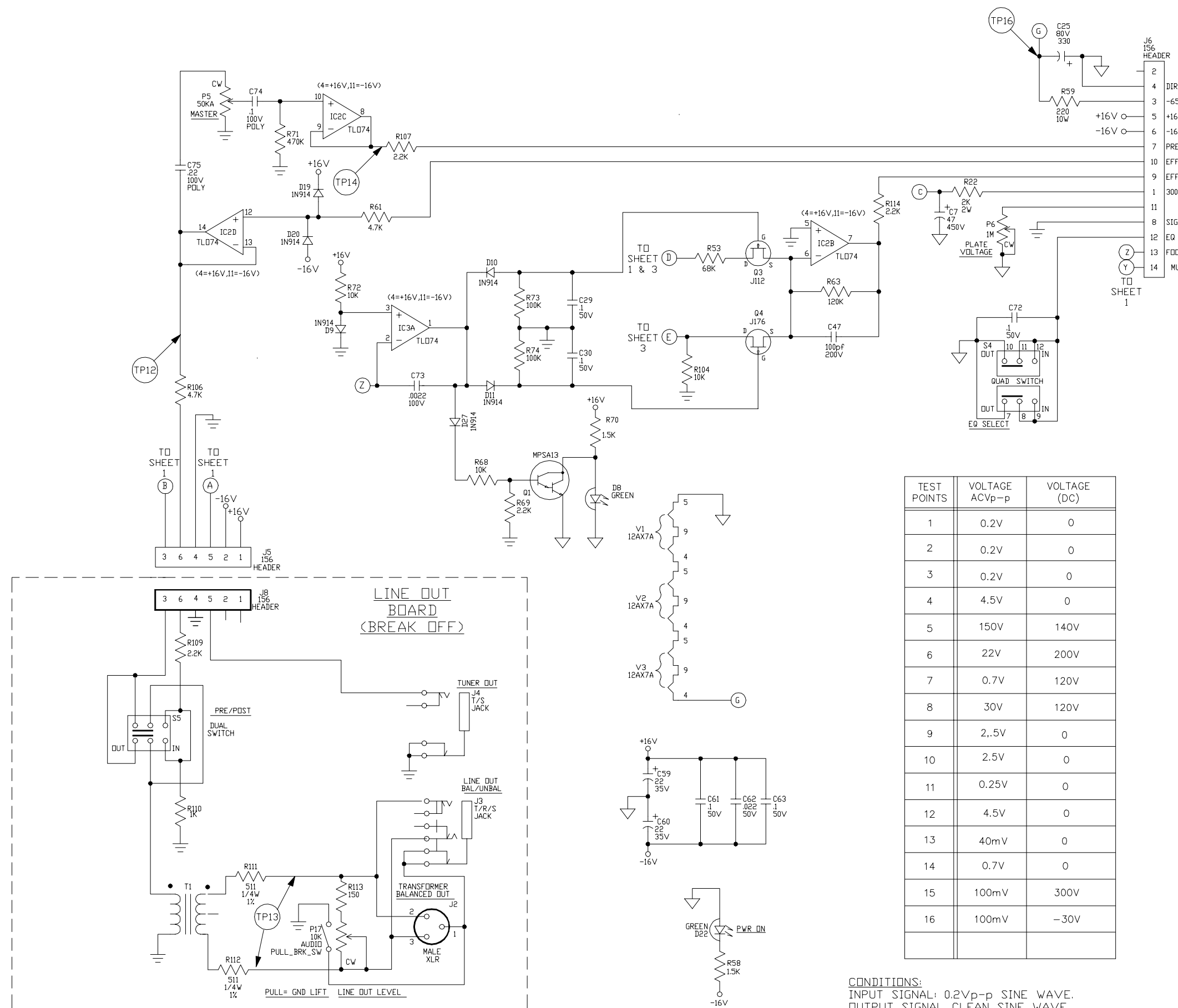


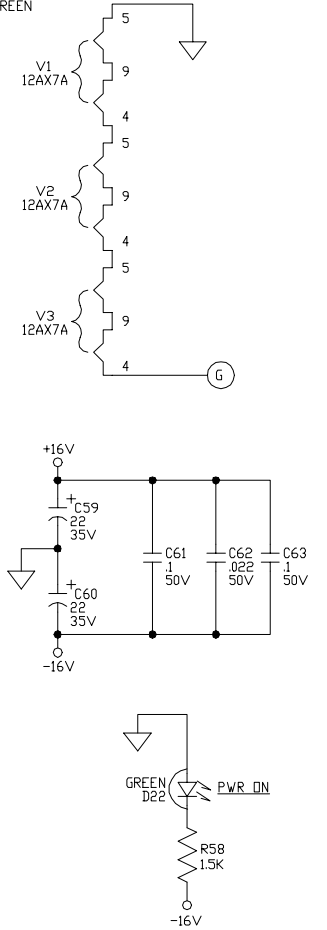
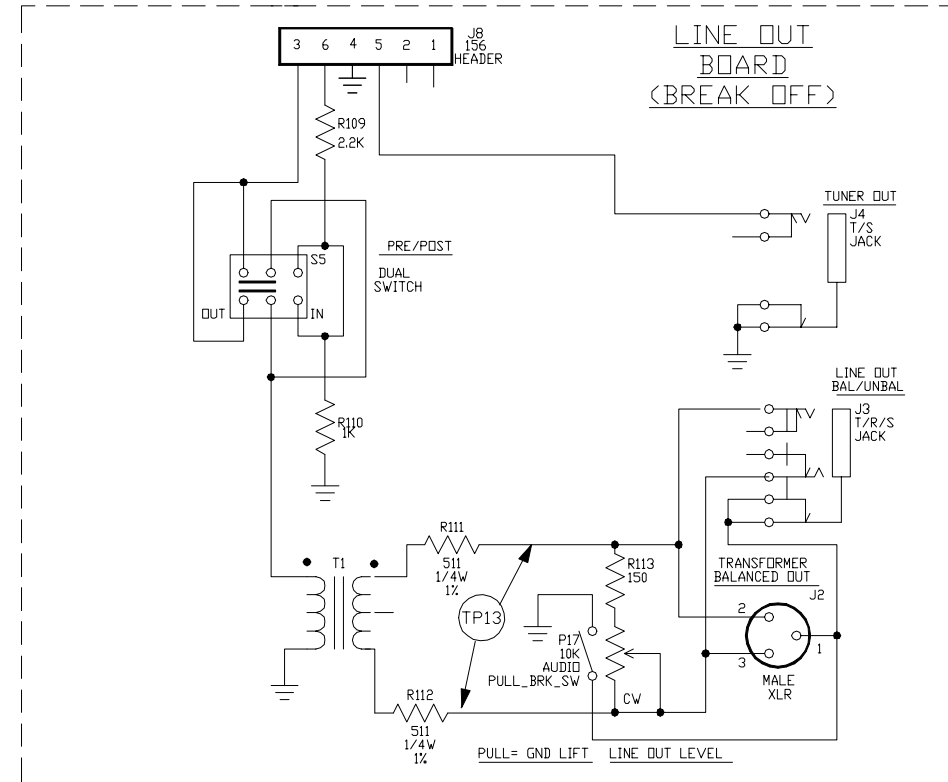
- NOTES**
- 1) CAUTION: SHOCK HAZARD!! THIS UNIT CONTAINS HAZARDOUS VOLTAGE. DISCONNECT POWER AND BE SURE POWER SUPPLY IS DISCHARGED BEFORE TOUCHING INTERNAL PARTS.
  - 2) UNLESS NOTED, RESISTOR VALUES IN OHMS, 1/4W-5% TOL. CAPACITOR VALUES IN MICROFARADS, 50V-10% TOL.
  - 3) VOLTAGES ARE MEASURED WITH 1 MEGOHM OSCILLOSCOPE AND 10 MEGOHM DIGITAL VOLTMETER.
  - 4) CHASSIS GROUND  $\text{---}$  DIRTY GROUND  $\text{---}$  SIGNAL GROUND  $\text{---}$

|   |         |                                      |             |  |            |       |
|---|---------|--------------------------------------|-------------|--|------------|-------|
| B   | 8/10/99 | EQ ON PARTS ADDED TO ASSY PARTS LIST | R00131      | REM  |            |       |
| A   |         | INITIAL ISSUE                        |             |  |            |       |
| REV:  | DATE:   | DESCRIPTION                          | ECR/EON NO: | CHNG'D BY:                                 | APPR'D BY: | DATE: |
| THE INFORMATION CONTAINED ON THIS DRAWING IS PROPRIETARY TO ST. LOUIS MUSIC, INC. |         |                                      |             |  |            |       |
| SIGNATURES:   |         | DATE:                                |             | 11880 Borman Dr. St. Louis, Missouri 63146 |            |       |
| DRAWN:  | REM     | 3/10/99                              |             | FIRST USED ON:                             |            |       |
| CHK'D:  |         |                                      |             | SVT3PROa                                   |            |       |
| RLS'D:  |         |                                      |             | DRAWING TITLE:                             |            |       |
| TOLERANCES:   |         | DRAWING SIZE: D                      |             | DRAWING NO.:                               |            |       |
|   |         | DRAWING TYPE: SCHEMATIC              |             | SCHEMATIC - PREAMP                         |            |       |
|   |         | CLASS CODE:                          |             | DRAWING NO.:                               |            |       |
|   |         | SCALE: NONE                          |             | SHEET: 1 OF 3                              |            |       |
|   |         |                                      |             | 07S534-XX                                  |            |       |

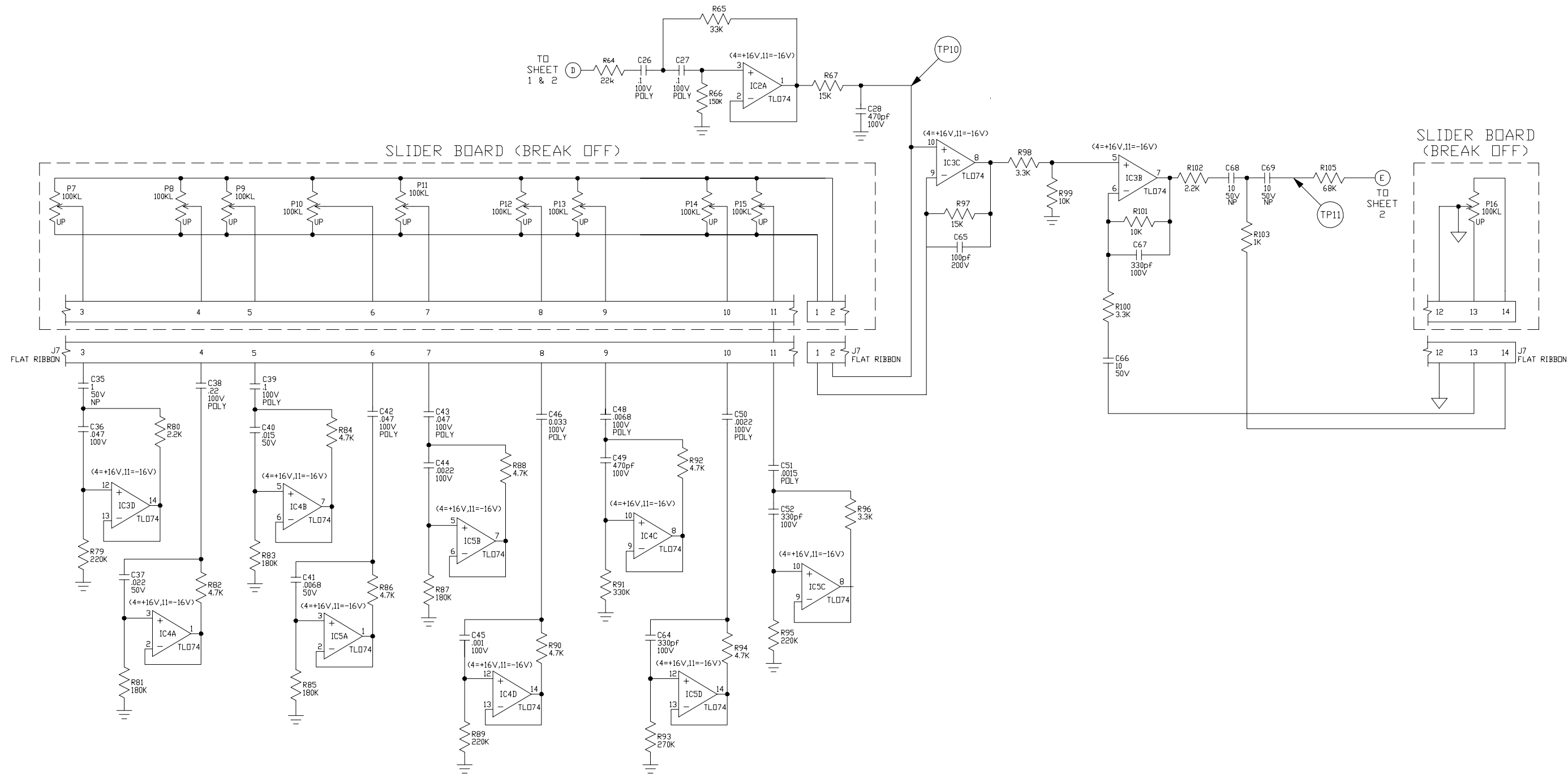


| TEST POINTS | VOLTAGE ACVp-p | VOLTAGE (DC) |
|-------------|----------------|--------------|
| 1           | 0.2V           | 0            |
| 2           | 0.2V           | 0            |
| 3           | 0.2V           | 0            |
| 4           | 4.5V           | 0            |
| 5           | 150V           | 140V         |
| 6           | 22V            | 200V         |
| 7           | 0.7V           | 120V         |
| 8           | 30V            | 120V         |
| 9           | 2.5V           | 0            |
| 10          | 2.5V           | 0            |
| 11          | 0.25V          | 0            |
| 12          | 4.5V           | 0            |
| 13          | 40mV           | 0            |
| 14          | 0.7V           | 0            |
| 15          | 100mV          | 300V         |
| 16          | 100mV          | -30V         |

CONDITIONS:  
 INPUT SIGNAL: 0.2Vp-p SINE WAVE.  
 OUTPUT SIGNAL CLEAN SINE WAVE.  
 LINE OUTPUT CONTROL @ "10".  
 PRE/POST "OUT"

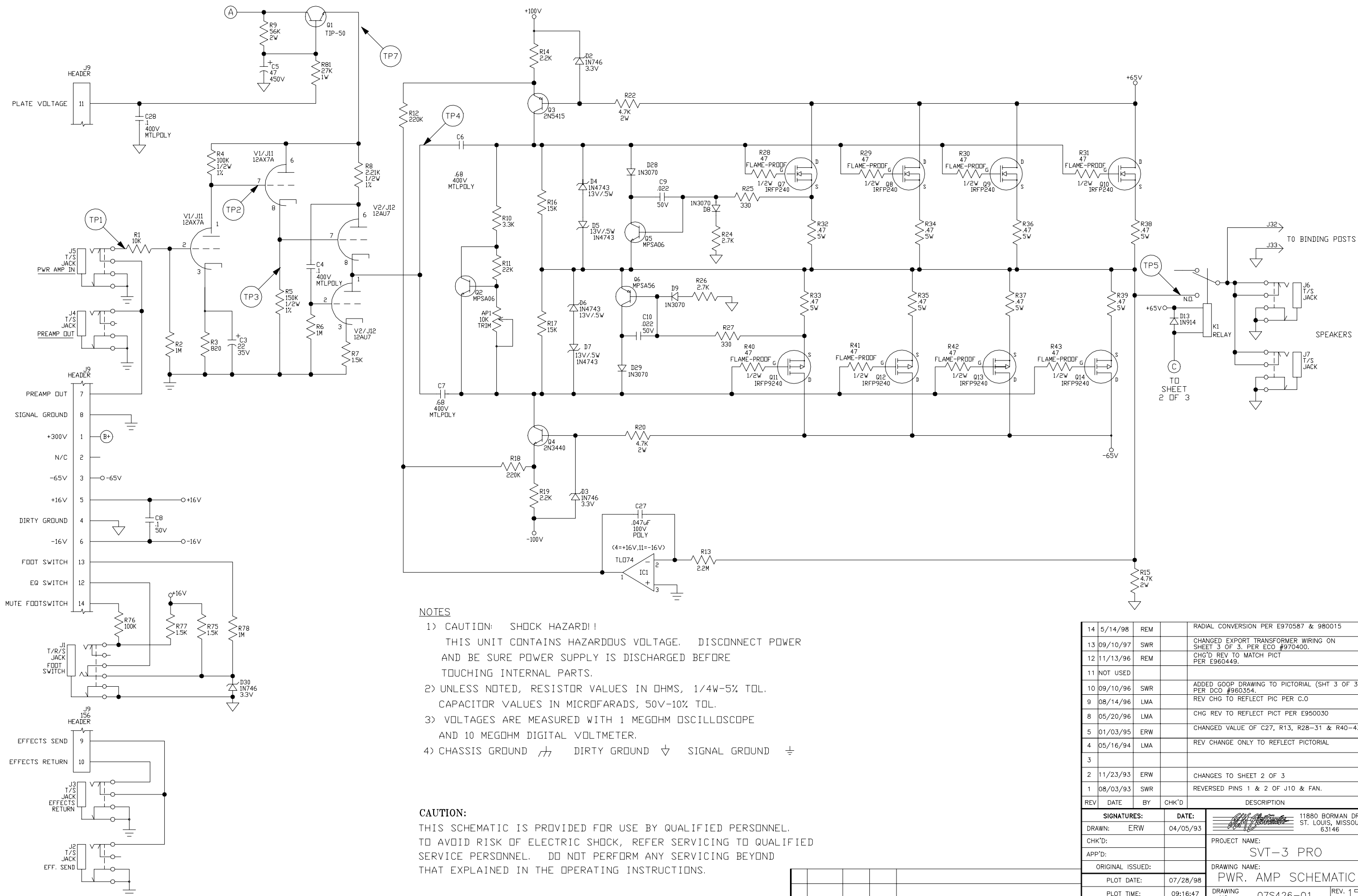


|   |         |                                      |             |                                   |            |       |
|---|---------|--------------------------------------|-------------|-----------------------------------|------------|-------|
| B   | 8/10/99 | EQ ON PARTS ADDED TO ASSY PARTS LIST | R00131      | REM                               |            |       |
| A   |         | INITIAL ISSUE                        |             |                                   |            |       |
| REV:  | DATE:   | DESCRIPTION                          | ECR/ECN NO: | CHNG'D BY:                        | APPR'D BY: | DATE: |
| THE INFORMATION CONTAINED ON THIS DRAWING IS PROPRIETARY TO ST. LOUIS MUSIC, INC. |         |                                      |             |                                   |            |       |
| SIGNATURES:   |         | DATE:                                |             | FIRST USED ON:                    |            |       |
| DRAWN: REM  |         | 3/10/99                              |             | SVT3PROa                          |            |       |
| CHK'D:  |         |                                      |             | DRAWING TITLE: SCHEMATIC - PREAMP |            |       |
| RLS'D:  |         |                                      |             | DRAWING NO.: 07S534-XX            |            |       |
| TOLERANCES:   |         | DRAWING SIZE: D                      |             | SCALE: NONE SHEET: 2 OF 3         |            |       |
|   |         | DRAWING TYPE: SCHEMATIC              |             |                                   |            |       |



|   |         |                                      |             |                                   |            |       |
|---|---------|--------------------------------------|-------------|-----------------------------------|------------|-------|
| B   | 8/10/99 | EQ ON PARTS ADDED TO ASSY PARTS LIST | R00131      | REM                               |            |       |
| A   |         | INITIAL ISSUE                        |             |                                   |            |       |
| REV:  | DATE:   | DESCRIPTION                          | ECR/ECN NO: | CHNG'D BY:                        | APPR'D BY: | DATE: |
| THE INFORMATION CONTAINED ON THIS DRAWING IS PROPRIETARY TO ST. LOUIS MUSIC, INC. |         |                                      |             |                                   |            |       |
| SIGNATURES:   |         | DATE:                                |             | FIRST USED ON:                    |            |       |
| DRAWN: REM  |         | 3/10/99                              |             | SVT3PROα                          |            |       |
| CHK'D:  |         |                                      |             | DRAWING TITLE: SCHEMATIC - PREAMP |            |       |
| RLS'D:  |         |                                      |             | DRAWING NO.: 07S534-XX            |            |       |
| TOLERANCES:   |         | DRAWING SIZE: D                      |             | SCALE: NONE SHEET: 3 OF 3         |            |       |
|   |         | DRAWING TYPE: SCHEMATIC              |             |                                   |            |       |

11880 Borman Dr.  
St. Louis, Missouri  
63146




**NOTES**

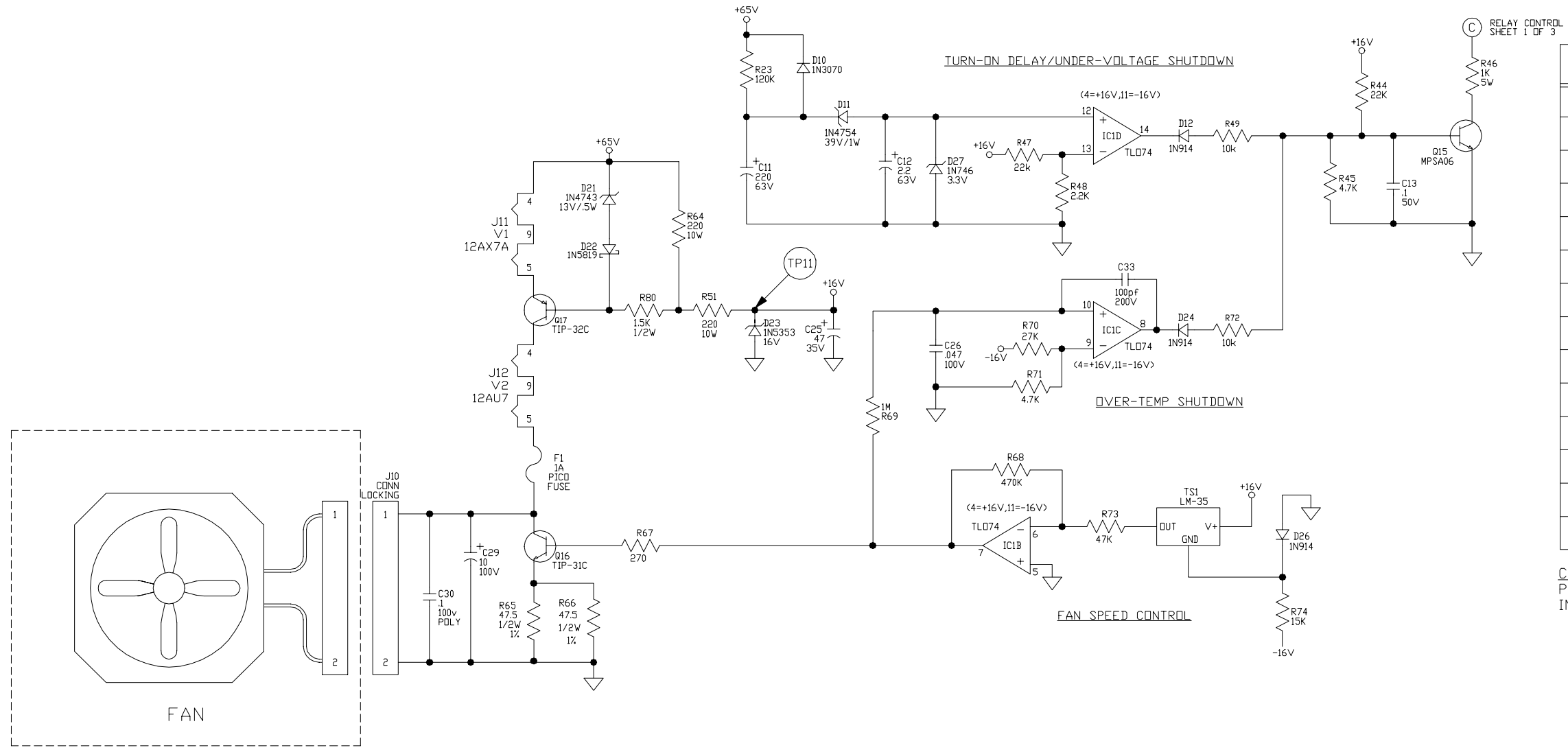
- 1) CAUTION: SHOCK HAZARD!!  
THIS UNIT CONTAINS HAZARDOUS VOLTAGE. DISCONNECT POWER AND BE SURE POWER SUPPLY IS DISCHARGED BEFORE TOUCHING INTERNAL PARTS.
- 2) UNLESS NOTED, RESISTOR VALUES IN OHMS, 1/4W-5% TOL. CAPACITOR VALUES IN MICROFARADS, 50V-10% TOL.
- 3) VOLTAGES ARE MEASURED WITH 1 MEGOHM OSCILLOSCOPE AND 10 MEGOHM DIGITAL VOLTMETER.
- 4) CHASSIS GROUND  $\nabla$  DIRTY GROUND  $\nabla$  SIGNAL GROUND  $\nabla$

**CAUTION:**

THIS SCHEMATIC IS PROVIDED FOR USE BY QUALIFIED PERSONNEL. TO AVOID RISK OF ELECTRIC SHOCK, REFER SERVICING TO QUALIFIED SERVICE PERSONNEL. DO NOT PERFORM ANY SERVICING BEYOND THAT EXPLAINED IN THE OPERATING INSTRUCTIONS.

| REV | DATE     | BY  | CHK'D | DESCRIPTION   |
|-----|----------|-----|-------|---|
| 15  | 6/25/98  | WFB |       | ADDED BLUE/WHT WIRE TO XFRMR PER E980015                            |
| 1   | 08/03/93 | SWR |       | REVERSED PINS 1 & 2 OF J10 & FAN.                                   |
| 2   | 11/23/93 | ERW |       | CHANGES TO SHEET 2 OF 3   |
| 3   |          |     |       |   |
| 4   | 05/16/94 | LMA |       | REV CHANGE ONLY TO REFLECT PICTORIAL                                |
| 5   | 01/03/95 | ERW |       | CHANGED VALUE OF C27, R13, R28-31 & R40-43.                         |
| 8   | 05/20/96 | LMA |       | CHG REV TO REFLECT PICT PER E950030                                 |
| 9   | 08/14/96 | LMA |       | REV CHG TO REFLECT PICT PER C.O                                     |
| 10  | 09/10/96 | SWR |       | ADDED GOOP DRAWING TO PICTORIAL (SHT 3 OF 3) PER DCO #960354.       |
| 11  | NOT USED |     |       |   |
| 12  | 11/13/96 | REM |       | CHG'D REV TO MATCH PICT PER E960449.                                |
| 13  | 09/10/97 | SWR |       | CHANGED EXPORT TRANSFORMER WIRING ON SHEET 3 OF 3. PER ECO #970400. |
| 14  | 5/14/98  | REM |       | RADIAL CONVERSION PER E970587 & 980015                              |

|                    |          |              |  |
|--------------------|----------|--------------|--|
| <b>SIGNATURES:</b> |          | <b>DATE:</b> |  11880 BORMAN DR.<br>ST. LOUIS, MISSOURI<br>63146 |
| DRAWN: ERW         | 04/05/93 |              |  |
| CHK'D:             |          |              | PROJECT NAME:  |
| APP'D:             |          |              | SVT-3 PRO  |
| ORIGINAL ISSUED:   |          |              | DRAWING NAME:  |
| PLOT DATE:         | 07/28/98 |              | PWR. AMP SCHEMATIC   |
| PLOT TIME:         | 09:16:47 |              | DRAWING NO. 07S426-01  |
| FILE NAME:         | 42601HN_ |              | REV: 15  |
| SCALE: 1:1         |          |              | SHEET: 1 OF 3  |



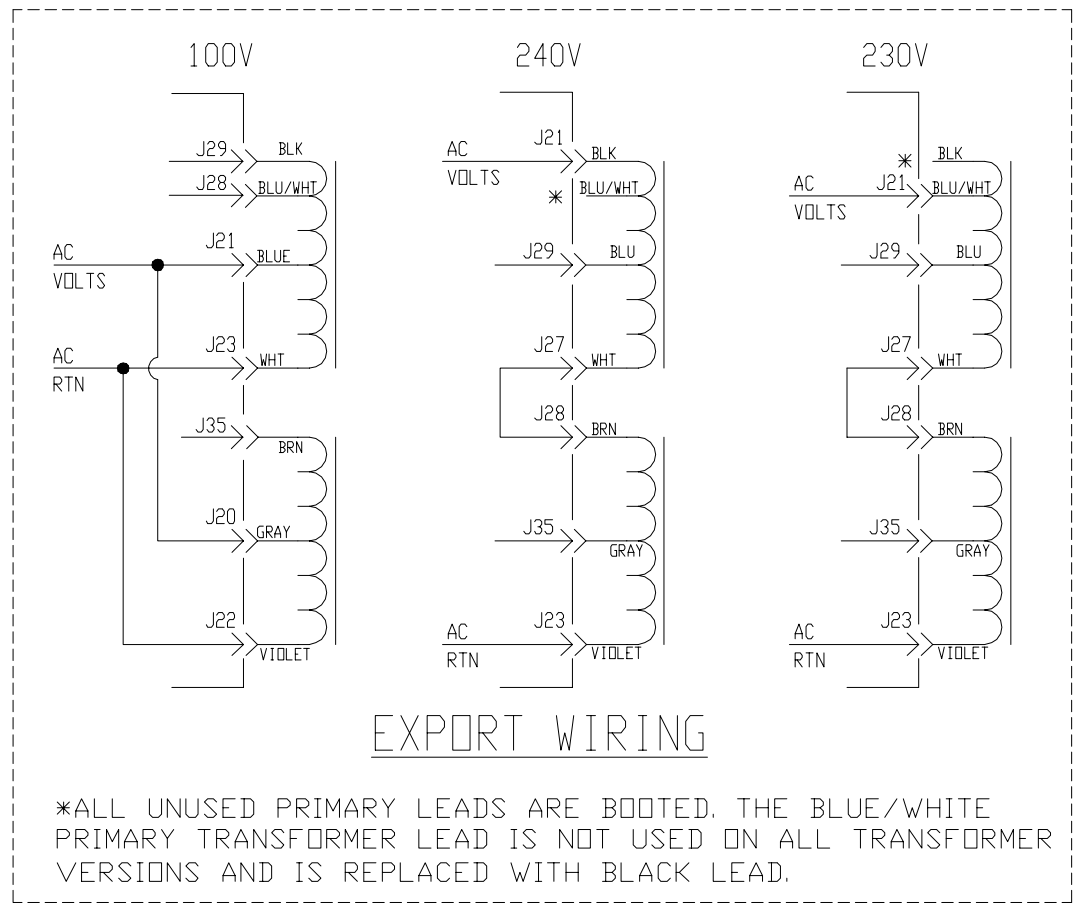
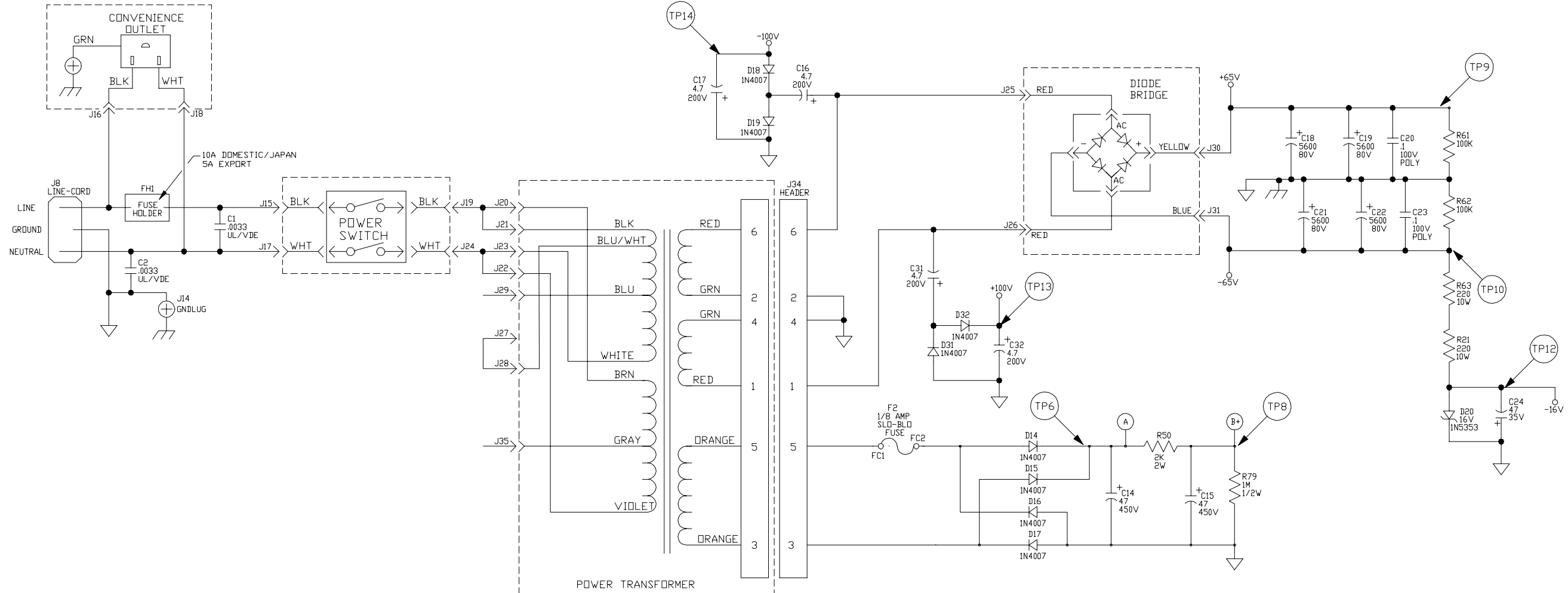
| TEST POINTS | WAVEFORM          | VOLTAGE (AC) | VOLTAGE (DC) |
|-------------|-------------------|--------------|--------------|
| 1           | [Sine Wave]       | 360mVrms     | 0V           |
| 2           | [Sine Wave]       | 23Vrms       | 160V         |
| 3           | [Sine Wave]       | 23Vrms       | 160V         |
| 4           | [Sine Wave]       | 21Vrms       | 165V         |
| 5           | [Sine Wave]       | 20Vrms       | 0V           |
| 6           | [Triangular Wave] | 2Vp-p        | 310V         |
| 7           | [Sine Wave]       | 20mVp-p      | 280V         |
| 8           | [Sine Wave]       | 50mVp-p      | 300V         |
| 9           | [Sine Wave]       | 250mVp-p     | 70V          |
| 10          | [Sine Wave]       | 250mVp-p     | -70V         |
| 11          | [Sine Wave]       | 40mVp-p      | 16V          |
| 12          | [Sine Wave]       | 40mVp-p      | -16V         |
| 13          | [Triangular Wave] | 20Vp-p       | 97V          |
| 14          | [Triangular Wave] | 20Vp-p       | -97V         |

CONDITIONS:  
 PLATE VOLTAGE CONTROL @ "10" (PIN 11 OPEN).  
 INPUT SIGNAL: 1.0Vp-p SINE WAVE.

SEE SHT 1 FOR REV HISTORY

|                           |                     |  |
|---------------------------|---------------------|--|
| SIGNATURES:<br>DRAWN: ERW | DATE:<br>4/5/93     | <br>11880 BORMAN DR.<br>ST. LOUIS, MISSOURI<br>63146 |
| CHK'D:                    | APP'D:              |  |
| ORIGINAL ISSUED:          | PLOT DATE: 07/30/98 | PROJECT NAME:<br>SVT-3 PRO                           |
| PLOT TIME: 09:16:47       | FILE NAME: 42601HN_ | DRAWING NAME:<br>PWR. AMP SCHEMATIC                  |
|                           |                     | DRAWING NO. 07S426-01<br>REV: 15                     |
|                           |                     | SCALE: 1:1 SHEET: 2 OF 3                             |

# POWER SUPPLY



SEE SHT 1 FOR REV HISTORY

|                    |          |              |  |           |
|--------------------|----------|--------------|--|-----------|
| <b>SIGNATURES:</b> |          | <b>DATE:</b> | 11880 BORMAN DR.<br>ST. LOUIS, MISSOURI<br>63146 |           |
| DRAWN:             | ERW      | 04/05/93     | PROJECT NAME:<br>SVT-3 PRO                       |           |
| CHK'D:             |          |              | DRAWING NAME:<br>PWR. AMP SCHEMATIC              |           |
| APP'D:             |          |              | DRAWING NO.                                      | 07S426-01 |
| ORIGINAL ISSUED:   |          |              | REV.   | 15        |
| PLOT DATE:         | 07/30/98 |              | SCALE:   | 1:1       |
| PLOT TIME:         | 09:16:47 |              | SHEET:   | 3 OF 3    |
| FILE NAME:         | 42601HN  |              |  |           |