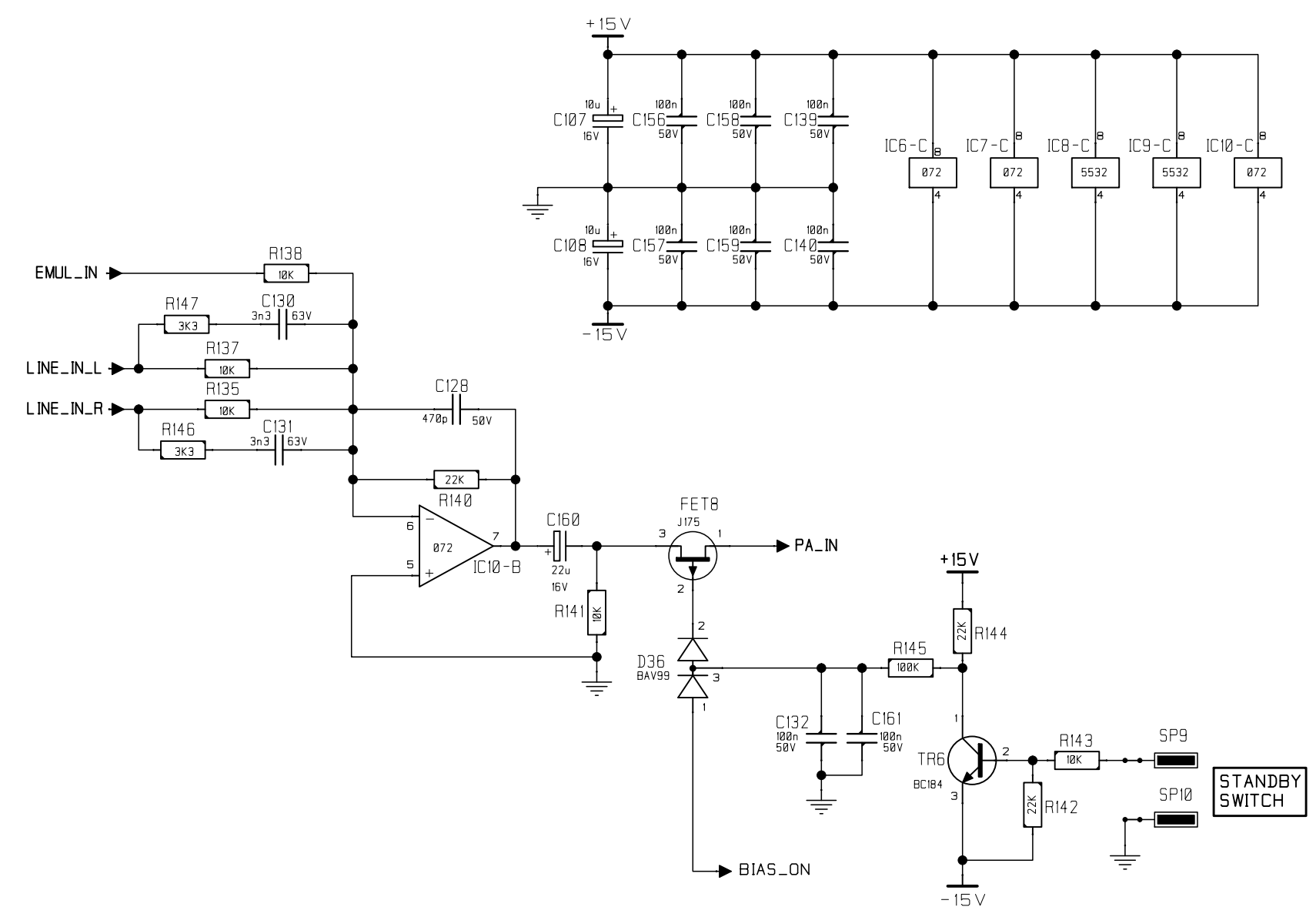
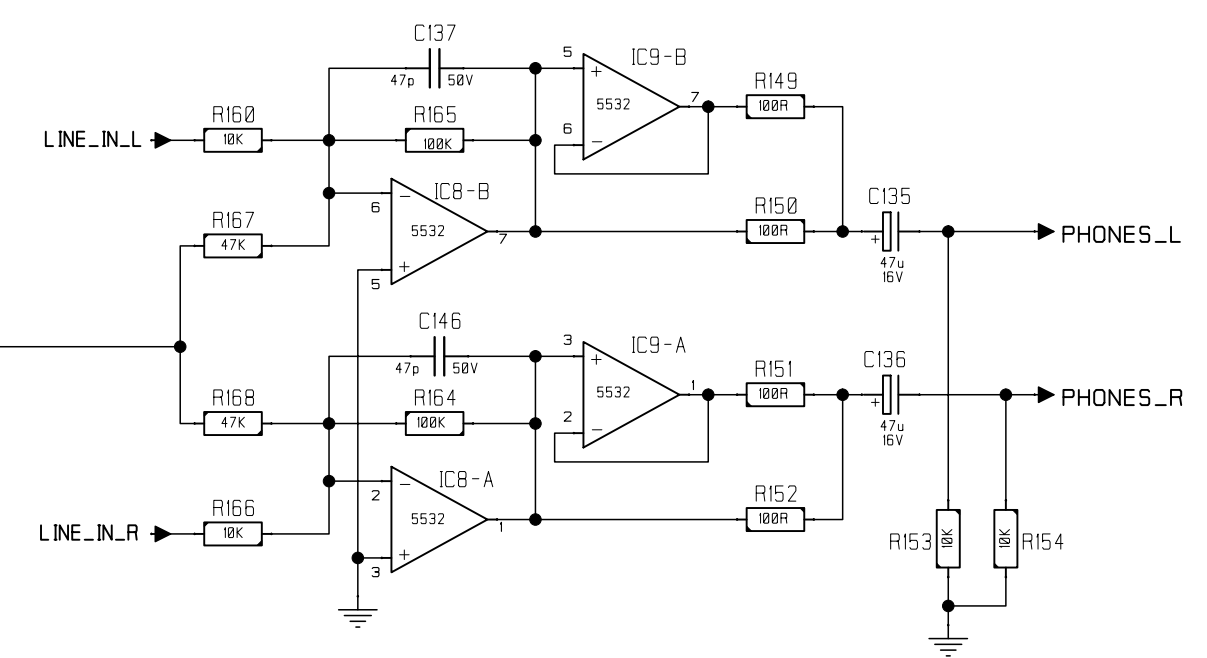
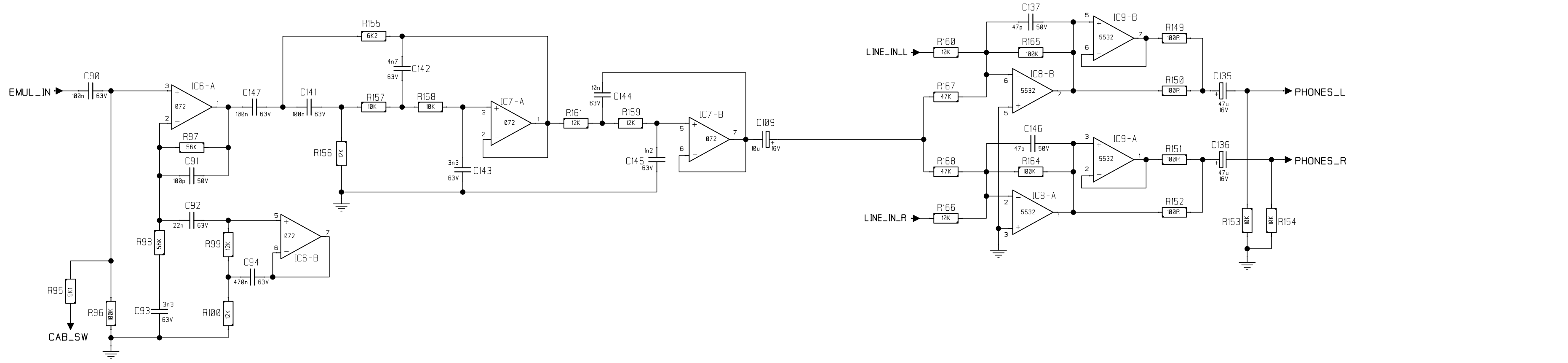


Blackstar AMPLIFICATION

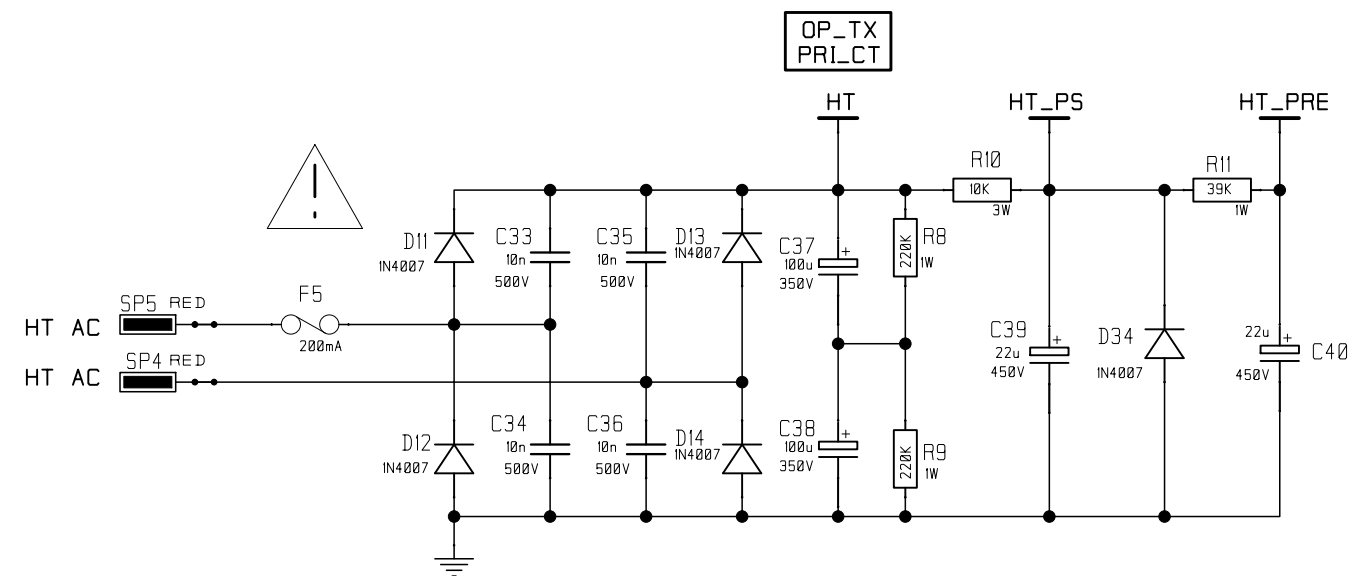
COPYRIGHT EXISTS ON THIS DOCUMENT. IT MUST NOT BE USED FOR ANY PURPOSE OTHER THAN THAT FOR WHICH IT WAS SUPPLIED AND MUST NOT BE COPIED IN WHOLE OR PART WITHOUT WRITTEN PERMISSION OF BLACKSTAR AMPLIFICATION

ISSUE	ECO No.	DATE	INITIAL

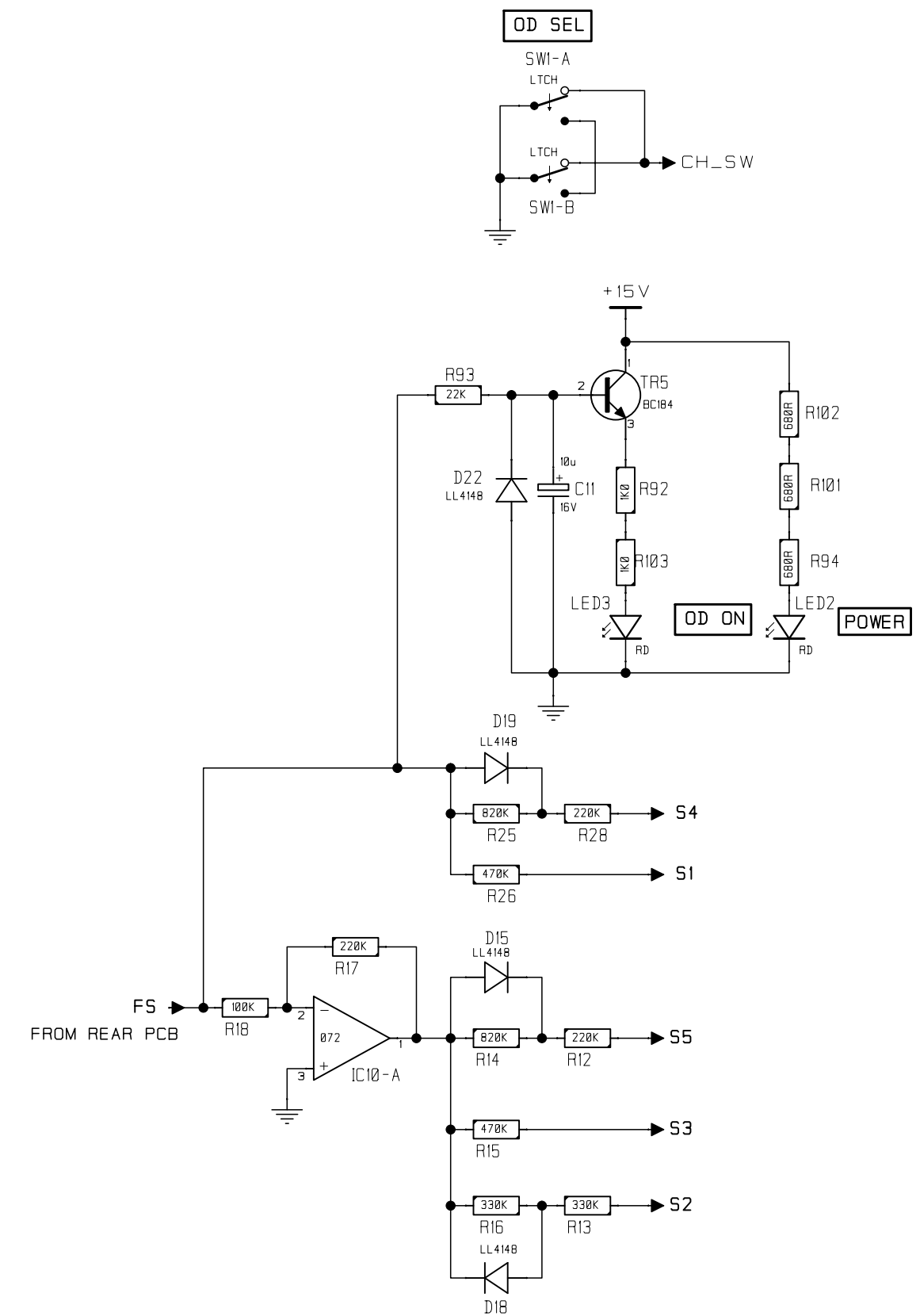
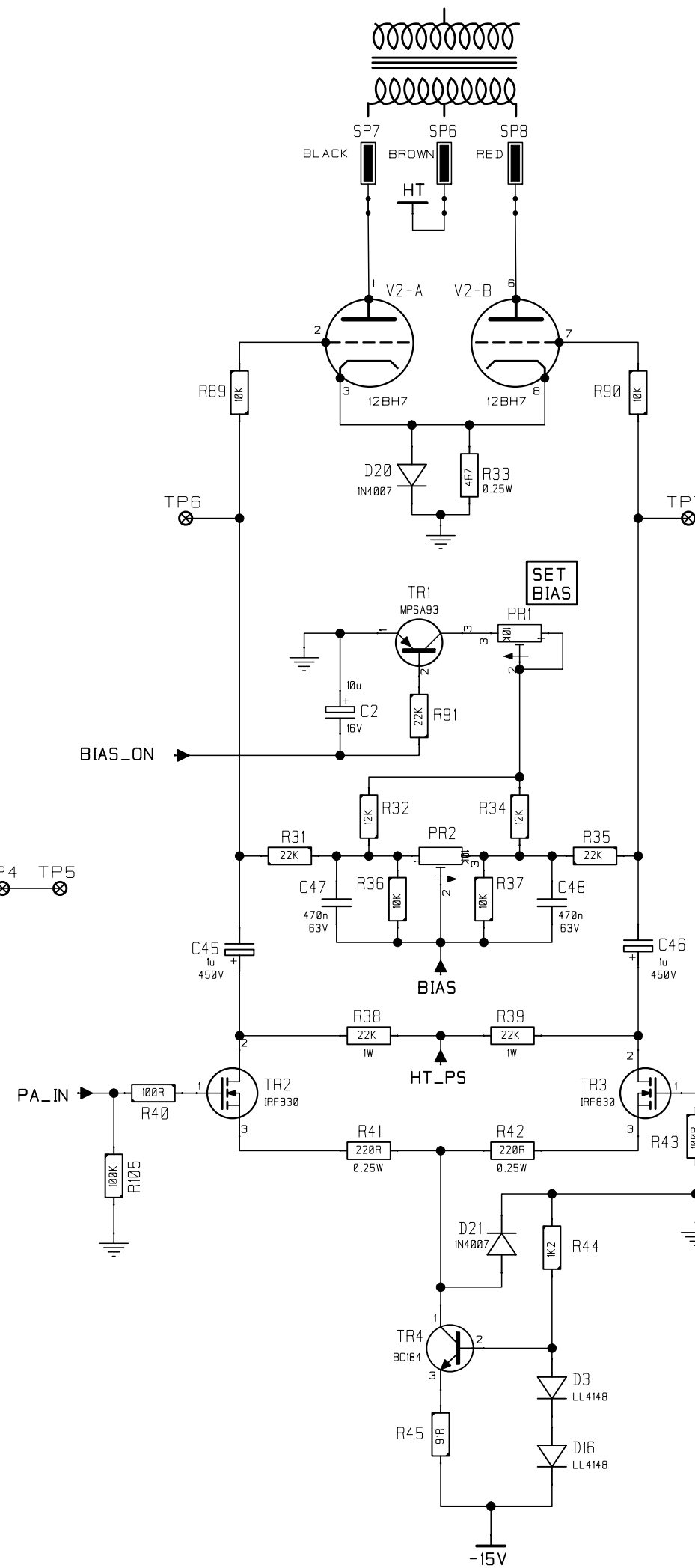
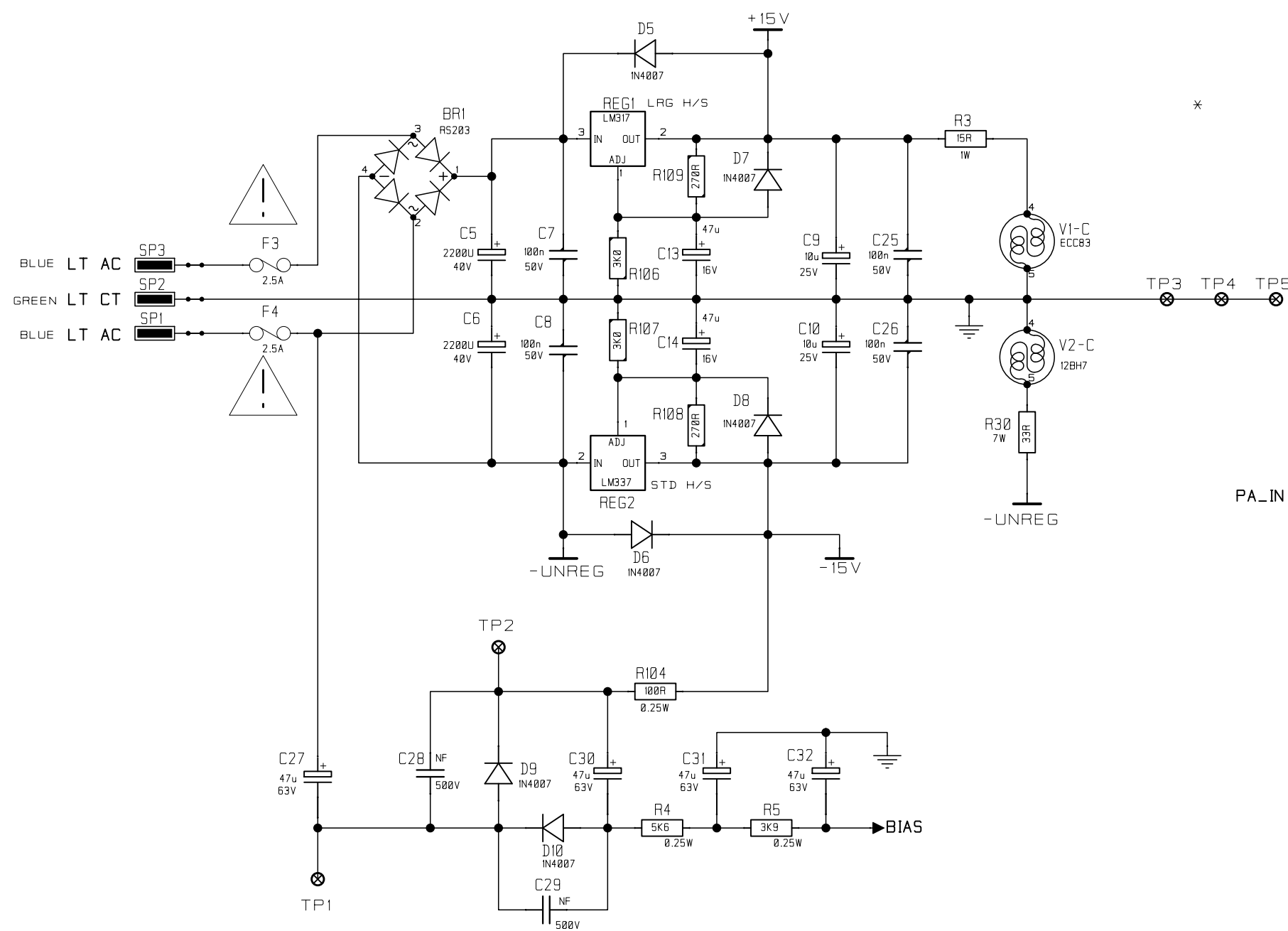
DWG No.	ISS: 1A	SHT. 1 OF 4	TITLE
DRAWN BY CLIFF B	DATE 17-03-11		PRE AMP
CHECKED BY	DATE		MODEL
APPROVED BY	DATE		HT5C



				<p align="center">Blackstar AMPLIFICATION</p> <p align="center">COPYRIGHT EXISTS ON THIS DOCUMENT. IT MUST NOT BE USED FOR ANY PURPOSE OTHER THAN THAT FOR WHICH IT WAS SUPPLIED AND MUST NOT BE COPIED IN WHOLE OR PART WITHOUT WRITTEN PERMISSION OF BLACKSTAR AMPLIFICATION</p>	DWG No.	ISS: 1A	SHT. 2 OF 4	TITLE
					DRAWN BY CLIFF B	DATE 17-03-11		EMULATOR, REVERB
					CHECKED BY	DATE		MODEL
					APPROVED BY	DATE		HT5C
ISSUE	ECO No.	DATE	INITIAL					



SAFETY CRITICAL COMPONENT
REPLACE ONLY WITH THE SAME
TYPE AND RATING



Blackstar AMPLIFICATION

COPYRIGHT EXISTS ON THIS DOCUMENT. IT MUST NOT BE USED FOR ANY PURPOSE OTHER THAN THAT FOR WHICH IT WAS SUPPLIED AND MUST NOT BE COPIED IN WHOLE OR PART WITHOUT WRITTEN PERMISSION OF BLACKSTAR AMPLIFICATION

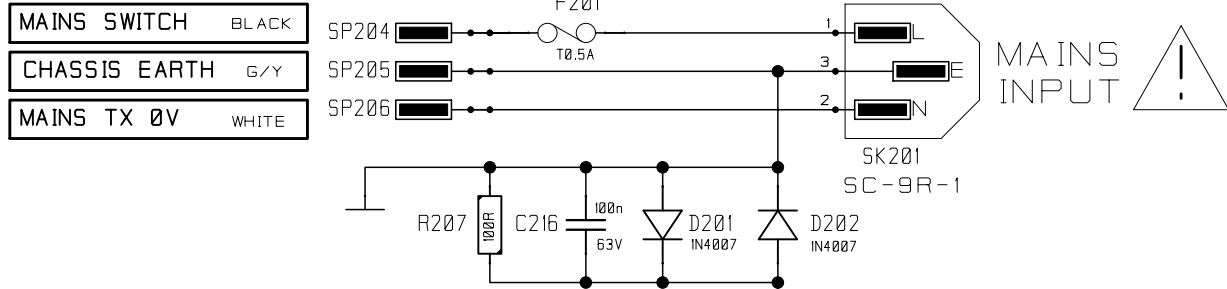
ISSUE	ECO No.	DATE	INITIAL

DWG No.	ISS: 1A	SHT. 3 OF 4
DRAWN BY CLIFF B	DATE 17-03-11	
CHECKED BY	DATE	
APPROVED BY	DATE	

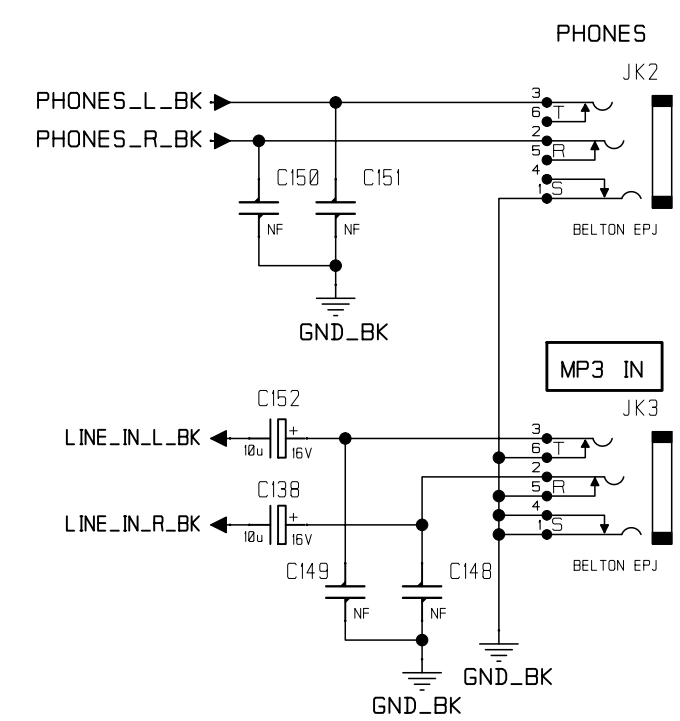
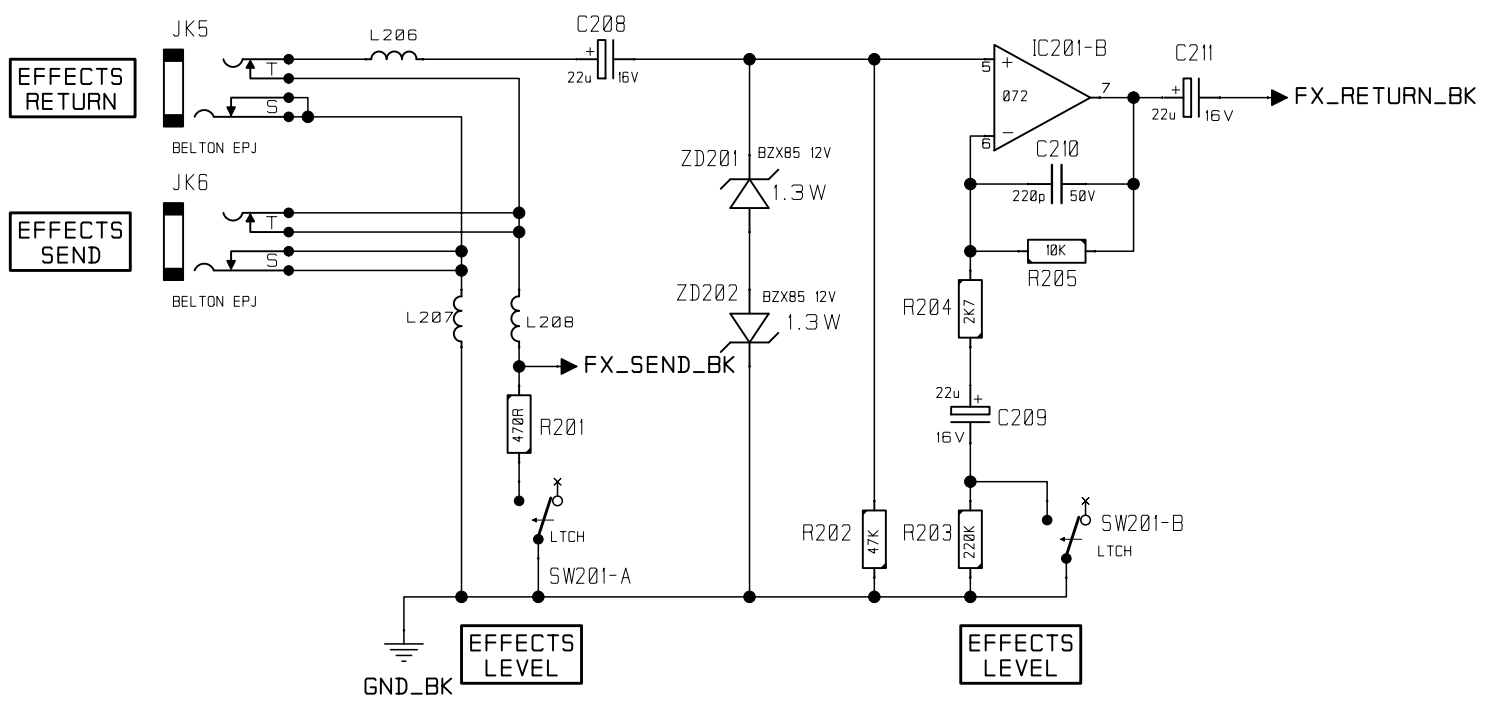
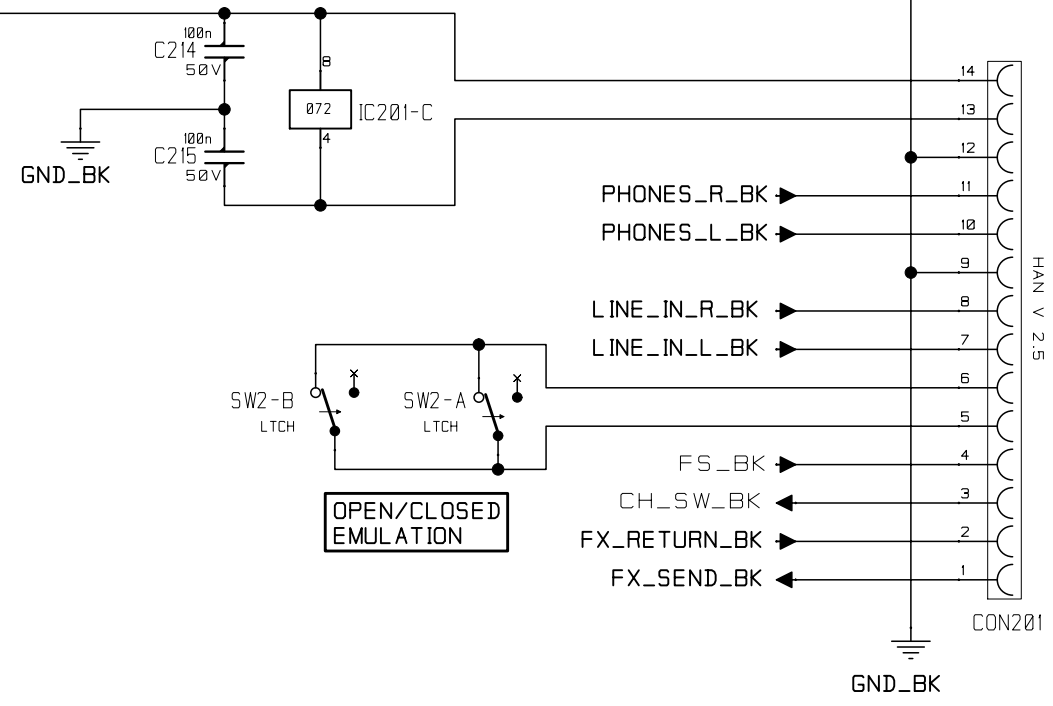
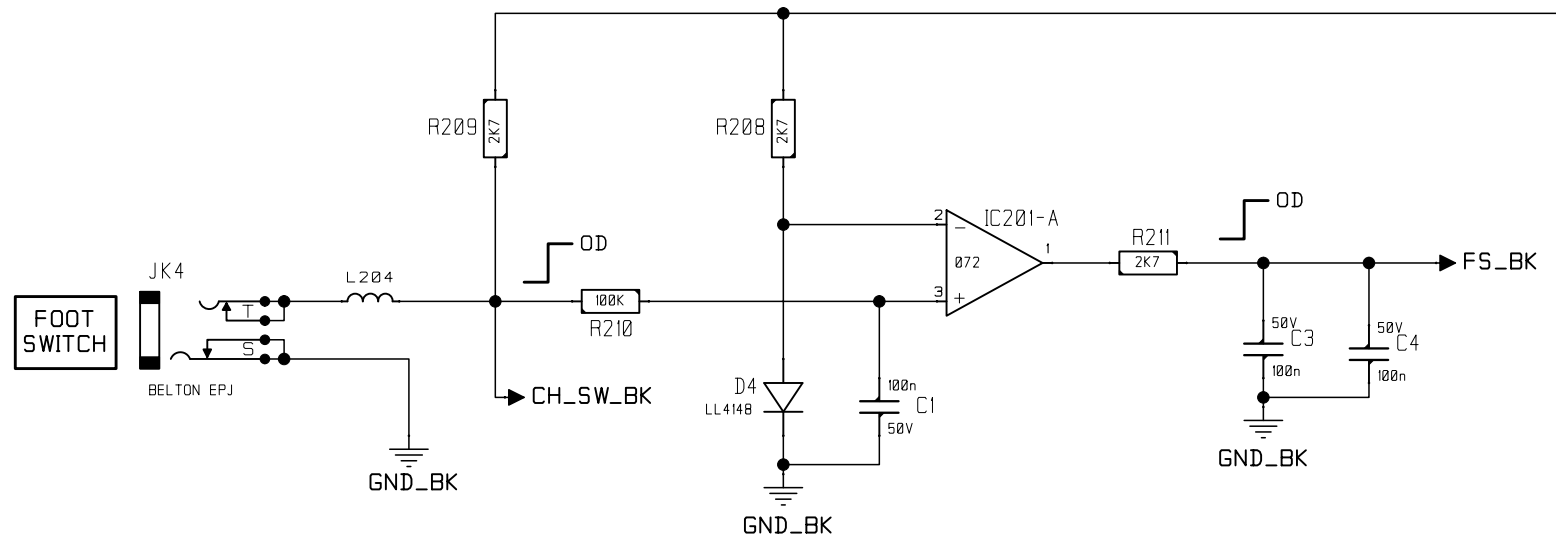
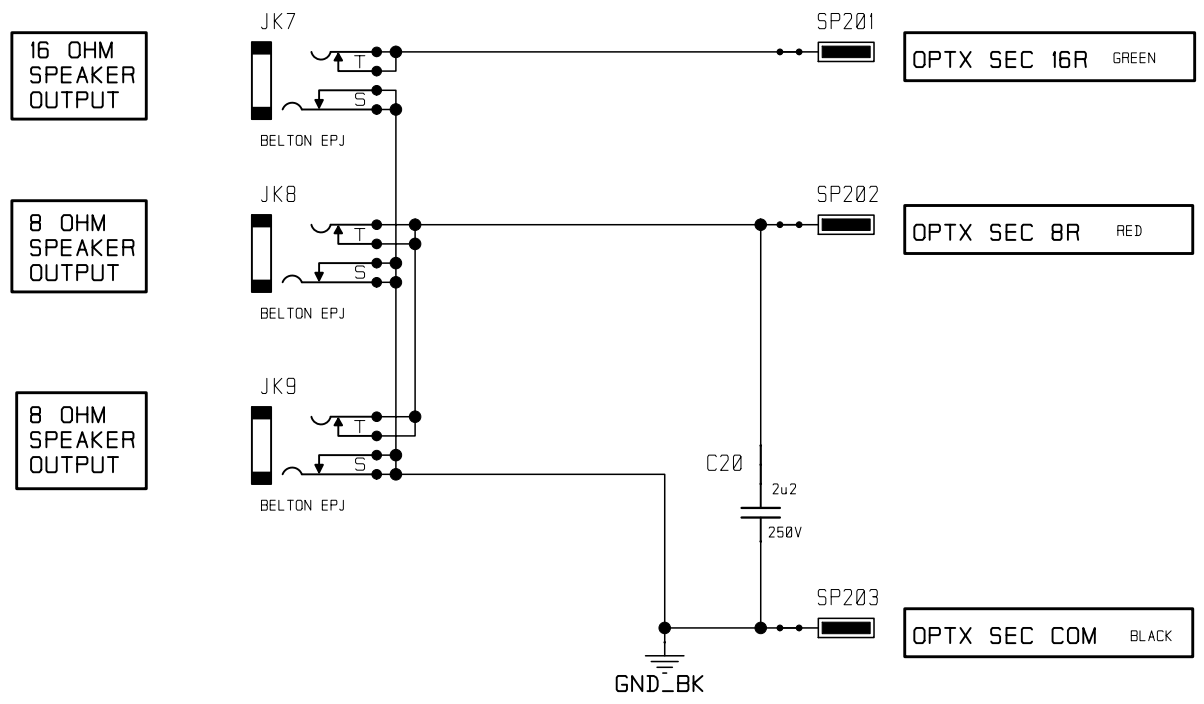
TITLE	POWER AMP, PSU
MODEL	HT5C

SAFETY CRITICAL COMPONENT
REPLACE ONLY WITH THE SAME
TYPE AND RATING

100V AND 120V = T1A1
230V AND 250V = T500mAL



- FIX1
- FIX2
- FIX3
- FIX4
- FIX5
- FIX6



**Blackstar
AMPLIFICATION**

COPYRIGHT EXISTS ON THIS DOCUMENT. IT MUST NOT BE USED FOR ANY PURPOSE OTHER THAN THAT FOR WHICH IT WAS SUPPLIED AND MUST NOT BE COPIED IN WHOLE OR PART WITHOUT WRITTEN PERMISSION OF BLACKSTAR AMPLIFICATION

ISSUE	ECO No.	DATE	INITIAL

DWG No.	ISS: 1A	SHT. 4 OF 4	TITLE
DRAWN BY CLIFF B	DATE 17-03-11		FX LOOP REAP PANEL
CHECKED BY	DATE		MODEL
APPROVED BY	DATE		HT5C