

Service Manual

Created: 03 February 2015



XENYX QX2222USB

Premium 22-Input 2/2-Bus Mixer with XENYX Mic Preamps & Compressors, KLARK TEKNIK Multi-FX Processor, Wireless Option and USB/Audio Interface

Specifications	2
PCB Schematic	3
Parts List	33
Exploded Drawing	49

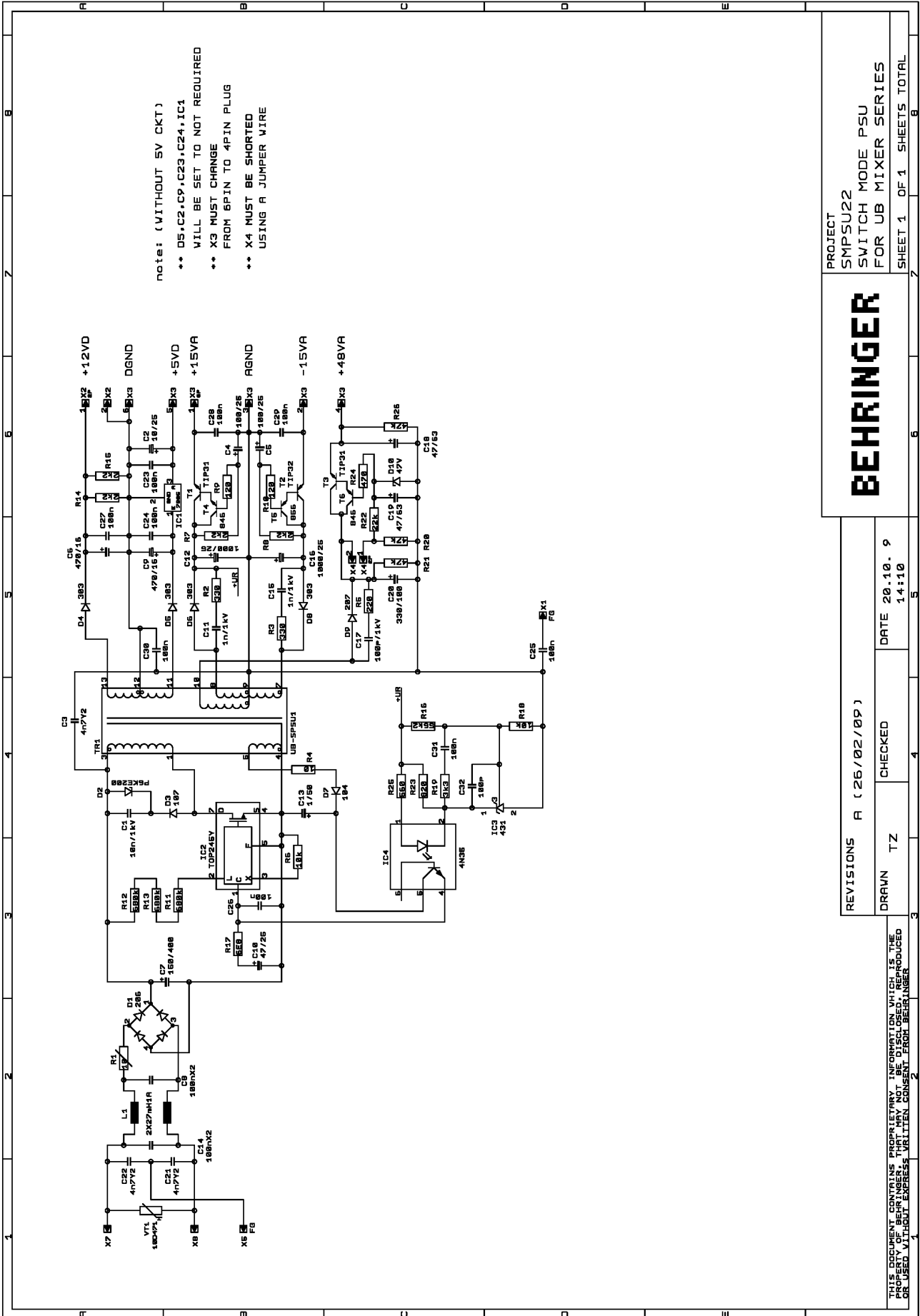
behringer.com



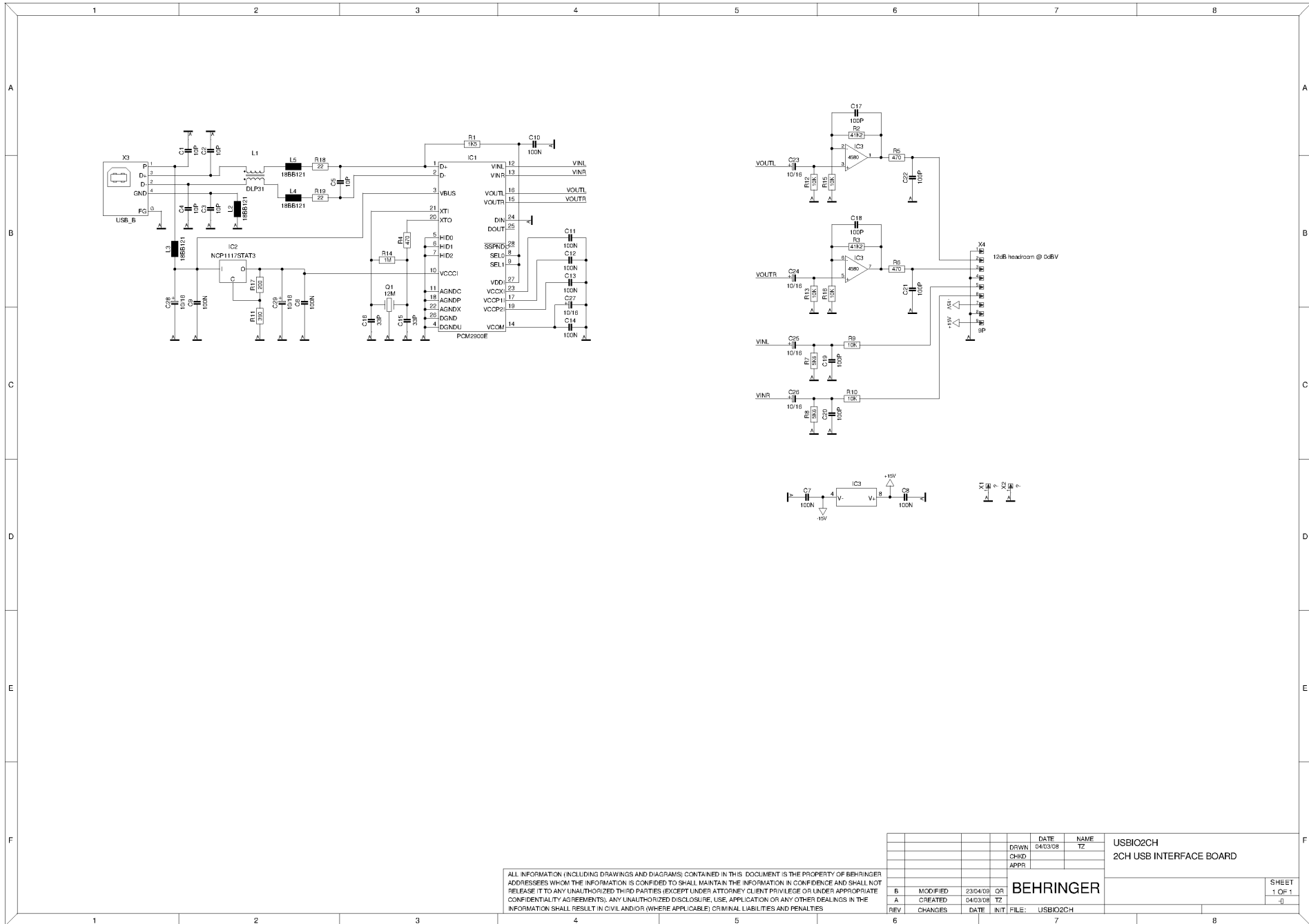
XENYX QX2222USB

Specifications

- Premium ultra-low noise, high headroom mixer
- 8 state-of-the-art, phantom-powered XENYX Mic Preamps comparable to stand-alone boutique preamps
- 8 studio-grade compressors with super-easy "one-knob" functionality and control LED for professional vocal and instrumental sound
- Ultra-high quality KLARK TEKNIK FX processor with LCD display, dual-parameters, Tap function and storable user parameter settings
- "Wireless-ready" for high-quality BEHRINGER digital wireless system (not included)
- Built-in stereo USB/Audio Interface to connect directly to your computer. Free audio recording, editing and podcasting software plus 150 instrument/effect plug-ins downloadable at behringer.com
- Tracktion* 4 Music Production Software included free of charge to help you realize your creative potential
- Neo-classic "British" 3-band EQs with semi-parametric mid band for warm and musical sound
- Channel inserts on each mono channel for flexible connection of outboard equipment
- 3 aux sends per channel: 1 pre fader for monitoring, 1 pre/post fader switchable for monitoring/FX applications, 1 post fader (for internal FX or as external send)
- Clip LEDs, mute, main mix and subgroup routing switches, solo and PFL functions on all channels
- 2 subgroups with separate outputs for added routing flexibility; 3 multi-functional stereo aux returns with flexible routing
- Balanced main mix outputs with ¼" jack and gold-plated XLR connectors, separate control room, headphones and stereo rec outputs
- Control room/phones outputs with multi-input source matrix; rec inputs assignable to main mix or control room/phones outputs
- Long-wearing 60-mm logarithmic-taper faders and sealed rotary controls
- "Planet Earth" switching power supply for maximum flexibility (100 - 240 V~), noise-free audio, superior transient response plus low power consumption for energy saving
- 3-Year Warranty Program**
- Conceived and designed by BEHRINGER Germany

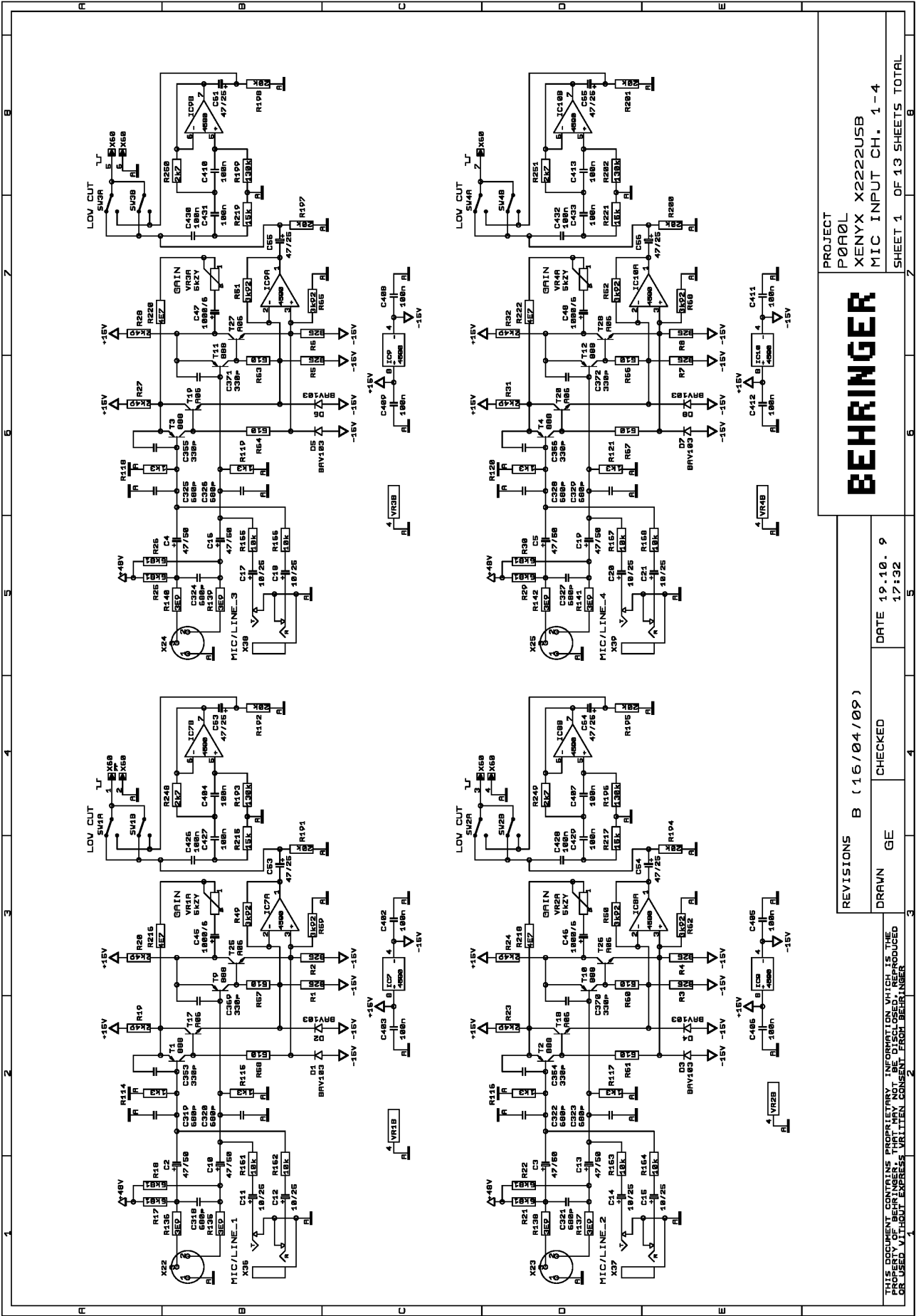


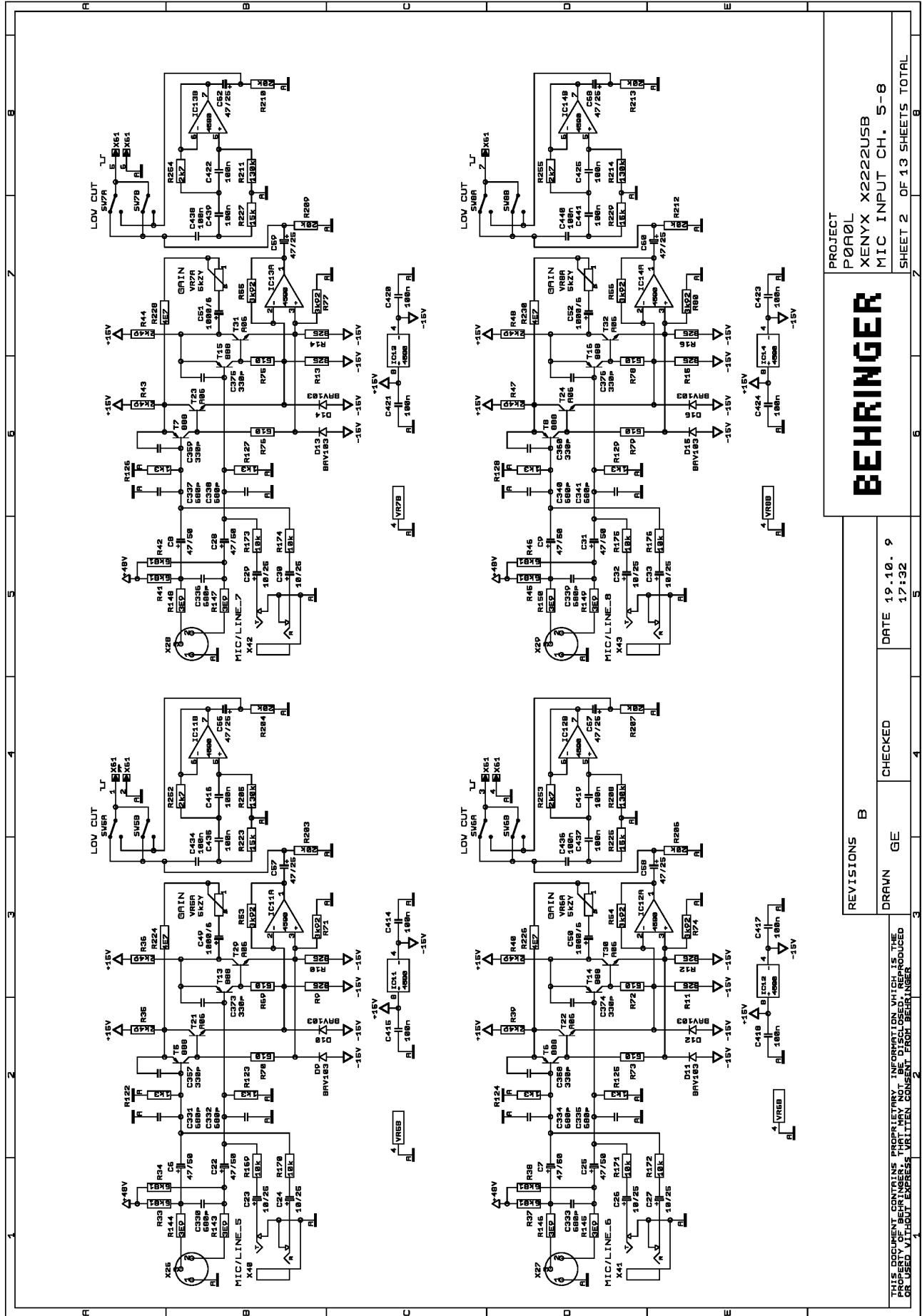
PROJECT		SMP5U22	
SWITCH MODE PSU		FOR UB MIXER SERIES	
SHEET 1		OF 1 SHEETS TOTAL	
BEHRINGER			
REVISIONS		A (26/02/09)	
DRAWN	TZ	CHECKED	DATE 20.10. 9
			14:10
THIS DOCUMENT CONTAINS PROPRIETARY INFORMATION WHICH IS THE PROPERTY OF BEHRINGER. IT MAY NOT BE DISCLOSED, REPRODUCED OR USED WITHOUT EXPRESS WRITTEN CONSENT FROM BEHRINGER			



ALL INFORMATION (INCLUDING DRAWINGS AND DIAGRAMS) CONTAINED IN THIS DOCUMENT IS THE PROPERTY OF BEHRINGER ADDRESSEES WHOM THE INFORMATION IS CONFIDED TO SHALL MAINTAIN THE INFORMATION IN CONFIDENCE AND SHALL NOT RELEASE IT TO ANY UNAUTHORIZED THIRD PARTIES (EXCEPT UNDER ATTORNEY CLIENT PRIVILEGE OR UNDER APPROPRIATE CONFIDENTIALITY AGREEMENTS); ANY UNAUTHORIZED DISCLOSURE, USE, APPLICATION OR ANY OTHER DEALINGS IN THE INFORMATION SHALL RESULT IN CIVIL AND/OR (WHERE APPLICABLE) CRIMINAL LIABILITIES AND PENALTIES

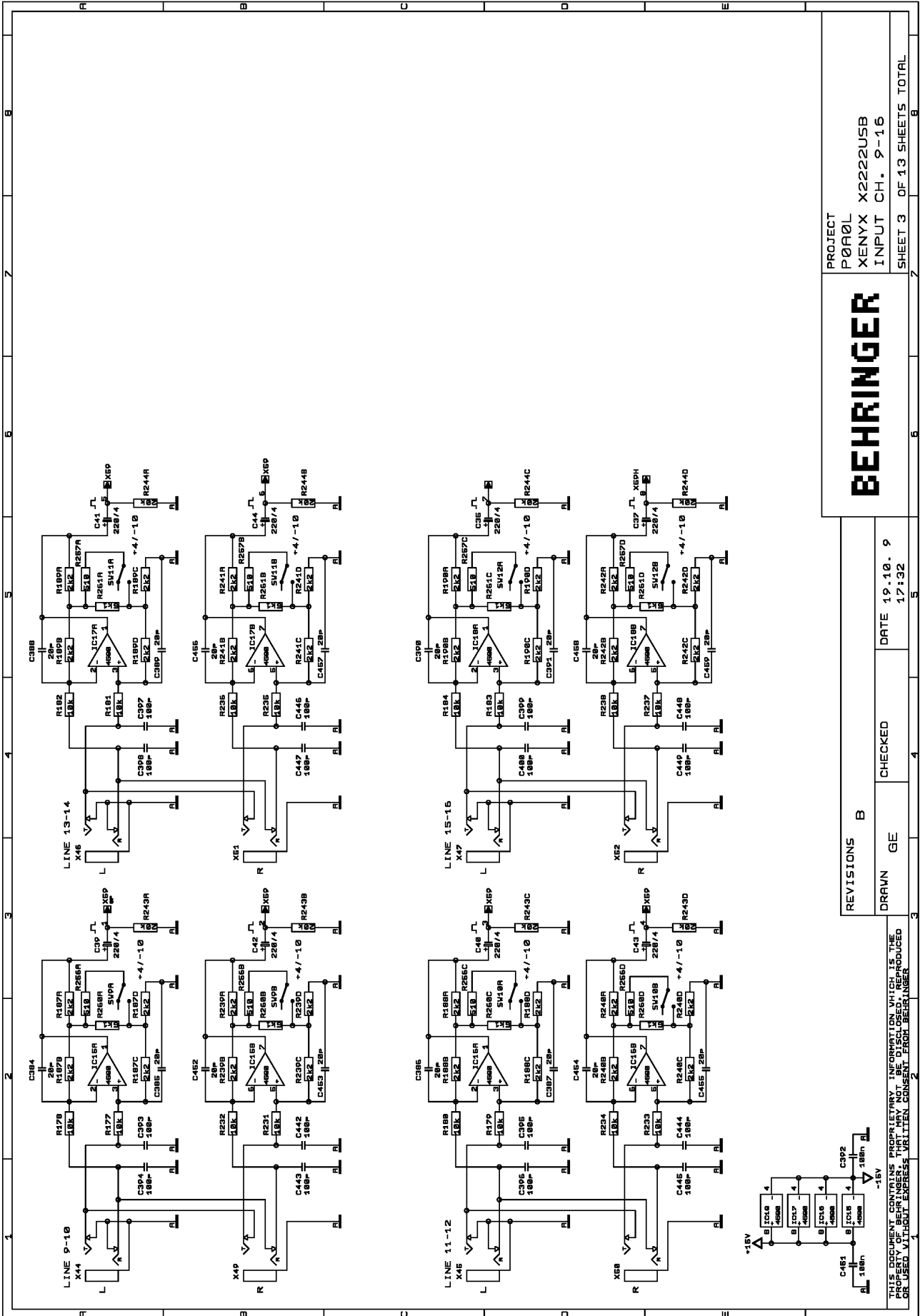
REV	CHANGES	DATE	INIT	FILE:	DATE	NAME	USBIO2CH 2CH USB INTERFACE BOARD
B	MODIFIED	23/04/08	GR	BEHRINGER			SHEET 1 OF 1
A	CREATED	04/03/08	TZ				-0



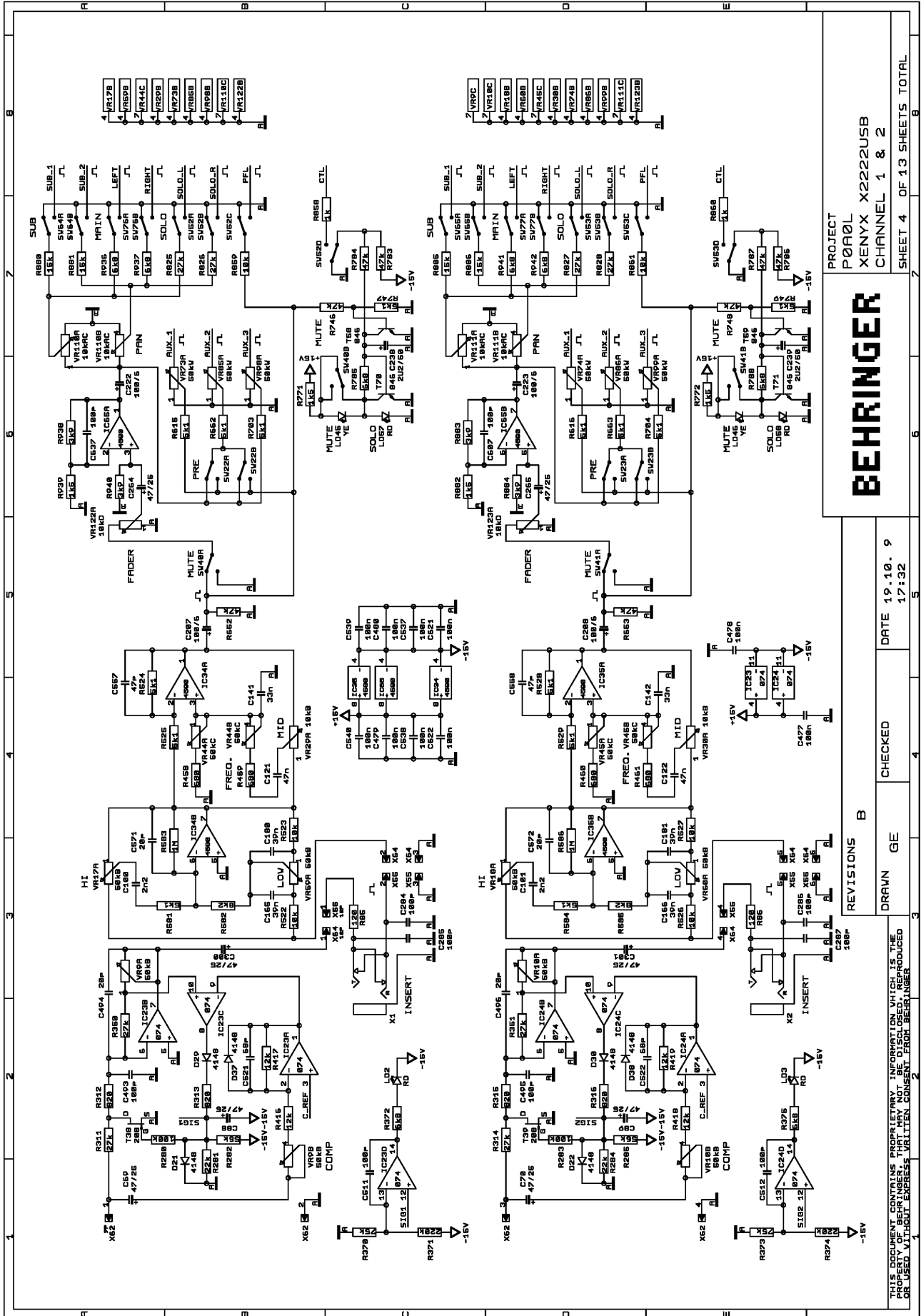


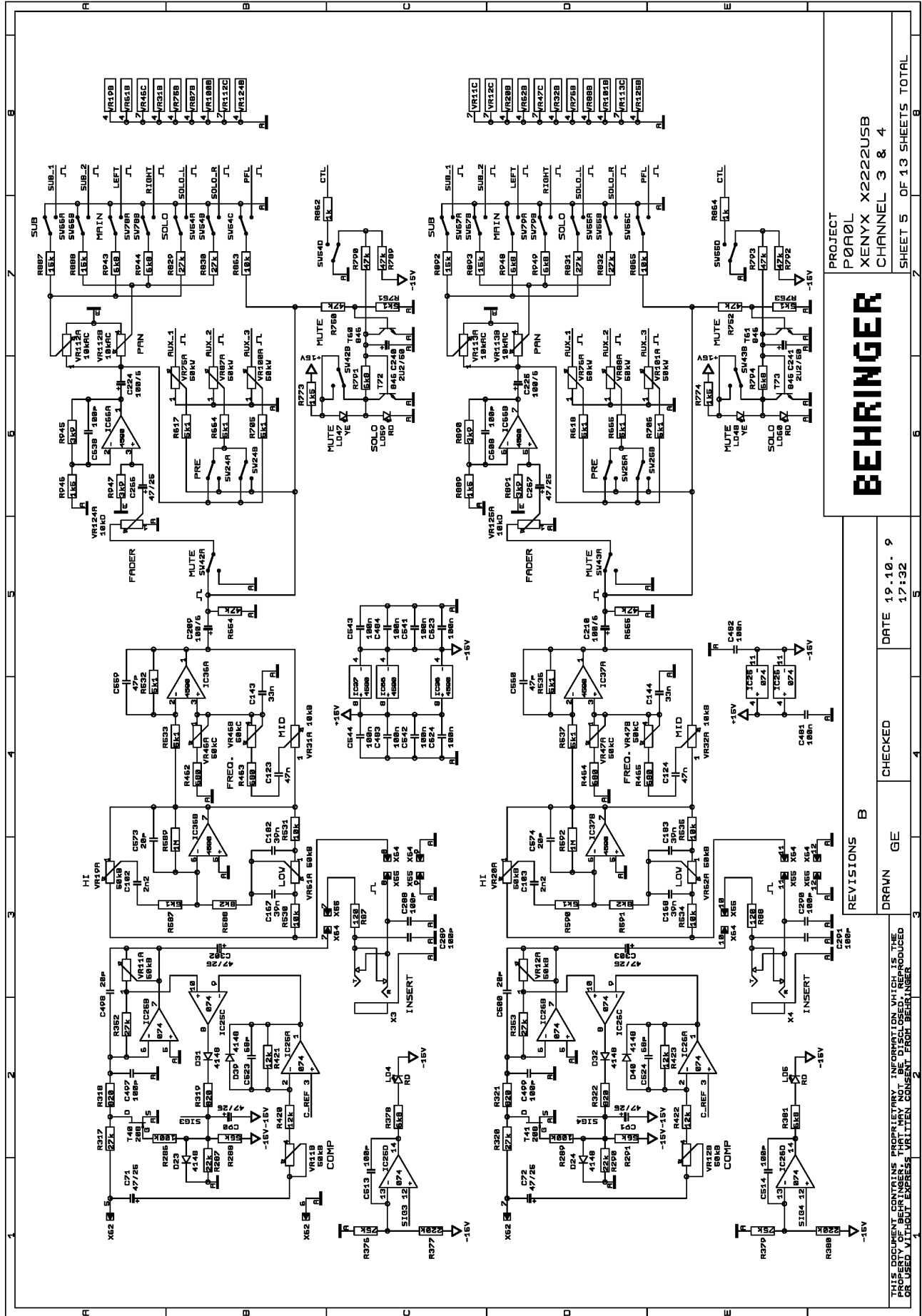
PROJECT		P0A0L	
DRAWN		GE	
CHECKED		B	
DATE		19.10.9	
SHEET 2		OF 13 SHEETS TOTAL	
REVISIONS		MIC INPUT CH. 5-8	

BEHRINGER



BEHRINGER			PROJECT P0A0L XENYX QX2222USB INPUT CH. 9-15	
			SHEET 3 OF 13 SHEETS TOTAL	
REVISIONS B			DATE 19.10. 9 17:32	
DRAWN GE		CHECKED		
THIS DOCUMENT CONTAINS PROPRIETARY INFORMATION WHICH IS THE PROPERTY OF BEHRINGER. THAT MAY NOT BE DISCLOSED, REPRODUCED OR USED WITHOUT EXPRESS WRITTEN CONSENT FROM BEHRINGER				





BEHRINGER

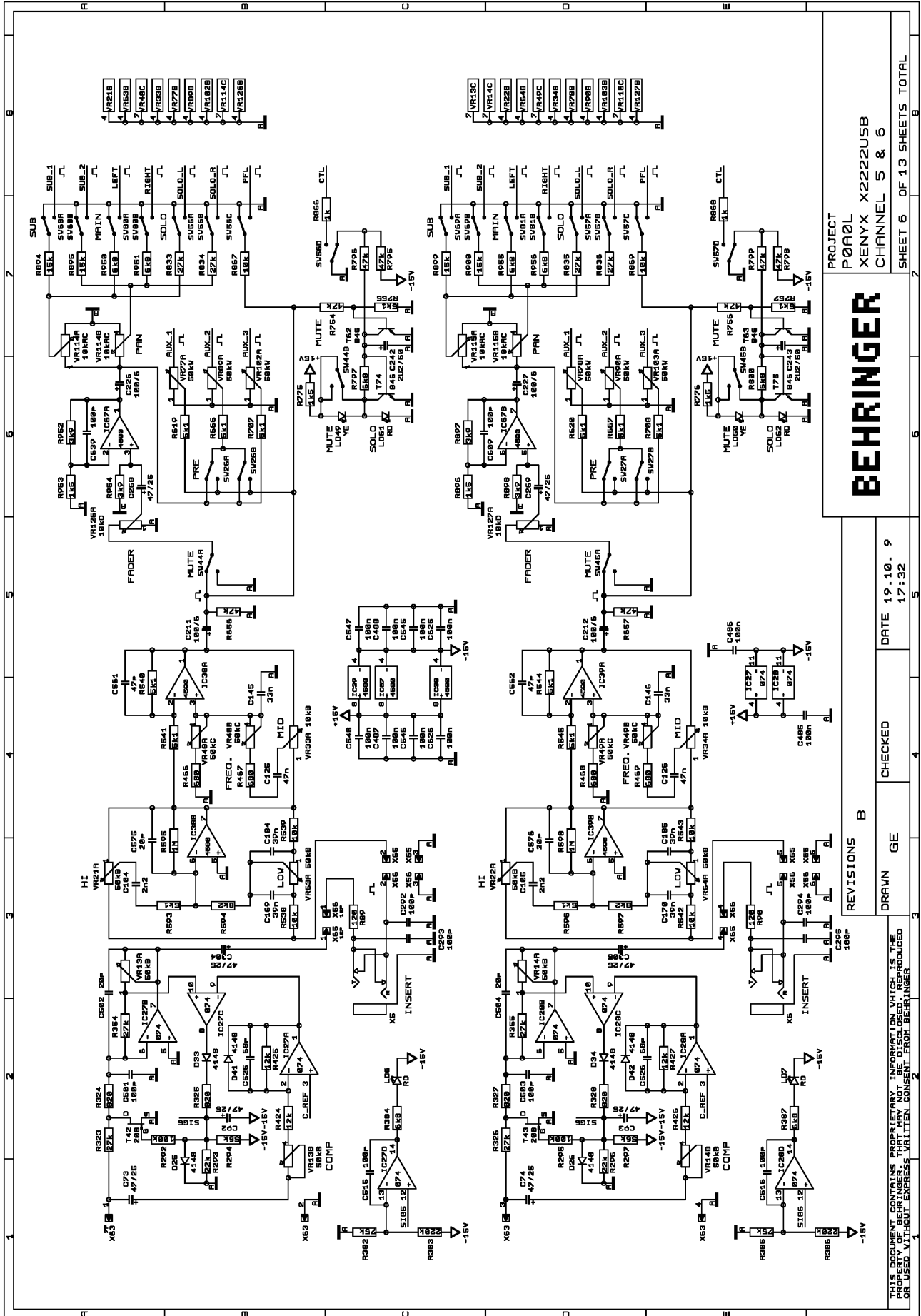
DATE 19.10. 9
 17:32

REVISIONS B

DRAWN	GE	CHECKED
-------	----	---------

SHEET 5 OF 13 SHEETS TOTAL

THIS DOCUMENT CONTAINS PROPRIETARY INFORMATION WHICH IS THE PROPERTY OF BEHRINGER. THAT MAY NOT BE DISCLOSED, REPRODUCED OR USED WITHOUT EXPRESS WRITTEN CONSENT FROM BEHRINGER



BEHRINGER

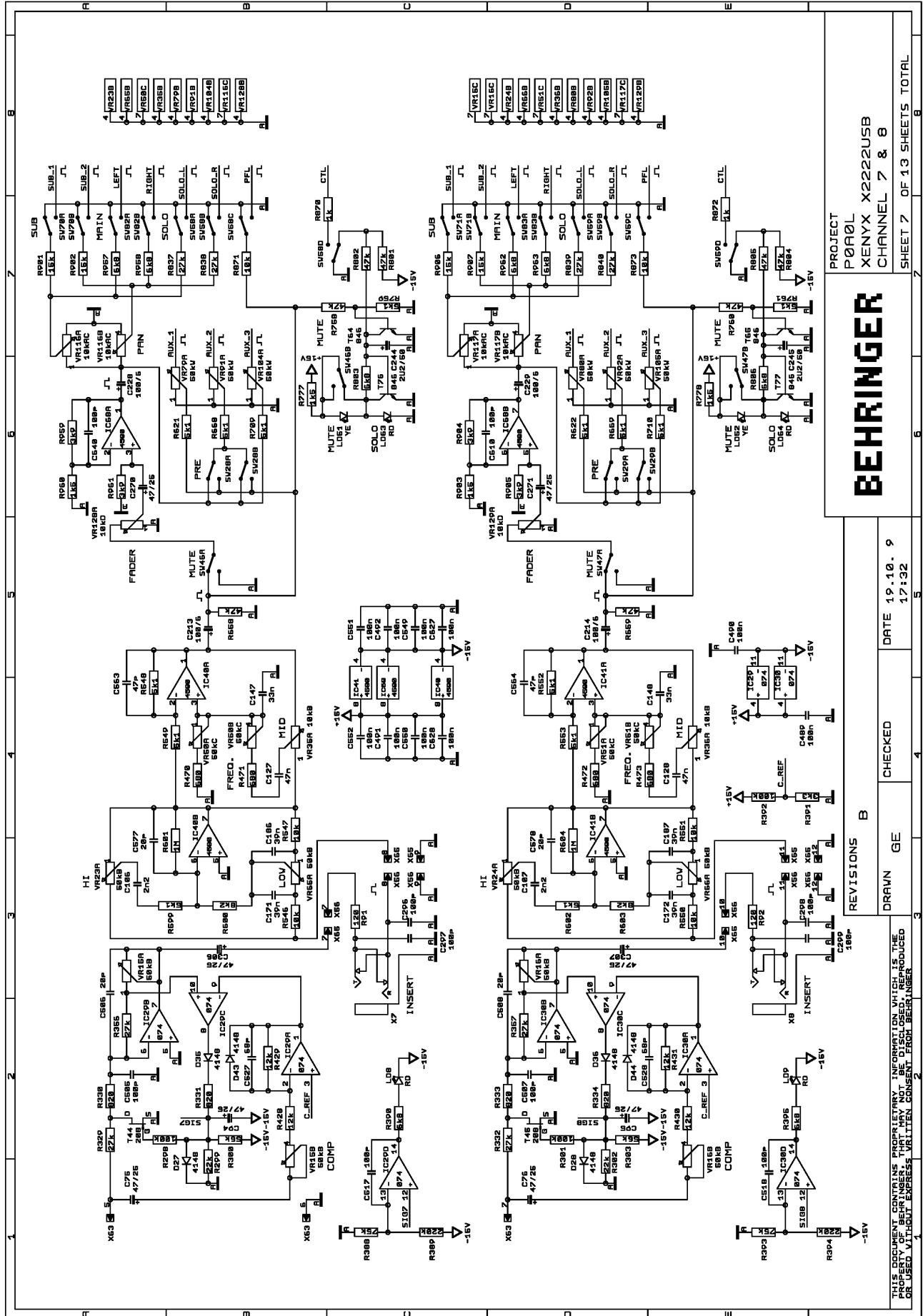
PROJECT
P0R0L
XENYX X2222USB
CHANNEL 5 & 6

SHEET 6 OF 13 SHEETS TOTAL

REVISIONS B
DRAWN GE
CHECKED

DATE 19.10.9
17:32

THIS DOCUMENT CONTAINS PROPRIETARY INFORMATION WHICH IS THE PROPERTY OF BEHRINGER. IT MAY NOT BE DISCLOSED, REPRODUCED OR USED WITHOUT EXPRESS WRITTEN CONSENT FROM BEHRINGER



BEHRINGER

PROJECT
P0R0L
XENYX QX222USB
CHANNEL 7 & 8

SHEET 7 OF 13 SHEETS TOTAL

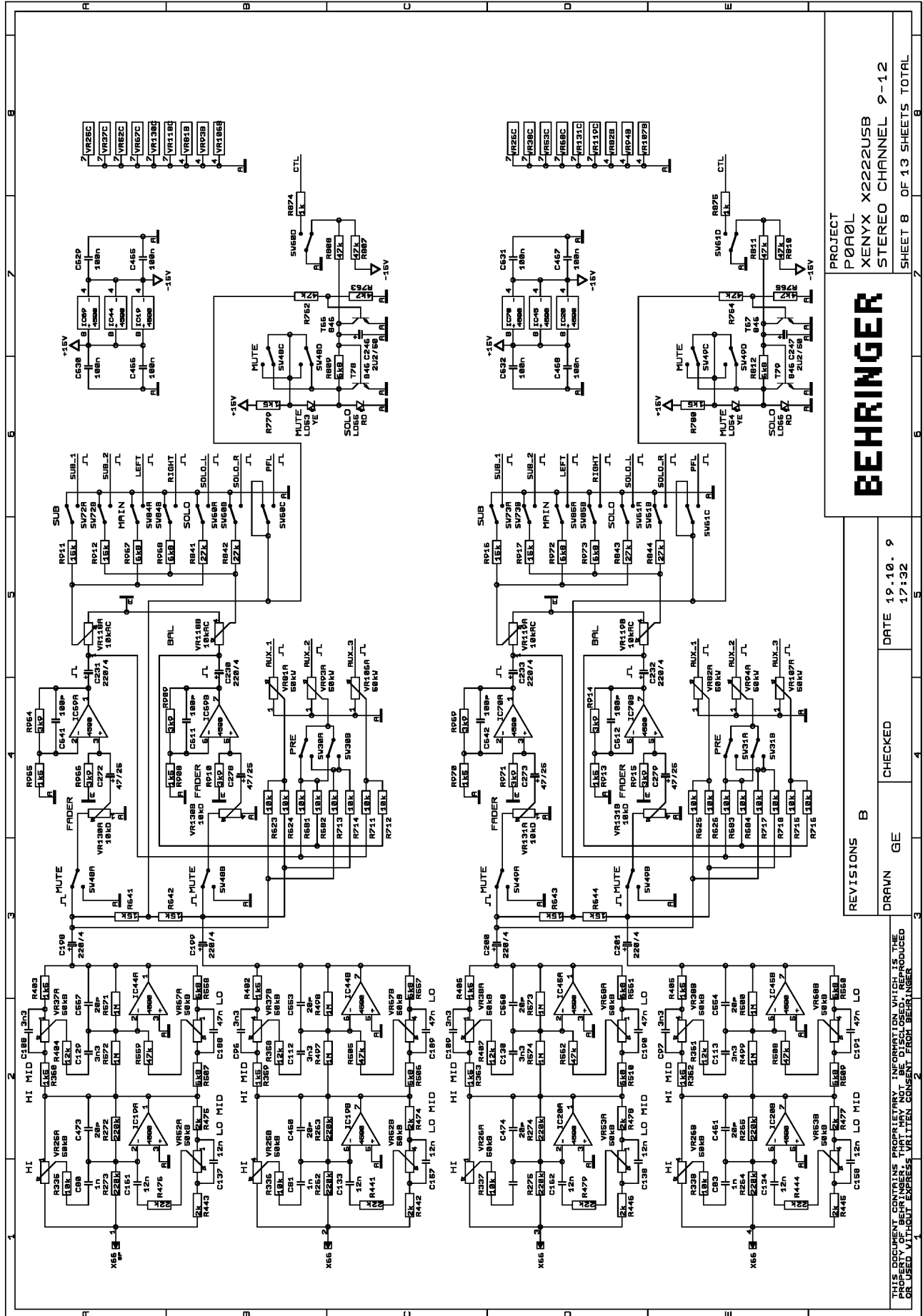
REVISIONS B

DATE 19.10.09
17:32

CHECKED

DRAWN GE

THIS DOCUMENT CONTAINS PROPRIETARY INFORMATION WHICH IS THE PROPERTY OF BEHRINGER. IT MAY NOT BE DISCLOSED, REPRODUCED OR USED WITHOUT EXPRESS WRITTEN CONSENT FROM BEHRINGER

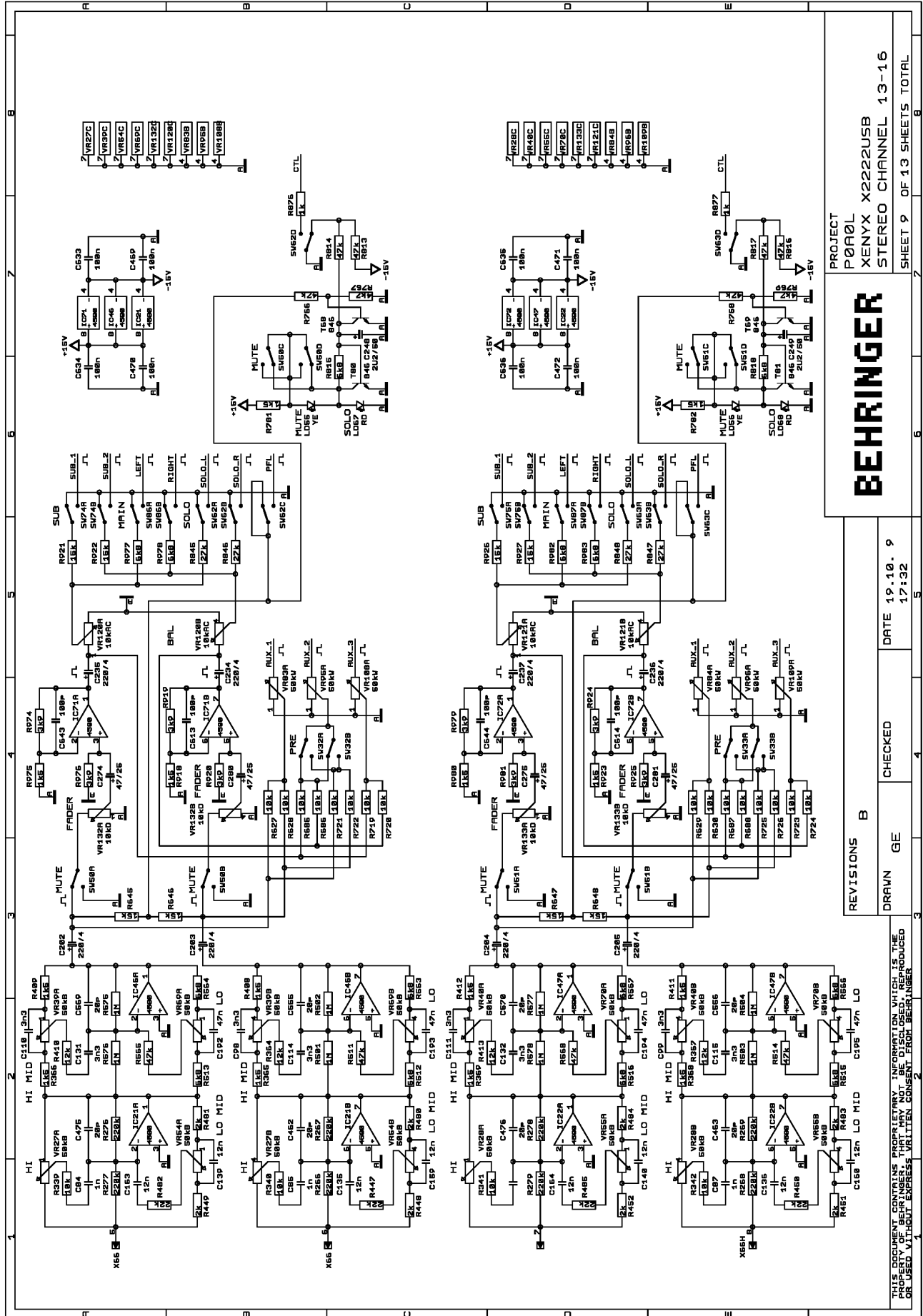


PROJECT
 P0R0L XENYX X2222USB
 STEREO CHANNEL 9-12
 SHEET 8 OF 13 SHEETS TOTAL

BEHRINGER

REVISIONS	B	CHECKED	DATE
DRAWN	GE		19.10. 9
			17:32

THIS DOCUMENT CONTAINS PROPRIETARY INFORMATION WHICH IS THE PROPERTY OF BEHRINGER. THAT MAY NOT BE DISCLOSED, REPRODUCED OR USED WITHOUT EXPRESS WRITTEN CONSENT FROM BEHRINGER

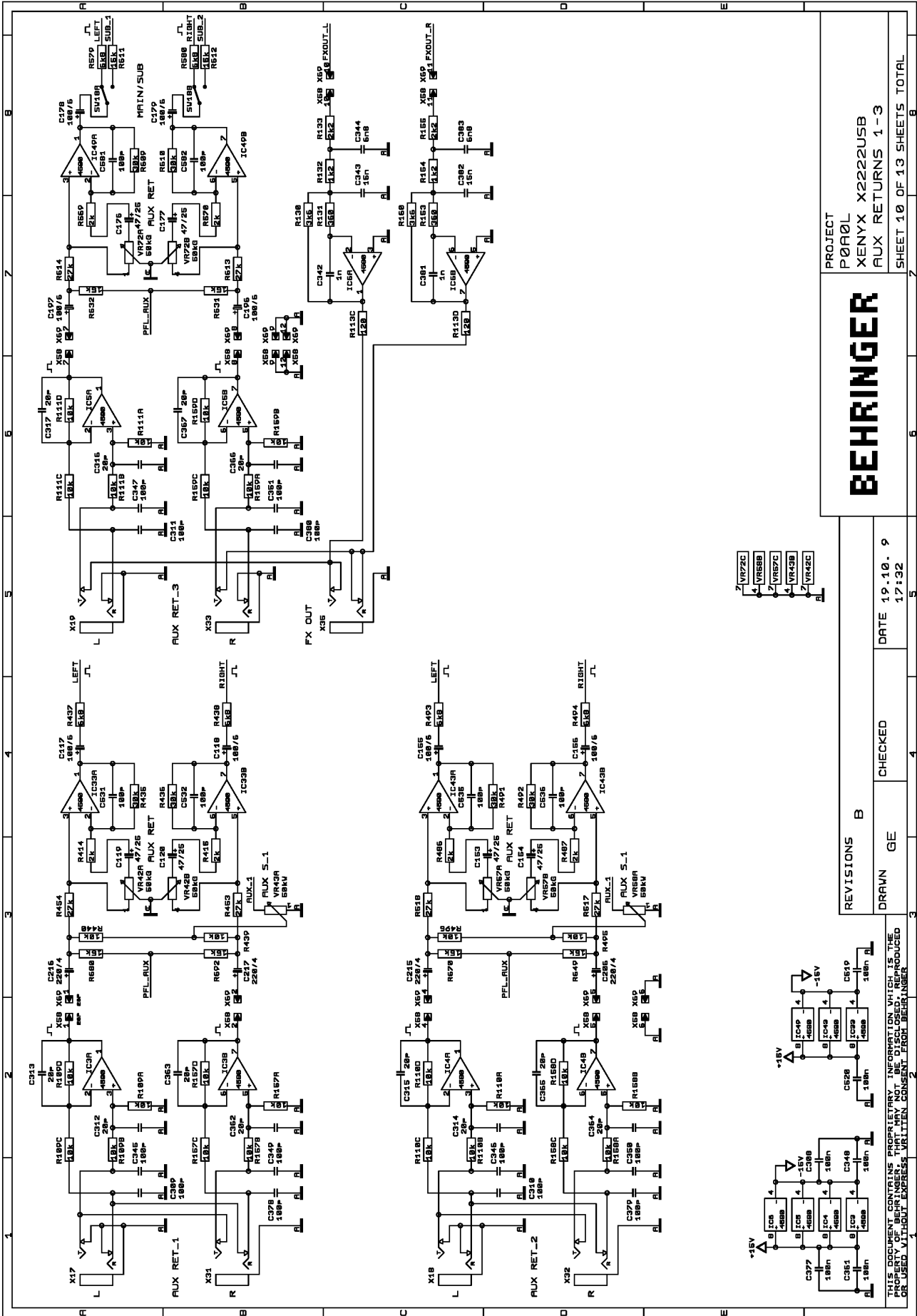


PROJECT P0A0L
XENYX X2222USB
STEREO CHANNEL 13-16
SHEET 9 OF 13 SHEETS TOTAL

BEHRINGER

REVISONS	B	CHECKED	DATE
DRAWN	GE		19.10. 9
			17:32

THIS DOCUMENT CONTAINS PROPRIETARY INFORMATION WHICH IS THE PROPERTY OF BEHRINGER. THAT MAY NOT BE DISCLOSED, REPRODUCED OR USED WITHOUT EXPRESS WRITTEN CONSENT FROM BEHRINGER

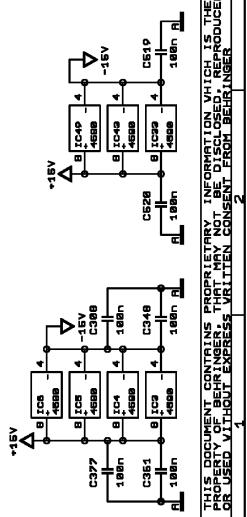
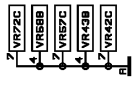


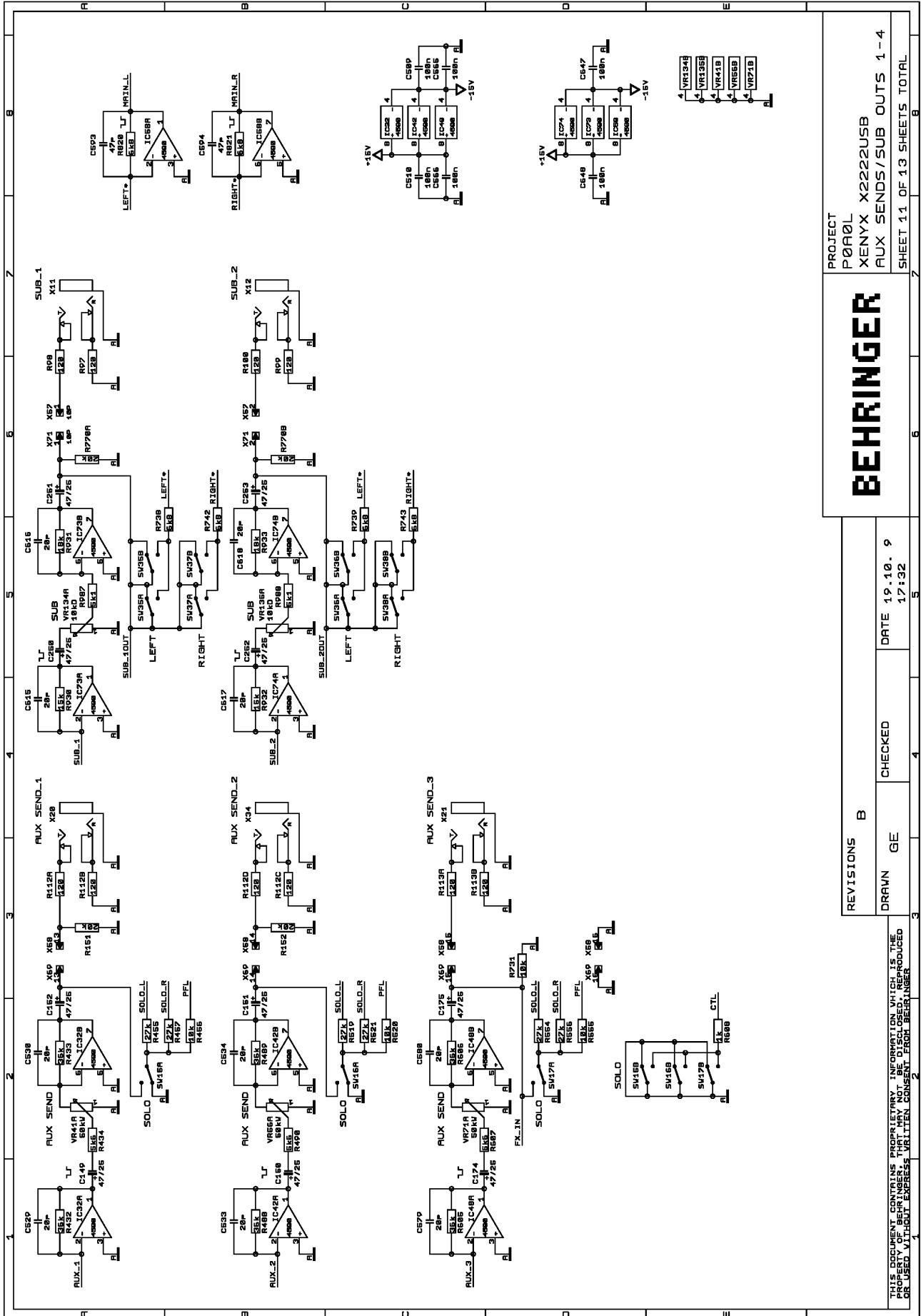
PROJECT
 P0A0L
 XENYX X2222USB
 FLUX RETURNS 1-3

BEHRINGER

SHEET 10 OF 13 SHEETS TOTAL

DATE 19.10. 9	CHECKED
17:32	
REVISIONS B	DRAWN GE





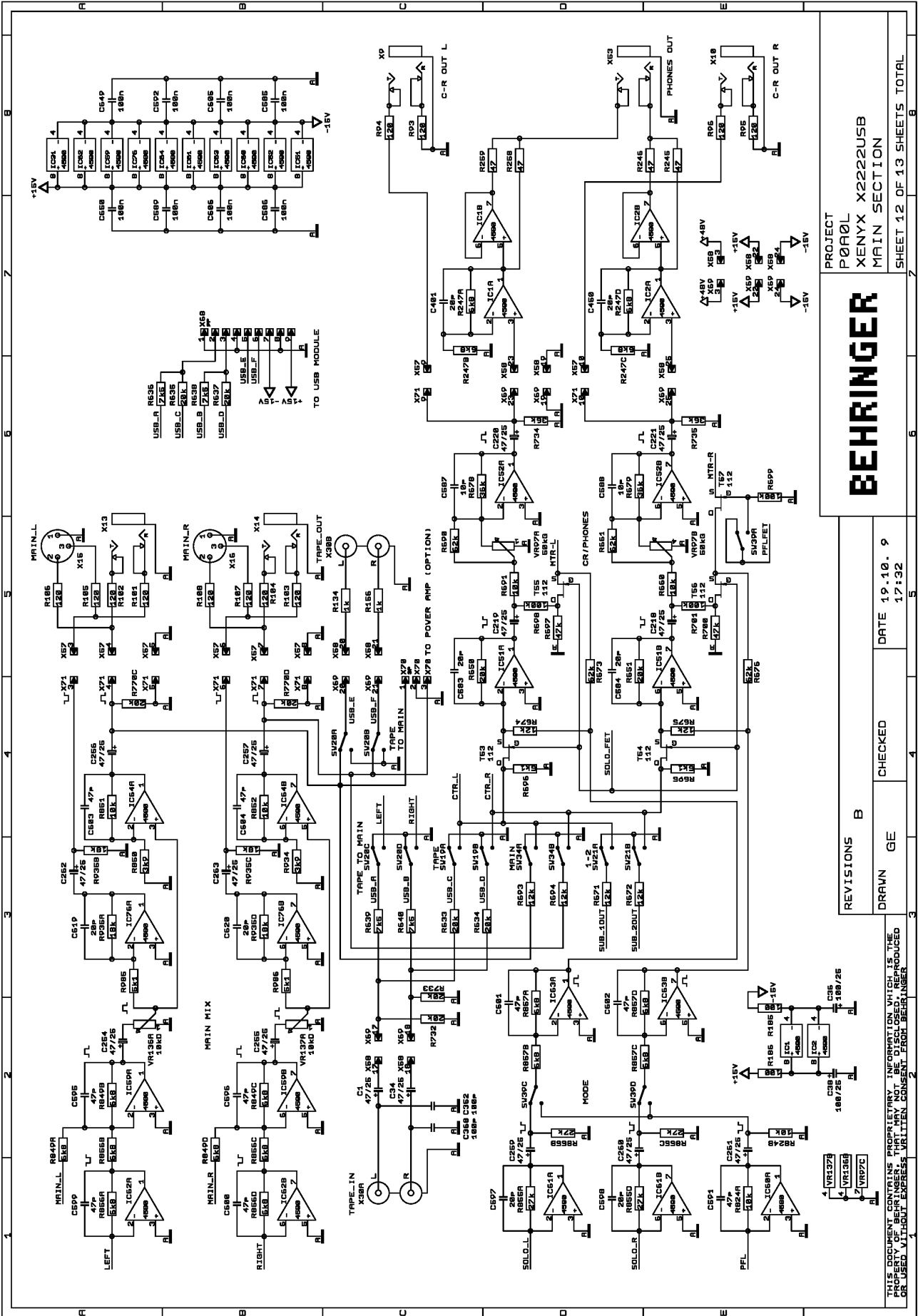
PROJECT
 P0A0L
 XENYX X2222USB
 AUX SENDS/SUB OUTS 1-4

BEHRINGER

REVISIONS B
 DRAWN GE
 CHECKED

DATE 19.10. 9
 17:32

SHEET 11 OF 13 SHEETS TOTAL



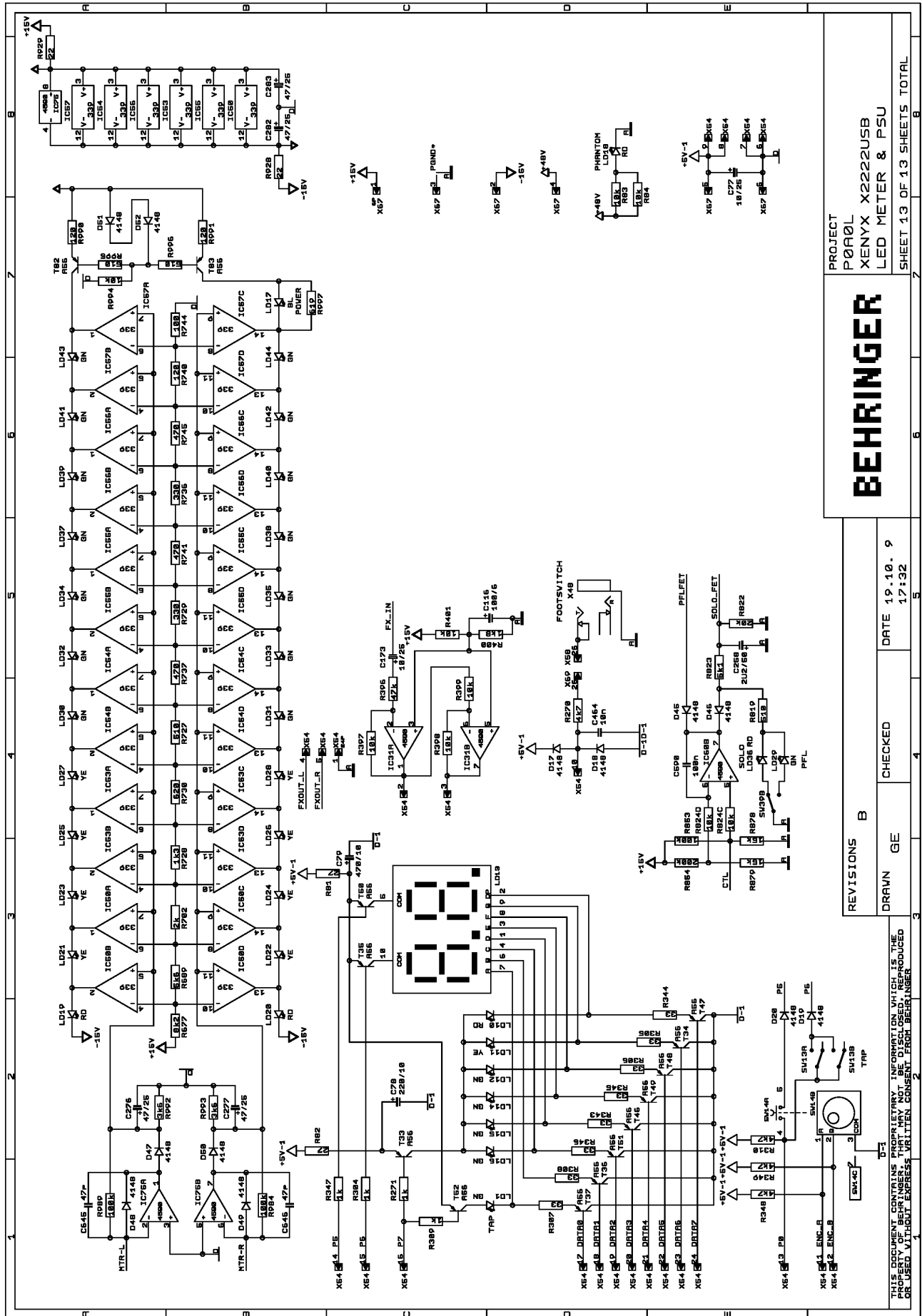
BEHRINGER

PROJECT P080L
XENYX X2222USB
MAIN SECTION

REVISIONS	DATE
B	19.10.9
DRAWN	CHECKED
GE	17:32

SHEET 12 OF 13 SHEETS TOTAL

THIS DOCUMENT CONTAINS PROPRIETARY INFORMATION WHICH IS THE PROPERTY OF BEHRINGER. IT MAY NOT BE DISCLOSED, REPRODUCED OR USED WITHOUT EXPRESS WRITTEN CONSENT FROM BEHRINGER.

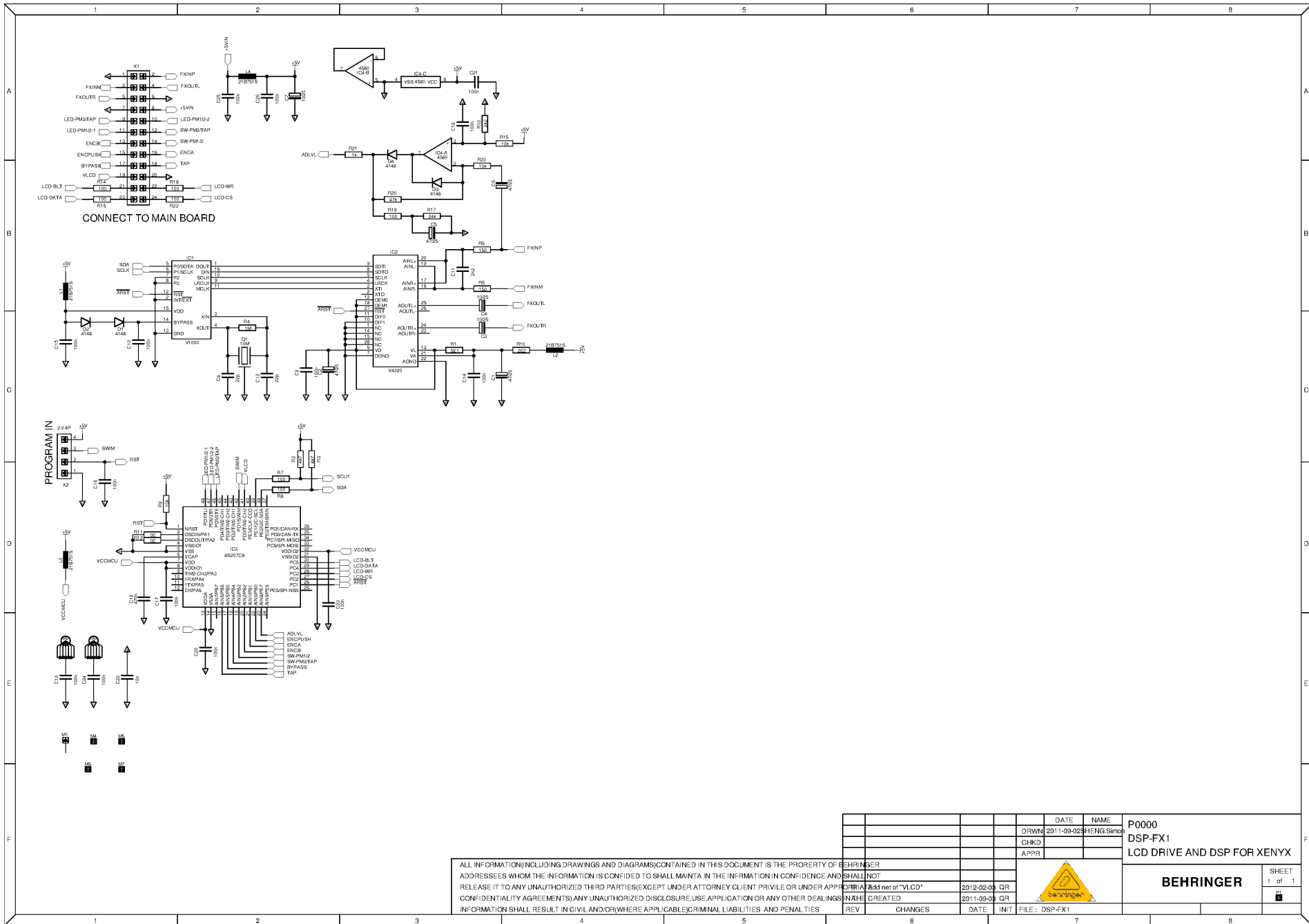


PROJECT
 P0R0L
 XENYX X2222USB
 LED METER & PSU
 SHEET 13 OF 13 SHEETS TOTAL


BEHRINGER

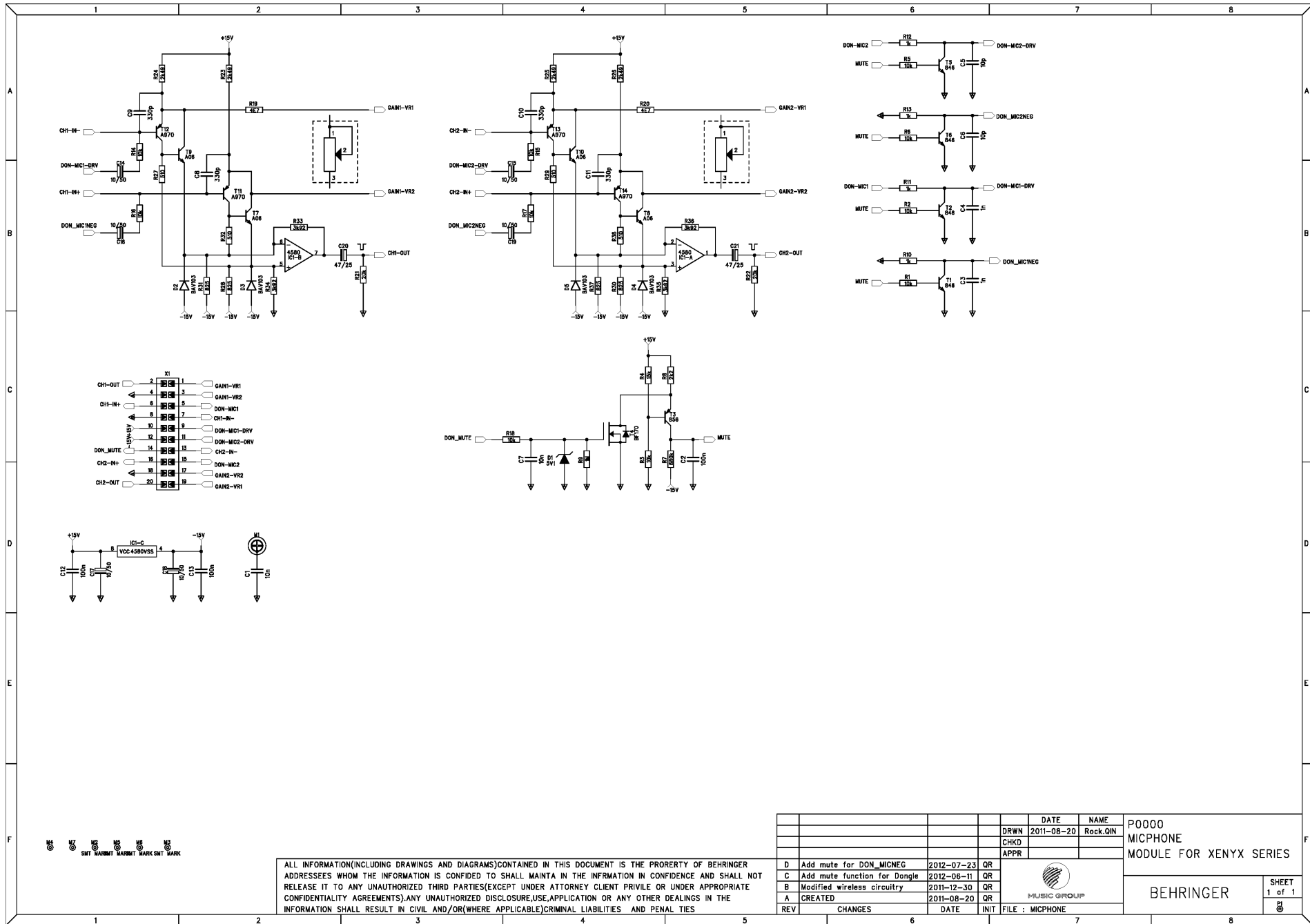
REVISIONS	B	CHECKED	DATE
DRAWN	GE		19.10.9
			17:32

THIS DOCUMENT CONTAINS CONFIDENTIAL INFORMATION WHICH IS THE PROPERTY OF BEHRINGER. IT MAY NOT BE DISCLOSED, REPRODUCED OR USED WITHOUT EXPRESS WRITTEN CONSENT FROM BEHRINGER.



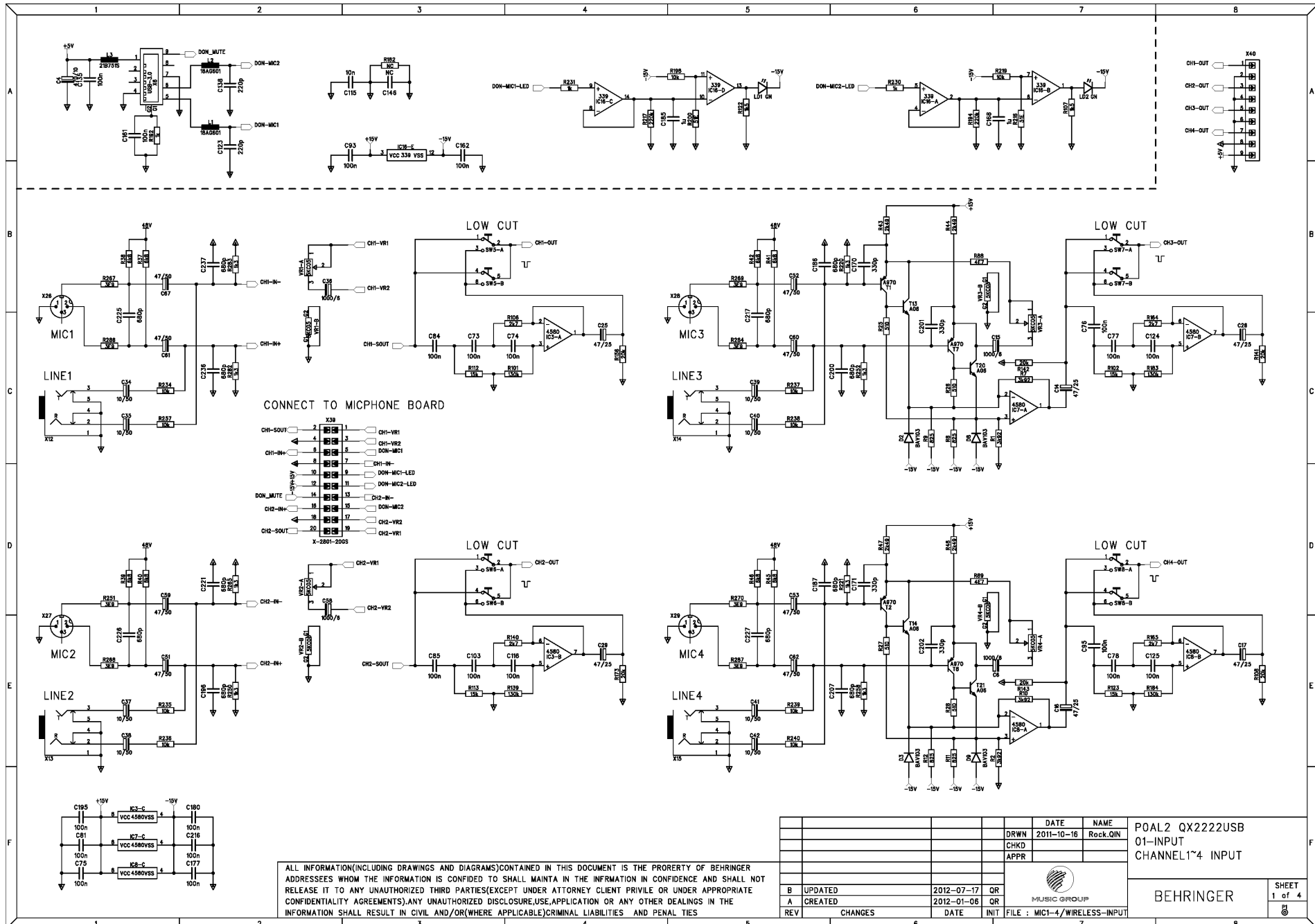
ALL INFORMATION (INCLUDING DRAWINGS AND DIAGRAMS) CONTAINED IN THIS DOCUMENT IS THE PROPERTY OF BEHRINGER. ADDRESSEES WHOM THE INFORMATION IS CONFIDED TO SHALL MAINTAIN THE INFORMATION IN CONFIDENCE AND SHALL NOT RELEASE IT TO ANY UNAUTHORIZED THIRD PARTIES (EXCEPT UNDER ATTORNEY CLIENT PRIVILEGE OR UNDER APPLICABLE CONFIDENTIALITY AGREEMENTS). ANY UNAUTHORIZED DISCLOSURE, USE, APPLICATION OR ANY OTHER DEALINGS IN THIS INFORMATION SHALL RESULT IN CIVIL AND/OR (WHERE APPLICABLE) CRIMINAL LIABILITIES AND PENALTIES.

DATE	NAME	P0000
DRWN 2011-09-02	HENG Simo	DSP-FX1
CHKD		LCD DRIVE AND DSP FOR XENYX
APPR		
		BEHRINGER
REV	CHANGES	SHEET 1 of 1
DATE	INIT	FILE: DSP-FX1

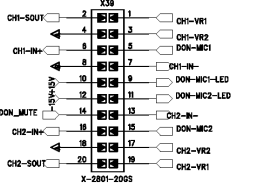


ALL INFORMATION (INCLUDING DRAWINGS AND DIAGRAMS) CONTAINED IN THIS DOCUMENT IS THE PROPERTY OF BEHRINGER ADDRESSEES WHOM THE INFORMATION IS CONFIDED TO SHALL MAINTAIN THE INFORMATION IN CONFIDENCE AND SHALL NOT RELEASE IT TO ANY UNAUTHORIZED THIRD PARTIES (EXCEPT UNDER ATTORNEY CLIENT PRIVILEGE OR UNDER APPROPRIATE CONFIDENTIALITY AGREEMENTS). ANY UNAUTHORIZED DISCLOSURE, USE, APPLICATION OR ANY OTHER DEALINGS IN THE INFORMATION SHALL RESULT IN CIVIL AND/OR (WHERE APPLICABLE) CRIMINAL LIABILITIES AND PENAL TIES.

				DATE	NAME	P0000 MICPHONE MODULE FOR XENYX SERIES
			DRWN	2011-08-20	Rock.QIN	
			CHKD			
			APPR			
D	Add mute for DON_MICNEG	2012-07-23	QR			 BEHRINGER SHEET 1 of 1
C	Add mute function for Dangle	2012-06-11	QR			
B	Modified wireless circuitry	2011-12-30	QR			
A	CREATED	2011-08-20	QR			
REV	CHANGES	DATE	INIT	FILE : MICPHONE		



CONNECT TO MICPHONE BOARD



ALL INFORMATION (INCLUDING DRAWINGS AND DIAGRAMS) CONTAINED IN THIS DOCUMENT IS THE PROPERTY OF BEHRINGER ADDRESSEES WHOM THE INFORMATION IS CONFIDED TO. THE INFORMATION IS CONFIDED IN CONFIDENCE AND SHALL NOT BE RELEASED TO ANY UNAUTHORIZED THIRD PARTIES (EXCEPT UNDER ATTORNEY CLIENT PRIVILEGE OR UNDER APPROPRIATE CONFIDENTIALITY AGREEMENTS). ANY UNAUTHORIZED DISCLOSURE, USE, APPLICATION OR ANY OTHER DEALINGS IN THE INFORMATION SHALL RESULT IN CIVIL AND/OR (WHERE APPLICABLE) CRIMINAL LIABILITIES AND PENAL TIES

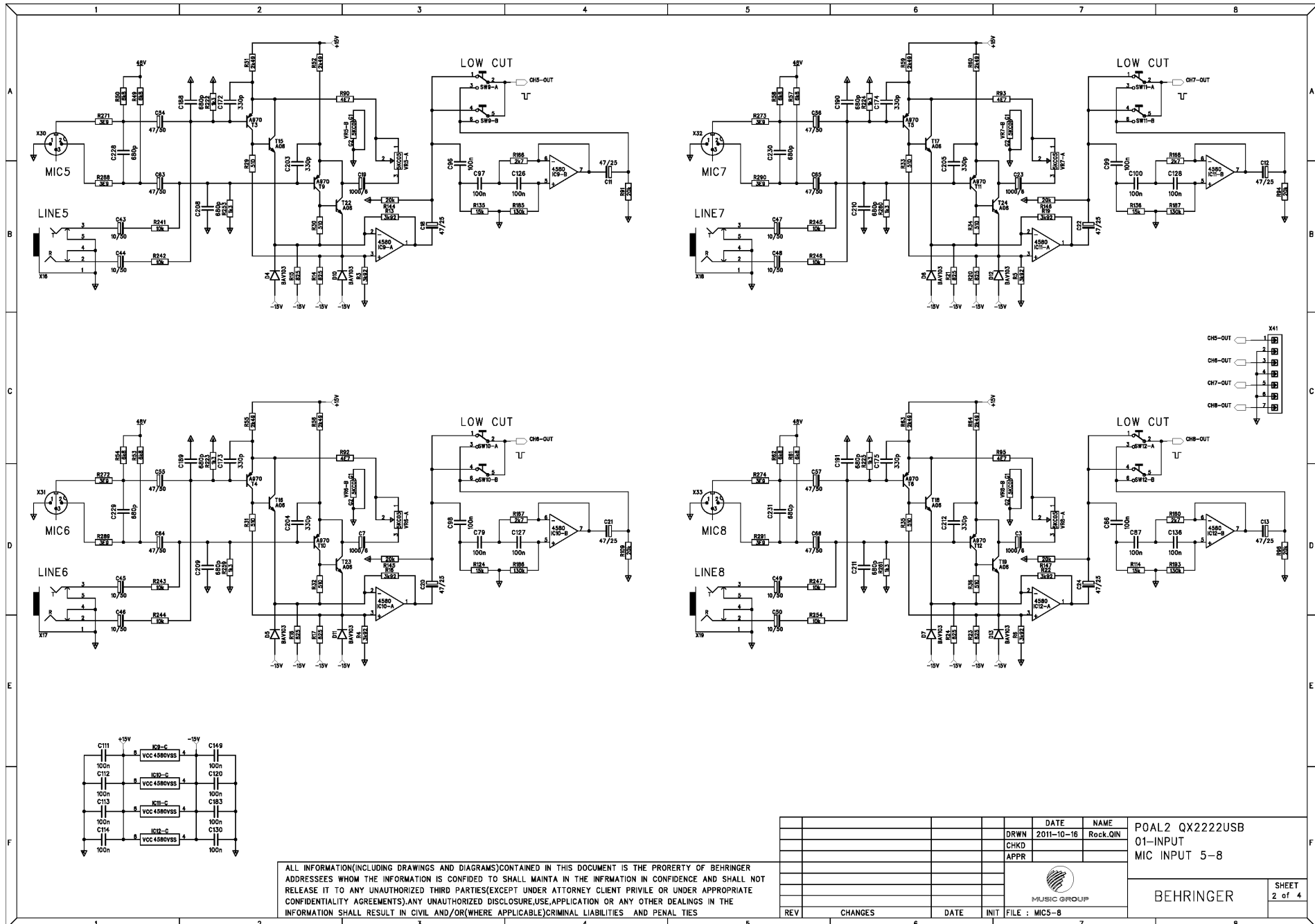
REV	CHANGES	DATE	INIT	FILE	DATE	NAME	DRWN	CHKD	APPR
B	UPDATED	2012-07-17	QR		2011-10-16	Rock.QIN			
A	CREATED	2012-01-05	QR						

POAL2 QX2222USB
01-INPUT
CHANNEL 1~4 INPUT

BEHRINGER

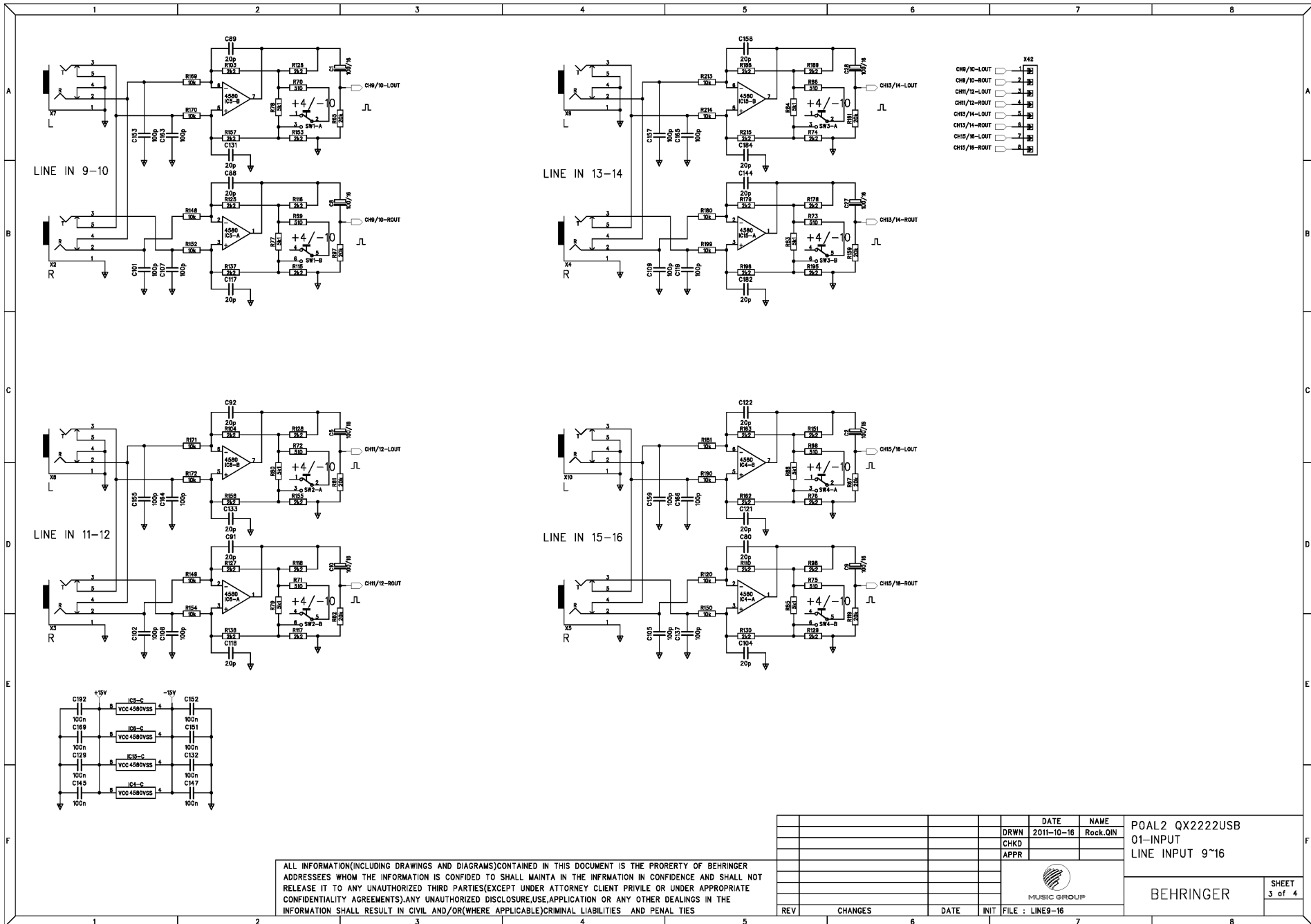
MUSIC GROUP

SHEET 1 of 4



ALL INFORMATION (INCLUDING DRAWINGS AND DIAGRAMS) CONTAINED IN THIS DOCUMENT IS THE PROPERTY OF BEHRINGER ADDRESSEES WHOM THE INFORMATION IS CONFIDED TO SHALL MAINTAIN THE INFORMATION IN CONFIDENCE AND SHALL NOT RELEASE IT TO ANY UNAUTHORIZED THIRD PARTIES (EXCEPT UNDER ATTORNEY CLIENT PRIVILEGE OR UNDER APPROPRIATE CONFIDENTIALITY AGREEMENTS). ANY UNAUTHORIZED DISCLOSURE, USE, APPLICATION OR ANY OTHER DEALINGS IN THE INFORMATION SHALL RESULT IN CIVIL AND/OR (WHERE APPLICABLE) CRIMINAL LIABILITIES AND PENAL TIES

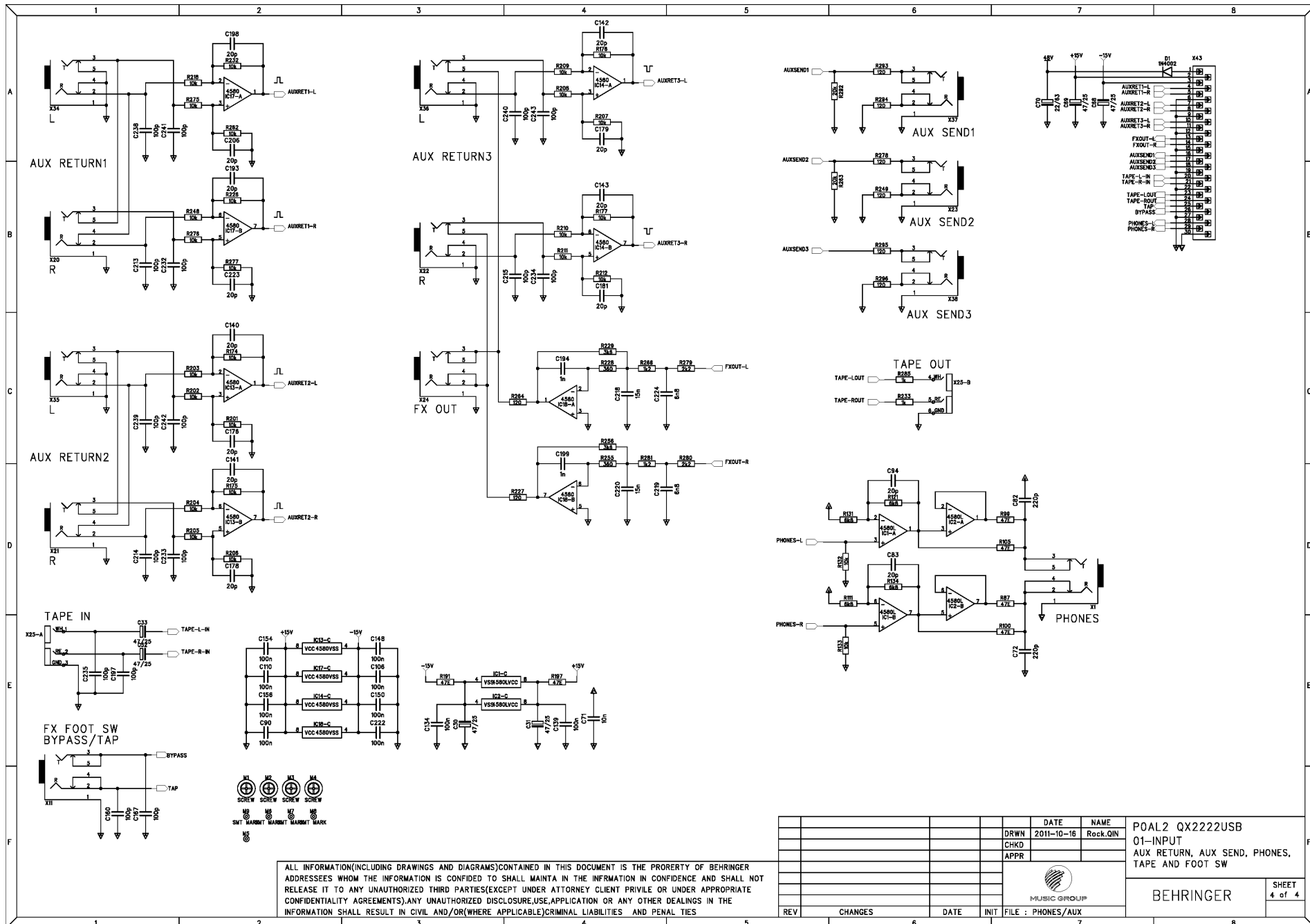
DATE	2011-10-16	NAME	Rock.QIN
DRWN			
CHKD			
APPR			
POAL2 QX2222USB			SHEET 2 of 4
01-INPUT MIC INPUT 5-8			
BEHRINGER			
REV	CHANGES	DATE	INIT
			FILE : MIC5-8



- X42
- CH9/I0-ROUT
- CH9/O-ROUT
- CH11/2-ROUT
- CH11/I2-ROUT
- CH13/4-ROUT
- CH13/I4-ROUT
- CH15/6-ROUT
- CH15/I6-ROUT

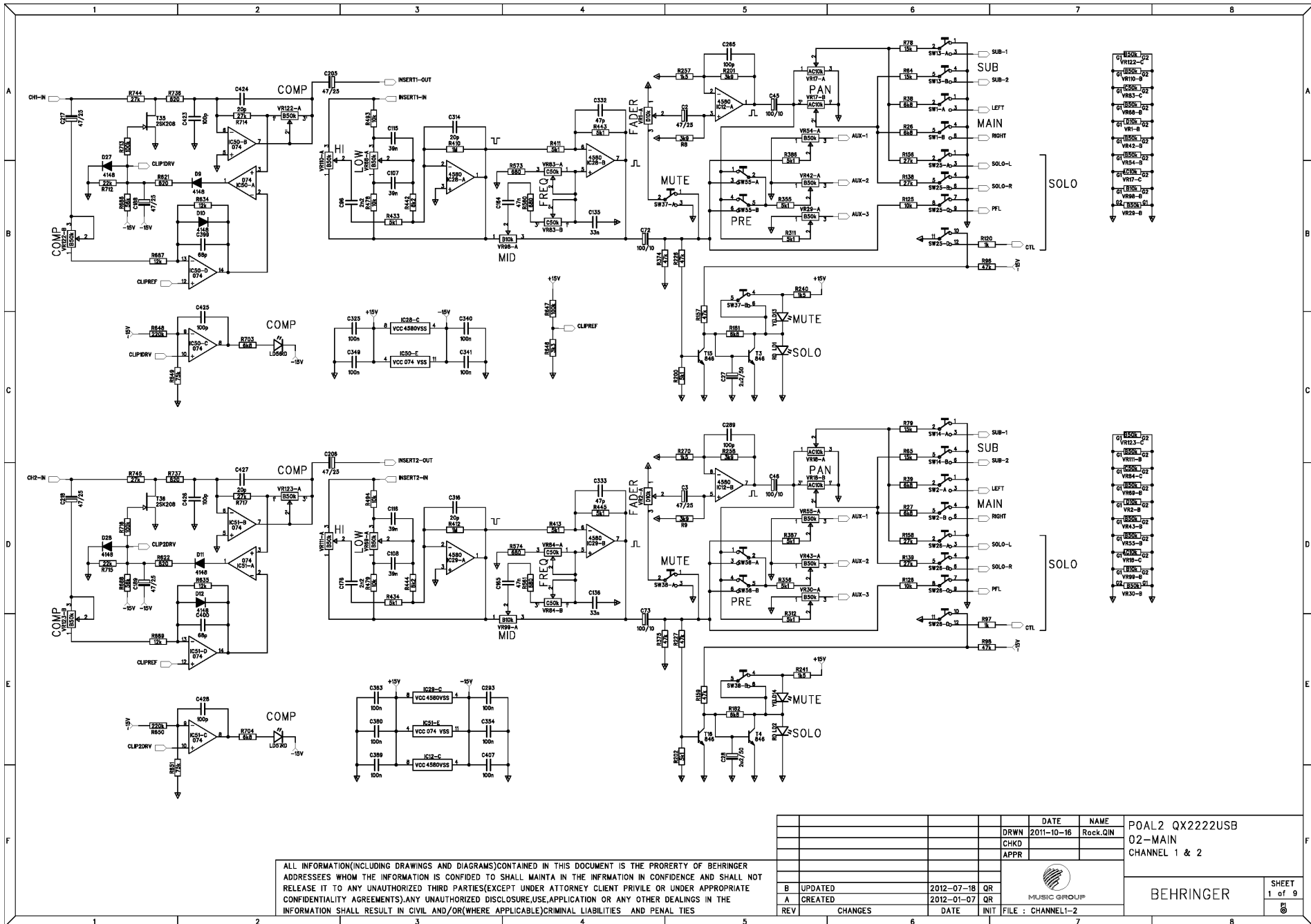
ALL INFORMATION(INCLUDING DRAWINGS AND DIAGRAMS)CONTAINED IN THIS DOCUMENT IS THE PRORPY OF BEHRINGER ADDRESSEES WHOM THE INFORMATION IS CONFIDED TO SHALL MAINTA IN THE INFIRMATION IN CONFIDENCE AND SHALL NOT RELEASE IT TO ANY UNAUTHORIZED THIRD PARTIES(EXCEPT UNDER ATTORNEY CLIENT PRIVILE OR UNDER APPROPRIATE CONFIDENTIALITY AGREEMENTS).ANY UNAUTHORIZED DISCLOSURE,USE,APPLICATION OR ANY OTHER DEALINGS IN THE INFORMATION SHALL RESULT IN CIVIL AND/OR(WHERE APPLICABLE)CRIMINAL LIABILITIES AND PENAL TIES

DRWN	2011-10-16	NAME	Rock.QIN	POAL2 QX2222USB 01-INPUT LINE INPUT 9~16
CHKD				
APPR				
MUSIC GROUP			BEHRINGER	SHEET 3 of 4
REV	CHANGES	DATE	INIT	FILE : LINE9-16



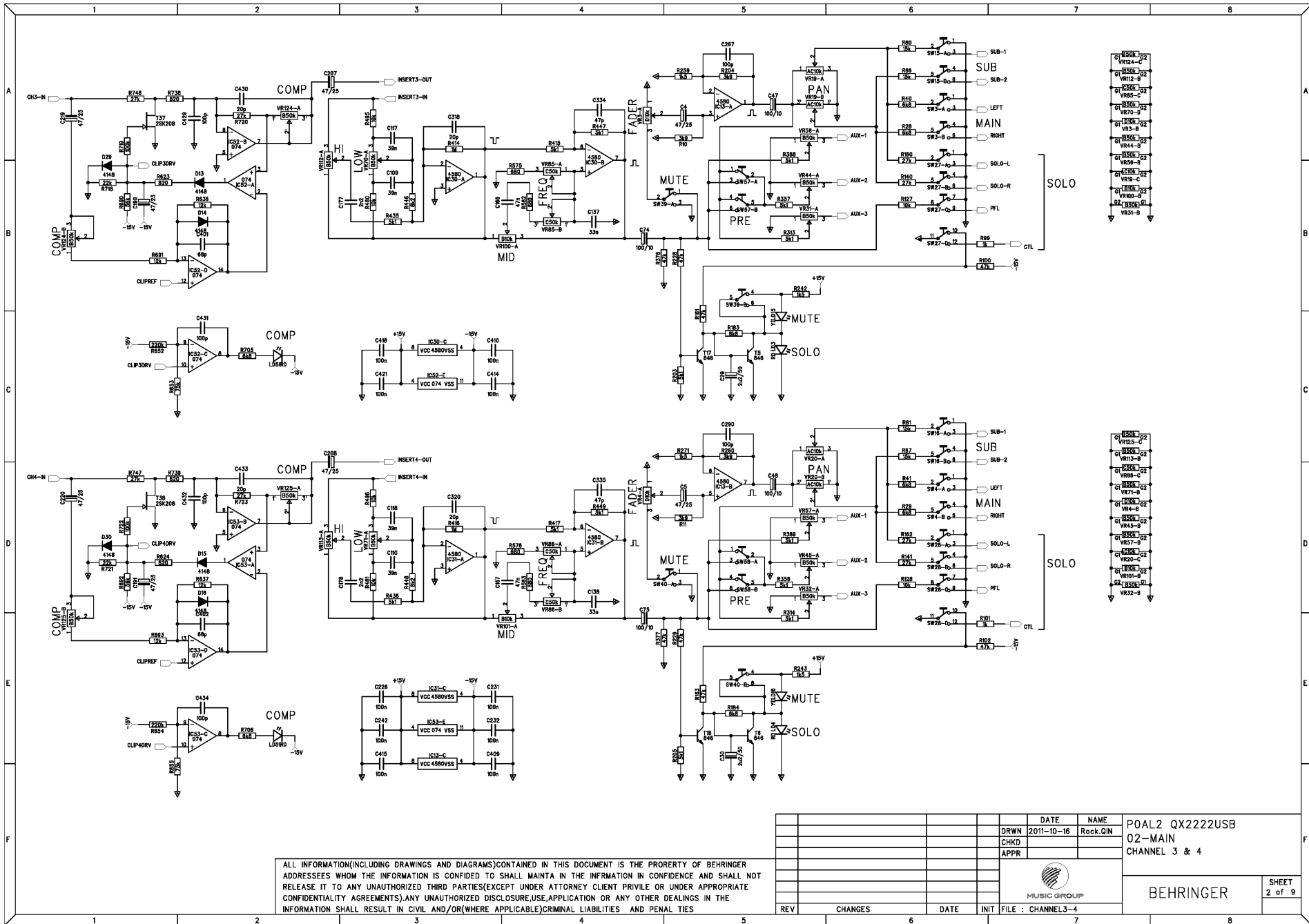
ALL INFORMATION (INCLUDING DRAWINGS AND DIAGRAMS) CONTAINED IN THIS DOCUMENT IS THE PROPERTY OF BEHRINGER ADDRESSEES WHOM THE INFORMATION IS CONFIDED TO SHALL MAINTAIN THE INFORMATION IN CONFIDENCE AND SHALL NOT RELEASE IT TO ANY UNAUTHORIZED THIRD PARTIES (EXCEPT UNDER ATTORNEY CLIENT PRIVILEGE OR UNDER APPROPRIATE CONFIDENTIALITY AGREEMENTS). ANY UNAUTHORIZED DISCLOSURE, USE, APPLICATION OR ANY OTHER DEALINGS IN THE INFORMATION SHALL RESULT IN CIVIL AND/OR (WHERE APPLICABLE) CRIMINAL LIABILITIES AND PENAL TIES

REV	CHANGES	DATE	INIT	FILE : PHONES/AUX	DATE	NAME	POAL2 QX2222USB
		2011-10-16				Rock.QIN	01-INPUT
							AUX RETURN, AUX SEND, PHONES,
							TAPE AND FOOT SW
							BEHRINGER
							SHEET 4 of 4

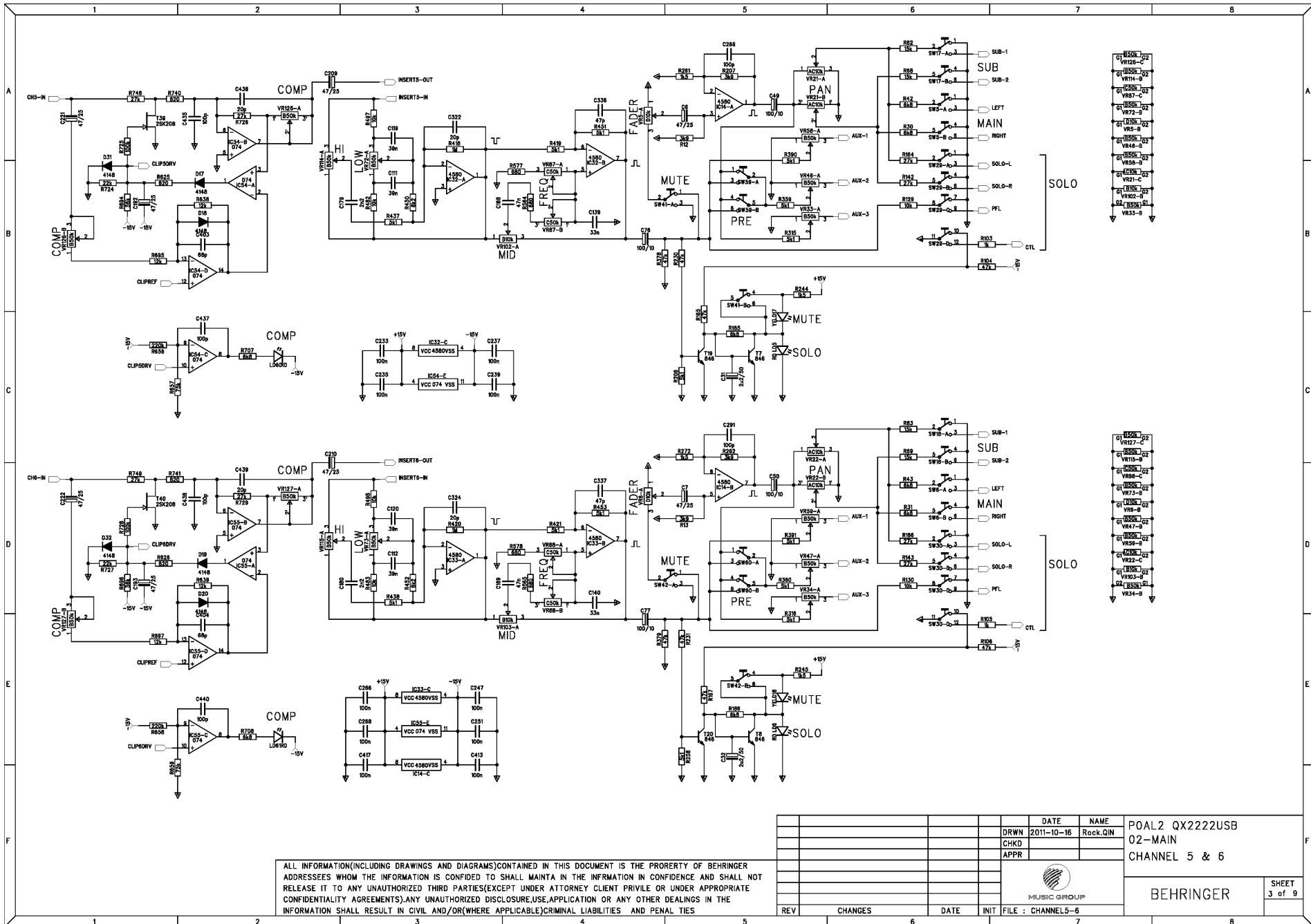


ALL INFORMATION (INCLUDING DRAWINGS AND DIAGRAMS) CONTAINED IN THIS DOCUMENT IS THE PROPERTY OF BEHRINGER ADDRESSEES WHOM THE INFORMATION IS CONFIDED TO SHALL MAINTAIN IN THE INFORMATION IN CONFIDENCE AND SHALL NOT RELEASE IT TO ANY UNAUTHORIZED THIRD PARTIES (EXCEPT UNDER ATTORNEY CLIENT PRIVILEGE OR UNDER APPROPRIATE CONFIDENTIALITY AGREEMENTS). ANY UNAUTHORIZED DISCLOSURE, USE, APPLICATION OR ANY OTHER DEALINGS IN THE INFORMATION SHALL RESULT IN CIVIL AND/OR (WHERE APPLICABLE) CRIMINAL LIABILITIES AND PENAL TIES

DRWN	2011-10-16	NAME	POAL2 QX2222USB
CHKD		Rock.QIN	02-MAIN
APPR			CHANNEL 1 & 2
B	UPDATED	2012-07-18	QR
A	CREATED	2012-01-07	QR
REV	CHANGES	DATE	INIT
			FILE : CHANNEL1-2
			SHEET 1 of 9
			BEHRINGER

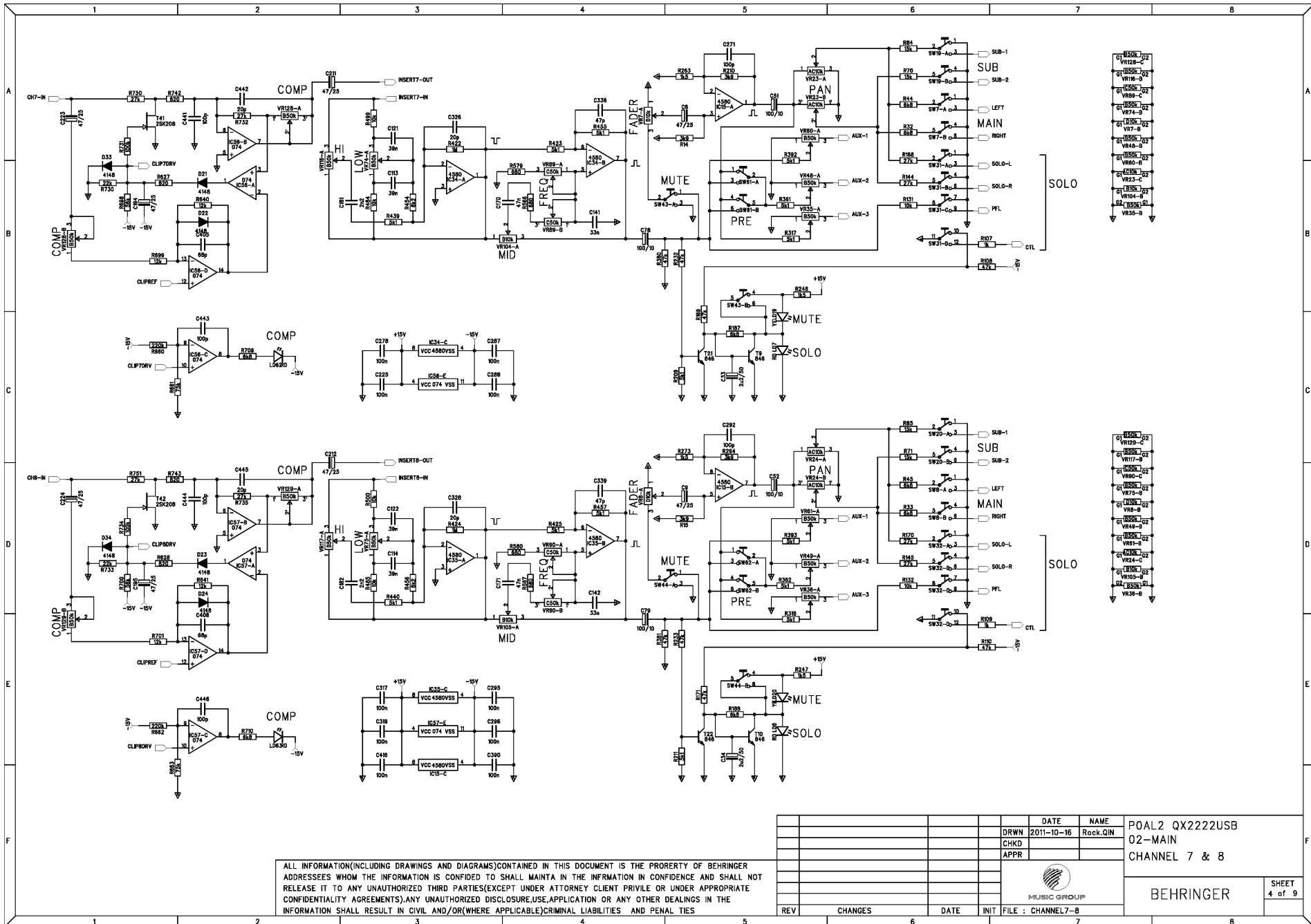


ALL INFORMATION (INCLUDING DRAWINGS AND DIAGRAMS) CONTAINED IN THIS DOCUMENT IS THE PROPERTY OF BEHRINGER ADDRESSEES WHOM THE INFORMATION IS CONFIDED TO SHALL MAINTAIN IN THE INFORMATION IN CONFIDENCE AND SHALL NOT RELEASE IT TO ANY UNAUTHORIZED THIRD PARTIES (EXCEPT UNDER ATTORNEY CLIENT PRIVILEGE OR UNDER APPROPRIATE CONFIDENTIALITY AGREEMENTS). ANY UNAUTHORIZED DISCLOSURE, USE, APPLICATION OR ANY OTHER DEALINGS IN THE INFORMATION SHALL RESULT IN CIVIL AND/OR (WHERE APPLICABLE) CRIMINAL LIABILITIES AND PENAL TIES



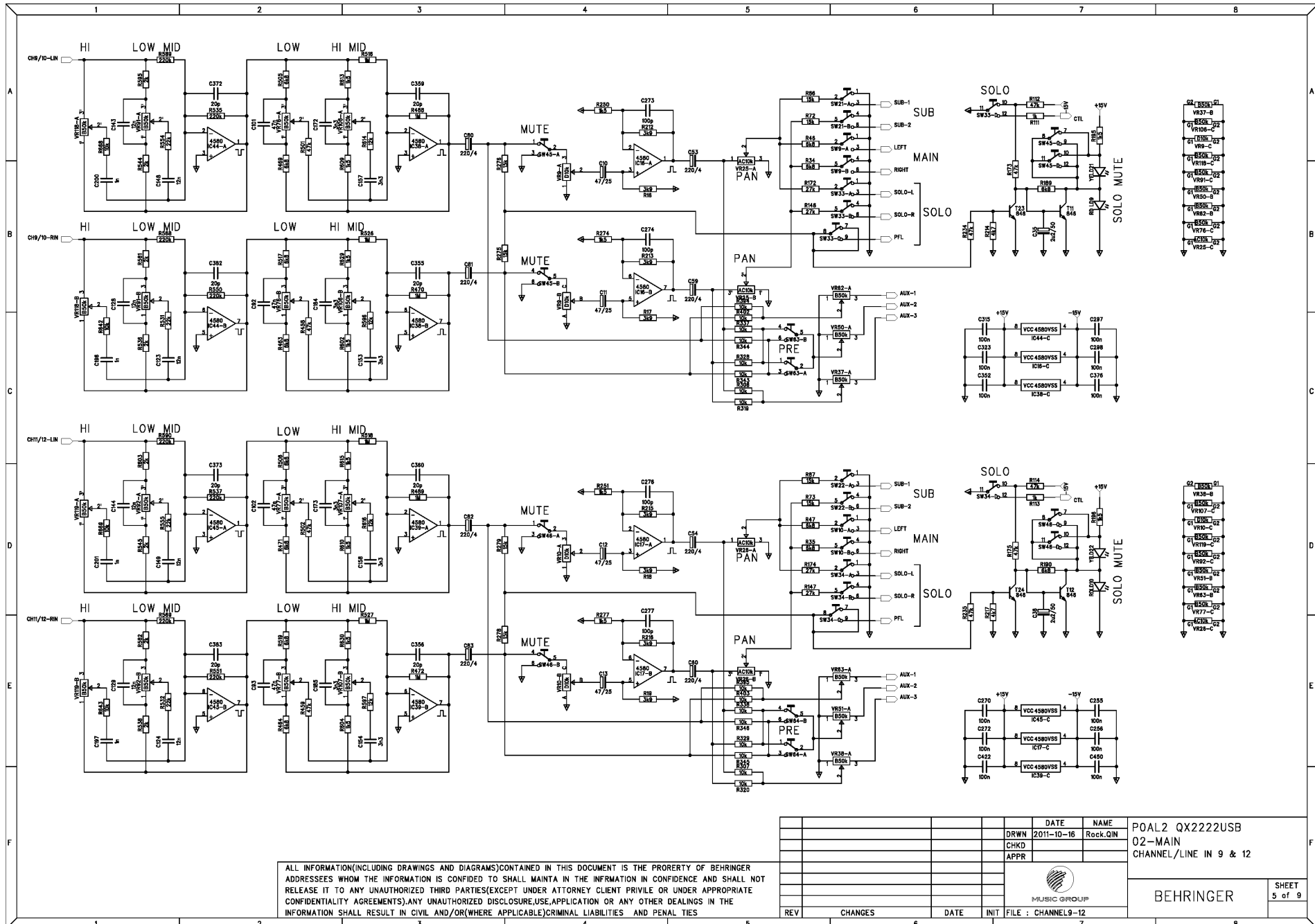
ALL INFORMATION (INCLUDING DRAWINGS AND DIAGRAMS) CONTAINED IN THIS DOCUMENT IS THE PROPERTY OF BEHRINGER ADDRESSEES WHOM THE INFORMATION IS CONFIDED TO SHALL MAINTAIN THE INFORMATION IN CONFIDENCE AND SHALL NOT RELEASE IT TO ANY UNAUTHORIZED THIRD PARTIES (EXCEPT UNDER ATTORNEY CLIENT PRIVILEGE OR UNDER APPROPRIATE CONFIDENTIALITY AGREEMENTS). ANY UNAUTHORIZED DISCLOSURE, USE, APPLICATION OR ANY OTHER DEALINGS IN THE INFORMATION SHALL RESULT IN CIVIL AND/OR (WHERE APPLICABLE) CRIMINAL LIABILITIES AND PENAL TIES

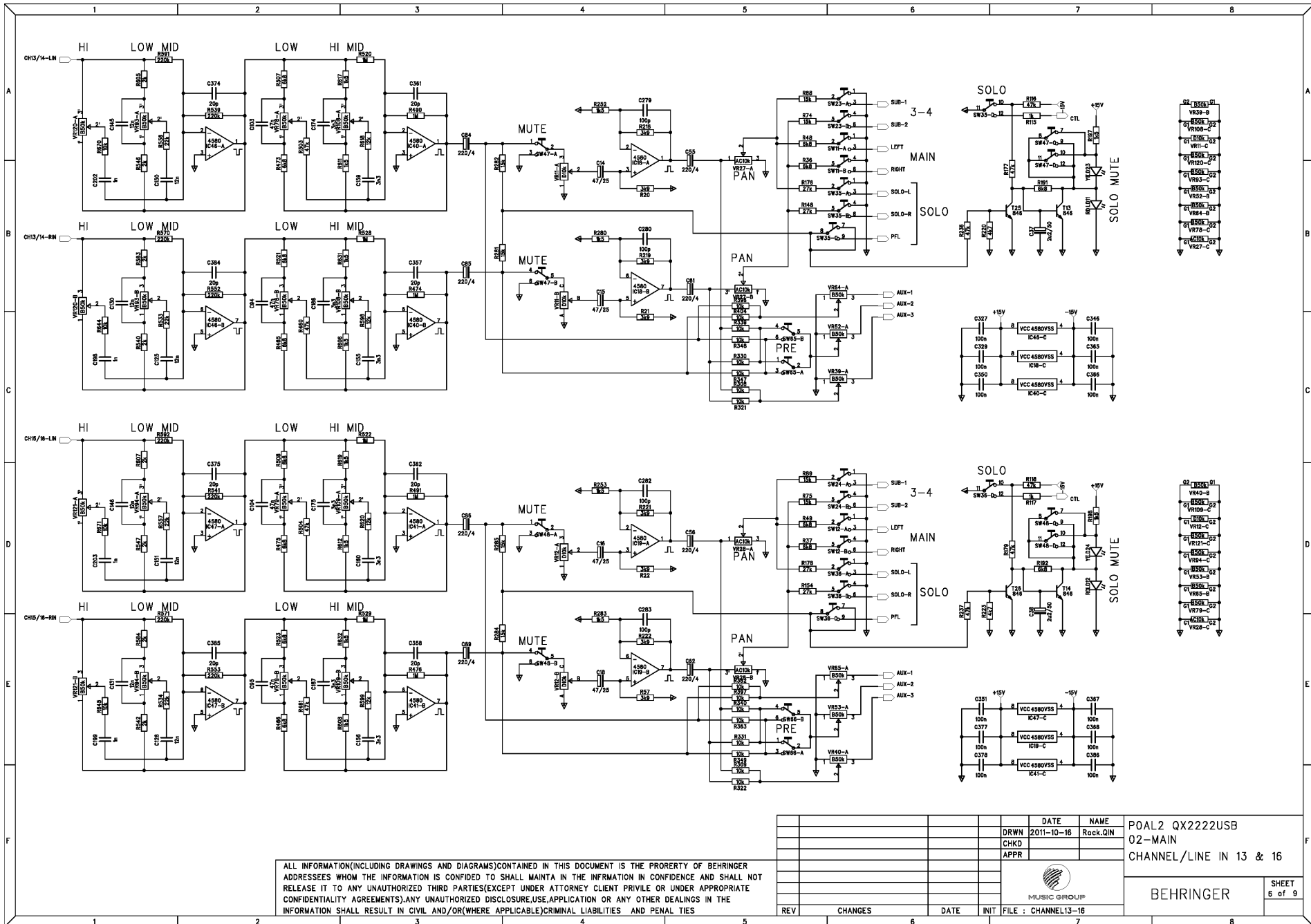
DRWN	2011-10-16	NAME	POAL2 QX2222USB
CHKD		Rack.QIN	02-MAIN
APPR			CHANNEL 5 & 6
			BEHRINGER
			SHEET 3 of 9



ALL INFORMATION(INCLUDING DRAWINGS AND DIAGRAMS)CONTAINED IN THIS DOCUMENT IS THE PROPERTY OF BEHRINGER ADDRESSEES WHOM THE INFORMATION IS CONFIDED TO SHALL MAINTA IN THE INFORMATION IN CONFIDENCE AND SHALL NOT RELEASE IT TO ANY UNAUTHORIZED THIRD PARTIES(EXCEPT UNDER ATTORNEY CLIENT PRIVILE OR UNDER APPROPRIATE CONFIDENTIALITY AGREEMENTS).ANY UNAUTHORIZED DISCLOSURE,USE,APPLICATION OR ANY OTHER DEALINGS IN THE INFORMATION SHALL RESULT IN CIVIL AND/OR(WHERE APPLICABLE)CRIMINAL LIABILITIES AND PENAL TIES

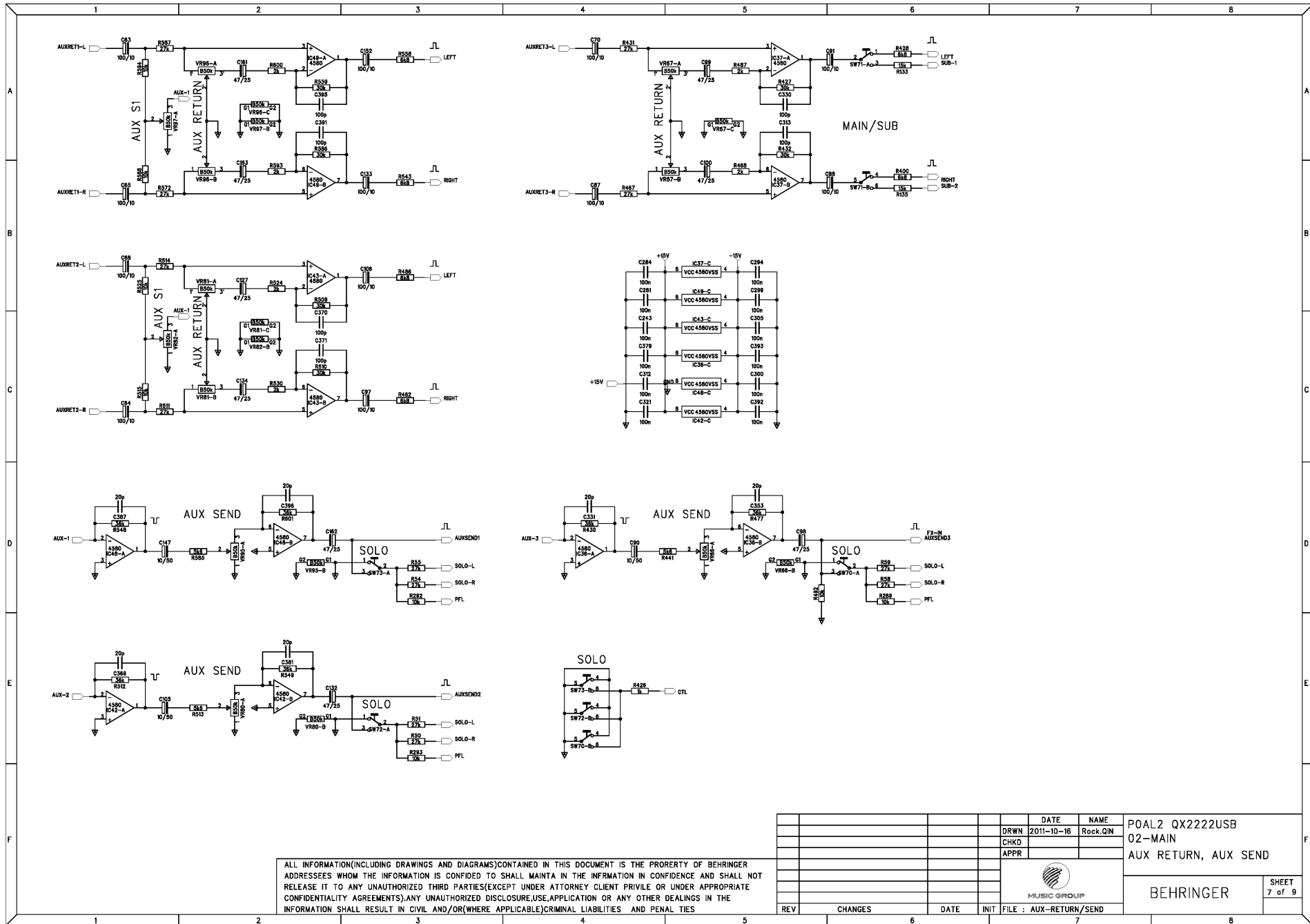
REV	CHANGES	DATE	INIT	FILE : CHANNEL7-8	DATE	NAME	POAL2 QX2222USB
					2011-10-16	Rack.QIN	02-MAIN
							CHANNEL 7 & 8
							BEHRINGER
							SHEET 4 of 9





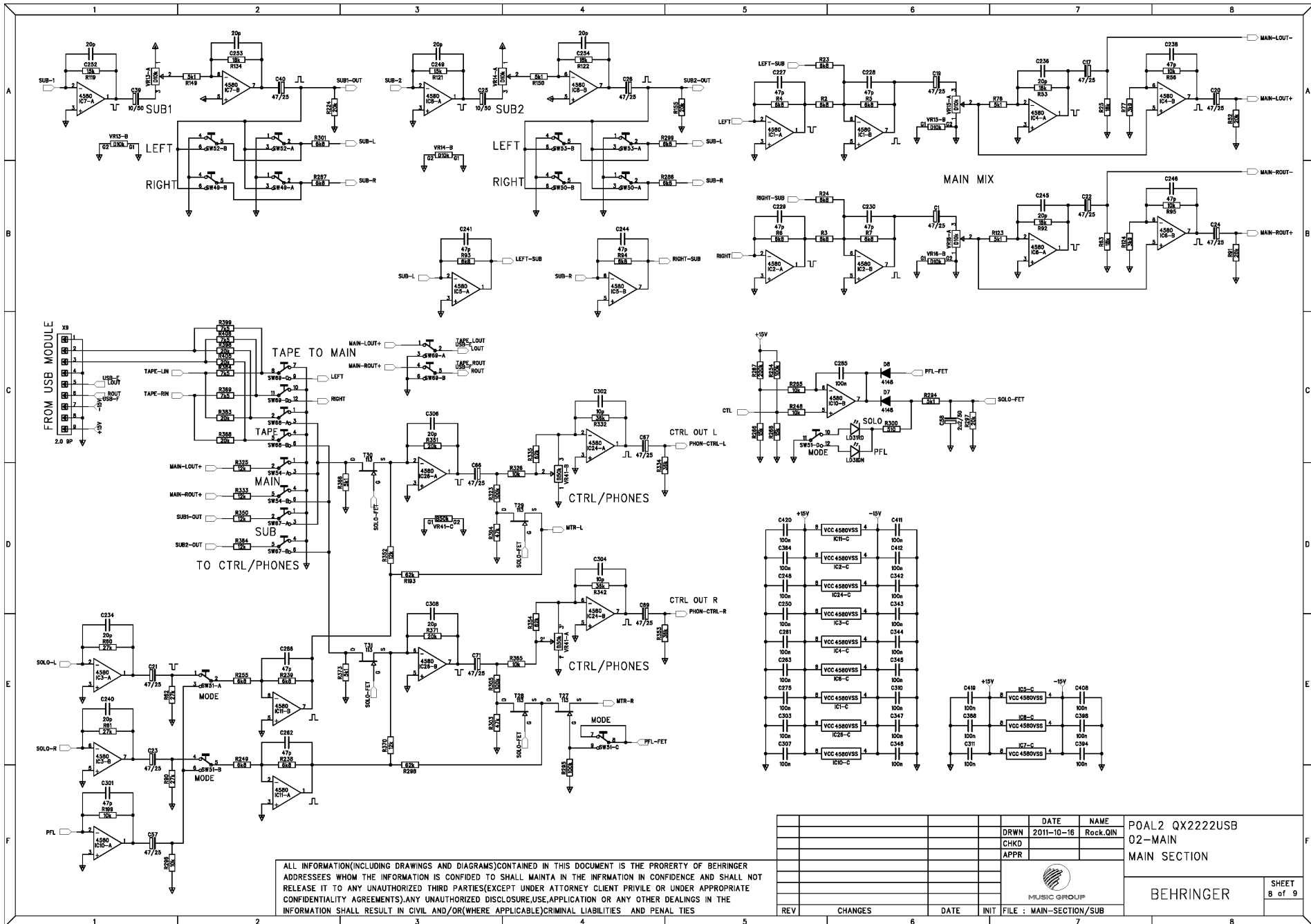
ALL INFORMATION(INCLUDING DRAWINGS AND DIAGRAMS)CONTAINED IN THIS DOCUMENT IS THE PROPERTY OF BEHRINGER ADDRESSEES WHOM THE INFORMATION IS CONFIDED TO SHALL MAINTAIN THE INFORMATION IN CONFIDENCE AND SHALL NOT RELEASE IT TO ANY UNAUTHORIZED THIRD PARTIES(EXCEPT UNDER ATTORNEY CLIENT PRIVILEGE OR UNDER APPROPRIATE CONFIDENTIALITY AGREEMENTS).ANY UNAUTHORIZED DISCLOSURE,USE,APPLICATION OR ANY OTHER DEALINGS IN THE INFORMATION SHALL RESULT IN CIVIL AND/OR(WHERE APPLICABLE)CRIMINAL LIABILITIES AND PENAL TIES

REV	CHANGES	DATE	INIT	FILE : CHANNEL13-16	DATE	NAME	POAL2 QX2222USB
						Rack.QIN	O2-MAIN
							CHANNEL/LINE IN 13 & 16
							BEHRINGER
							SHEET 6 of 9




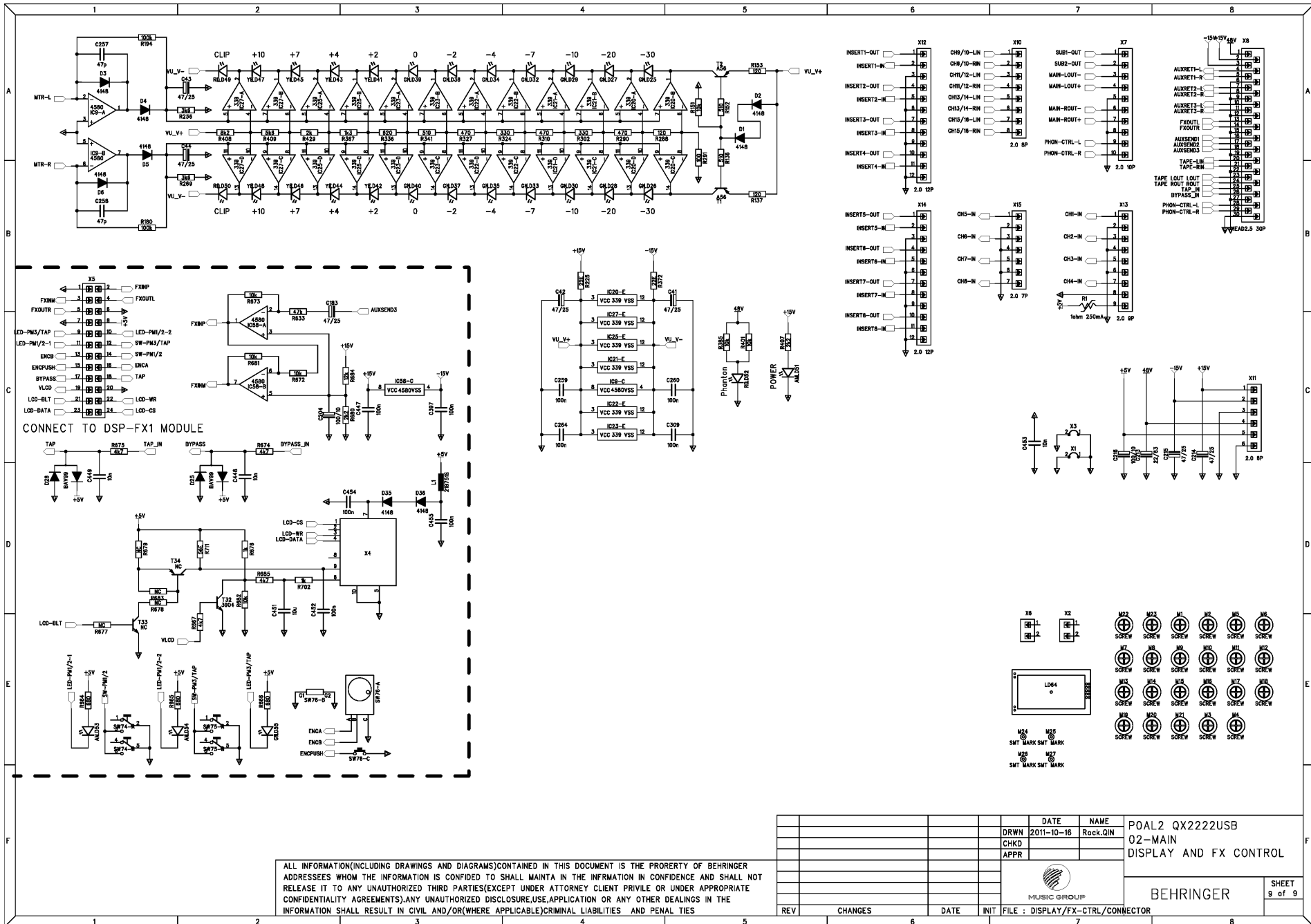
ALL INFORMATION (INCLUDING DRAWINGS AND DIAGRAMS) CONTAINED IN THIS DOCUMENT IS THE PROPERTY OF BEHRINGER ADDRESSEES WHOM THE INFORMATION IS CONFIDED TO SHALL MAINTAIN IN CONFIDENCE AND SHALL NOT RELEASE IT TO ANY UNAUTHORIZED THIRD PARTIES (EXCEPT UNDER ATTORNEY CLIENT PRIVILEGE OR UNDER APPROPRIATE CONFIDENTIALITY AGREEMENTS). ANY UNAUTHORIZED DISCLOSURE, USE, APPLICATION OR ANY OTHER DEALINGS IN THE INFORMATION SHALL RESULT IN CIVIL AND/OR (WHERE APPLICABLE) CRIMINAL LIABILITIES AND PENAL TIES

DATE	NAME	POAL2 QX2222USB 02-MAIN AUX RETURN, AUX SEND			
DRWN 2011-10-16	Rack.QIN				
CHKD					
APPR					
		BEHRINGER			
REV	CHANGES	DATE	INIT	FILE : AUX-RETURN/SEND	SHEET 7 of 9



ALL INFORMATION (INCLUDING DRAWINGS AND DIAGRAMS) CONTAINED IN THIS DOCUMENT IS THE PROPERTY OF BEHRINGER ADDRESSEES WHOM THE INFORMATION IS CONFIDED TO SHALL MAINTAIN IN CONFIDENCE AND SHALL NOT RELEASE IT TO ANY UNAUTHORIZED THIRD PARTIES (EXCEPT UNDER ATTORNEY CLIENT PRIVILEGE OR UNDER APPROPRIATE CONFIDENTIALITY AGREEMENTS). ANY UNAUTHORIZED DISCLOSURE, USE, APPLICATION OR ANY OTHER DEALINGS IN THE INFORMATION SHALL RESULT IN CIVIL AND/OR (WHERE APPLICABLE) CRIMINAL LIABILITIES AND PENAL TIES

DATE	2011-10-16	NAME	Rock.QIN
DRWN			
CHKD			
APPR			
 MUSIC GROUP			
FILE : MAIN-SECTION/SUB			POAL2 QX2222USB 02-MAIN MAIN SECTION
BEHRINGER			SHEET 8 of 9



ALL INFORMATION(INCLUDING DRAWINGS AND DIAGRAMS)CONTAINED IN THIS DOCUMENT IS THE PROPERTY OF BEHRINGER ADDRESSEES WHOM THE INFORMATION IS CONFIDED TO SHALL MAINTA IN THE INFIRMATION IN CONFIDENCE AND SHALL NOT RELEASE IT TO ANY UNAUTHORIZED THIRD PARTIES(EXCEPT UNDER ATTORNEY CLIENT PRIVILEGE OR UNDER APPROPRIATE CONFIDENTIALITY AGREEMENTS).ANY UNAUTHORIZED DISCLOSURE,USE,APPLICATION OR ANY OTHER DEALINGS IN THE INFORMATION SHALL RESULT IN CIVIL AND/OR(WHERE APPLICABLE)CRIMINAL LIABILITIES AND PENAL TIES

DRWN	2011-10-16	NAME	POAL2 QX2222USB
CHKD			O2-MAIN
APPR			DISPLAY AND FX CONTROL
			BEHRINGER
REV	CHANGES	DATE	INIT FILE : DISPLAY/FX-CTRL/CONNECTOR

SHEET 9 of 9

Hi Pcb Assemblies

	Quantity	Unit	S.Sku	M.Sku	Description	Reference Designators	Notes
1	1.0000	PC		A05-00000-09291	PCB ASSEMBLY;SMPSU22;REV:A;HAND INSERT;NO.926020		
2	1.0000	PC		A05-00000-09527	PCB ASSEMBLY;USBIO2CH;REV:B;HAND INSERT;NO:923040		
3	1.0000	PC	Q05-00000-84104	A05-00000-84104	PCB ASSEMBLY;D;HI;MICPHONE		
4	1.0000	PC	Q05-00000-85102	A05-00000-85102	PCB ASSEMBLY;B;HI;DSP-FX1;		
5	1.0000	PC		A05-A0L00-10388	PCB ASSEMBLY;SMPSU22 FOR P0A0L;REV:A;HAND INSERT;NO.926020		
6	1.0000	PC	Q05-A0L00-10392	A05-A0L00-10392	PCB ASSEMBLY;USBIO2CH;P0A0L;REV:B;HAND INSERT;NO:923040		
7	1.0000	PC	Q05-A0L03-09497	A05-A0L03-09497	PCB ASSEMBLY;P0A0L;PCB:03;REV:B;HAND INSERT;NO:918040		
8	1.0000	PC	Q05-AL201-00102	A05-AL201-00102	PCB ASSEMBLY;P0AL2;1;B;HI;INPUT		
9	1.0000	PC	Q05-AL202-00102	A05-AL202-00102	PCB ASSEMBLY;P0AL2;2;B;HI;MAIN		

Service Assemblies

	Quantity	Unit	S.Sku	M.Sku	Description	Reference Designators	Notes
1			Q06-A0L00-00000	A09-A0L00-00000	SPARE PART;P0A0L;COMMON;SMPSU22	[EXTRA SPARE]	
2				A09-A0H00-00000	SPARE PART;P0A0H;SMPSU22;REV A	[EXTRA SPARE]	
3				A06-A0L00-00000	PSU ASSEMBLY;P0A0L;COMMON;SMPSU22	[EXTRA SPARE]	

Cable

	Quantity	Unit	S.Sku	M.Sku	Description	Reference Designators	Notes
1	1.0000	PC	Q71-18004-06054	A71-18004-06054	CABLE;USB2.0;BLACK;UL2725;COLOR:BLACK;LENGTH:1800mm +/-40mm;DIA:4mm;CONNECTORS:USB/B TO USB/A;DOUBLE SHIELDING;MAGNET		
2	0.2660	M		A74-00000-00730	WIRE;RAW FLAT CABLE;UL2651;AWG:28;POLES:30;GRAY;PIN1:RED;PITCH:1mm27		
3	1.0000	PC		A74-00000-52787	CABLE;FLAT;AWG:28;UL2651;2.54 MM;30;COMMON;PIN1 RED;250 MM;FC-30P;FD-30P	[P0AL2:01: {1.0}(X43)]	
4	1.0000	PC		A81-00000-64706	WIRE HARNESS;AWG:26;UL2468;2 MM;9;80 MM;P1018-9P;A2006H-9P	[P0AL2:01: {1.0}(X40)]	
5	1.0000	PC		A81-04030-76842	WIRE HARNESS;LENGTH:40mm;ZEE;AWG:26;P:2mm;HOUSING-BOARD IN CONNECTOR;POLES:7;PIN1 RED/OTHERS BLK	[P0AL2:01: {1.0}(X41)]	
6	1.0000	PC		A81-04030-86840	WIRE HARNESS;LENGTH:40mm;AWG:26;P:2mm;ZEE;HOUSING-BOARD IN CONNECTOR;POLES:8;PIN1 RED/OTHERS BLK	[P0AL2:01: {1.0}(X42)]	
7	0.0000	PC	Q81-11031-26042	A81-11031-26042	WIRE HARNESS;LENGTH:110mm;AWG:26;P:2mm;HOUSING - BOARD IN CONNECTOR;POLES:12;PIN1 RED/OTHERS BLK		
8	2.0000	PC		A81-11031-26842	WIRE HARNESS;LENGTH:110mm;ZEE;AWG:26;UL2468;P:2mm;HOUSING - BOARD IN CONNECTOR;POLES:12;PIN1 RED/OTHERS BLK	[P0A0L:03: {2.0}(X55-X56)]	
9	1.0000	PC		A81-14030-66042	WIRE HARNESS;LENGTH:140mm;AWG:26;P:2mm;HOUSING - BOARD IN CONNECTOR;POLES:6;PIN1 RED/OTHERS BLK		
10	1.0000	PC		A81-14030-66842	WIRE HARNESS;LENGTH:140mm;ZEE;AWG:26;P:2mm;HOUSING - BOARD IN CONNECTOR;POLES:6;PIN1 RED/OTHERS BLK	[A0L00: {1.0}(X3)]	
11	0.0000	PC		A81-21030-26020	WIRE HARNESS;LENGTH:210mm;AWG:26;P:2mm;HOUSING-STRIPPED/TINNED 5mm;POLES:2;PIN1 RED/OTHERS BLK		
12	1.0000	PC		A81-21030-26820	WIRE HARNESS;LENGTH:210mm;ZEE;AWG:26;P:2mm;HOUSING-STRIPPED/TINNED 5mm;POLES:2;PIN1 RED/OTHERS BLK		
13	0.0000	PC		A81-22530-96042	WIRE HARNESS;LENGTH:225mm;AWG:26;P:2mm;HOUSING - BOARD IN CONNECTOR;POLES:9;PIN1 RED/OTHERS BLK		
14	1.0000	PC		A81-22530-96842	WIRE HARNESS;LENGTH:225mm;ZEE;AWG:26;UL2468;P:2mm;HOUSING - BOARD IN CONNECTOR;POLES:9;PIN1 RED/OTHERS BLK	[USBIO2CH:00: {1.0}(X4)]	
15	0.0000	PC		A81-33031-06042	WIRE HARNESS;LENGTH:330mm;AWG:26;P:2mm;HOUSING - BOARD IN CONNECTOR;POLES:10;PIN1 RED/OTHERS BLK		
16	1.0000	PC		A81-33031-06840	WIRE HARNESS;LENGTH:330mm;ZEE;AWG:26;P:2mm;HOUSING - BOARD IN CONNECTOR;POLES:10;PIN1 RED/OTHERS BLK	[P0A0L:03: {1.0}(X57)]	
17	1.0000	PC		A76-18050-06505	CABLE;AC-CORD;LENGTH:180cm;VERSION:SAA;PLUG:HE105 ISOLATED;SAA H05VV-F 3x0.75mm2;CONN.HP-3;PANYU		(SAA)
18	1.0000	PC	Q76-15032-55649	A76-15032-55649	CABLE;AC-CORD;CLASS II;W/POLYBAG;JAPAN;LENGTH:150cm;POLES:3;APPROVAL:PSE;JS1553 + VCTF 3x0.75mm2 + V1528		(HM, SH)
19	1.0000	PC	Q76-15042-05624	A76-15042-05624	CABLE;AC-CORD;W/POLYBAG;LENGTH:150cm;H05VV-F3G0.75MM2;VERSION;UK;SPEC.NO:05624		(UK)
20	1.0000	PC	Q76-18050-47490	A76-18050-47490	CABLE;AC-CORD;LENGTH:180cm;VERSION:SAA;PLUG:HE105 ISOLATED;SAA H05VV-F 3x0.75mm2;CONN.HP-3;SPEC.NO:47490		(SAA)
21	1.0000	PC	Q76-15222-06417	A76-15222-06417	CABLE;AC-CORD;W/POLYBAG;LENGTH:152cm;AWG:18;VERSION;UL;SPEC.NO:06417		(UL)
22	1.0000	PC	Q76-00000-05305	A76-00000-05305	CABLE;AC-CORD;3;BR;1500 MM;Plug + Connector:375+730;H05VV-F 3G0.75		(BR)
23	1.0000	PC	Q76-15212-03119	A76-15212-03119	CABLE;AC-CORD;W/POLYBAG;LENGTH:152cm;H05VV-F 3G 0.75MM2;VERSION;EU;SPEC.NO:03119		(EU)
24	1.0000	PC	Q76-00000-13573	A76-00000-13573	CABLE;AC-CORD;3;AR;1500 MM;Plug + Connector:321+730;H05VV-F 3G0.75		(AR)

Capacitor

	Quantity	Unit	S.Sku	M.Sku	Description	Reference Designators	Notes
1	16.0000	PC			CAP E;220uF;4V;PITCH:2mm5;5mm x 11mm;VERTICAL 12.7-15-9mm	[P0AL2:02: {16.0}]{C53-C56,C59-C62,C80-C86,C89}]	*NOT available in DP
2	30.0000	PC			CAP E;100uF;10V;PITCH:2mm5;5mm x 11mm;VERTICAL 12.7-15-9mm	[P0AL2:02: {30.0}]{C45-C52,C63-C65,C68,C70,C72-C79,C87-C88,C91,C97,C106,C133,C152,C204,C216}]	*NOT available in DP
3	1.0000	PC			CAP E;470uF;10V;PITCH:2mm5;6mm3 x 11mm;VERTICAL 12.7-15-9mm	[P0AL2:01: {1.0}]{C4}]	*NOT available in DP
4	7.0000	PC			CAP E;10uF;16V;PITCH:2mm5;4mm x 7mm;VERTICAL 12.7-15-9mm	[USBIO2CH:00: {4.0}]{C23-C25,C28}]	*NOT available in DP
5	8.0000	PC			CAP E;100uF;16V;PITCH:2mm5;5mm x 11mm;VERTICAL 12.7-15-9mm	[P0AL2:01: {8.0}]{C1-C2,C5,C8-C10,C27-C28}]	*NOT available in DP
6	3.0000	PC			CAP E;10uF;25V;PITCH:2mm5;4mm x 7mm;VERTICAL 12.7-15-9mm	[B:00: {3.0}]{C3-C4,C7}]	*NOT available in DP
7	1.0000	PC			CAP E;10uF;25V;PITCH:2mm5;5mm x 11mm;VERTICAL 12.7-15-9mm	[SMPSU22:00: {1.0}]{C2}]	*NOT available in DP
8	4.0000	PC			CAP E;47uF;25V;PITCH:2mm5;5mm x 7mm;VERTICAL 12.7-15-9mm	[B:00: {4.0}]{C1-C2,C5-C6}]	*NOT available in DP
9	94.0000	PC			CAP E;47uF;25V;PITCH:2mm5;5mm x 11mm;VERTICAL 12.7-15-9mm	[P0794:00: {1.0}]{C10}]	*NOT available in DP
10	2.0000	PC			CAP E;100uF;25V;PITCH:2mm5;6mm x 12mm;VERTICAL 12.7-15-9mm	[P0794:00: {2.0}]{C4-C5}]	*NOT available in DP
11	1.0000	PC			CAP E;1uF;50V;PITCH:2mm5;5mm x 11mm;VERTICAL 12.7-15-9mm	[P0794:00: {1.0}]{C13}]	*NOT available in DP
12	13.0000	PC			CAP E;2uF2;50V;PITCH:2mm5;5mm x 11mm;VERTICAL 12.7-15-9mm	[P0AL2:02: {13.0}]{C27-C38,C58}]	*NOT available in DP
13	27.0000	PC			CAP E;10uF;50V;PITCH:2mm5;5mm x 11mm;VERTICAL 12.7-15-9mm	[D:00: {6.0}]{C14-C19}]	*NOT available in DP
14	2.0000	PC			CAP E;22uF;63V;20%;PITCH:2mm5;6mm3 x 12mm;VERTICAL 12.7-15-9mm	[P0AL2:01: {1.0}]{C70}]	*NOT available in DP
15	2.0000	PC			CAP E;47uF;63V;PITCH:2mm5;6mm x 11mm;VERTICAL 12.7-15-9mm	[P0794:00: {2.0}]{C18-C19}]	*NOT available in DP
16	8.0000	PC			CAP E;1 mF;6V3;PITCH:5 MM;SIZE:8X12MM5;Al HIGH:15MM;TAPE:12.7-15-9MM;85C	[P0AL2:01: {8.0}]{C3,C6-C7,C15,C19,C23,C36,C58}]	*NOT available in DP
17	1.0000	PC			CAP E;330uF;100V;PITCH:5mm;PRE CUT:3mm2 -0/+0mm2;13 x 25mm	[SMPSU22:00: {1.0}]{C20}]	*NOT available in DP
18	1.0000	PC			CAP CER;10 uF;6.3 V;X5R;10 %;SMD805;YAGEO (CC85KRX5R6BB106)	[P0AL2:02: {1.0}]{C451}]	*NOT available in DP
19	1.0000	PC			CAP CER;100pF;25V;COG;10%;SMT805	[SMPSU22:00: {1.0}]{C32}]	*NOT available in DP
20	9.0000	PC			CAP CER;10pF;50V;10%;SMT603	[D:00: {2.0}]{C5-C6}]	*NOT available in DP
21	78.0000	PC			CAP CER;20pF;50V;20%;SMT603	[P0AL2:01: {30.0}]{C80,C83,C88-C89,C91-C92,C94,C104,C117-C118,C121-C122,C131,C133,C140-C144,C158,C176,C178-C179,C181-C182,C184,C193,C198,C206,C223}]	*NOT available in DP
22	2.0000	PC			CAP CER;22pF;50V;10%;SMT603	[B:00: {2.0}]{C8,C12}]	*NOT available in DP
23	2.0000	PC			CAP CER;33pF;50V;5%;COG(NPO);SMT603	[USBIO2CH:00: {2.0}]{C15-C16}]	*NOT available in DP
24	21.0000	PC			CAP CER;47pF;50V;5%;COG(NPO);SMT603	[P0AL2:02: {21.0}]{C227-C230,C238,C241,C244,C246,C257-C258,C262,C286,C301,C332-C339}]	*NOT available in DP
25	8.0000	PC			CAP CER;68pF;50V;20%;SMT603	[P0AL2:02: {8.0}]{C399-C406}]	*NOT available in DP
26	92.0000	PC			CAP CER;100pF;50V;20%;SMT603	[USBIO2CH:00: {6.0}]{C17-C22}]	*NOT available in DP
27	4.0000	PC			CAP CER;220pF;50V;10%;SMT603	[P0AL2:01: {4.0}]{C72,C82,C123,C138}]	*NOT available in DP
28	16.0000	PC			CAP CER;330pF;50V;20%;SMT603	[D:00: {4.0}]{C8-C11}]	*NOT available in DP
29	24.0000	PC			CAP CER;680pF;50V;10%;SMT603	[P0AL2:01: {24.0}]{C186-C191,C196,C200,C207-C211,C217,C221,C225-C231,C236-C237}]	*NOT available in DP
30	4.0000	PC			CAP CER;1nF;50V;10%;SMT603	[D:00: {2.0}]{C3-C4}]	*NOT available in DP
31	1.0000	PC			CAP CER;2nF2;50V;10%;SMT603	[B:00: {1.0}]{C11}]	*NOT available in DP
32	2.0000	PC			CAP CER;6nF8;50V;10%;SMT603	[P0AL2:01: {2.0}]{C219,C224}]	*NOT available in DP
33	6.0000	PC			CAP CER;10nF;50V;10%;SMT603	[D:00: {1.0}]{C7}]	*NOT available in DP
34	2.0000	PC			CAP CER;15nF;50V;10%;SMT603	[P0AL2:01: {2.0}]{C218,C220}]	*NOT available in DP
35	158.0000	PC			CAP CER;100nF;50V;10%;SMT603	[D:00: {1.0}]{C2}]	*NOT available in DP
36	2.0000	PC			CAP CER;10nF;50V;10%;SMT805	[D:00: {1.0}]{C1}]	*NOT available in DP
37	23.0000	PC			CAP CER;100nF;50V;+80/-20%;SMT805	[SMPSU22:00: {9.0}]{C23-C31}]	*NOT available in DP

	Quantity	Unit	S.Sku	M.Sku	Description	Reference Designators	Notes
38	24.0000	PC			CAP CER;100nF;50V;X7R;10%;SMT805	[P0AL2:01:{24.0}(C73-C74,C76-C79,C84-C87,C95-C100,C103,C116,C124-C128,C136)]	*NOT available in DP
39	1.0000	PC			CAP CER;470nF;50V;10%;SMT805	[8:00:{1.0}(C19)]	*NOT available in DP
40	2.0000	PC			CAP CER;1uF;50V;X7R;10%;SMD805	[P0AL2:01:{2.0}(C168,C185)]	*NOT available in DP
41	16.0000	PC			CAP MYL;39nF;50V;10%;PITCH:5mm;DIPPED;VERTICAL 12.7-15-9mm	[P0AL2:02:{16.0}(C107-C122)]	*NOT available in DP
42	16.0000	PC			CAP MYL;12nF;100V;5%;PITCH:5mm;DIPPED;VERTICAL 12.7-15-9mm	[P0AL2:02:{16.0}(C123-C126,C128-C131,C143-C146,C148-C151)]	*NOT available in DP
43	8.0000	PC			CAP MYL;22nF;50V;10%;PITCH:5mm;DIPPED;VERTICAL 12.7-15-9mm	[P0AL2:02:{8.0}(C135-C142)]	*NOT available in DP
44	16.0000	PC			CAP MYL;47nF;50V;10%;PITCH:5mm;DIPPED;VERTICAL 12.7-15-9mm	[P0AL2:02:{16.0}(C92-C95,C101-C104,C164-C171)]	*NOT available in DP
45	16.0000	PC			CAP MYL;3.3 nF;100 V;10 %;PITCH:5 mm;PCB AUTO INSERT;SIZE:6mm x 4mm;VERTICAL 12.7-15-9mm	[P0AL2:02:{16.0}(C153-C160,C172-C175,C184-C187)]	*NOT available in DP
46	8.0000	PC			CAP MYL;1 nF;100 V;5 %;PITCH:5 mm;VERTICAL 12.7-15-9mm	[P0AL2:02:{8.0}(C196-C203)]	*NOT available in DP
47	8.0000	PC			CAP MYL;2.2 nF;100 V;5 %;PITCH:5 mm;VERTICAL 12.7-15-9mm	[P0AL2:02:{8.0}(C96,C176-C182)]	*NOT available in DP
48	3.0000	PC			CAP Y2;4nF;275V;PITCH:7mm5;Y2	[SMPSU22:00:{3.0}(C3,C21-C22)]	*NOT available in DP
49	1.0000	PC			CAP E;150uF;400V;PITCH:10mm;25mmx30mm;SNAP-IN;PRECUT:3mm2 -0/+0mm2	[SMPSU22:00:{1.0}(C7)]	*NOT available in DP
50	2.0000	PC		B12-32100-04351	CAP X2;100nF;275V;PITCH:15mm;CASE:8mm5 x 18mm;CASE:8mm5 x 18mm;PRECUT:3.1mm +/-0mm5	[SMPSU22:00:{2.0}(C8,C14)]	
51	1.0000	PC			CAP E;470uF;16V;PITCH:3mm5;8mm x 14mm;PRECUT:3mm2 -0/+0mm2;LOW ESR	[SMPSU22:00:{1.0}(C9)]	*NOT available in DP
52	2.0000	PC			CAP E;1mF;25V;PITCH:5mm;10mm x 20mm;PRECUT:3mm2 -0/+0mm2;LOW ESR	[SMPSU22:00:{2.0}(C12,C16)]	*NOT available in DP
53	1.0000	PC			CAP CER;100pF;1KV;20%;PITCH:5mm;DISC;VERTICAL 12.7-15-9mm	[P0794:00:{1.0}(C17)]	*NOT available in DP
54	2.0000	PC			CAP CER;1nF;1KV;20%;PITCH:5mm;DISC;VERTICAL 12.7-15-9mm	[P0794:00:{2.0}(C11,C15)]	*NOT available in DP
55	1.0000	PC			CAP CER;10nF;1KV;20%;PITCH:10mm;DISC;PRECUT:3mm1 +/-0mm5	[SMPSU22:00:{1.0}(C1)]	*NOT available in DP
56	1.0000	PC			CAP E;470uF;25V;PITCH:3mm5;8mm x 14mm;PRECUT:3mm2 -0/+0mm2;105C	[SMPSU22:00:{1.0}(C6)]	*NOT available in DP
57	16.0000	PC			CAP E;47uF;50V;PITCH:2mm5;6mm x 11mm;LOW LEAKAGE;VERTICAL 12.7-15-9mm	[P0AL2:01:{16.0}(C51-C57,C59-C67)]	*NOT available in DP

Circuit Protector

	Quantity	Unit	S.Sku	M.Sku	Description	Reference Designators	Notes
1	1.0000	PC	R22-01513-16001	B22-01513-16001	FUSE;1A6;250V;SLOW BLOW;H-TYPE;5mm x 20mm		

Coil

	Quantity	Unit	S.Sku	M.Sku	Description	Reference Designators	Notes
1	1.0000	PC		B34-00000-43407	COIL;LINE FILTER;25 mH;20 MM;UT20 L:25mH MIN@1KHZ,0.25V	[SMPSU22:00:{1.0}(L1)]	
2	1.0000	PC		B37-21200-00019	COIL;CHOKE SMD;SMD 3.2x1.6x1.15;COMMON-MODE;(MURATA DLP31SN121ML2L)	[USBIO2CH:00:{1.0}(L1)]	
3	6.0000	PC	R39-00000-03394	B39-00000-03394	COIL;SMD;BEAD;SMD0805;(BLM21BD751SN1D)	[8:00:{4.0}(L1-L4)]	
4	4.0000	PC	R39-21202-00018	B39-21202-00018	COIL;SMD BEAD;SMD1608;(MURATA BLM18BB121)	[USBIO2CH:00:{4.0}(L2-L5)]	
5	2.0000	PC	R39-21202-00651	B39-21202-00651	COIL;SMD BEAD;SMD603;(MURATA BLM18AG601SN1)	[P0AL2:01:{2.0}(L1-L2)]	

Connector

	Quantity	Unit	S.Sku	M.Sku	Description	Reference Designators	Notes
1	1.0000	PC	R83-00000-35510	B83-00000-35510	CONNECTOR;9;NICKEL;SOCKET;USB3.0;VERTICAL;H:24mm	[P0AL2:01: {1.0}(X6)]	
2	1.0000	PC	R83-20184-37925	B83-20184-37925	CONNECTOR;FEMALE;ANGLED;USB;SINGLE;TYPE-B	[USBIO2CH:00: {1.0}(X3)]	
3	66.0000	PC	R84-25016-06014	B84-25016-06014	CRIMP TERMINAL;PITCH:2mm0;AWG24-30;A2008TOP-2		
4	1.0000	PC		B84-42050-00155	CRIMP CONNECTOR;LUG;INNER DIA:4mm3;AWG 14-18;WIRE MOUNT;STRAIGHT		
5	2.0000	PC	R95-01320-03303	B95-01320-03303	CONNECTOR;XLR;SOCKET;MALE;STRAIGHT;POLES:3	[P0A0L:03: {2.0}(X15-X16)]	
6	8.0000	PC	R95-14340-00164	B95-14340-00164	CONNECTOR;XLR;SOCKET;FEMALE;STRAIGHT;POLES:3;NO:06;(CHUN SHENG CT3-02HF)	[P0AL2:01: {8.0}(X26-X33)]	

Diode

	Quantity	Unit	S.Sku	M.Sku	Description	Reference Designators	Notes
1	1.0000	PC			DIODE;1N4007;DO41	[P0AL2:01: {1.0}(D1)]	*NOT available in DP
2	1.0000	PC			DIODE;HER104;DO41;RADIAL	[SMPSU22:00: {1.0}(D7)]	*NOT available in DP
3	1.0000	PC			DIODE;HER107;DO41;RADIAL	[SMPSU22:00: {1.0}(D3)]	*NOT available in DP
4	1.0000	PC			DIODE;HER207;DO15;RADIAL	[SMPSU22:00: {1.0}(D9)]	*NOT available in DP
5	4.0000	PC			DIODE;HER303;DO27;RADIAL	[SMPSU22:00: {4.0}(D4-D6,D8)]	*NOT available in DP
6	16.0000	PC			DIODE;BAV103;SOD80;TEMIC	[D:00: {4.0}(D2-D5)]	*NOT available in DP
7	2.0000	PC			DIODE;BAV99;SOT23;SMD	[P0AL2:02: {2.0}(D25-D26)]	*NOT available in DP
8	38.0000	PC			DIODE;LL4148;LL34;TEMIC OR FC	[8:00: {4.0}(D1-D4)]	*NOT available in DP
9	1.0000	PC			DIODE;P6KE;200A;DO15	[P0794:00: {1.0}(D2)]	*NOT available in DP
10	1.0000	PC			DIODE;ZPD47V0;DO35;TEMIC OR FC	[SMPSU22:00: {1.0}(D10)]	*NOT available in DP
11	1.0000	PC			DIODE;ZMM05V1;SMD1206	[D:00: {1.0}(D1)]	*NOT available in DP
12	1.0000	PC	X80-24270-20600	H80-24270-20600	RECTIFIER;BRIDGE;KBP206G	[SMPSU22:00: {1.0}(D1)]	

Display

	Quantity	Unit	S.Sku	M.Sku	Description	Reference Designators	Notes
1	1.0000	PC	S25-00000-43198	C25-00000-43198	DISPLAY;LCD Moudle;AMBER;V1000Pro;BTCM11093DW01LA01 RA	[P0AL2:02: {1.0}(LD64)]	

Hardware

	Quantity	Unit	S.Sku	M.Sku	Description	Reference Designators	Notes
1	0.5500	G			THERM-GREASE;COLOR:WHT;SPEC.NO:09286		*NOT available in DP
2	1.1660	G			SCREWLOCK;SPEC.NO:01090		*NOT available in DP
3	1.0000	PC			HEX. NUT;INNER DIA;M4mm;SURFACE:ZINC		*NOT available in DP
4	42.0000	PC			HEX. NUT;FOR JACK;M 3/8in;HEXWRENCH:11mm;THICKNESS:2mm;SURFACE:NICKEL/SLV		*NOT available in DP
5	12.0000	PC			SCREW;M;4 MM;6 MM;BINDING;ZINC;BLACK;CROSS REC.		*NOT available in DP
6	6.0000	PC			SCREW;M3mm*5mm;HEAD:PAN;INSERT:PHILIPS REC.;SURFACE:SILVER ZINC		*NOT available in DP
7	8.0000	PC			SCREW;M3mm*5mm;HEAD:PAN;INSERT:PHILIPS REC.;SURFACE:BLACK/ZINC		*NOT available in DP
8	28.0000	PC			SCREW;M3mm*6mm;HEAD:PAN;INSERT:PHILLIPS REC.;SURFACE:BLACK/ZINC		*NOT available in DP
9	29.0000	PC			SCREW;M3mm*6mm;HEAD:TRUSS DIA 5mm2;INSERT:PHILIPS REC.;SURFACE:BLACK/ZINC		*NOT available in DP
10	21.0000	PC			SCREW;BT3mm*8mm;HEAD:PAN;INSERT:PHILLIPS REC.;SURFACE:BLACK/ZINC		*NOT available in DP
11	3.0000	PC			SCREW;M3mm*8mm;HEAD:PAN;INSERT:PHILIPS REC.;SURFACE:ZINC		*NOT available in DP
12	1.0000	PC			SCREW;M4mm*10mm;HEAD:BINDING;INSERT:PHILIPS REC.;SURFACE:SILVER/ZINC		*NOT available in DP
13	2.0000	PC		F89-07018-00111	INSULATION SHEET;SI-RUBBER;TO220 W/HOLE;11mm*18mm		
14	1.0000	PC	V89-07022-00121	F89-07022-00121	INSULATION SHEET;SI-RUBBER;TO220;COVER		
15	1.0000	PC			METAL;SHIELD;UB-MIXER TRANSFORMER;DST.NO:002;DPT.NO:06841;(UB-MIXER-TRAFO_SHIELDING-REVB.DWG)		*NOT available in DP
16	1.0000	PC			SILICA GEL;MASS;20g;SPEC.NO:20QB-BB2001-4		*NOT available in DP
17	2.0000	PC			STUD;THREAD-DIA;3mm;LENGTH:11mm;EXT/INT		*NOT available in DP
18	1.0000	PC			STUD;THREAD-DIA;3mm;LENGTH:11mm;INT/INT		*NOT available in DP
19	22.0000	PC			STUD;THREAD-DIA;3mm;LENGTH:13mm8;INT/INT		*NOT available in DP
20	4.0000	PC			STUD;THREAD-DIA;3mm;LENGTH:24mm3;INT/INT		*NOT available in DP
21	0.0300	M			SHRINKING TUBE;INNER DIA;3mm;SPEC.NO:01097		*NOT available in DP
22	0.0850	M			SHRINKING TUBE;INNER DIA;4mm;SPEC.NO:01098		*NOT available in DP
23	0.0600	M			SHRINKING TUBE;INNER DIA;6mm;SPEC.NO:01099		*NOT available in DP
24	1.0000	PC			WASHER;PLAIN;INNER DIA:3mm;OUTER DIA:6mm;THICKNESS;0mm5		*NOT available in DP
25	42.0000	PC			WASHER;PLAIN;INNER DIA:9mm6;OUTER DIA:13mm;THICKNESS;0mm5;PLATING:NICKEL		*NOT available in DP
26	3.0000	PC			WASHER;EXTERNAL TEETH;INNER DIA:3mm;OUTER DIA:6mm;THICKNESS:1mm		*NOT available in DP
27	2.0000	PC			WASHER;EXTERNAL TEETH;INNER DIA:4mm;OUTER DIA:7mm;THICKNESS:1mm7		*NOT available in DP
28	1.0000	PC		F97-00600-11827	FILM;PROTECTIVE;DST.NO:006;DPT.NO:11827;(UB-SPSU-FOIL-REVF.DWG)		
29	2.0000	PC			BUSHING;MINIATURE;NYLON;DWG.NO:27886;(R20-5C-PLA_NYLBUSHM3x1_4.DWG)		*NOT available in DP
30	1.0000	PC			SCREW;M3mm*4mm;PITCH:0mm5;HEAD:FLAT;DIA:4mm5;INSERT:PHILIPS REC.;SURFACE:BLACK/ZINC;DWG.NO:29319		*NOT available in DP

Ic

	Quantity	Unit	S.Sku	M.Sku	Description	Reference Designators	Notes
1	1.0000	PC	S60-54422-00528	C60-22422-00528	IC;AD/DA;V4220M;SSOP	[B:00: {1.0}{IC2}]	
2	62.0000	PC		C73-00000-29050	IC;OPAMP;SMD;SOP;8;BA4580RF	[D:00: {1.0}{IC1}]	
3	8.0000	PC	S73-58007-40514	C73-31007-40514	IC;OPAMP OPAMP;TL074;SOP;	[P0AL2:02: {8.0}{IC50-IC57}]	
4	2.0000	PC		C73-59458-00408	IC;OPAMP OPAMP;NJM4580L;SIP	[P0AL2:01: {2.0}{IC1-IC2}]	
5	0.0000	PC	S73-59458-00508	C73-59458-00508	IC;OPAMP OPAMP;NJM4580;SOP		
6	1.0000	PC	S74-41024-50707	C74-41024-50707	IC;POWER-CONVERSION;TOP245Y;TO-220-7C	[SMPSU22:00: {1.0}{IC2}]	
7	1.0000	PC	S74-61043-10803	C74-61043-10803	IC;POWER-CONVERSION;VOLT.REFERENCE;TO-92;TL431ACZ	[SMPSU22:00: {1.0}{IC3}]	
8	1.0000	PC	S77-00128-03001	C77-00128-03001	IC;VOLT.REGULATOR;ADJUSTABLE;SOT223;NCP1117STAT3;SMD	[USBIO2CH:00: {1.0}{IC2}]	
9	1.0000	PC	S77-05107-03110	C77-05107-03110	IC;VOLT.REGULATOR;7805F;FULLPACK;TO220	[: {1.0}{IC1}]	
10	7.0000	PC	S78-55133-90514	C78-55133-90514	IC;COMPARATOR;(SGS ONLY);LM339;SOP;SMD	[P0AL2:01: {1.0}{IC16}]	
11	1.0000	PC	T12-00100-02216	D12-00100-02217	IC;DIG COMM.;EUROTEC;V1000;SOIC	[B:00: {1.0}{IC1}]	
12	1.0000	PC		D24-00000-43549	IC;MICROCONTROLLER;LQFP;48;STM8S207C8T6;SMD	[B:00: {1.0}{IC3}]	
13	1.0000	PC		D28-00001-21435	IC;DIGITAL AUDIO CODEC;SMD;SSOP;PINS:28;V2902	[USBIO2CH:00: {1.0}{IC1}]	

Led

	Quantity	Unit	S.Sku	M.Sku	Description	Reference Designators	Notes
1	3.0000	PC		E10-00000-28401	LED HIB;3mm ROUND;AMBER;NORMAL BRIGHT;W/RING;LED;v:Typ.60mcd	[P0AL2:02: {3.0}{LD51,LD53-LD54}]	
2	18.0000	PC	U10-53565-00588	E10-53565-00588	LED HIB;3mm ROUND;GREEN	[P0AL2:01: {2.0}{LD1-LD2}]	
3	20.0000	PC	U10-59585-00592	E10-59585-00592	LED HIB;3mm ROUND;YELLOW	[P0AL2:02: {20.0}{LD13-LD24,LD41-LD48}]	
4	23.0000	PC	U12-57630-00590	E12-57630-00590	LED;3mm ROUND;RD	[P0AL2:02: {23.0}{LD1-LD12,LD49-LD50,LD52,LD56-LD63}]	
5	1.0000	PC		E12-67630-00595	LED;5mm ROUND;RD	[P0AL2:02: {1.0}{LD31}]	

Metal Part

	Quantity	Unit	S.Sku	M.Sku	Description	Reference Designators	Notes
1	1.0000	PC		A62-00000-50997	METAL;P0AKZ;SECC 0.8mm;BOTTOM;BENDING + PUNCHING;SPRAYING;DARK GRAY;BOTTOMN_CABINET		
2	1.0000	PC		A62-02000-23975	METAL;POWER BRACKET;UB2222FX-PRO;DWG.NO:23975;(R20-UB2222FX-POWER_BRACKET-REVE.DWG)		
3	1.0000	PC		A62-02000-27452	METAL;POWER BRACKET COVER;UBSPSU;DWG.NO:27452;(R20-UB-POWER_BRACKET_COVER-REVB.DWG)		
4	2.0000	PC	Q65-00000-24959	A65-00000-24959	METAL;P0274;SPCC 0.8mm;MOUNT;BENDING + PUNCHING;PLATING TIN;MOUNTING HELP;J00053P;REV:B	[USBIO2CH:00: {2.0}{X1-X2}]	
5	1.0000	PC	Q65-23000-24593	A65-23000-24593	METAL CLIP;DSP2000;DWG.NO:24593;(R14-DSP2000-CLIP-REVC.DWG)		
6	1.0000	PC		J02-00000-59032	METAL;P0AL2;SECC 0.8mm;TOP;BENDING + PUNCHING;GLOSS SEMI;SPRAY METALLIC;DARK GRAY;TOP_CABINET;A001		

Plastic Part

	Quantity	Unit	S.Sku	M.Sku	Description	Reference Designators	Notes
1	4.0000	PC	W51-01200-01762	G51-01200-01762	RUBBER FOOT;STANDARD;SELF-ADHESIVE;COLOR:BLK;DWG.NO:01762		
2	16.0000	PC	W52-00000-70482	G52-00000-70482	PLASTIC;KNOB;P0000;ABS;INJECTION;MATT;SPRAYING;SILVER MATT;FADER KNOB-W4		
3	1.0000	PC	W52-00200-10210	G52-00200-10210	ENCODER KNOB;BLACK;DST.NO:002;DPT.NO:10210;(PMX-ENCODERKNOB-REVB.DWG)		
4	12.0000	PC	W52-00200-11002	G52-00200-11002	KNOB;POT;(10);430C;CAP:BLACK;DST.NO:002;DPT.NO:11002;(PMX-POTKNOB(10)IN]-REVB.DWG)		
5	1.0000	PC	W52-00200-00258	G52-00200-11003	KNOB;POT;(10);430C;CAP:WHITE;DST.NO:002;DPT.NO:11003;(PMX-POTKNOB(10)IN]-REVB.DWG)		
6	8.0000	PC	W52-00200-12256	G52-00200-12256	KNOB;POTENTIOMETER;(10);430C;CAP:288C;DST.NO:002;DPT.NO:12256;(PMX-POTKNOB(10)IN]-REVB.DWG)		
7	30.0000	PC	W52-00200-12257	G52-00200-12257	KNOB;POTENTIOMETER;(10);430C;CAP:194C;DST.NO:002;DPT.NO:12257;(PMX-POTKNOB(10)IN]-REVB.DWG)		
8	40.0000	PC	W52-00200-12258	G52-00200-12258	KNOB;POTENTIOMETER;(10);430C;CAP:289C;DST.NO:002;DPT.NO:12258;(PMX-POTKNOB(10)IN]-REVB.DWG)		
9	14.0000	PC	W52-00200-12259	G52-00200-12259	KNOB;POTENTIOMETER;(10);430C;CAP:151U;DST.NO:002;DPT.NO:12259;(PMX-POTKNOB(10)IN]-REVB.DWG)		
10	12.0000	PC	W52-00200-12269	G52-00200-12269	PLASTIC;SWITCH KNOB;I00341P;PANTONE 430C;DST.NO:002;DPT.NO:12269;(I00341P-SWITCH_KNOB-REVB.DWG)		
11	8.0000	PC		G52-00200-12340	PLASTIC;SWITCH KNOB;I00341P;BLACK;DST.NO:002;DPT.NO:12340;(I00341P-SWITCH_KNOB-REVB.DWG)		
12	8.0000	PC	W52-00200-15614	G52-00200-15614	KNOB;POTENTIOMETER;(10);430C;CAP:3025C;DST.NO:002;DPT.NO:15614;(PMX-POTKNOB(10)IN]-REVB.DWG)		
13	8.0000	PC	W52-00300-02453	G52-00300-02453	KNOB;PMX-SERIES;GAIN POTENTIOMETER;DST.NO:003;DPT.NO:02453;(PMX-GAINKNOB-REVC.DWG)		
14	47.0000	PC	W52-00500-09353	G52-00500-09353	KNOB;SWITCH;UB-S;DST.NO:005;DPT.NO:09353;(UB-S_SWKNOB-REVE.DWG)		
15	6.0000	PC	W52-00500-11000	G52-00500-11000	KNOB;SWITCH;UB-S;430C;DST.NO:005;DPT.NO:11000;(UB-S_SWKNOB-REVE.DWG)		
16	2.0000	PC		G52-00500-12260	KNOB;SWITCH;UB-S;194C;DST.NO:005;DPT.NO:12260;(R20-UB-S_SWKNOB-REVE.DWG)		
17	12.0000	PC	W52-80508-23627	G52-80508-23627	KNOB;SWITCH;UB-L;7mm4;BLACK;DWG.NO:23627(R20-UB-L_SWKNOB-REVB.DWG)		
18	1.0000	PC	W53-00000-50674	G53-00000-50674	PLASTIC;P0AL2;ABS;LEFT;INJECTION;GLOSSY;PAINTING NORMAL;SILVER METALLIC;SILVER/WHITE;SIDE PANNEL		
19	1.0000	PC	W53-00000-50678	G53-00000-50678	PLASTIC;P0AL2;ABS;RIGHT;INJECTION;GLOSSY;PAINTING NORMAL;SILVER METALLIC;SILVER/WHITE;SIDE PANNEL		
20	1.0000	PC		G53-00000-63999	PLASTIC;P0000;PP (POLYPROPYLENE);HANDLE;BLACK		
21	1.0000	PC		G53-00000-64000	PLASTIC;P0000;PP (POLYPROPYLENE);BASE;BLACK;HANDLE BASE		
22	62.0000	PC		G53-00200-11127	PLASTIC;SPACER;MOULDING;BLACK;LENGTH:11MM;DST.NO:002;DPT.NO:11127;(R20-ACCESSORY-LEDSPACER-REVB.DWG)		
23	12.0000	PC	W53-14000-01976	G53-14000-01976	PLASTIC;SPACER;ABS;BLACK;LENGTH:14MM2;(SWITCHSPACER14_2MM.DWG)		
24	1.0000	PC		G58-00100-08381	PLASTIC;SHEET;P0554;PET;BLACK;DST.NO:001;DPT.NO:8381;(XENYX 124FX-PET-SHEET-REVA.DWG)		
25	1.0000	PC		G58-00200-11129	PLASTIC;LED SPACER;MOULDING;BLACK;NO:8LENGTH:9MM;DST.NO:002;DPT.NO:11129;(LED-SPACER9MM.REVB.DWG)		
26	2.0000	PC		G58-00300-11128	PLASTIC;SPACER;P0062;MOULDING;BLACK;LED SPACER2;DI100 DSP110;DST.NO:003;DPT.NO:11128;(R14-DI100-LEDSPACER2-REVC.DWG)		

	Quantity	Unit	S.Sku	M.Sku	Description	Reference Designators	Notes
27	1.0000	PC		I64-00000-73733	PLASTIC;WINDOW;P0000;PMMA;INJECTION;CLEAR;LCD COMMON QX SERIES;A001		

Plug Socket

	Quantity	Unit	S.Sku	M.Sku	Description	Reference Designators	Notes
1	1.0000	PC	W61-65230-03295	G61-65230-03295	BOX HEADER;POLES:30;2 ROW;STRAIGHT;PITCH:2mm54;SCM-30S	[P0AL2:02: {1.0}(X8)]	
2	1.0000	PC		G61-75230-05322	CABLE HEADER;POLES:30;2 ROW;IDE;STRAIGHT;PITCH:2mm54;FC-30P		
3	1.0000	PC		G61-85230-08163	TRANSITION PLUG;FLAT CABLE;POLES:30;ROWS:2;STRAIGHT;PITCH:2mm54;BLACK;FD-30P		
4	41.0000	PC	W64-01211-03174	G64-01211-03174	PLUG;JACK STEREO 6mm3;STRAIGHT SOLDER;W/O MET.RNG.;MET.BUSH.;NO NUT/WASHER;(JY-6351G-02-250)	[P0A0L:03: {14.0}(X1-X14)]	
5	1.0000	PC	W64-16212-00005	G64-16212-00005	PLUG;PCB;PLUG;JACK STEREO 6mm3;STRAIGHTPCB LUGS;NO NUT/WASHER;METAL BUSHING;(CHUNSHENG PJ-632HA)	[P0AL2:01: {1.0}(X1)]	
6	0.0000	PC	W67-20103-01824	G67-20103-01824	PLUG;AC SOCK;W FUSE;SNAP-IN;COLOR:BLK;POLES:03;(RONG-FENG RF-2004)		
7	1.0000	PC		G67-40103-01810	SOCKET;AC;SCREW MOUNT;FUSED;UL94V-0;10A/250VAC;FOR AMP CONN;COLOR:BLK;POLES:03;(JACKSON JR-101-1FS)		
8	1.0000	PC	W68-04004-03284	G68-04004-03284	PLUG;RCA;SOCKET;RCAJACK4P/S;FEMALE;POLES:04;STRAIGHT	[P0AL2:01: {1.0}(X25)]	
9	1.0000	PC		G71-00000-03961	WAFER;V1000-14B,0.35um;LOGIC-3.3V(1P4M)		
10	1.0000	PC		G71-00000-46695	PIN HEAD;PIN HEADER;10;ROWS:2;STRAIGHT;2.54 MM;MALE;2*5;H=4.5mm;PIN LENGTH 3.2mm	[P0AL2:02: {1.0}(X4)]	
11	2.0000	PC		G71-00000-46812	PIN HEAD;PIN HEADER;2;ROWS:1;STRAIGHT;2.54 MM;MALE;H=4.5mm	[P0AL2:02: {2.0}(X2,X6)]	
12	1.0000	PC		G71-15220-48229	PIN HEADER;POLES:20;STRAIGHT;PITCH:2.54 mm;2 ROWS;1002-20-S	[D:00: {1.0}(X1)]	
13	1.0000	PC		G71-15224-24042	PIN HEADER;POLES:24;STRAIGHT;PITCH:2.54 mm;2 ROWS;1002-24-S	[B:00: {1.0}(X1)]	
14	2.0000	PC		G71-23102-04756	WAFER;POLES:2;STRAIGHT;PITCH:2 mm;1 ROW;TYPE:A2006WV-2P	[SMPSU22:00: {2.0}(X2,X4)]	
15	1.0000	PC	W71-23106-04965	G71-23106-04965	WAFER;POLES:6;STRAIGHT;PITCH:2 mm;1 ROW;TYPE:A2006WV-6P	[P0AL2:02: {1.0}(X11)]	
16	1.0000	PC	W71-23107-04746	G71-23107-04746	WAFER;POLES:7;STRAIGHT;PITCH:2 mm;1 ROW;TYPE:A2006WV-7P	[P0AL2:02: {1.0}(X15)]	
17	1.0000	PC	W71-23108-04747	G71-23108-04747	WAFER;POLES:8;STRAIGHT;PITCH:2 mm;1 ROW;TYPE:A2006WV-8P	[P0AL2:02: {1.0}(X10)]	
18	2.0000	PC		G71-23109-04748	WAFER;POLES:9;STRAIGHT;PITCH:2 mm;1 ROW;TYPE:A2006WV-9P	[P0AL2:02: {2.0}(X9,X13)]	
19	1.0000	PC	W71-23110-04749	G71-23110-04749	WAFER;POLES:10;STRAIGHT;PITCH:2 mm;1 ROW;TYPE:A2006WV-10P	[P0AL2:02: {1.0}(X7)]	
20	2.0000	PC	W71-23112-04751	G71-23112-04751	WAFER;POLES:12;STRAIGHT;PITCH:2 mm;1 ROW;TYPE:A2006WV-12P	[P0AL2:02: {2.0}(X12,X14)]	
21	1.0000	PC		G71-35220-03405	PLUG;PCB;PLUG;PCB SOCKET;POLES:20;2 ROWS;STRAIGHT;PITCH:2mm54;2801-20GS	[P0AL2:01: {1.0}(X39)]	
22	1.0000	PC	W71-35224-03073	G71-35224-03073	PLUG;PCB;PLUG;PCB SOCKET;POLES:24;2 ROWS;STRAIGHT;PITCH:2mm54;2801-24GS	[P0AL2:02: {1.0}(X5)]	
23	1.0000	PC		G71-43102-05994	PLUG;HOUSING;POLES:2;ROWS:1;STRAIGHT;PITCH:2mm;TYP:A2008		
24	1.0000	PC	W71-43106-05998	G71-43106-05998	PLUG;HOUSING;POLES:6;ROWS:1;STRAIGHT;PITCH:2mm;TYP:A2008		
25	1.0000	PC	W71-43107-05999	G71-43107-05999	PLUG;HOUSING;POLES:7;ROWS:1;STRAIGHT;PITCH:2mm;TYP:A2008		
26	1.0000	PC	W71-43108-06000	G71-43108-06000	PLUG;HOUSING;POLES:8;ROWS:1;STRAIGHT;PITCH:2mm;TYP:A2008		
27	1.0000	PC		G71-43109-06001	PLUG;HOUSING;POLES:9;ROWS:1;STRAIGHT;PITCH:2mm;TYP:A2008		
28	1.0000	PC	W71-43110-06002	G71-43110-06002	PLUG;HOUSING;POLES:10;ROWS:1;STRAIGHT;PITCH:2mm;TYP:A2008		
29	2.0000	PC	W71-43112-06004	G71-43112-06004	PLUG;HOUSING;POLES:12;ROWS:1;STRAIGHT;PITCH:2mm;TYP:A2008		
30	64.0000	PC	W71-80000-05663	G71-80000-05663	BD.-IN-CONN;TERMINAL;SAN-002T-0.8A		
31	1.0000	PC	W71-83106-05650	G71-83106-05650	BOARD-IN-CONNECTOR;POLES:6;ROWS:1;STRAIGHT;PITCH:2 mm		
32	1.0000	PC		G71-83107-05651	BOARD-IN-CONNECTOR;POLES:7;ROWS:1;STRAIGHT;PITCH:2 mm		
33	1.0000	PC	W71-83108-05652	G71-83108-05652	BOARD-IN-CONNECTOR;POLES:8;ROWS:1;STRAIGHT;PITCH:2 mm		
34	1.0000	PC		G71-83109-05817	BOARD-IN-CONNECTOR;POLES:9;ROWS:1;STRAIGHT;PITCH:2 mm		
35	1.0000	PC	W71-83110-05654	G71-83110-05654	BOARD-IN-CONNECTOR;POLES:10;ROWS:1;STRAIGHT;PITCH:2 mm		
36	2.0000	PC	W71-83112-05657	G71-83112-05657	BOARD-IN-CONNECTOR;POLES:12;ROWS:1;STRAIGHT;PITCH:2 mm		

Power Supply

	Quantity	Unit	S.Sku	M.Sku	Description	Reference Designators	Notes
1	1.0000	PC	Z63-09390-24046	J63-09390-24046	TRANSFORMER;SPSU;40 WATT;UB-SERIES;DWG:24046		
2	1.0000	PC		J69-00000-52510	TRAF0;SWITCH MODE;P0AL3;UNIVERSAL 100 TO 240;COMMON;590uH;DA XIN PN:KB1332-15304		
3	1.0000	PC		J69-00000-52512	TRAF0;SWITCH MODE;P0AL3;UNIVERSAL 100 TO 240;COMMON;590uH;SUPERWORLD PN:R17-19-01214		

Quarz

	Quantity	Unit	S.Sku	M.Sku	Description	Reference Designators	Notes
1	1.0000	PC	X65-40471-00000	H65-40471-00000	QUARZ;RESONATOR;10MHz;HC49/S;FUNDAMENTAL	[B:00: {1.0}(Q1)]	
2	1.0000	PC	X65-40471-20000	H65-40471-20000	QUARZ;RESONATOR;12MHz;HC49/4H FUNDAMENTAL	[USBIO2CH:00: {1.0}(Q1)]	

Resistor

	Quantity	Unit	S.Sku	M.Sku	Description	Reference Designators	Notes
1	8.0000	PC			RESISTOR;CARBON;130Kohm;5%;0W063;SMD603	[P0AL2:01: {8.0}(R101,R139,R183-R187,R193)]	*NOT available in DP
2	2.0000	PC			RESISTOR;CARBON;0ohm;5%;0W063;SMD603	[B:00: {2.0}(R11-R12)]	*NOT available in DP
3	1.0000	PC			RESISTOR;CARBON;2ohm2;5%;0W063;SMD603	[B:00: {1.0}(R10)]	*NOT available in DP
4	1.0000	PC			RESISTOR;CARBON;5ohm1;5%;0W063;SMD603	[B:00: {1.0}(R1)]	*NOT available in DP
5	2.0000	PC			RESISTOR;CARBON;22ohm;5%;0W063;SMD603	[USBIO2CH:00: {2.0}(R18-R19)]	*NOT available in DP
6	8.0000	PC			RESISTOR;CARBON;100ohm;5%;0W063;SMD603	[B:00: {7.0}(R7-R8,R14,R16,R18-R19,R22)]	*NOT available in DP
7	9.0000	PC			RESISTOR;CARBON;120ohm;5%;0W063;SMD603	[P0AL2:01: {8.0}(R227,R249,R264,R278,R293-R296)]	*NOT available in DP
8	2.0000	PC			RESISTOR;CARBON;150ohm;5%;0W063;SMD603	[B:00: {2.0}(R5-R6)]	*NOT available in DP
9	2.0000	PC			RESISTOR;CARBON;330ohm;5%;0W063;SMD603	[P0AL2:02: {2.0}(R302,R324)]	*NOT available in DP
10	2.0000	PC			RESISTOR;CARBON;360ohm;5%;0W063;SMD603	[P0AL2:01: {2.0}(R228,R255)]	*NOT available in DP
11	6.0000	PC			RESISTOR;CARBON;470ohm;5%;0W063;SMD603	[USBIO2CH:00: {3.0}(R4-R6)]	*NOT available in DP
12	4.0000	PC			RESISTOR;CARBON;510ohm;5%;0W063;SMD603	[P0AL2:02: {4.0}(R136,R152,R300,R341)]	*NOT available in DP
13	1.0000	PC			RESISTOR;CARBON;620ohm;5%;0W063;SMD603	[P0AL2:02: {1.0}(R336)]	*NOT available in DP
14	19.0000	PC			RESISTOR;CARBON;680ohm;5%;0W063;SMD603	[P0AL2:02: {19.0}(R560-R567,R573-R580,R664-R666)]	*NOT available in DP
15	16.0000	PC			RESISTOR;CARBON;820ohm;5%;0W063;SMD603	[P0AL2:02: {16.0}(R621-R628,R736-R743)]	*NOT available in DP
16	21.0000	PC			RESISTOR;CARBON;1Kohm;5%;0W063;SMD603	[B:00: {1.0}(R21)]	*NOT available in DP
17	2.0000	PC			RESISTOR;CARBON;1Kohm2;5%;0W063;SMD603	[P0AL2:01: {2.0}(R266,R281)]	*NOT available in DP
18	1.0000	PC			RESISTOR;CARBON;1Kohm3;5%;0W063;SMD603	[P0AL2:02: {1.0}(R367)]	*NOT available in DP
19	47.0000	PC			RESISTOR;CARBON;1Kohm5;5%;0W063;SMD603	[USBIO2CH:00: {1.0}(R1)]	*NOT available in DP
20	23.0000	PC			RESISTOR;CARBON;2Kohm;5%;0W063;SMD603	[P0AL2:02: {23.0}(R429,R468,R487,R524,R530,R536,R538,R540,R542,R544-R547,R581-R584,R593,R595,R600,R603,R605,R607)]	*NOT available in DP
21	6.0000	PC			RESISTOR;CARBON;2Kohm2;5%;0W063;SMD603	[D:00: {1.0}(R8)]	*NOT available in DP
22	8.0000	PC			RESISTOR;CARBON;2Kohm7;5%;0W063;SMD603	[P0AL2:01: {8.0}(R106,R140,R160,R164-R168)]	*NOT available in DP
23	1.0000	PC			RESISTOR;CARBON;3Kohm3;5%;0W063;SMD603	[P0AL2:02: {1.0}(R646)]	*NOT available in DP
24	4.0000	PC			RESISTOR;CARBON;3Kohm6;5%;0W063;SMD603	[P0AL2:01: {2.0}(R229,R256)]	*NOT available in DP
25	34.0000	PC			RESISTOR;CARBON;3Kohm9;5%;0W063;SMD603	[P0AL2:02: {34.0}(R8-R22,R57,R77,R124,R201,R204,R207,R210,R212-R213,R215-R216,R218-R219,R221-R222,R258,R260,R262,R264)]	*NOT available in DP
26	10.0000	PC			RESISTOR;CARBON;4Kohm7;5%;0W063;SMD603	[B:00: {2.0}(R2-R3)]	*NOT available in DP
27	63.0000	PC			RESISTOR;CARBON;5Kohm1;5%;0W063;SMD603	[P0AL2:02: {63.0}(R76,R123,R149-R150,R200,R202-R203,R205-R206,R208-R209,R211,R294,R311-R318,R355-R362,R366,R373,R386-R393,R411,R413,R415,R417,R419,R421,R423,R425,R433-R440,R443,R445,R447,R449,R451,R453,R455,R457)]	*NOT available in DP
28	4.0000	PC			RESISTOR;CARBON;5Kohm6;5%;0W063;SMD603	[P0AL2:02: {4.0}(R409,R441,R513,R585)]	*NOT available in DP
29	88.0000	PC			RESISTOR;CARBON;6Kohm8;5%;0W063;SMD603	[P0AL2:01: {4.0}(R111,R121,R131,R134)]	*NOT available in DP
30	4.0000	PC			RESISTOR;CARBON;7Kohm5;5%;0W063;SMD603	[P0AL2:02: {4.0}(R369,R384,R399,R406)]	*NOT available in DP
31	9.0000	PC			RESISTOR;CARBON;8Kohm2;5%;0W063;SMD603	[P0AL2:02: {9.0}(R408,R442,R444,R446,R448,R450,R452,R454,R456)]	*NOT available in DP
32	100.0000	PC			RESISTOR;CARBON;10Kohm;5%;0W063;SMD603	[D:00: {6.0}(R1-R3,R5-R6,R18)]	*NOT available in DP
33	31.0000	PC			RESISTOR;CARBON;12Kohm;5%;0W063;SMD603	[P0AL2:02: {31.0}(R325,R333,R350,R352,R364,R370,R596-R599,R614,R616,R618,R620,R634-R641,R684,R687,R689,R691,R693,R695,R697,R699,R701)]	*NOT available in DP
34	47.0000	PC			RESISTOR;CARBON;15Kohm;5%;0W063;SMD603	[D:00: {1.0}(R4)]	*NOT available in DP
35	6.0000	PC			RESISTOR;CARBON;18Kohm;5%;0W063;SMD603	[P0AL2:02: {6.0}(R25,R53,R63,R92,R122,R134)]	*NOT available in DP
36	37.0000	PC			RESISTOR;CARBON;20Kohm;5%;0W063;SMD603	[D:00: {2.0}(R21-R22)]	*NOT available in DP
37	16.0000	PC			RESISTOR;CARBON;22Kohm;5%;0W063;SMD603	[P0AL2:02: {16.0}(R531-R534,R554-R557,R712,R715,R718,R721,R724,R727,R730,R733)]	*NOT available in DP

	Quantity	Unit	S.Sku	M.Sku	Description	Reference Designators	Notes
38	1.0000	PC			RESISTOR;CARBON;24Kohm;5%;0W063;SMD603	[B:00: {1.0}(R17)]	*NOT available in DP
39	56.0000	PC			RESISTOR;CARBON;27Kohm;5%;0W063;SMD603	[P0AL2:02: {56.0}(R50-R51,R54-R55,R58-R62,R90,R138-R148,R154,R156,R158,R160,R162,R164,R166,R168,R170,R172,R174,R176,R178,R431,R467,R511,R514,R572,R587,R714,R717,R720,R723,R726,R729,R732,R735,R744-R751)]	*NOT available in DP
40	6.0000	PC			RESISTOR;CARBON;30Kohm;5%;0W063;SMD603	[P0AL2:02: {6.0}(R427,R432,R509-R510,R559,R586)]	*NOT available in DP
41	10.0000	PC			RESISTOR;CARBON;36Kohm;5%;0W063;SMD603	[P0AL2:02: {10.0}(R332,R334,R342,R353,R430,R477,R512,R548-R549,R601)]	*NOT available in DP
42	55.0000	PC			RESISTOR;CARBON;47Kohm;5%;0W063;SMD603	[B:00: {1.0}(R20)]	*NOT available in DP
43	1.0000	PC			RESISTOR;CARBON;51Kohm;5%;0W063;SMD603	[P0AL2:02: {1.0}(R633)]	*NOT available in DP
44	8.0000	PC			RESISTOR;CARBON;56Kohm;5%;0W063;SMD603	[P0AL2:02: {8.0}(R686,R688,R690,R692,R694,R696,R698,R700)]	*NOT available in DP
45	4.0000	PC			RESISTOR;CARBON;62Kohm;5%;0W063;SMD603	[P0AL2:02: {4.0}(R193,R298,R335,R354)]	*NOT available in DP
46	8.0000	PC			RESISTOR;CARBON;75Kohm;5%;0W063;SMD603	[P0AL2:02: {8.0}(R649,R651,R653,R655,R657,R659,R661,R663)]	*NOT available in DP
47	15.0000	PC			RESISTOR;CARBON;100Kohm;5%;0W063;SMD603	[P0AL2:02: {15.0}(R180,R194,R254,R295,R305,R323,R647,R713,R716,R719,R722,R725,R728,R731,R734)]	*NOT available in DP
48	1.0000	PC			RESISTOR;CARBON;200Kohm;5%;0W063;SMD603	[P0AL2:02: {1.0}(R267)]	*NOT available in DP
49	26.0000	PC			RESISTOR;CARBON;220Kohm;5%;0W063;SMD603	[P0AL2:01: {2.0}(R194,R217)]	*NOT available in DP
50	1.0000	PC			RESISTOR;CARBON;680Kohm;5%;0W063;SMD603	[D:00: {1.0}(R7)]	*NOT available in DP
51	27.0000	PC			RESISTOR;CARBON;1Mohm;5%;0W063;SMD603	[D:00: {1.0}(R9)]	*NOT available in DP
52	1.0000	PC			RESISTOR;METAL;200ohm;1%;0W063;SMD603	[USBIO2CH:00: {1.0}(R17)]	*NOT available in DP
53	1.0000	PC			RESISTOR;METAL;390ohm;1%;0W063;SMD603	[USBIO2CH:00: {1.0}(R11)]	*NOT available in DP
54	8.0000	PC			RESISTOR;METAL;510ohm;1%;0W063;SMD603	[P0AL2:01: {8.0}(R66,R68-R73,R75)]	*NOT available in DP
55	4.0000	PC			RESISTOR;METAL;1Kohm;1%;0W063;SMD603	[D:00: {4.0}(R10-R13)]	*NOT available in DP
56	16.0000	PC			RESISTOR;METAL;1Kohm3;1%;0W063;SMD603	[P0AL2:01: {16.0}(R220-R225,R250,R252-R253,R258-R261,R265,R282-R283)]	*NOT available in DP
57	32.0000	PC			RESISTOR;METAL;2Kohm2;1%;0W063;SMD603	[P0AL2:01: {32.0}(R74,R76,R98,R103-R104,R110,R115-R118,R125-R130,R137-R138,R151,R153,R155,R157-R158,R162-R163,R178-R179,R188-R189,R195-R196,R215)]	*NOT available in DP
58	8.0000	PC			RESISTOR;METAL;5Kohm1;1%;0W063;SMD603	[P0AL2:01: {8.0}(R77-R80,R83-R86)]	*NOT available in DP
59	2.0000	PC			RESISTOR;METAL;5Kohm6;1%;0W063;SMD603	[USBIO2CH:00: {2.0}(R7-R8)]	*NOT available in DP
60	60.0000	PC			RESISTOR;METAL;10Kohm;1%;0W063;SMD603	[USBIO2CH:00: {4.0}(R9-R10,R15-R16)]	*NOT available in DP
61	2.0000	PC			RESISTOR;METAL;41Kohm2;1%;0W063;SMD603	[USBIO2CH:00: {2.0}(R2-R3)]	*NOT available in DP
62	4.0000	PC			RESISTOR;METAL;10Kohm;1%;PPM100;0W063;SMD603	[D:00: {4.0}(R14-R17)]	*NOT available in DP
63	16.0000	PC			RESISTOR;CARBON;3ohm9;5%;0W1;SMD805	[P0AL2:01: {16.0}(R251,R267-R274,R284,R286-R291)]	*NOT available in DP
64	8.0000	PC			RESISTOR;CARBON;4ohm7;5%;0W1;SMD805	[D:00: {2.0}(R19-R20)]	*NOT available in DP
65	1.0000	PC			RESISTOR;CARBON;6ohm8;5%;0W1;SMD805	[SMPSU22:00: {1.0}(R17)]	*NOT available in DP
66	2.0000	PC			RESISTOR;CARBON;22ohm;5%;0W1;SMD805	[P0AL2:02: {2.0}(R225,R372)]	*NOT available in DP
67	6.0000	PC			RESISTOR;CARBON;47ohm;5%;0W1;SMD805	[P0AL2:01: {6.0}(R87,R99-R100,R105,R191,R197)]	*NOT available in DP
68	2.0000	PC			RESISTOR;CARBON;51ohm;5%;PPM200;0W1;SMD603	[P0AL2:01: {2.0}(R200,R216)]	*NOT available in DP
69	1.0000	PC			RESISTOR;CARBON;56ohm;5%;0W1;SMD805	[P0AL2:02: {1.0}(R711)]	*NOT available in DP
70	28.0000	PC			RESISTOR;CARBON;120ohm;5%;0W1;SMD805	[SMPSU22:00: {2.0}(R9-R10)]	*NOT available in DP
71	1.0000	PC			RESISTOR;CARBON;470ohm;5%;0W1;SMD805	[SMPSU22:00: {1.0}(R24)]	*NOT available in DP
72	1.0000	PC			RESISTOR;CARBON;560ohm;5%;0W1;SMD805	[SMPSU22:00: {1.0}(R25)]	*NOT available in DP
73	1.0000	PC			RESISTOR;CARBON;820ohm;5%;0W1;SMD805	[SMPSU22:00: {1.0}(R23)]	*NOT available in DP
74	4.0000	PC			RESISTOR;CARBON;2Kohm2;5%;0W1;SMD805	[SMPSU22:00: {4.0}(R7-R8,R14-R15)]	*NOT available in DP
75	1.0000	PC			RESISTOR;CARBON;3Kohm3;5%;0W1;SMD805	[SMPSU22:00: {1.0}(R19)]	*NOT available in DP
76	3.0000	PC			RESISTOR;CARBON;10Kohm;5%;0W1;SMD805	[SMPSU22:00: {1.0}(R6)]	*NOT available in DP

	Quantity	Unit	S.Sku	M.Sku	Description	Reference Designators	Notes
77	1.0000	PC			RESISTOR;CARBON;22Kohm;5%;0W1;SMD805	[SMPSU22:00: {1.0}(R22)]	*NOT available in DP
78	3.0000	PC			RESISTOR;CARBON;47Kohm;5%;0W1;SMD805	[SMPSU22:00: {3.0}(R20-R21,R26)]	*NOT available in DP
79	3.0000	PC			RESISTOR;CARBON;680Kohm;5%;0W1;SMD805	[SMPSU22:00: {3.0}(R11-R13)]	*NOT available in DP
80	1.0000	PC			RESISTOR;METAL;10Kohm;1%;0W1;SMD805	[SMPSU22:00: {1.0}(R18)]	*NOT available in DP
81	1.0000	PC			RESISTOR;METAL;56Kohm2;1%;0W1;SMD805	[SMPSU22:00: {1.0}(R16)]	*NOT available in DP
82	1.0000	PC	Y04-00100-23978	I04-00100-23978	THERMISTOR;NTC;10ohm;3A	[SMPSU22:00: {1.0}(R1)]	
83	1.0000	PC		I04-12501-00185	THERMISTOR;PTC;(RICH GP60-025)	[P0AL2:02: {1.0}(R1)]	
84	1.0000	PC			VARIATOR;10 %;470 V;10D471K	[SMPSU22:00: {1.0}(VT1)]	*NOT available in DP
85	1.0000	PC			RESISTOR;CARBON;10ohm;5%;0W25;LEAD WIRE;HORIZONTAL 26-6mm	[P0794:00: {1.0}(R4)]	*NOT available in DP
86	16.0000	PC			RESISTOR;METAL;510ohm;1%;0W25;LEAD WIRE;HORIZONTAL 26-6mm	[D:00: {4.0}(R27,R29,R32,R38)]	*NOT available in DP
87	16.0000	PC			RESISTOR;METAL;6Kohm8;1%;0W25;LEAD WIRE;HORIZONTAL 26-6mm	[P0AL2:01: {16.0}(R37-R42,R45-R46,R49-R50,R53-R54,R57-R58,R61-R62)]	*NOT available in DP
88	16.0000	PC			RESISTOR;METAL;825 ohm;0W25;1 %;MET;HORIZONTAL 26-6mm	[D:00: {4.0}(R28,R30-R31,R37)]	*NOT available in DP
89	16.0000	PC			RESISTOR;METAL;2.49 kohm;0W25;1 %;MET;HORIZONTAL 26-6mm	[D:00: {4.0}(R23-R26)]	*NOT available in DP
90	16.0000	PC			RESISTOR;METAL;3.92 kohm;0W25;1 %;MET;HORIZONTAL 26-6mm	[D:00: {4.0}(R33-R36)]	*NOT available in DP
91	1.0000	PC			RESISTOR;CARBON;220ohm;5%;0W5;LEAD WIRE;RADIAL	[SMPSU22:00: {1.0}(R5)]	*NOT available in DP
92	2.0000	PC			RESISTOR;CARBON;330ohm;5%;0W5;LEAD WIRE;RADIAL	[SMPSU22:00: {2.0}(R2-R3)]	*NOT available in DP

Fader

	Quantity	Unit	S.Sku	M.Sku	Description	Reference Designators	Notes
1	12.0000	PC		I00-73441-02013	FADER;60mm;10Kohm;TAPER:D;MONO;W/O CC;LEVER;4mm*15mm;W/ THREADS M2;(SOUNDWELL SA6005NGA1B-HA1-007)	[P0AL2:02: {12.0}(VR1-VR8,VR13-VR16)]	
2	4.0000	PC	Y00-74451-02012	I00-74451-02012	FADER;60mm;10Kohm;TAPER:D;STEREO;W/O CC;LEVER LENGTH 15mm;(SOUNDWELL SA6005GOA0B-HA1-005)	[P0AL2:02: {4.0}(VR9-VR12)]	

Potentiometer

	Quantity	Unit	S.Sku	M.Sku	Description	Reference Designators	Notes
1	8.0000	PC		I03-00000-03788	POTENTIOMETER;50 kohm;B;20 %;STEREO;NOBLE(XV012323YGPV30F1B50K/I) SHAFT 30MM	[P0AL2:02: {8.0}(VR122-VR129)]	
2	8.0000	PC		I03-61241-06648	POTENTIOMETER;10kohm;TAPER:1B;MONO;SHAFT:30MM;W/ CC;20-100gf;NORMALTORQUE;(NOBLE XV09213YNPV30F1B10KCC)	[P0AL2:02: {8.0}(VR98-VR105)]	
3	16.0000	PC		I03-61245-06649	POTENTIOMETER;50kohm;TAPER:1B;MONO;SHAFT:30MM;W/ CC;20-100gf;NORMAL TORQUE;(NOBLE XV09213YNPV30F1B50KCC)	[P0AL2:02: {16.0}(VR68-VR75,VR110-VR117)]	
4	41.0000	PC		I03-61245-06653	POTENTIOMETER;50kohm;TAPER:3B;MONO;SHAFT:30MM;W/ CC;20-100gf;NORMAL TORQUE;(NOBLE XV09213YNPV30F3B50KCC)	[P0AL2:02: {41.0}(VR29-VR40,VR42-VR66,VR80,VR82,VR95,VR97)]	
5	16.0000	PC		I03-62245-06643	POTENTIOMETER;50kohm;TAPER:1B;STEREO;W/CC;20-100gf;NORMAL TORQUE;(NOBLE XV012313YGPV30F1B50KCC)	[P0AL2:02: {16.0}(VR76-VR79,VR91-VR94,VR106-VR109,VR118-VR121)]	
6	3.0000	PC	Y03-62245-06645	I03-62245-06645	POTENTIOMETER;50kohm;TAPER:3B;STEREO;SHAFT:30MM;W/CC;20-100gf;NORMAL TORQUE;(NOBLE XV012313YGPV30F3B50KCC)	[P0AL2:02: {3.0}(VR67,VR81,VR96)]	
7	12.0000	PC		I03-62741-06642	POTENTIOMETER;10kohm 10kohm;TAPERA/C;STEREO;SHAFT:30MM;W/ CC;20-100gf;NORMAL TORQUE;(NOBLE XV012313YGPV30F15AC10KCC)	[P0AL2:02: {12.0}(VR17-VR28)]	
8	8.0000	PC	Y03-85335-01906	I03-63335-06650	POTENTIOMETER;5kohm;TAPER:C05;MONO;SHAFT:30MM;W/O CC;20-100gf;NORMAL TORQUE;(NOBLE XV09213YNPV30F05C5K)	[P0AL2:01: {8.0}(VR1-VR8)]	
9	1.0000	PC	Y03-34645-31441	I03-64245-06647	POTENTIOMETER;50kohm;TAPER:3B;STEREO;SHAFT:30MM;W/O CC;20-100gf;NORMAL TORQUE;(NOBLE XV012313YGPV30F3B50K)	[P0AL2:02: {1.0}(VR41)]	
10	8.0000	PC	Y03-64345-06646	I03-64345-06646	POTENTIOMETER;50kohm;TAPER:10C;STEREO;SHAFT:30MM;W/O CC;20-100gf;NORMAL TORQUE;(NOBLE XV012313YGPV30F10C50K)	[P0AL2:02: {8.0}(VR83-VR90)]	

Encoder

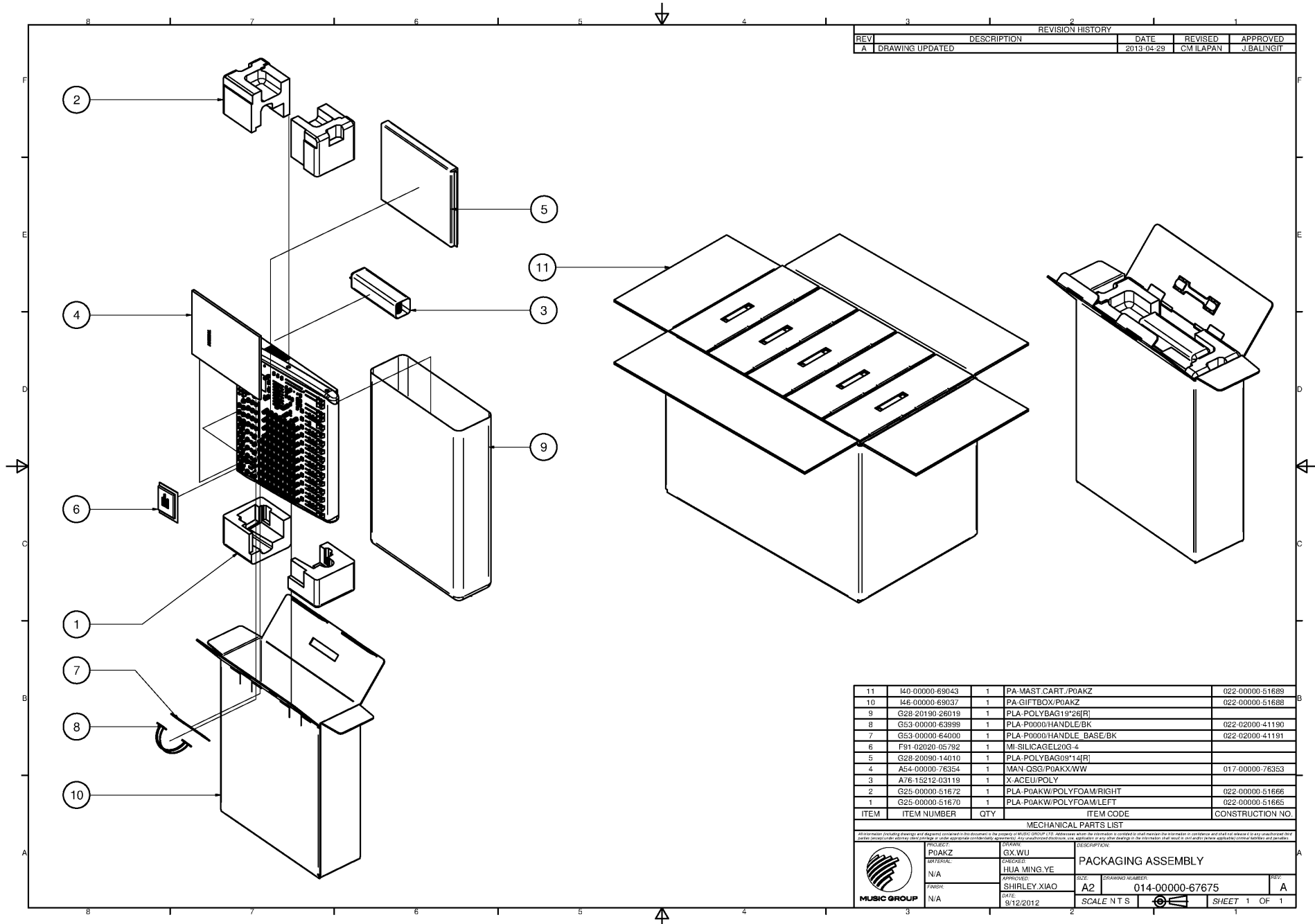
	Quantity	Unit	S.Sku	M.Sku	Description	Reference Designators	Notes
1	1.0000	PC	Y32-32430-24605	I32-92430-02704	ENCODER;12mm;DETENTS:24;PULSES:24;30mm;W/SWITCH;NO NUT/WASHER;(POLYSHINE F-12E55H24B-P+C L30FX12(O))	[P0AL2:02: {1.0}(SW76)]	

Switch

	Quantity	Unit	S.Sku	M.Sku	Description	Reference Designators	Notes
1	67.0000	PC	Y77-03422-02778	I77-03422-02778	SWITCH;RADIAL;2P2T;PCB VERSION;LOCKING;NONSHORT;RAD2P	[P0AL2:01: {12.0}(SW1-SW12)]	
2	18.0000	PC	Y77-03442-02780	I77-03442-02780	SWITCH;RADIAL;4P2T;PCB VERSION;LOCKING;NONSHORT;RAD4P	[P0AL2:02: {18.0}(SW25-SW36,SW45-SW48,SW51,SW69)]	
3	2.0000	PC	Y77-03822-02779	I77-03822-02779	SWITCH;RADIAL;2P2T;PCB VERSION;NONLOCK;NONSHORT;RAD2P/NON	[P0AL2:02: {2.0}(SW74-SW75)]	
4	1.0000	PC	Y84-02211-00140	I84-02211-00140	SWITCH;ROCKER;1P1T;WHITE LINE MARKING RADIAL;LOCKING;NONSHORT;APPROVAL: UL94V0;(SOLTEAM MR22-FBBB-F2		
5	1.0000	PC		I84-02211-04984	SWITCH;ROCKER;POLES:1;TOGGLES:1;LOCKING;NONSHORT;SOLDER LUG;(CANAL:MR111-CVN-BBNW)		

Transistor

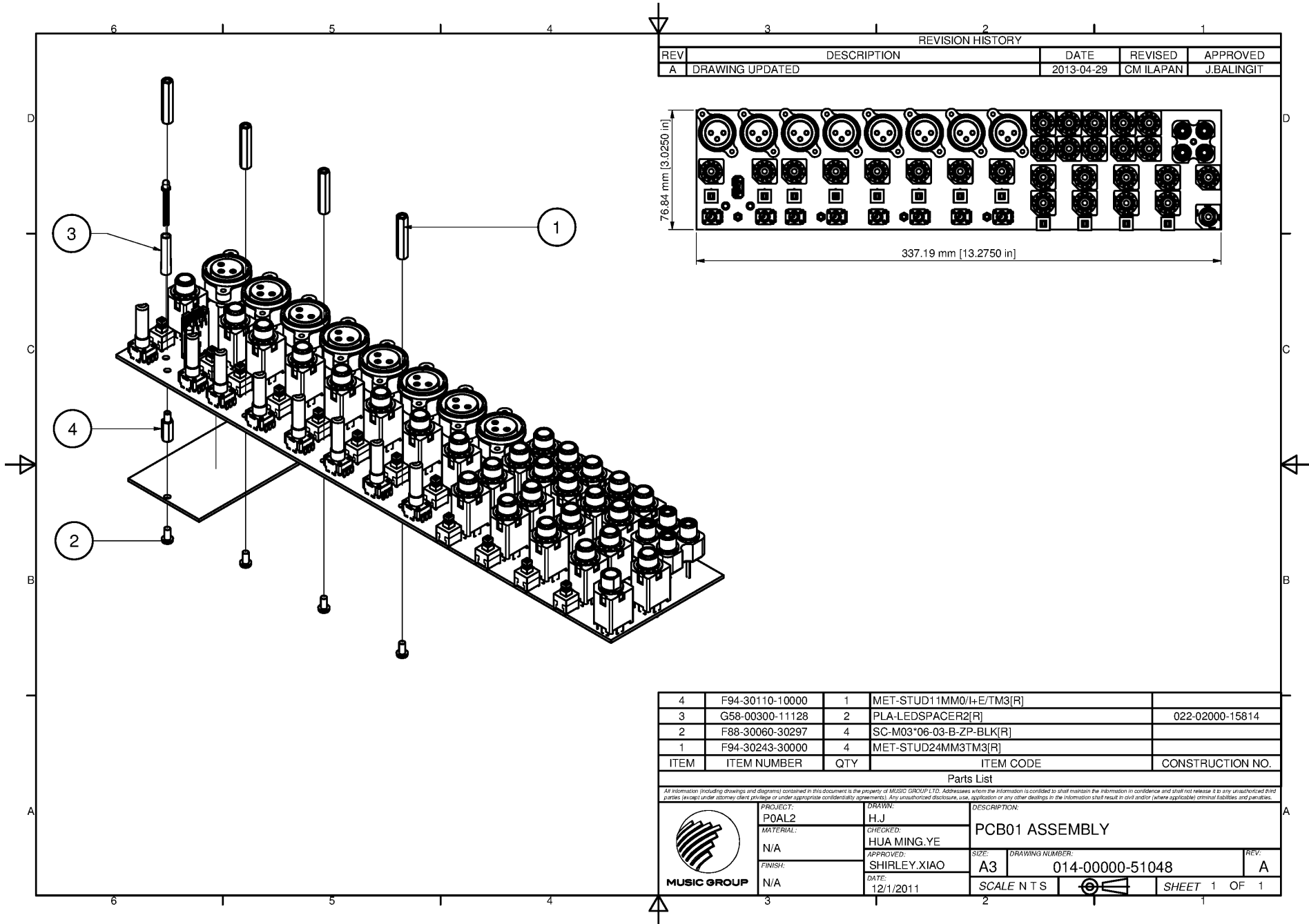
	Quantity	Unit	S.Sku	M.Sku	Description	Reference Designators	Notes
1	2.0000	PC			TRANSISTOR;BD239C;TO220	[SMPSU22:00: {1.0}(T3): {1.0}(T1)]	*NOT available in DP
2	1.0000	PC			TRANSISTOR;BD240C;TO220	[: {1.0}(T2)]	*NOT available in DP
3	16.0000	PC			TRANSISTOR;SOT;3;MBTA06;BRAND:NXP AND INFINEON	[D:00: {4.0}(T7-T10)]	*NOT available in DP
4	30.0000	PC			TRANSISTOR;BC846B;SOT;SMD	[SMPSU22:00: {2.0}(T4,T6)]	*NOT available in DP
5	2.0000	PC			TRANSISTOR;BC856B;SOT;SMD	[SMPSU22:00: {1.0}(T5)]	*NOT available in DP
6	2.0000	PC			TRANSISTOR;MBTA56;SOT	[P0AL2:02: {2.0}(T1-T2)]	*NOT available in DP
7	16.0000	PC			TRANSISTOR;KTA1268GR;T/R;PITCH:2MM54;TO92	[D:00: {4.0}(T11-T14)]	*NOT available in DP
8	1.0000	PC			TRANSISTOR;MMBT3904LT1;SOT23;SMD	[P0AL2:02: {1.0}(T32)]	*NOT available in DP
9	1.0000	PC			TRANSISTOR;MMBF170LT1;SOT	[D:00: {1.0}(T4)]	*NOT available in DP
10	8.0000	PC			TRANSISTOR;2SK208;TO-236MOD;SMD	[P0AL2:02: {8.0}(T35-T42)]	*NOT available in DP
11	5.0000	PC			TRANSISTOR;SST113;SOT	[P0AL2:02: {5.0}(T27-T31)]	*NOT available in DP
12	0.0000	PC			TRANSISTOR;TIP32C;TO220		*NOT available in DP



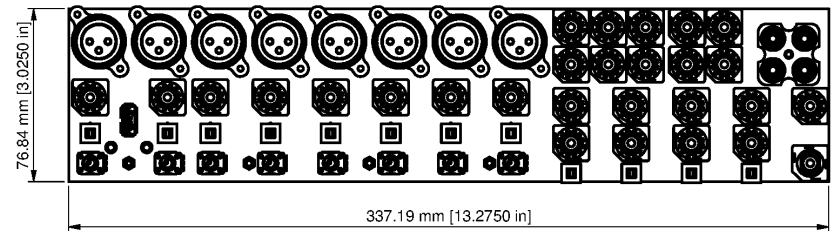
REV		REVISION HISTORY		
REV	DESCRIPTION	DATE	REVISED	APPROVED
A	DRAWING UPDATED	2013-04-28	CM ILAPAN	J.BALINGIT

ITEM	ITEM NUMBER	QTY	ITEM CODE	CONSTRUCTION NO.
11	I40-00000-69043	1	PA-MAST.CART./POAKZ	022-00000-51689
10	I46-00000-69037	1	PA-GIFTBOX/POAKZ	022-00000-51688
9	G28-20190-26019	1	PLA-POLYBAG19*26[R]	
8	G53-00000-63989	1	PLA-P0000/HANDLE/BK	022-02000-41190
7	G53-00000-64000	1	PLA-P0000/HANDLE BASE/BK	022-02000-41191
6	F91-02020-05792	1	MI-SILICAGEL20G-4	
5	G28-20090-14010	1	PLA-POLYBAG09*14[R]	
4	A54-00000-76354	1	MAN-QSG/POAKX/WW	017-00000-76353
3	A76-15212-03119	1	X-ACEU/POLY	
2	G25-00000-51672	1	PLA-POAKW/POLYFOAM/RIGHT	022-00000-51666
1	G25-00000-51670	1	PLA-POAKW/POLYFOAM/LEFT	022-00000-51665

MECHANICAL PARTS LIST			
<small>All information (including drawings) and diagrams contained in this document is the property of MUSIC GROUP LTD. Reference will be made to the information contained in this document to confirm and amend all work unless stated otherwise. Any work done for this project is subject to the terms and conditions of the applicable contract. Any work done for this project is subject to the terms and conditions of the applicable contract. Any work done for this project is subject to the terms and conditions of the applicable contract.</small>			
PROJECT: POAKZ	DRAWN: GX WU	DESCRIPTION: PACKAGING ASSEMBLY	
CHECKED: N/A	CHECKED: HUA MING YE	SIZE: A2	DRAWING NUMBER: 014-00000-67675
APPROVED: SHIRLEY XIAO	DATE: 9/12/2012	SCALE: N T S	SHEET: 1 OF 1



REVISION HISTORY				
REV	DESCRIPTION	DATE	REVISED	APPROVED
A	DRAWING UPDATED	2013-04-29	CM ILAPAN	J.BALINGIT

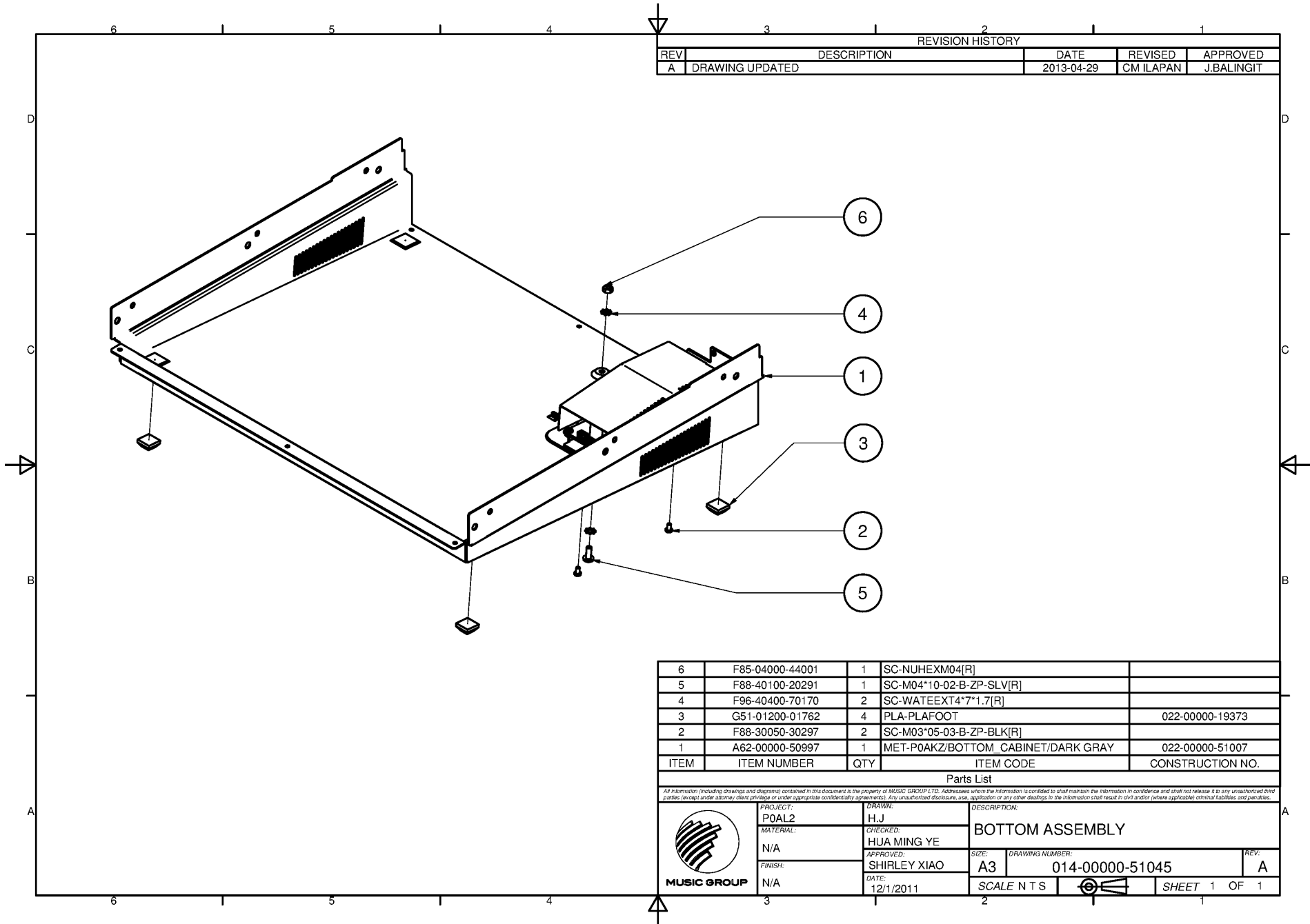


ITEM	ITEM NUMBER	QTY	ITEM CODE	CONSTRUCTION NO.
4	F94-30110-10000	1	MET-STUD11MM0/H-E/TM3[R]	
3	G58-00300-11128	2	PLA-LEDSPACER2[R]	022-02000-15814
2	F88-30060-30297	4	SC-M03*06-03-B-ZP-BLK[R]	
1	F94-30243-30000	4	MET-STUD24MM3TM3[R]	

Parts List

All information (including drawings and diagrams) contained in this document is the property of MUSIC GROUP LTD. Addressees whom the information is confided to shall maintain the information in confidence and shall not release it to any unauthorized third parties (except under attorney client privilege or under appropriate confidentiality agreements). Any unauthorized disclosure, use, application or any other dealings in the information shall result in civil and/or (where applicable) criminal liabilities and penalties.

	PROJECT:	POAL2	DRAWN:	H.J	DESCRIPTION:	PCB01 ASSEMBLY				
	MATERIAL:	N/A	CHECKED:	HUA MING.YE						
	APPROVED:	SHIRLEY.XIAO	DATE:	12/1/2011	SIZE:	A3	DRAWING NUMBER:	014-00000-51048	REV:	A
	FINISH:	N/A	SCALE:	N T S			SHEET:	1 OF 1		



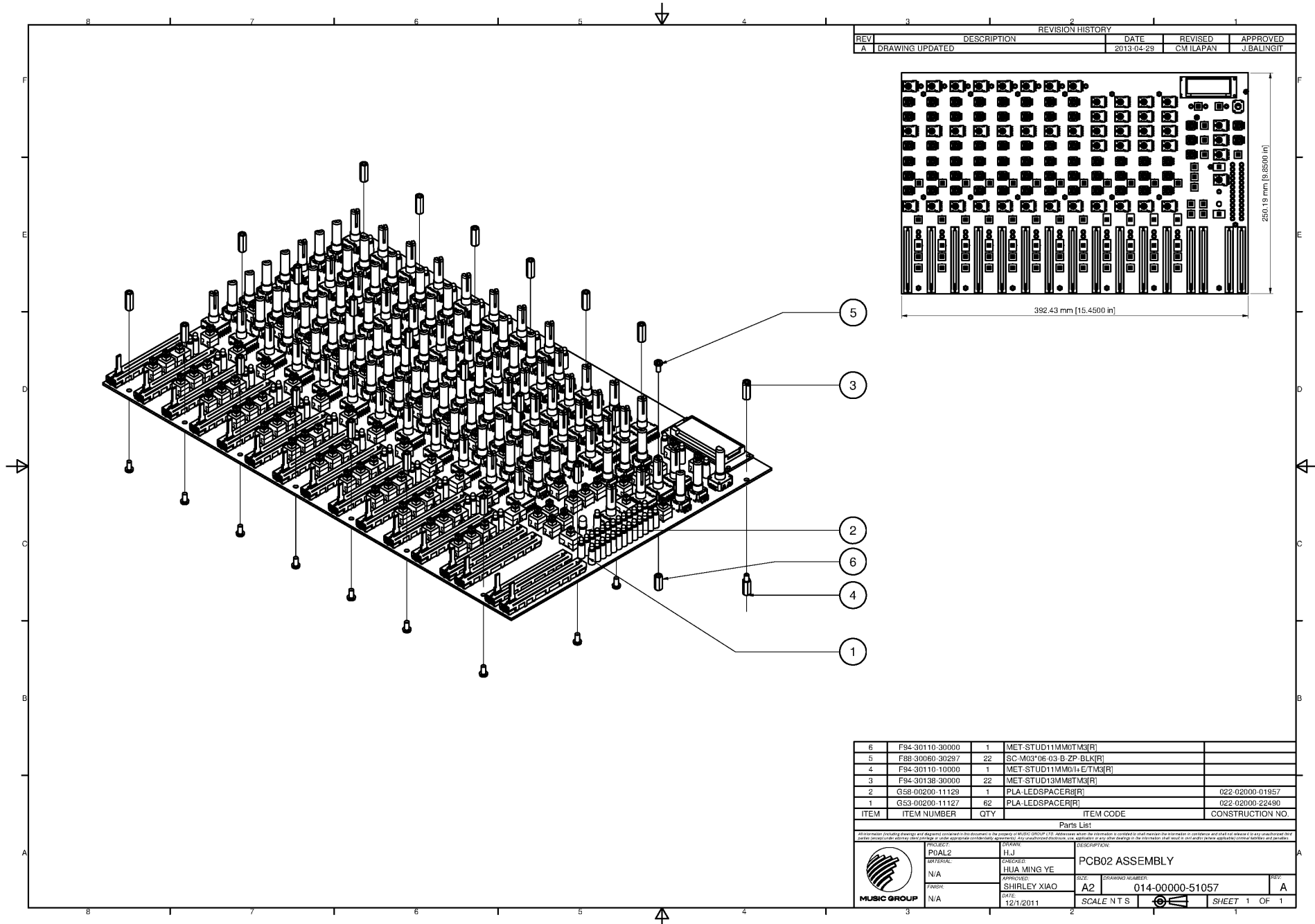
REVISION HISTORY				
REV	DESCRIPTION	DATE	REVISED	APPROVED
A	DRAWING UPDATED	2013-04-29	CM ILAPAN	J.BALINGIT

ITEM	ITEM NUMBER	QTY	ITEM CODE	CONSTRUCTION NO.
6	F85-04000-44001	1	SC-NUHEXM04[R]	
5	F88-40100-20291	1	SC-M04*10-02-B-ZP-SLV[R]	
4	F96-40400-70170	2	SC-WATEEXT4*7*1.7[R]	
3	G51-01200-01762	4	PLA-PLAFOOT	022-00000-19373
2	F88-30050-30297	2	SC-M03*05-03-B-ZP-BLK[R]	
1	A62-00000-50997	1	MET-POAKZ/BOTTOM CABINET/DARK GRAY	022-00000-51007

Parts List

All information (including drawings and diagrams) contained in this document is the property of MUSIC GROUP LTD. Addressees whom the information is confided to shall maintain the information in confidence and shall not release it to any unauthorized third parties (except) under attorney client privilege or under appropriate confidentiality agreements. Any unauthorized disclosure, use, application or any other dealings in the information shall result in civil and/or (where applicable) criminal liabilities and penalties.

	PROJECT:	POAL2	DRAWN:	H.J	DESCRIPTION: BOTTOM ASSEMBLY	
	MATERIAL:	N/A	CHECKED:	HUA MING YE		
	APPROVED:	SHIRLEY XIAO	SIZE:	A3	DRAWING NUMBER:	014-00000-51045
	DATE:	12/1/2011	SCALE:	N T S	SHEET:	1 OF 1
	FINISH:	N/A	REV:	A		



REV		REVISION HISTORY		
REV	DESCRIPTION	DATE	REVISED	APPROVED
A	DRAWING UPDATED	2013-04-29	GM ILAPAN	J.BALINGIT

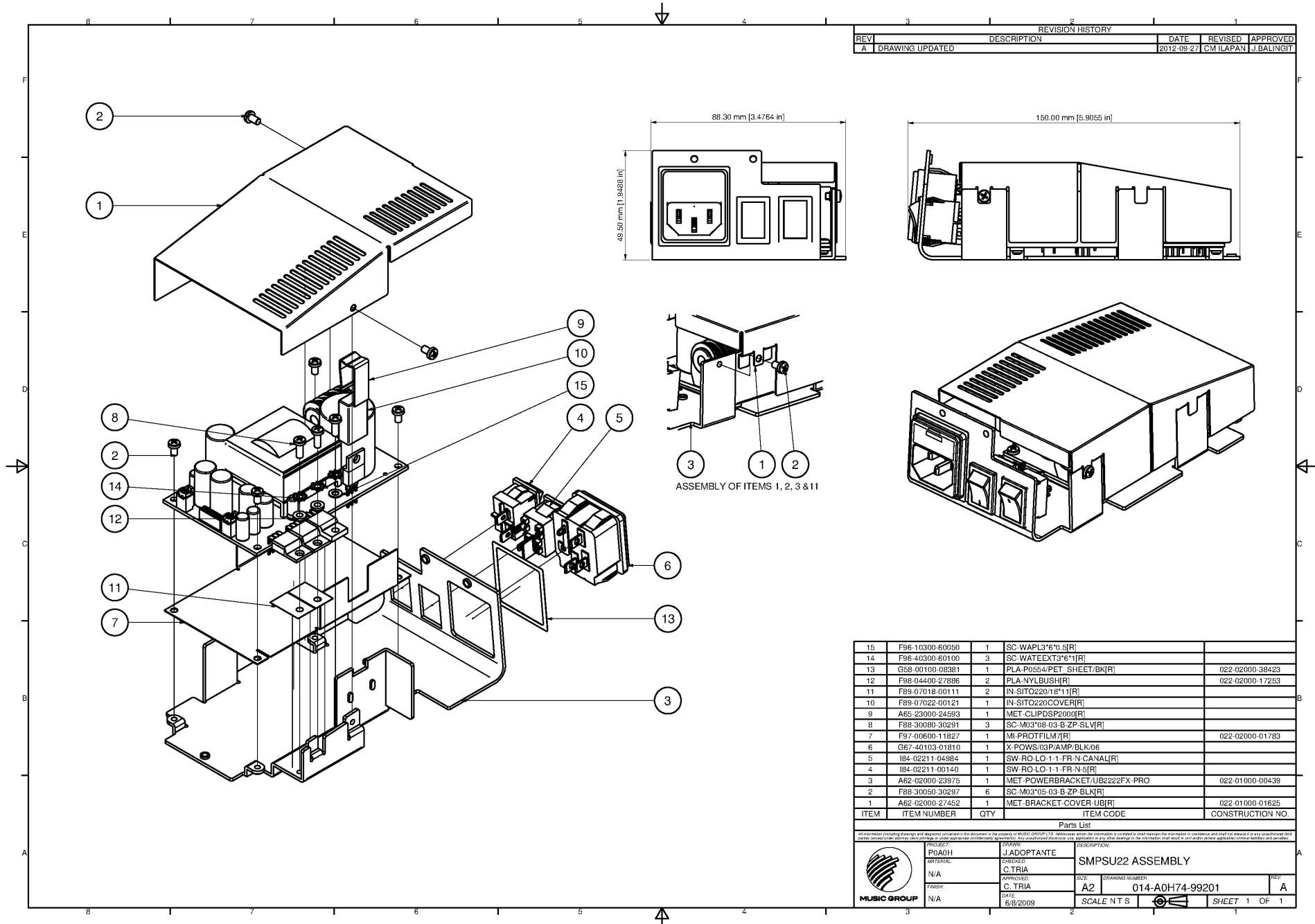
ITEM	ITEM NUMBER	QTY	ITEM CODE	CONSTRUCTION NO.
6	F94-30110-30000	1	MET-STUD11MM0TM3[R]	
5	F88-30060-30297	22	SC-M03*06-03-B-ZP-BLK[R]	
4	F94-30110-10000	1	MET-STUD11MM0H4ETM3[R]	
3	F94-30138-30000	22	MET-STUD13MM8TM3[R]	
2	G58-00200-11129	1	PLA-LEDSPACER[R]	022-02000-01957
1	G53-00200-11127	62	PLA-LEDSPACER[R]	022-02000-22490

Parts List

All information (including drawings and diagrams) contained in this document is the property of MUSIC GROUP LTD. Reference will be made to the information contained in this document to confirm and state in writing to any unauthorized party that the information contained in this document is confidential and proprietary. Any unauthorized disclosure, modification or any other change in the information contained in this document shall be subject to the applicable terms, conditions and procedures.

	PROJECT: PUAL2	DRAWN: H.J	DESCRIPTION: PCB02 ASSEMBLY
	CHECKED: N/A	CHECKED: HUA MING YE	SIZE: DRAWING NUMBER: 014-00000-51057
	APPROVED: SHIRLEY XIAO	DATE: 12/1/2011	REV: A
			SCALE: N T S

SHEET 1 OF 1



REVISION HISTORY				
REV	DESCRIPTION	DATE	REVISED	APPROVED
A	DRAWING UPDATED	2012-08-27	CM LAPAN	J.BALINGIT

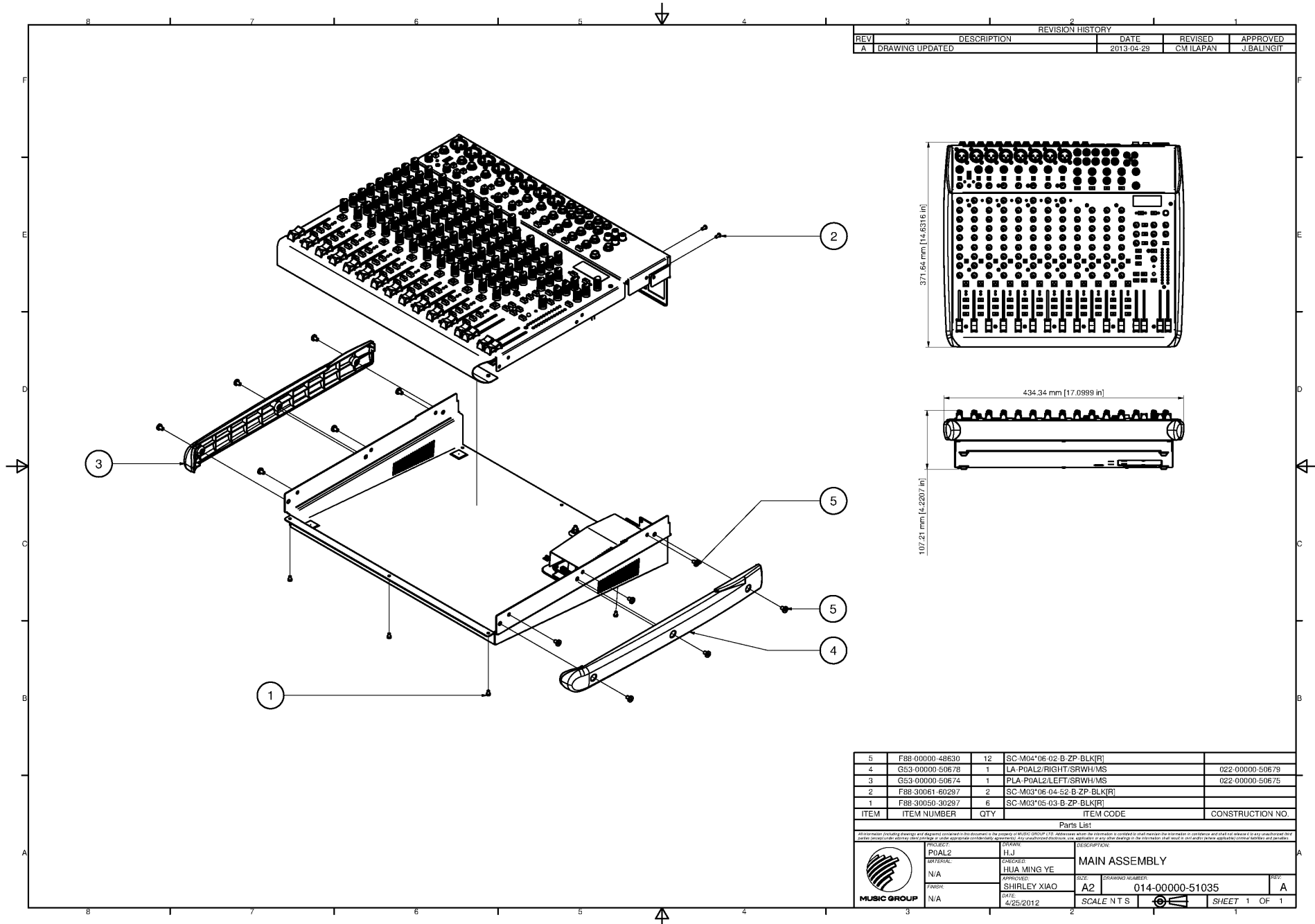
ITEM	ITEM NUMBER	QTY	DESCRIPTION	CONSTRUCTION NO.
15	F96-10300-60050	1	SC-WAPL3*6*0.5[R]	
14	F96-40300-60100	3	SC-WATEEXT3*6*1[R]	
13	G58-00100-08381	1	PLA-P0554/PET-SHEET/BK[R]	022-02000-38423
12	F98-04400-27896	2	PLA-NYLBUSH[R]	022-02000-17253
11	F89-07018-00111	2	IN-SITO220/18*1[R]	
10	F89-07022-00121	1	IN-SITO220COVER[R]	
9	A65-23000-24593	1	MET-CLIPDSP2000[R]	
8	F88-30080-30291	3	SC-M03*08-03-B-ZP-SLV[R]	
7	F97-00600-11827	1	MI-PROTFILM7[R]	022-02000-01783
6	G67-40103-01810	1	X-POWS/03P/AMP/BLK/06	
5	I84-02211-04984	1	SW-RO-LO-1-1-FR-N-CANAL[R]	
4	I84-02211-00140	1	SW-RO-LO-1-1-FR-N-6[R]	
3	A62-02000-23975	1	MET-POWERBRACKET/UB2222FX-PRO	022-01000-00439
2	F88-30050-30297	6	SC-M03*05-03-B-ZP-BLK[R]	
1	A62-02000-27452	1	MET-BRACKETCOVER-UB[R]	022-01000-01625

Parts List

All information (including drawings and diagrams contained in this document) is the property of MUSIC GROUP LTD. Reference will be made to the information contained herein for the purpose of confirmation and shall not be used for any unauthorized use without the express written consent of MUSIC GROUP LTD. Reproduction or use without the express written consent of MUSIC GROUP LTD. is prohibited. All information contained herein is for reference only and shall not be used for any other purpose without the express written consent of MUSIC GROUP LTD.

PROJECT: P040H	DRAWN: J.ADOPTANTE	DESCRIPTION: SMPSU22 ASSEMBLY
DATE: N/A	CHECKED: C.TRIA	SIZE: A2
APPROVED: C.TRIA	DATE: 6/8/2009	DRAWING NUMBER: 014-A0H74-99201
DATE: N/A	SCALE: N T S	SHEET 1 OF 1

REV		REVISION HISTORY		
REV	DESCRIPTION	DATE	REVISED	APPROVED
A	DRAWING UPDATED	2013-04-29	CM ILAPAN	J.BALINGIT



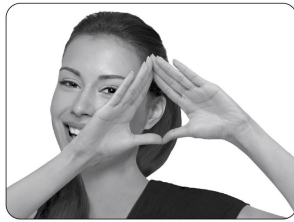
ITEM	ITEM NUMBER	QTY	ITEM CODE	CONSTRUCTION NO.
5	F88-00000-48630	12	SC-M04*06-02-B-ZP-BLK[R]	
4	G53-00000-50678	1	LA-P0AL2/RIGHT/SRWH/MS	022-00000-50679
3	G53-00000-50674	1	PLA-P0AL2/LEFT/SRWH/MS	022-00000-50675
2	F88-30061-60297	2	SC-M03*06-04-52-B-ZP-BLK[R]	
1	F88-30050-30297	6	SC-M03*05-03-B-ZP-BLK[R]	

Parts List

All information (including drawings and diagrams) contained in this document is the property of MUSIC GROUP LTD. Information on the information is provided for your reference and shall not be used for any unauthorized copy or reproduction without the prior written consent of MUSIC GROUP LTD. Information on the information is provided for your reference and shall not be used for any unauthorized copy or reproduction without the prior written consent of MUSIC GROUP LTD.

	PROJECT: P0AL2	DRAWN: HJ	DESCRIPTION: MAIN ASSEMBLY
	DATE/VAL: N/A	CHECKED: HUA MING YE	SIZE: DRAWING NUMBER: 014-00000-51035
	APPROVED: SHIRLEY XIAO	DATE: 4/25/2012	REV: A
			SCALE: N T S

SHEET 1 OF 1



We Hear You