

Service Manual

Created: 11 December 2014



G5 INFINIUM

5-Watt Class-A Tube Amplifier Head with INFINIUM Tube Life Multiplier, MORPH EQ, Reverb and Power Attenuator

Specifications	2
PCB Schematic	3
Parts List	9
Exploded Drawing	20

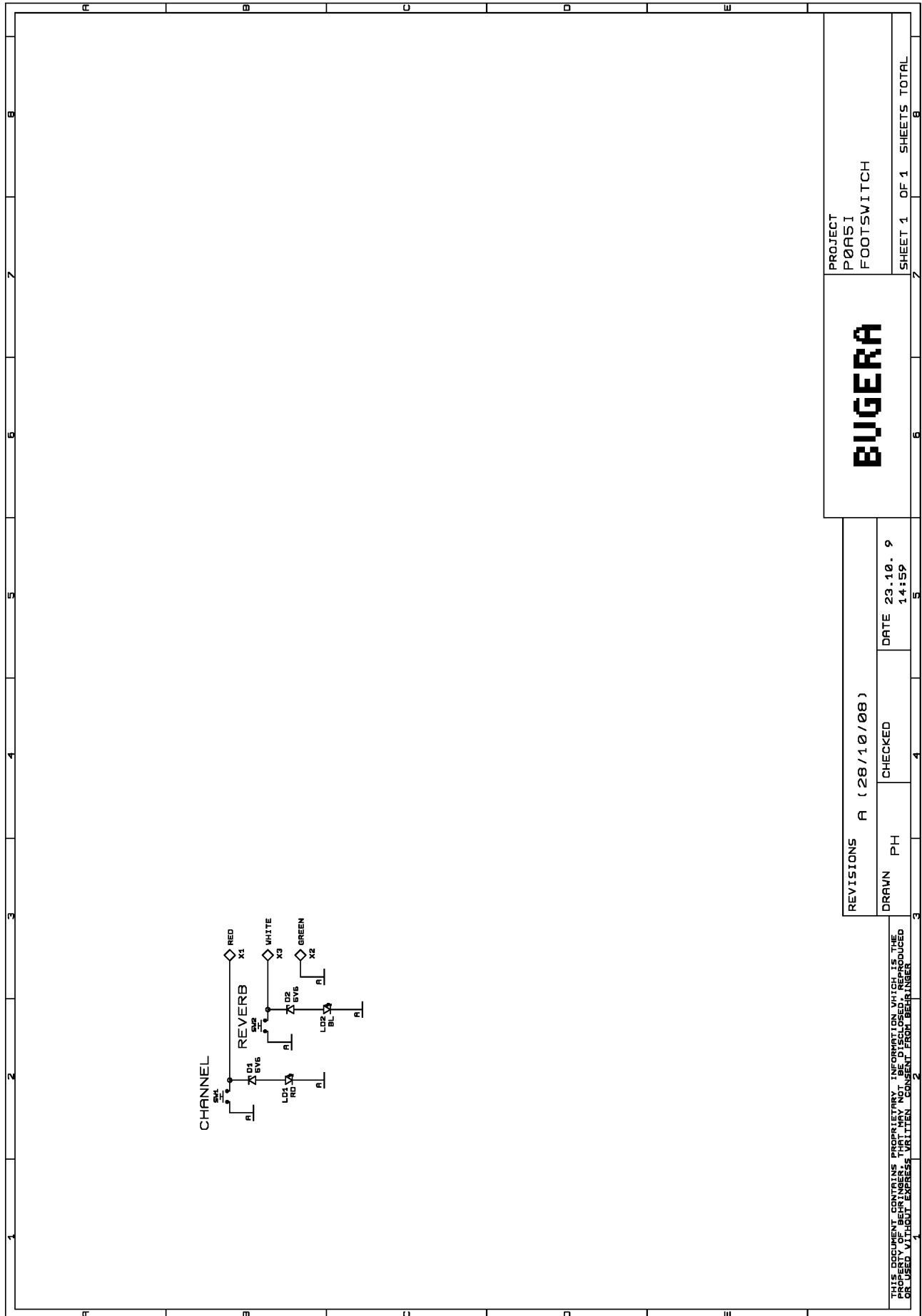
bugera-amps.com

Bugera

G5 INFINIUM

Specifications

- Hand-built 5-Watt Class-A amplifier driven by ECC83 and 12BH7 tubes
- Revolutionary INFINIUM Tube Life Multiplier technology:
 - Extends the life of your amplifier's expensive power tubes up to 20 times
 - Provides incredible reliability and consistent tone over the complete lifespan of your tubes
 - Monitors performance of the power tube continuously and displays defective tube to allow for easy replacement
- Revolutionary MORPH EQ to seamlessly sweep between USA and British EQ-style tone
- Amazing classic push-pull power amp design for vintage tonal character
- High-definition reverb with dedicated Reverb control
- Heavy-duty footswitch for Channel / Reverb selection included
- Built-in 2-way Power Attenuator for ultimate sound at any volume
- Speaker-emulated output with 1 x 12 or 4 x 12 voicing option
- Effects loop with effects level switch
- Modern-style look and feel
- 3-Year Warranty Program*



REVISIONS A (28/10/08)

DATE 23.10.09
14:59

DRAWN PH

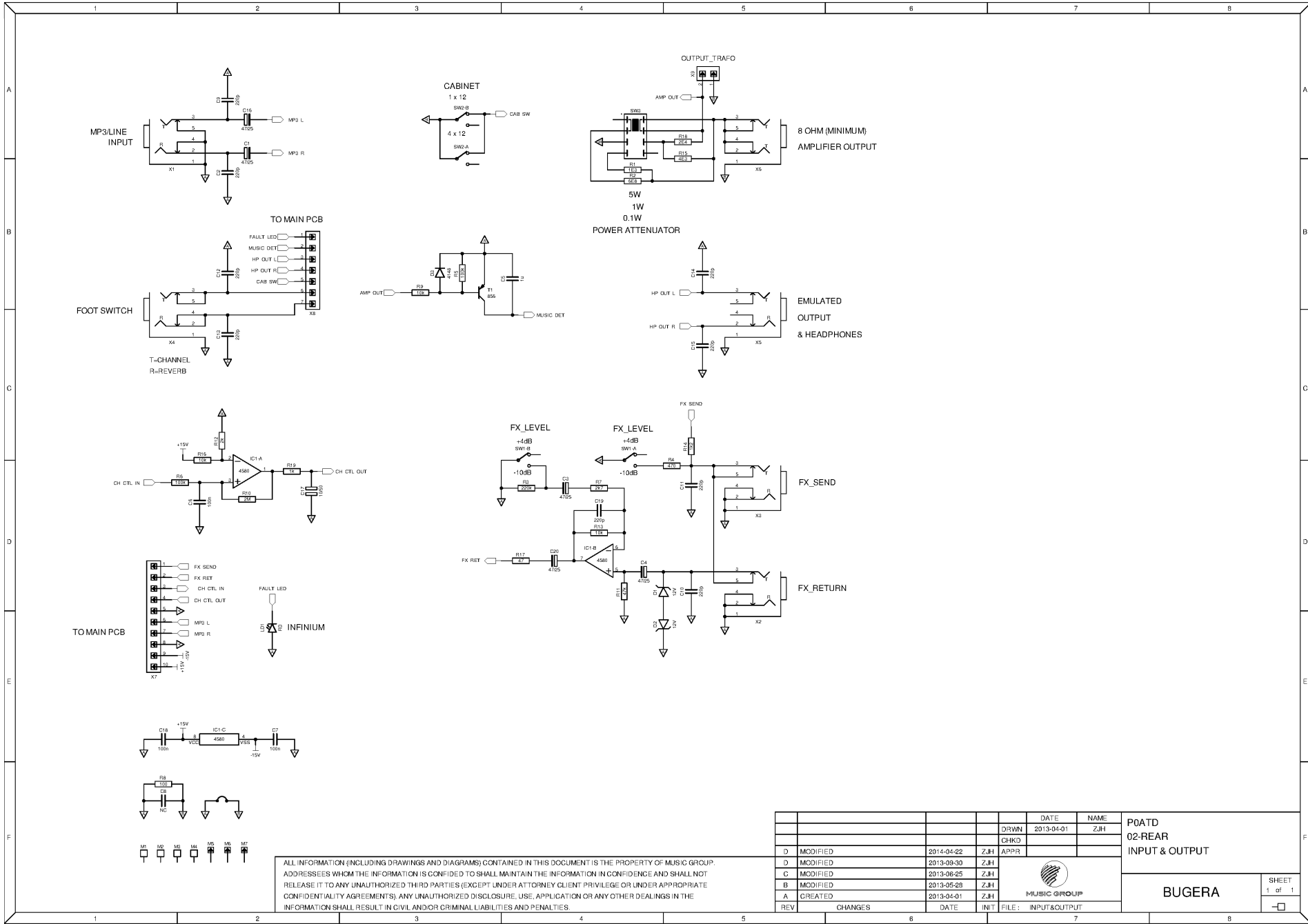
CHECKED

BUGERA

PROJECT
P0RSI
FOOTSWITCH

SHEET 1 OF 1 SHEETS TOTAL

THIS DOCUMENT CONTAINS PROPRIETARY INFORMATION WHICH IS THE PROPERTY OF BEHRINGER. THAT MAY NOT BE DISCLOSED, REPRODUCED OR USED WITHOUT EXPRESS WRITTEN CONSENT FROM BEHRINGER



ALL INFORMATION (INCLUDING DRAWINGS AND DIAGRAMS) CONTAINED IN THIS DOCUMENT IS THE PROPERTY OF MUSIC GROUP. ADDRESSEES WHOM THE INFORMATION IS CONFIDED TO SHALL MAINTAIN THE INFORMATION IN CONFIDENCE AND SHALL NOT RELEASE IT TO ANY UNAUTHORIZED THIRD PARTIES (EXCEPT UNDER ATTORNEY CLIENT PRIVILEGE OR UNDER APPROPRIATE CONFIDENTIALITY AGREEMENTS). ANY UNAUTHORIZED DISCLOSURE, USE, APPLICATION OR ANY OTHER DEALINGS IN THE INFORMATION SHALL RESULT IN CIVIL AND/OR CRIMINAL LIABILITIES AND PENALTIES.

REV	CHANGES	DATE	INIT	FILE:
				INPUT&OUTPUT

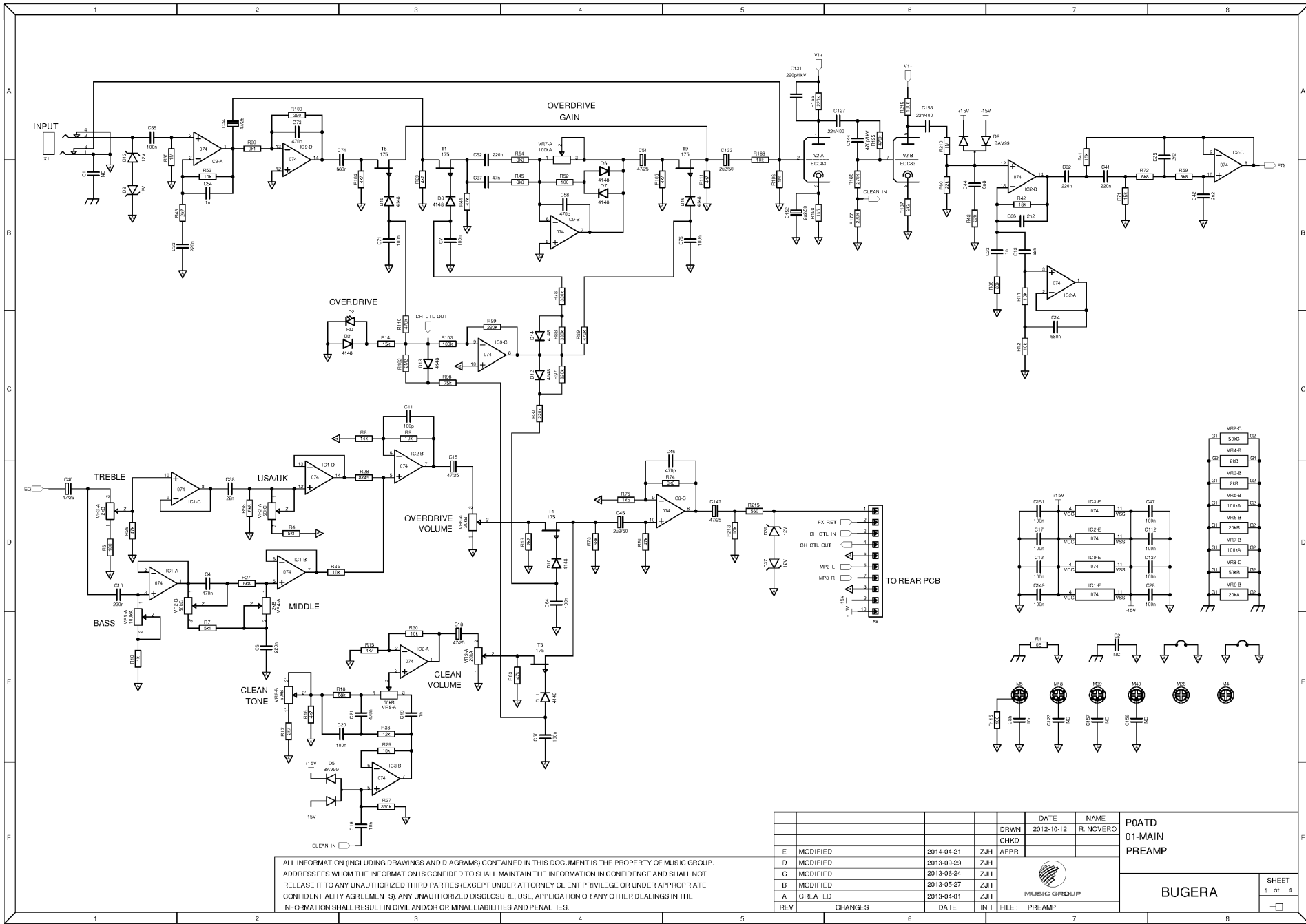
DATE	NAME	REV
2013-04-01	Z.H	
2014-04-22	Z.H	1
2013-09-30	Z.H	2
2013-09-25	Z.H	3
2013-05-28	Z.H	4
2013-04-01	Z.H	5

P0ATD
02-REAR
INPUT & OUTPUT

MUSIC GROUP

BUGERA

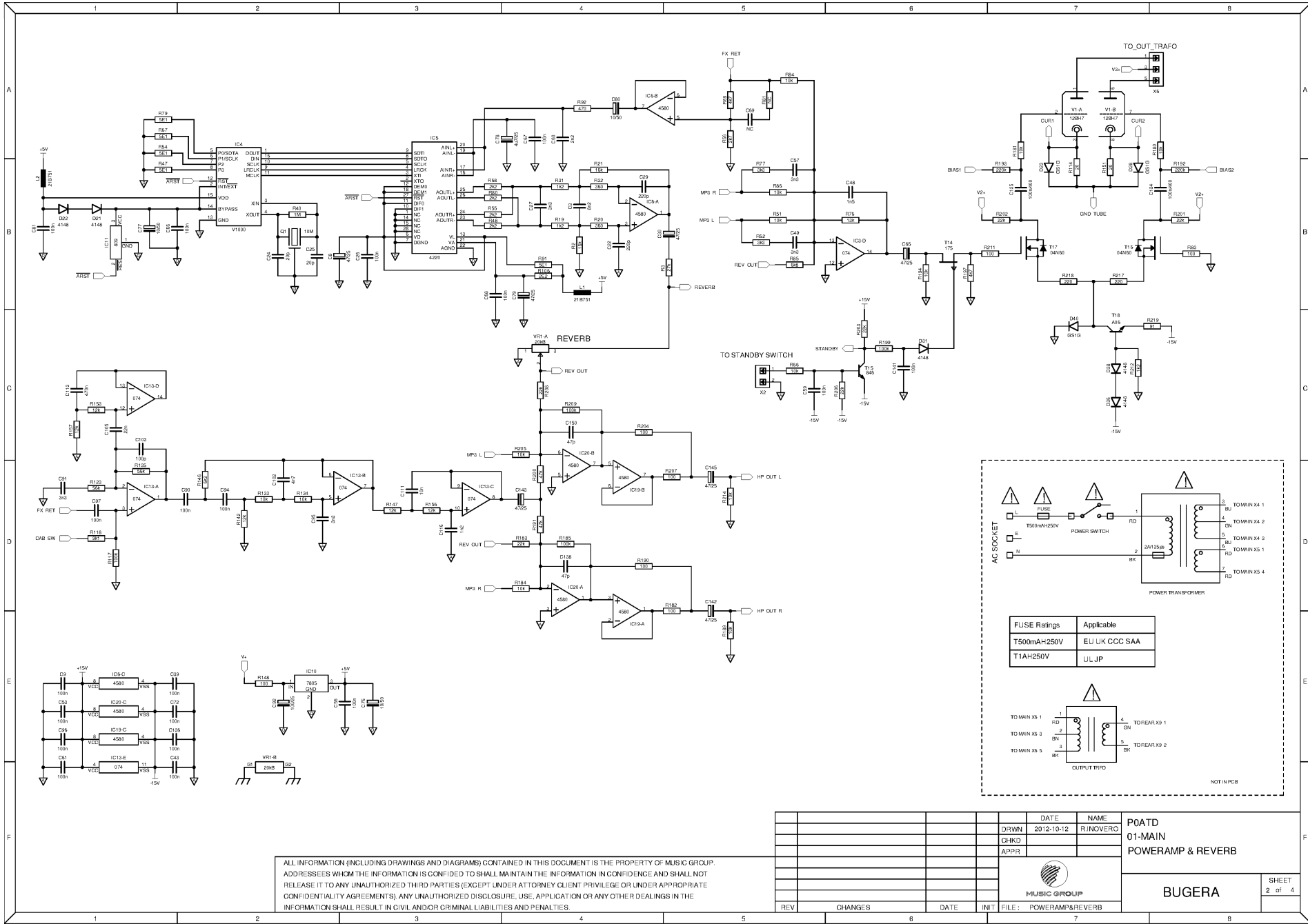
SHEET
1 of 1



ALL INFORMATION (INCLUDING DRAWINGS AND DIAGRAMS) CONTAINED IN THIS DOCUMENT IS THE PROPERTY OF MUSIC GROUP. ADDRESSES WHOM THE INFORMATION IS CONFIDED TO SHALL MAINTAIN THE INFORMATION IN CONFIDENCE AND SHALL NOT RELEASE IT TO ANY UNAUTHORIZED THIRD PARTIES (EXCEPT UNDER ATTORNEY CLIENT PRIVILEGE OR UNDER APPROPRIATE CONFIDENTIALITY AGREEMENTS). ANY UNAUTHORIZED DISCLOSURE, USE, APPLICATION OR ANY OTHER DEALINGS IN THE INFORMATION SHALL RESULT IN CIVIL AND/OR CRIMINAL LIABILITIES AND PENALTIES.

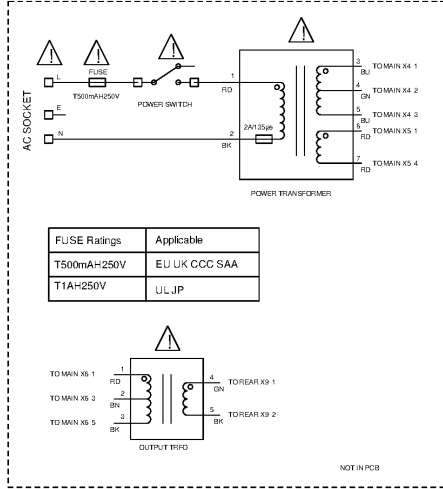
REV	CHANGES	DATE	INIT	FILE:	DATE	NAME
E	MODIFIED	2014-04-21	Z.H	APPR	2012-10-12	R/INOVERO
D	MODIFIED	2013-09-29	Z.H			
C	MODIFIED	2013-08-24	Z.H			
B	MODIFIED	2013-05-27	Z.H			
A	CREATED	2013-04-01	Z.H			

DRWN	2012-10-12	R/INOVERO		POATD
CHKO				01-MAIN
				PREAMP
				BUGERA
				SHEET
				1 of 4



ALL INFORMATION (INCLUDING DRAWINGS AND DIAGRAMS) CONTAINED IN THIS DOCUMENT IS THE PROPERTY OF MUSIC GROUP. ADDRESSEES WHOM THE INFORMATION IS CONFIDED TO SHALL MAINTAIN THE INFORMATION IN CONFIDENCE AND SHALL NOT RELEASE IT TO ANY UNAUTHORIZED THIRD PARTIES (EXCEPT UNDER ATTORNEY CLIENT PRIVILEGE OR UNDER APPROPRIATE CONFIDENTIALITY AGREEMENTS). ANY UNAUTHORIZED DISCLOSURE, USE, APPLICATION OR ANY OTHER DEALINGS IN THE INFORMATION SHALL RESULT IN CIVIL AND/OR CRIMINAL LIABILITIES AND PENALTIES.

REV	CHANGES	DATE	INIT	FILE: POWERAMP&REVERB

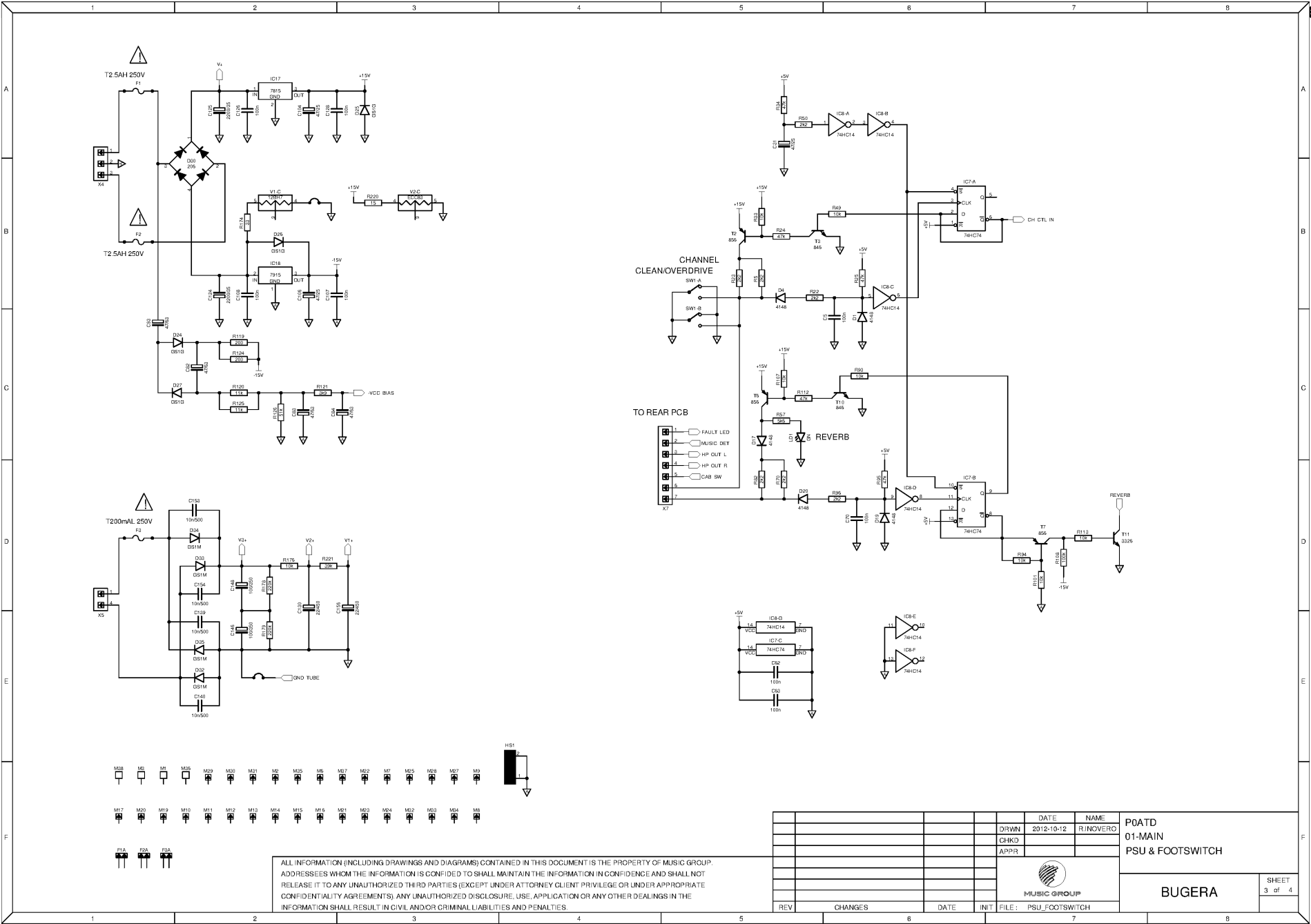


DATE	NAME	POATD 01-MAIN POWERAMP & REVERB
2012-10-12	R/INOVERO	



BUGERA

SHEET
2 of 4

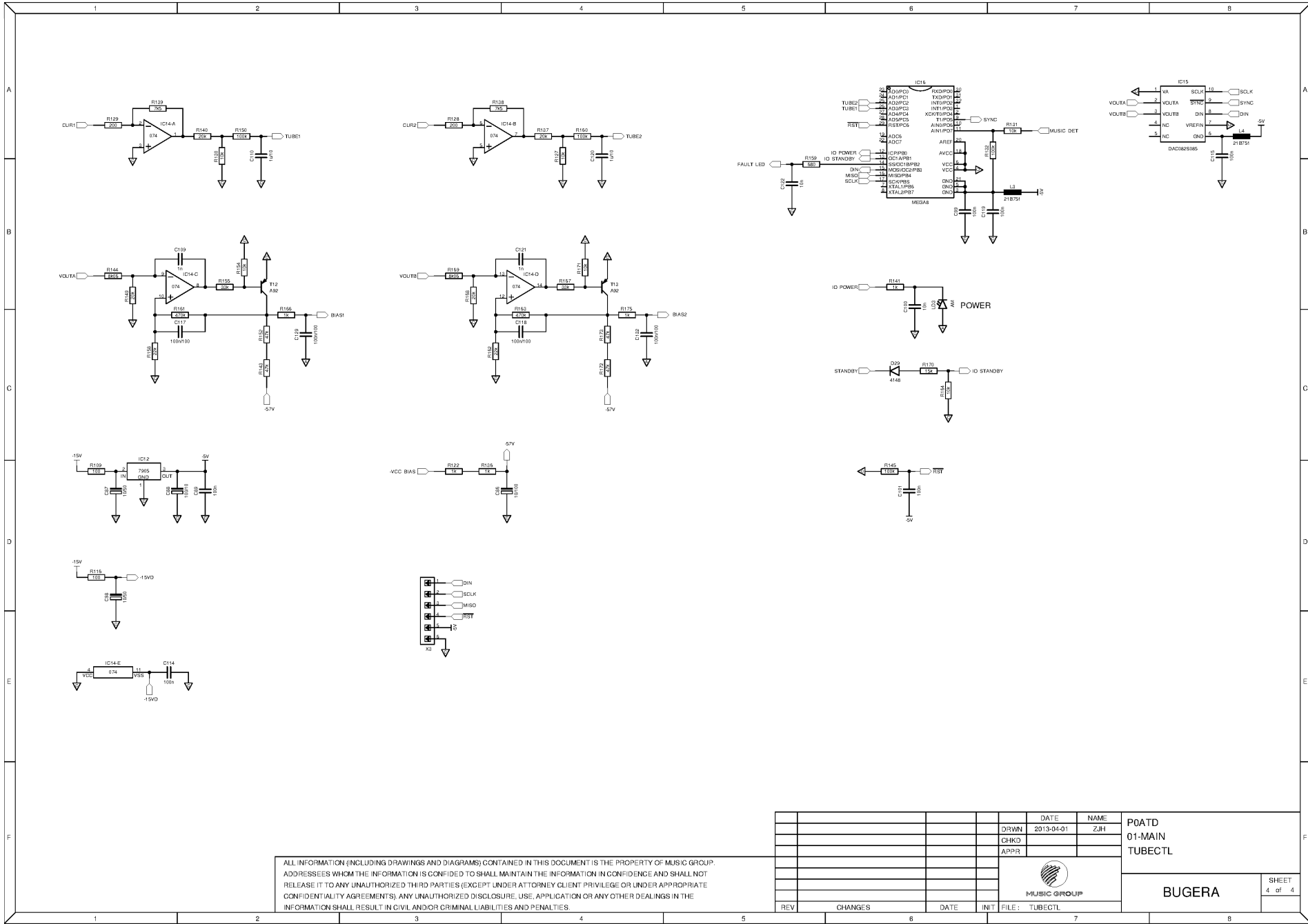


ALL INFORMATION (INCLUDING DRAWINGS AND DIAGRAMS) CONTAINED IN THIS DOCUMENT IS THE PROPERTY OF MUSIC GROUP. ADDRESSEES WHOM THE INFORMATION IS CONFIDED TO SHALL MAINTAIN THE INFORMATION IN CONFIDENCE AND SHALL NOT RELEASE IT TO ANY UNAUTHORIZED THIRD PARTIES (EXCEPT UNDER ATTORNEY CLIENT PRIVILEGE OR UNDER APPROPRIATE CONFIDENTIALITY AGREEMENTS). ANY UNAUTHORIZED DISCLOSURE, USE, APPLICATION OR ANY OTHER DEALINGS IN THE INFORMATION SHALL RESULT IN CIVIL AND/OR CRIMINAL LIABILITIES AND PENALTIES.




REV	CHANGES	DATE	INIT	FILE: PSU_FOOTSWITCH

DATE	2012-10-12	NAME	R. INOVERO
DRWN		NAME	POATD
CHKO		NAME	01-MAIN
APPR		NAME	PSU & FOOTSWITCH
		NAME	BUGERA
SHEET			3 of 4



ALL INFORMATION (INCLUDING DRAWINGS AND DIAGRAMS) CONTAINED IN THIS DOCUMENT IS THE PROPERTY OF MUSIC GROUP. ADDRESSEES WHOM THE INFORMATION IS CONFIDED TO SHALL MAINTAIN THE INFORMATION IN CONFIDENCE AND SHALL NOT RELEASE IT TO ANY UNAUTHORIZED THIRD PARTIES (EXCEPT UNDER ATTORNEY CLIENT PRIVILEGE OR UNDER APPROPRIATE CONFIDENTIALITY AGREEMENTS). ANY UNAUTHORIZED DISCLOSURE, USE, APPLICATION OR ANY OTHER DEALINGS IN THE INFORMATION SHALL RESULT IN CIVIL AND/OR CRIMINAL LIABILITIES AND PENALTIES.

REV	CHANGES	DATE	INIT	FILE: TUBECTL

DATE	NAME	POATD 01-MAIN TUBECTL
2013-04-01	ZJH	
		BUGERA
		SHEET 4 of 4

Hi Pcb Assemblies

	Quantity	Unit	S.Sku	M.Sku	Description	Reference Designators	Notes
1	1.0000	PC		A05-A5I00-07609	PCB ASSEMBLY;POA5I;REV:A;HAND INSERT;NO:828100		
2	1.0000	PC		A05-ATD01-00105	PCB ASSEMBLY;POATD;PCB:1;REV:E;HI;MAIN_BK		
3	1.0000	PC		A05-ATD02-00104	PCB ASSEMBLY;POATD;PCB:2;REV:D;HI;REAR_BK		

Cable

	Quantity	Unit	S.Sku	M.Sku	Description	Reference Designators	Notes
1	0.0700	M		A77-00000-64612	CABLE;STRANDWIRE;AWG:26;UL2468;1.5 MM;UL;PIN1 RED;FLAT RIBBON WIRE;POLES;7;PITCH:1mm5,PVC, 80C 300V		
2	0.0650	M		A77-00000-64619	CABLE;STRANDWIRE;AWG:26;UL2468;1.5 MM;UL;PIN1 RED;FLAT RIBBON WIRE;POLES;10;PITCH:1mm5,PVC, 80C 300V		
3	0.1150	M		A77-00020-72201	RAW WIRE;HOOK-UP;JACKET:PVC;UL1015;CORES:1;600V;105 C;AWG:18;BLACK		
4	0.1150	M		A77-00020-72205	RAW WIRE;HOOK-UP;JACKET:PVC;UL1015;CORES:1;600V;105 C;AWG:18;RED		
5	0.1180	M		A77-00020-72208	RAW WIRE;HOOK-UP;JACKET:PVC;UL1015;CORES:1;600V;105 C;AWG:18;GREEN/YELLOW		
6	0.1660	M		A77-00030-75207	RAW WIRE;HOOK-UP;DOUBLE INSULATED;JACKET:PVC;UL1672;CORES:1;300V;105 C;AWG:18;BLUE		
7	1.0000	PC		A77-10027-92208	CABLE;STRANDWIRE;LENGTH:100mm;ZEE;AWG:18;UL1015;STRIP-TIN/LUG 4mm3;S/T LENGTH:7mm;COLOR:YEL/GRN		
8	1.0000	PC		A77-15037-79207	CABLE;STRANDWIRE;LENGTH:150mm;ZEE;AWG:18;UL1672;S/T LENGTH:7mm;COLOR:BU		
9	1.0000	PC		A81-00000-49939	WIRE HARNESS;AWG:26;UL2468;2 MM;7;COMMON;PIN1 RED;50 MM;P1018-7P;A2006H-7P	[POATD:1: {1.0}(X7)]	
10	1.0000	PC		A81-00000-72541	WIRE HARNESS;50 MM;AWG:26;UL2468;2 MM;10;A2006H-10P;P1018-10P	[POATD:1: {1.0}(X8)]	
11	1.0000	PC		A81-10070-22822	WIRE HARNESS;LENGTH:100mm;ZEE;POLES:2;UL1015;P:3mm96;HOUSING -7mm STRIP/TIN		
12	1.0000	PC	Q89-50031-04316	A89-50031-04316	FOOTSWITCH CABLE;FS112;LENGTH:5000mm;POLES:3;COLOR:BLK;SPEC.NO:04316		
13	1.0000	PC	Q76-15032-55649	A76-15032-55649	CABLE;AC-CORD;CLASS II;W/POLYBAG;JAPAN;LENGTH:150cm;POLES:3;APPROVAL:PSE;JS15S 3 + VCTF 3x0.75mm2 + V1528		(HM, SH)
14	1.0000	PC	Q76-15042-05624	A76-15042-05624	CABLE;AC-CORD;W/POLYBAG;LENGTH:150cm;H05VV-F3G0.75MM2;VERSION;UK;SPEC.NO:05624		(UK)
15	1.0000	PC	Q76-00000-05305	A76-00000-05305	CABLE;AC-CORD;3;BR;1500 MM;Plug + Connector:375+730;H05VV-F 3G0.75		(BR)
16	1.0000	PC	Q76-15212-03119	A76-15212-03119	CABLE;AC-CORD;W/POLYBAG;LENGTH:152cm;H05VV-F 3G 0.75MM2;VERSION;EU;SPEC.NO:03119		(EU)
17	1.0000	PC	Q76-00000-13573	A76-00000-13573	CABLE;AC-CORD;3;AR;1500 MM;Plug + Connector:321+730;H05VV-F 3G0.75		(AR)
18	1.0000	PC	Q76-18050-47490	A76-18050-47490	CABLE;AC-CORD;LENGTH:180cm;VERSION:SAA;PLUG;HE105 ISOLATED;SAA H05VV-F 3x0.75mm2;CONN.HP-3;SPEC.NO:47490		(SAA)
19	1.0000	PC	Q76-15222-06417	A76-15222-06417	CABLE;AC-CORD;W/POLYBAG;LENGTH:152cm;AWG:18;VERSION;UL;SPEC.NO:06417		(UL)

Capacitor

	Quantity	Unit	S.Sku	M.Sku	Description	Reference Designators	Notes
1	1.0000	PC			CAP E;100uF;10V;PITCH:2mm5;5mm x 11mm;VERTICAL 12.7-15-9mm	[P0ATD:1: {1.0}(C88)]	*NOT available in DP
2	15.0000	PC			CAP E;47uF;25V;PITCH:2mm5;5mm x 11mm;VERTICAL 12.7-15-9mm	[P0ATD:1: {10.0}(C15,C18,C34,C40,C51,C65,C142-C143,C145,C147)]	*NOT available in DP
3	1.0000	PC			CAP E;2uF;50V;PITCH:2mm5;5mm x 11mm;VERTICAL 12.7-15-9mm	[P0ATD:1: {1.0}(C45)]	*NOT available in DP
4	1.0000	PC			CAP CER;220pF;1KV;Y5P;10%;PITCH:5mm;DISC;VERTICAL 12.7-15-9mm	[P0ATD:1: {1.0}(C131)]	*NOT available in DP
5	3.0000	PC			CAP CER;1uF;10V;+80%/-20%;SMT603	[P0ATD:1: {2.0}(C110,C120)]	*NOT available in DP
6	2.0000	PC			CAP CER;680nF;16V;X7R;10%;SMT805	[P0ATD:1: {2.0}(C14,C74)]	*NOT available in DP
7	6.0000	PC			CAP CER;220nF;25V;X7R;10%;SMT805	[P0ATD:1: {6.0}(C6,C10,C32-C33,C41,C52)]	*NOT available in DP
8	3.0000	PC			CAP CER;470nF;25V;X7R;10%;SMT805	[P0ATD:1: {3.0}(C4,C21,C113)]	*NOT available in DP
9	2.0000	PC			CAP CER;20pF;50V;20%;SMT603	[P0ATD:1: {2.0}(C24-C25)]	*NOT available in DP
10	2.0000	PC			CAP CER;47pF;50V;5%;SMD603	[P0ATD:1: {2.0}(C138,C150)]	*NOT available in DP
11	2.0000	PC			CAP CER;100pF;50V;5%;COG;SMD603	[P0ATD:1: {2.0}(C11,C103)]	*NOT available in DP
12	11.0000	PC			CAP CER;220pF;50V;10%;SMT603	[P0ATD:1: {2.0}(C22,C29)]	*NOT available in DP
13	3.0000	PC			CAP CER;470pF;50V;COG;5%;SMT603	[P0ATD:1: {3.0}(C46,C58,C73)]	*NOT available in DP
14	5.0000	PC			CAP CER;1nF;50V;COG;5%;SMT603;(MURATA GRM1885C1H102JA01D)	[P0ATD:1: {5.0}(C19,C23,C54,C109,C121)]	*NOT available in DP
15	1.0000	PC			CAP CER;1nF;50V;COG;2%;SMT603;(MURATA GRM1885C1H152GA01D)	[P0ATD:1: {1.0}(C48)]	*NOT available in DP
16	4.0000	PC			CAP CER;2nF;50V;COG;5%;SMT603;(MURATA GRM1885C1H222JA01D)	[P0ATD:1: {4.0}(C35-C36,C42,C60)]	*NOT available in DP
17	1.0000	PC			CAP CER;3nF3;50V;10%;SMT603	[P0ATD:1: {1.0}(C27)]	*NOT available in DP
18	1.0000	PC			CAP CER;4nF7;50V;10%;SMT603	[P0ATD:1: {1.0}(C102)]	*NOT available in DP
19	1.0000	PC			CAP CER;8nF2;50V;10%;SMT603	[P0ATD:1: {1.0}(C3)]	*NOT available in DP
20	5.0000	PC			CAP CER;10nF;50V;10%;SMT603	[P0ATD:1: {5.0}(C16,C85,C100,C111,C122)]	*NOT available in DP
21	1.0000	PC			CAP CER;68nF;50V;5%;SMT603;X7R	[P0ATD:1: {1.0}(C13)]	*NOT available in DP
22	50.0000	PC			CAP CER;100nF;50V;10%;SMT603	[P0ATD:1: {47.0}(C5,C7,C9,C12,C17,C20,C26,C28,C39,C43,C47,C50,C53,C56,C59,C61-C64,C66-C68,C70-C72,C75,C81,C89-C90,C94,C96-C97,C99,C101,C107-C108,C112,C114-C115,C119,C126,C128,C136-C137,C141,C149,C151)]	*NOT available in DP
23	1.0000	PC			CAP CER;1nF2;50V;COG;5%;SMD805	[P0ATD:1: {1.0}(C116)]	*NOT available in DP
24	4.0000	PC			CAP CER;3nF3;50V;COG;1%;SMT805;(MURATA GRM2165C1H332FA01D)	[P0ATD:1: {4.0}(C49,C57,C91,C95)]	*NOT available in DP
25	1.0000	PC			CAP CER;6nF8;50V;5%;SMT805;X7R	[P0ATD:1: {1.0}(C44)]	*NOT available in DP
26	2.0000	PC			CAP CER;22nF;50V;COG;5%;SMD805	[P0ATD:1: {2.0}(C38,C105)]	*NOT available in DP
27	1.0000	PC			CAP CER;47nF;50V;5%;SMT805	[P0ATD:1: {1.0}(C37)]	*NOT available in DP
28	4.0000	PC			CAP CER;100nF;100V;X7R;10%;SMD1206	[P0ATD:1: {4.0}(C117-C118,C129,C132)]	*NOT available in DP
29	1.0000	PC			CAP FILM;100nF;63V;MPF;5%;PITCH:5mm;BOX;VERTICAL 12.7-15-9mm	[P0ATD:1: {1.0}(C55)]	*NOT available in DP
30	1.0000	PC			CAP E;BIPOLAR;10uF;50V;20%;PITCH:2mm5;VERTICAL 12.7-15-9mm	[P0ATD:2: {1.0}(C17)]	*NOT available in DP
31	2.0000	PC			CAP E;22uF;450V;20%;PITCH:5mm;13mm x 25mm;105C;VERTICAL 12.7-15-9mm	[P0ATD:1: {2.0}(C130,C156)]	*NOT available in DP
32	2.0000	PC			CAP E;100uF;350V;20%;PITCH:7mm5;18mm x 32mm;PRECUT:3mm2-0/+0mm2;105C	[P0ATD:1: {2.0}(C146,C148)]	*NOT available in DP
33	1.0000	PC			CAP CER;470pF;1KV;10%;PITCH:5mm;DISC;VERTICAL 12.7-15-9mm	[P0ATD:1: {1.0}(C144)]	*NOT available in DP
34	4.0000	PC			CAP CER;10nF;500V;PITCH:5mm;DISC;VERTICAL 12.7-15-9mm	[P0ATD:1: {4.0}(C139-C140,C153-C154)]	*NOT available in DP
35	2.0000	PC			CAP FILM;22nF;400V;MPF;10%;PITCH:5mm;VERTICAL 12.7-15-9mm	[P0ATD:1: {2.0}(C127,C155)]	*NOT available in DP
36	2.0000	PC			CAP FILM;100nF;400V;MPF;10%;PITCH:5mm;BOX	[P0ATD:1: {2.0}(C134-C135)]	*NOT available in DP

	Quantity	Unit	S.Sku	M.Sku	Description	Reference Designators	Notes
37	1.0000	PC			CAP E;4uF7;25V;PITCH:2mm5;5mm x 11mm;105C;VERTICAL 12.7-15-9mm	[P0ATD:1: {1.0}(C78)]	*NOT available in DP
38	6.0000	PC			CAP E;47uF;25V;PITCH:2mm5;5mm x 11mm;105C;VERTICAL 12.7-15-9mm	[P0ATD:1: {6.0}(C8,C30-C31,C79,C104,C106)]	*NOT available in DP
39	1.0000	PC			CAP E;100uF;25V;PITCH:2mm5;6mm x 11mm;105C;VERTICAL 12.7-15-9mm	[P0ATD:1: {1.0}(C92)]	*NOT available in DP
40	2.0000	PC			CAP E;2uF2;50V;PITCH:2mm5;5mm x 11mm;VERTICAL 12.7-15-9mm	[P0ATD:1: {2.0}(C133,C152)]	*NOT available in DP
41	5.0000	PC			CAP E;10uF;50V;PITCH:2mm5;5mm x 11mm;105C;VERTICAL 12.7-15-9mm	[P0ATD:1: {5.0}(C76-C77,C80,C87,C98)]	*NOT available in DP
42	4.0000	PC			CAP E;47uF;63V;PITCH:2mm5;6mm x 11mm;105C;VERTICAL 12.7-15-9mm	[P0ATD:1: {4.0}(C82-C84,C93)]	*NOT available in DP
43	1.0000	PC			CAP E;10uF;100V;PITCH:2mm5;6mm3 x 11mm;105C;VERTICAL 12.7-15-9mm	[P0ATD:1: {1.0}(C86)]	*NOT available in DP
44	2.0000	PC			CAP E;2mF2;35V;20%;PITCH:7mm5;16mm x 25mm;PRECUT:3mm2-0/+0mm2;105C	[P0ATD:1: {2.0}(C124-C125)]	*NOT available in DP

Circuit Protector

	Quantity	Unit	S.Sku	M.Sku	Description	Reference Designators	Notes
1	6.0000	PC	R21-15201-52000	B21-15201-52000	FUSE CLIP;2 A;V;ZINC PLATING;250V;SERIES;520;FUSE;250 V;PLATING	[P0ATD:1: {6.0}(F1-F3,F1A-F3A)]	
2	1.0000	PC	R22-01512-20001	B22-01512-20001	FUSE;200mA;250V;SLOW BLOW;L-TYPE;5mm x 20mm		For F3
3	2.0000	PC	R22-01513-25001	B22-01513-25001	FUSE;2A5;250V;SLOW BLOW;H-TYPE;5mm x 20mm		For F1,F2
4	1.0000	PC	R22-01512-50001	B22-01512-50001	FUSE;500mA;250V;SLOW BLOW;H-TYPE;5mm x 20mm		(EU, UK, SAA, AR)
5	1.0000	PC	R22-01512-20001	B22-01512-20001	FUSE;200mA;250V;SLOW BLOW;L-TYPE;5mm x 20mm		(EU, UL, UK, SAA, BR, AR, HM)
6	1.0000	PC	R22-01513-10001	B22-01513-10001	FUSE;1A0;250V;SLOW BLOW;H-TYPE;5mm x 20mm		(UL, BR, HM, SH)
7	2.0000	PC	R22-01513-25001	B22-01513-25001	FUSE;2A5;250V;SLOW BLOW;H-TYPE;5mm x 20mm		(EU, UL, UK, SAA, BR, AR, HM)

Coil

	Quantity	Unit	S.Sku	M.Sku	Description	Reference Designators	Notes
1	4.0000	PC	R39-00000-03394	B39-00000-03394	COIL;SMD;BEAD;SMD0805;(BLM21BD7515N1D)	[P0ATD:1: {4.0}(L1-L4)]	

Connector

	Quantity	Unit	S.Sku	M.Sku	Description	Reference Designators	Notes
1	2.0000	PC		B84-22000-06018	CRIMP TERMINAL;PITCH:3mm96;AWG18-22;A3963TOP-2		
2	17.0000	PC	R84-25016-06014	B84-25016-06014	CRIMP TERMINAL;PITCH:2mm0;AWG24-30;A2008TOP-2		
3	1.0000	PC		B84-42050-00155	CRIMP CONNECTOR;LUG;INNER DIA:4mm3;AWG 14-18;WIRE MOUNT;STRAIGHT		

Diode

	Quantity	Unit	S.Sku	M.Sku	Description	Reference Designators	Notes
1	2.0000	PC			DIODE;BAV99;SOT23;SMD	[P0ATD:1: {2.0}(D5,D9)]	*NOT available in DP
2	23.0000	PC			DIODE;LL4148;LL34;TEMIC OR FC	[P0ATD:1: {22.0}(D1-D4,D6-D7,D10-D12,D14-D22,D29,D31,D36,D38)]	*NOT available in DP
3	7.0000	PC			DIODE;GP;GS1G;400V;1A;DO-214AC;SMD	[P0ATD:1: {7.0}(D23-D28,D40)]	*NOT available in DP
4	2.0000	PC			DIODE;ZD5V6;BZX85C5V6;DO41	[P0A5I:00: {2.0}(D1-D2)]	*NOT available in DP
5	6.0000	PC			DIODE;ZMM12V0;SMD1206	[P0ATD:1: {4.0}(D8,D13,D37,D39)]	*NOT available in DP
6	4.0000	PC			DIODE;RECTIFIER;SMD;SMA;1A;1000V;GS1MW	[P0ATD:1: {4.0}(D32-D35)]	*NOT available in DP
7	1.0000	PC	X80-24270-20600	H80-24270-20600	RECTIFIER;BRIDGE;KBP206G	[P0ATD:1: {1.0}(D30)]	

Hardware

	Quantity	Unit	S.Sku	M.Sku	Description	Reference Designators	Notes
1	44.0000	PC			NAIL;CROWN:2mm2;WIDTH:1mm27;THICKNESS:1mm0;LENGTH:25mm;18-GAUGE (0.49*0.40) FINISH;GALVANIZED		*NOT available in DP
2	3.0000	PC			NAIL;STAPLE;CROWN 10mm;LEGLNGTH:6mm;WIDTH:1.2mm;THICKNESS:0mm6;FINISH:GALVANIZED		*NOT available in DP
3	2.0000	G			SCREWLOCK;SPEC.NO:01090		*NOT available in DP
4	2.0000	PC			HEX.NUT;12 MM;2 MM;NICKEL;SILVER;0.75 MM		*NOT available in DP
5	1.0000	PC			HEX.NUT T-NUT;11.11 MM;4 MM;17 MM;NICKEL;SILVER;OCT. NUT;7/16" x G20		*NOT available in DP
6	11.0000	PC			T-NUT;INNER DIA;M4mm;W/PRONG;SURFACE:ZINC/BLACK		*NOT available in DP
7	1.0000	PC			HEX. NUT;INNER DIA;M4mm;SURFACE:ZINC		*NOT available in DP
8	2.0000	PC			HEX. NUT;INNER DIA;M5mm;SURFACE:ZINC		*NOT available in DP
9	8.0000	PC			T-NUT;INNER DIA;M5mm;THICK:8mmW/PRONG;SURFACE:ZINC;COLOR:BLACK		*NOT available in DP
10	9.0000	PC			HEX PIPE-NUT;THREAD-DIA;M9mm;HEIGHT:2mm;SURFACE:ZINC		*NOT available in DP
11	6.0000	PC			OCT. NUT;FOR JACK;3/8in;OCTWRENCH:14.5mm;THICKNESS:3.5mm;SURFACE:NICKEL/SILVER		*NOT available in DP
12	1.0000	PC			HEX. NUT;INNER DIA:13mm;SURFACE:ZINC		*NOT available in DP
13	4.0000	PC	V87-00200-10103	F87-00200-10103	RUBBER BUSHING;I00172P;DST.NO:002;DPT.NO:10103;(I00172P-RUBBER_BUSHING-REVB.dwf)		
14	2.0000	PC		F87-01000-12070	PAD;RUBBER;6mm*2mm5;COLOR:BLK;DWG.NO:12070;(R14-GUITAR-RUBBERPAD-REVB.DWG)		
15	16.0000	PC			SCREW;A;4 MM;13 MM;PAN;ZINC;BLACK;2.84 MM;SC;A4*13mm		*NOT available in DP
16	2.0000	PC			SCREW;M;LEN:12 MM;PAN;ZINC;WHITE;PHILIPS REC.;M5X12		*NOT available in DP
17	2.0000	PC			SCREW;M3mm*3mm;HEAD:PAN WASHER DIA 4mm5;INSERT:PHILIPS REC.;SURFACE:BLACK/ZINC		*NOT available in DP
18	4.0000	PC			SCREW;M3mm*6mm;PITCH:0mm5;HEAD:FLAT;INSERT:PHILIPS REC.;SURFACE:BLACK/ZINC		*NOT available in DP
19	4.0000	PC			SCREW;BT3mm*8mm;HEAD:PAN;INSERT:PHILIPS REC.;SURFACE:ZINC		*NOT available in DP
20	7.0000	PC			SCREW;M03mm*08mm;HEAD:PAN SPRING WASHER;INSERT:PHILIPS REC.;SURFACE:SILVER/ZINC		*NOT available in DP
21	2.0000	PC			SCREW;M3mm*10mm;HEAD:PAN;INSERT:PHILIPS REC.;SURFACE:BLACK/ZINC		*NOT available in DP
22	1.0000	PC			SCREW;M4mm*10mm;HEAD:BINDING;INSERT:PHILIPS REC.;SURFACE:SILVER/ZINC		*NOT available in DP
23	11.0000	PC			SCREW;M4mm*21mm;HEAD:PAN WASHER DIA 9mm;INSERT:PHILIPS REC.;SURFACE:BLACK/ZINC		*NOT available in DP
24	6.0000	PC			SCREW;M4mm*30mm;HEAD:OVAL;INSERT:PHILIPS REC.;SURFACE:BLACK/ZINC		*NOT available in DP
25	4.0000	PC			SCREW;M5mm*22mm;HEAD:OVAL;INSERT:PHILIPS REC.;SURFACE:SILVER/CHROME		*NOT available in DP
26	4.0000	PC			SCREW;M5mm*23mm;HEAD:PAN;INSERT:PHILIPS REC.;SURFACE:BLACK/ZINC		*NOT available in DP
27	1.0000	PC			SILICA GEL;MASS;20g;SPEC.NO:20QB-BB2001-4		*NOT available in DP
28	4.0000	PC			CLIP-ON NUT;SQUARE STYLE;FOR M4 NUTS;PANEL THICKNESS:0mm4 TO 0mm6;SURFACE:ZINC/SILVER;(LAN-XIN LXJ12A)		*NOT available in DP
29	2.0000	PC			SPRING;CYLINDRICAL;F5112;6mm*14mm8;CARBON STEEL;DWG. NO:04288;(R14-FCB1010-SPRING-REVA.DWG)		*NOT available in DP
30	0.1300	M			SHRINKING TUBE;INNER DIA:5mm2;SPEC.NO:16898;		*NOT available in DP

	Quantity	Unit	S.Sku	M.Sku	Description	Reference Designators	Notes
31	6.0000	PC			WASHER;9.7 MM;16 MM;NICKEL;WHITE;WASHER;FLAT;DIM:9.7*16*0.5mm;NIC		*NOT available in DP
32	1.0000	PC			WASHER;10.9 MM;0.5 MM;18 MM;NICKEL;SILVER;PLAIN		*NOT available in DP
33	2.0000	PC			WASHER;PLAIN;INNER DIA:3mm;OUTER DIA:8mm;THICKNESS:1mm;PLATING:NICKEL		*NOT available in DP
34	4.0000	PC			WASHER;PLAIN;INNER DIA:5mm1;OUTER DIA:11mm;THICKNESS:1mm;PLATING:NICKEL		*NOT available in DP
35	9.0000	PC			WASHER;PLAIN;INNER DIA:9mm6;OUTER DIA:13mm;THICKNESS:0mm5;PLATING:NICKEL		*NOT available in DP
36	4.0000	PC			WASHER;PLAIN;INNER DIA:12mm3;OUTER DIA:16mm6;THICKNESS:0mm5;SURFACE:NICKEL/SILVER		*NOT available in DP
37	1.0000	PC			WASHER;SPRING;INNER DIA:14mm5;OUTER DIA:17mm;THICKNESS:1mm5;PLATING:NICKEL		*NOT available in DP
38	2.0000	PC			WASHER;EXTERNAL TEETH;INNER DIA:4mm;OUTER DIA:7mm;THICKNESS:1mm7		*NOT available in DP
39	6.0000	PC			WASHER;DONUT;INNER DIA:5mm5;OUTER DIA:16mm;THICKNESS:2mm6;PLATING:BLACK/ZINC		*NOT available in DP
40	1.0000	PC		F97-17000-04145	SHEET;FOAM;FOOTSWITCH;FS112;W/ DURABLE ADHESIVE;DWG.NO:04145;(R14-GX112-FOAM-REVA.DWG)		
41	1.0000	PC			BUSHING;CABLE;FS112;NYLON;DWG.NO:04141;(R14-CABLEBUSHING-REVA.DWG)		*NOT available in DP

Ic

	Quantity	Unit	S.Sku	M.Sku	Description	Reference Designators	Notes
1	1.0000	PC		C60-00000-79902	IC;AD/DA;MSOP;10;DAC082S085	[P0ATD:1: {1.0}(IC15)]	
2	1.0000	PC	560-54422-00528	C60-22422-00528	IC;AD/DA;V4220M;SSOP	[P0ATD:1: {1.0}(IC5)]	
3	4.0000	PC		C73-00000-29050	IC;OPAMP;SMD;SOP;8;BA4580RF	[P0ATD:1: {3.0}(IC6,IC19-IC20)]	
4	6.0000	PC	573-58007-40514	C73-31007-40514	IC;OPAMP OPAMP;TL074;SOP;	[P0ATD:1: {6.0}(IC1-IC3,IC9,IC13-IC14)]	
5	1.0000	PC		C77-00000-28276	IC;VOLT.REGULATOR;TO220;LM7905L	[P0ATD:1: {1.0}(IC12)]	
6	1.0000	PC	S77-05107-03010	C77-05107-03010	IC;VOLT.REGULATOR;7805;TO220	[P0ATD:1: {1.0}(IC10)]	
7	1.0000	PC	S77-15107-03010	C77-15107-03010	IC;VOLT.REGULATOR;7815;TO220	[P0ATD:1: {1.0}(IC17)]	
8	1.0000	PC	S77-15207-03015	C77-15207-03015	IC;VOLT.REGULATOR;BRAND:ST MICROELECTRONICS;L7915;TO220	[P0ATD:1: {1.0}(IC18)]	
9	1.0000	PC	T12-00100-02216	D12-00100-02217	IC;DIG COMM.;EUROTEC;V1000;SOIC	[P0ATD:1: {1.0}(IC4)]	
10	1.0000	PC	T22-31001-40514	D22-31001-40514	IC;LOGIC;74HC14;SOP	[P0ATD:1: {1.0}(IC8)]	
11	1.0000	PC	T22-31007-40514	D22-31007-40514	IC;LOGIC;74HC74;SOP	[P0ATD:1: {1.0}(IC7)]	
12	1.0000	PC	T24-18081-61832	D24-18081-61832	IC;MICROCONTROLLER;ATMEGA8A-AU;SMD;TQFP32	[P0ATD:1: {1.0}(IC16)]	
13	1.0000	PC	T24-48030-02803	D24-48030-02803	IC;MICROCONTROLLER;MAX809STRG;Vth:2.93V;SOT	[P0ATD:1: {1.0}(IC11)]	

Led

	Quantity	Unit	S.Sku	M.Sku	Description	Reference Designators	Notes
1	1.0000	PC		E10-00000-47170	LED;RED;LEN:RED;DIFFUSE;HB;3MM ROUND;ANGLE;BASE:4.5X5.08X6	[P0ATD:1: {1.0}(LD2)]	
2	1.0000	PC		E10-00000-79899	LED NB;3mm0 ROUND;GREEN;DIFFUSE;NORMAL BRIGHT;ANGLE;BASE:4.5X5.08X6	[P0ATD:1: {1.0}(LD1)]	
3	1.0000	PC	U10-51610-05431	E10-51610-05431	LED HIB;3mm ROUND;AMBER;VERTICAL;NO RING;WAVELENGTH:610 nm	[P0ATD:1: {1.0}(LD3)]	
4	1.0000	PC	U10-53565-00588	E10-53565-00588	LED HIB;3mm ROUND;GREEN	[P0A5I:00: {1.0}(LD2)]	
5	2.0000	PC	U12-57630-00590	E12-57630-00590	LED;3mm ROUND;RD	[P0A5I:00: {1.0}(LD1)]	

Metal Part

	Quantity	Unit	S.Sku	M.Sku	Description	Reference Designators	Notes
1	1.0000	PC		A62-07400-18216	METAL;BOTTOM;FS112G;BLACK;DWG.NO:18216;(R14-GX-FOOTBOTTOM-REVC.DWG)		
2	1.0000	PC		A63-00000-85558	METAL;HEATSINK;POATD;ALUMINIUM;EXTRUSION, CUTTING;POATD-HEATSINK-REVA	[POATD:1: {1.0}(HS1)]	
3	1.0000	PC		A65-00000-80908	METAL;GRILL;POATD;SECC 1.8mm;BLANKING + PUNCHING + BENDING;POWDER COATING;BLACK		
4	8.0000	PC		A65-02000-04400	METAL;CORNER;GX112;DWG.NO:04400;(R20-GX112-CORNER-REVB.DWG)		
5	2.0000	PC		A65-15000-04134	METAL;SPACER;LENGTH:4mm4;HOLE DIA:3mm5;DWG.NO:04134;(R14-FS112-SPACER-REVA.DWG)		
6	1.0000	PC		J02-00000-82015	METAL;CASE;POATD;SECC 1.2mm;BLANKING + PUNCHING + BENDING;PAINTING NORMAL;ANTHRACITE, METALLIC;A001		
7	1.0000	PC		J02-01400-18217	METAL;COVER;POA5;BLACK;PRINTED;FST.NO:014;DPT.NO:18217;(GX-FOOTPEDALCOVER-REVD.DWG)		

Plastic Part

	Quantity	Unit	S.Sku	M.Sku	Description	Reference Designators	Notes
1	4.0000	PC	W51-00100-14745	G51-00100-14745	PLASTIC;RUBFOOT;P0738;DST.NO:001;DPT.NO:14745;(P0738-RUBFOOT-REVA.DWG)		
2	2.0000	PC		G52-00100-07083	PLASTIC;SWITCH KNOB;P0491;ABS PA757;MOULDING;YS1284A;BLACK;SWITCH;I00168P;DST.NO:001;DPT.NO:07083;(I00168P-SWITCH_KNOB_18MM-REVA.DWG)		
3	1.0000	PC	W52-00100-14962	G52-00100-14962	PLASTIC;PUSH KNOB;I00499P;BLACK CHROME;DST.NO:001;DPT.NO:14962;(I00499P-PUSH_KNOB-REVA)		
4	2.0000	PC	W52-80500-09382	G52-80500-09382	KNOB;SWITCH;FOOTPEDALS;BLACK;DWG.NO:09382;(R14-GUITAR-SWITCHKNOB1-REVA.DWG)		
5	1.0000	PC		G53-00000-04668	PLASTIC;JEWEL;P0404;AMBER TRANSLUCENT		
6	2.0000	PC		G53-00000-12925	PLASTIC;P0806;RUBBER 70degC;GROMMET;BLACK;12AX7;REV.C		
7	1.0000	PC		G53-00000-83275	PLASTIC;STRIP;POATD;HDPE;EXTRUSION, CUTTING;GLOSSY;SILVER;POATD-STRIP		
8	1.0000	PC	W53-40900-05211	G53-40900-05211	LEATHER;HANDLE;P0738;BLACK LEATHER+SILVER METAL		
9	9.0000	PC		G58-00000-80920	PLASTIC;KNOB;POATD;ABS;INJECTION;PAINTING NORMAL;BLACK CHROME;POT-KNOB		
10	1.0000	PC	W58-00200-09291	G58-00200-09291	PLASTIC;BUGERA LOGO;I00315P;BLACK CHROME;DST.NO:002;DPT.NO:09291;(I00315P-BUGERA_LOGO-REVB.DWG)		
11	2.0000	PC		G58-00200-11129	PLASTIC;LED SPACER;MOULDING;BLACK;NO:8LENGTH:9MM;DST.NO:002;DPT.NO:11129;(LED-SPACER9MM.REVB.DWG)		
12	1.0000	PC		G58-00300-08619	PLASTIC;SPACER;PC;MOULDING;BLACK;3MM VERTICAL;DST.NO:003;DPT.NO:08619;(I00129P-LED_SPACER-REVC.DWG)		
13	1.0000	PC		G58-00300-11128	PLASTIC;SPACER;P0062;MOULDING;BLACK;LED SPACER2;DI100 DSP110;DST.NO:003;DPT.NO:11128;(R14-DI100-LEDSPACER2-REVC.DWG)		
14	2.0000	PC		G58-53000-25624	PLASTIC;BASE;P0089;ABS;YS1285A;BLACK;FS112 FS114 FCB1010;COLOR:BLK;DWG.NO:25624;(R14-GUITAR-SWITCHBASE1-REVB.DWG)		

Plug Socket

	Quantity	Unit	S.Sku	M.Sku	Description	Reference Designators	Notes
1	1.0000	PC	W64-14152-03710	G64-14152-03710	PLUG;PCB;PLUG;JACK PHONE;STRAIGHTPCB LUGS;MONO 6mm3;DUAL TIP/NO RING CONTACTS;NO NUT/WASHER;METAL BUSHING;(CHUNSHENG PJ-622HA-EP)	[P0ATD:2: {1.0}(X6)]	
2	5.0000	PC	W64-16212-00005	G64-16212-00005	PLUG;PCB;PLUG;JACK STEREO 6mm3;STRAIGHTPCB LUGS;NO NUT/WASHER;METAL BUSHING;(CHUNSHENG PJ-632HA)	[P0ATD:2: {5.0}(X1-X5)]	
3	1.0000	PC		G64-25272-06052	PLUG;JACK STEREO 6mm3;ANGLED;W/O MET.RNG.;W/O NUT ONLY;(CHUNG YEN HSJ-064-20-P)	[P0ATD:1: {1.0}(X1)]	
4	1.0000	PC	W67-20103-01824	G67-20103-01824	PLUG;AC SOCK;W FUSE;SNAP-IN;COLOR:BLK;POLES:03;(RONG-FENG RF-2004)		
5	1.0000	PC		G71-00000-03961	WAFER;V1000-148,0.35um;LOGIC-3.3V(1P4M)		
6	1.0000	PC		G71-00000-80079	WAFER;4;ROWS:1;STRAIGHT;3.96 MM;NO PIN2 AND PIN3	[P0ATD:1: {1.0}(X5)]	
7	1.0000	PC	W71-23107-04746	G71-23107-04746	WAFER;POLES:7;STRAIGHT;PITCH:2 mm;1 ROW;TYPE:A2006WV-7P	[P0ATD:2: {1.0}(X8)]	
8	1.0000	PC	W71-23110-04749	G71-23110-04749	WAFER;POLES:10;STRAIGHT;PITCH:2 mm;1 ROW;TYPE:A2006WV-10P	[P0ATD:2: {1.0}(X7)]	
9	2.0000	PC		G71-27102-04759	WAFER;POLES:2;STRAIGHT;PITCH:3.96 mm;1 ROW;JS1120-02	[P0ATD:1: {1.0}(X2)]	
10	1.0000	PC		G71-27103-04449	WAFER;POLES:3;STRAIGHT;PITCH:3.96 mm;1 ROW;JS1120-03	[P0ATD:1: {1.0}(X4)]	
11	1.0000	PC		G71-27105-04760	WAFER;POLES:5;STRAIGHT;PITCH:3.96 mm;1 ROW;JS1120-05-S1;W/O PIN2 AND PIN4	[P0ATD:1: {1.0}(X6)]	
12	1.0000	PC	W71-43107-05999	G71-43107-05999	PLUG;HOUSING;POLES:7;ROWS:1;STRAIGHT;PITCH:2mm;TYP:A2008		
13	1.0000	PC	W71-43110-06002	G71-43110-06002	PLUG;HOUSING;POLES:10;ROWS:1;STRAIGHT;PITCH:2mm;TYP:A2008		
14	1.0000	PC		G71-47102-05844	PLUG;HOUSING;A3963H02;PITCH:3mm96;POLES:2;ROWS:1;UL94-V0;STRAIGHT		
15	17.0000	PC		G71-80000-05663	BD.-IN-CONN;TERMINAL;SAN-002T-0.8A		
16	1.0000	PC		G71-83107-05651	BOARD-IN-CONNECTOR;POLES:7;ROWS:1;STRAIGHT;PITCH:2 mm		
17	1.0000	PC		G71-83110-05654	BOARD-IN-CONNECTOR;POLES:10;ROWS:1;STRAIGHT;PITCH:2 mm		
18	2.0000	PC	W73-28509-01218	G73-28509-01218	SOCKET;POLES:09;VACUUM TUBE;FOR 12AX7;CERAMIC;COLOR:WHT;W/ SOLDER LUGS;VERSION1;TUS9PC9C	[P0ATD:1: {2.0}(V1-V2)]	

Power Supply

	Quantity	Unit	S.Sku	M.Sku	Description	Reference Designators	Notes
1	1.0000	PC		J60-00000-79991	TRAFO;AUDIO I/O;P0ATD		
2	1.0000	PC		J65-00000-79988	TRAFO;EI POWER;P0ATD;EU 230 OR 240;EU		(EU, UK, SAA, AR)
3	1.0000	PC		J65-00000-85718	TRAFO;EI POWER;P0ATD;JP 100;JP		(HM, SH)
4	1.0000	PC		J65-00000-80076	TRAFO;EI POWER;P0ATD;UL 120;UL		(UL, BR)

Quarz

	Quantity	Unit	S.Sku	M.Sku	Description	Reference Designators	Notes
1	1.0000	PC	X65-40471-00000	H65-40471-00000	QUARZ;RESONATOR;10MHz;HC49/S;FUNDAMENTAL	[P0ATD:1: {1.0}(Q1)]	

Resistor

	Quantity	Unit	S.Sku	M.Sku	Description	Reference Designators	Notes
1	1.0000	PC			RESISTOR;CARBON;13Kohm;5%;0W063;SMD603	[P0ATD:1: {1.0}(R76)]	*NOT available in DP
2	1.0000	PC			RESISTOR;CARBON;0ohm;5%;0W063;SMD603	[P0ATD:1: {1.0}(R1)]	*NOT available in DP
3	1.0000	PC			RESISTOR;CARBON;2ohm2;5%;0W063;SMD603	[P0ATD:1: {1.0}(R106)]	*NOT available in DP
4	5.0000	PC			RESISTOR;CARBON;5ohm1;5%;0W063;SMD603	[P0ATD:1: {5.0}(R47,R54,R67,R79,R91)]	*NOT available in DP
5	1.0000	PC			RESISTOR;CARBON;47ohm;5%;0W063;SMD603	[P0ATD:2: {1.0}(R17)]	*NOT available in DP
6	8.0000	PC			RESISTOR;CARBON;100ohm;5%;0W063;SMD603	[P0ATD:1: {7.0}(R6,R52,R115,R182,R190,R204,R207)]	*NOT available in DP
7	2.0000	PC			RESISTOR;CARBON;360ohm;5%;0W063;SMD603	[P0ATD:1: {2.0}(R20,R32)]	*NOT available in DP
8	1.0000	PC			RESISTOR;CARBON;390ohm;5%;0W063;SMD603	[P0ATD:1: {1.0}(R100)]	*NOT available in DP
9	2.0000	PC			RESISTOR;CARBON;470ohm;5%;0W063;SMD603	[P0ATD:1: {1.0}(R92)]	*NOT available in DP
10	1.0000	PC			RESISTOR;CARBON;560ohm;5%;0W063;SMD603	[P0ATD:1: {1.0}(R215)]	*NOT available in DP
11	1.0000	PC			RESISTOR;CARBON;680ohm;5%;0W063;SMD603	[P0ATD:1: {1.0}(R159)]	*NOT available in DP
12	3.0000	PC			RESISTOR;CARBON;1Kohm;5%;0W063;SMD603	[P0ATD:1: {2.0}(R10,R141)]	*NOT available in DP
13	4.0000	PC			RESISTOR;CARBON;1Kohm2;5%;0W063;SMD603	[P0ATD:1: {3.0}(R19,R31,R212)]	*NOT available in DP
14	1.0000	PC			RESISTOR;CARBON;1Kohm5;5%;0W063;SMD603	[P0ATD:1: {1.0}(R75)]	*NOT available in DP
15	1.0000	PC			RESISTOR;CARBON;2Kohm;5%;0W063;SMD603	[P0ATD:2: {1.0}(R12)]	*NOT available in DP
16	8.0000	PC			RESISTOR;CARBON;2Kohm2;5%;0W063;SMD603	[P0ATD:1: {8.0}(R13,R22,R48,R50,R55,R68,R80,R96)]	*NOT available in DP
17	4.0000	PC			RESISTOR;CARBON;2Kohm7;5%;0W063;SMD603	[P0ATD:1: {3.0}(R17,R46,R56)]	*NOT available in DP
18	5.0000	PC			RESISTOR;CARBON;3Kohm3;5%;0W063;SMD603	[P0ATD:1: {5.0}(R45,R62,R64,R74,R77)]	*NOT available in DP
19	8.0000	PC			RESISTOR;CARBON;4Kohm7;5%;0W063;SMD603	[P0ATD:1: {8.0}(R15-R16,R39,R69,R104-R105,R111,R197)]	*NOT available in DP
20	2.0000	PC			RESISTOR;CARBON;5Kohm1;5%;0W063;SMD603	[P0ATD:1: {2.0}(R4,R7)]	*NOT available in DP
21	1.0000	PC			RESISTOR;CARBON;5Kohm6;5%;0W063;SMD603	[P0ATD:1: {1.0}(R57)]	*NOT available in DP
22	1.0000	PC			RESISTOR;CARBON;6Kohm2;5%;0W063;SMD603	[P0ATD:1: {1.0}(R146)]	*NOT available in DP
23	5.0000	PC			RESISTOR;CARBON;6Kohm8;5%;0W063;SMD603	[P0ATD:1: {5.0}(R27,R58-R59,R72,R85)]	*NOT available in DP
24	2.0000	PC			RESISTOR;CARBON;9Kohm1;5%;0W063;SMD603	[P0ATD:1: {2.0}(R90,R118)]	*NOT available in DP
25	32.0000	PC			RESISTOR;CARBON;10Kohm;5%;0W063;SMD603	[P0ATD:1: {29.0}(R9,R11-R12,R29-R30,R33,R35,R49,R51,R53,R66,R84,R86,R93-R94,R101,R107,R113,R133-R134,R154,R164,R171,R184,R189,R194,R205,R213-R214)]	*NOT available in DP
26	6.0000	PC			RESISTOR;CARBON;12Kohm;5%;0W063;SMD603	[P0ATD:1: {6.0}(R38,R142,R147,R153,R156-R157)]	*NOT available in DP
27	1.0000	PC			RESISTOR;CARBON;14Kohm;1%;0W063;SMD603	[P0ATD:1: {1.0}(R8)]	*NOT available in DP
28	4.0000	PC			RESISTOR;CARBON;15Kohm;5%;0W063;SMD603	[P0ATD:1: {4.0}(R14,R41,R71,R170)]	*NOT available in DP
29	2.0000	PC			RESISTOR;CARBON;16Kohm;5%;0W063;SMD603	[P0ATD:1: {2.0}(R2,R21)]	*NOT available in DP
30	1.0000	PC			RESISTOR;CARBON;18Kohm;5%;0W063;SMD603	[P0ATD:1: {1.0}(R42)]	*NOT available in DP
31	6.0000	PC			RESISTOR;CARBON;22Kohm;5%;0W063;SMD603	[P0ATD:1: {6.0}(R43,R60,R183,R203,R206,R208)]	*NOT available in DP
32	1.0000	PC			RESISTOR;CARBON;27Kohm;5%;0W063;SMD603	[P0ATD:1: {1.0}(R3)]	*NOT available in DP
33	3.0000	PC			RESISTOR;CARBON;33Kohm;5%;0W063;SMD603	[P0ATD:1: {3.0}(R36,R155,R167)]	*NOT available in DP
34	12.0000	PC			RESISTOR;CARBON;47Kohm;5%;0W063;SMD603	[P0ATD:1: {11.0}(R24-R26,R34,R44,R61,R63,R95,R112,R191,R200)]	*NOT available in DP
35	2.0000	PC			RESISTOR;CARBON;56Kohm;5%;0W063;SMD603	[P0ATD:1: {2.0}(R123,R135)]	*NOT available in DP
36	2.0000	PC			RESISTOR;CARBON;68Kohm;5%;0W063;SMD603	[P0ATD:1: {2.0}(R18,R73)]	*NOT available in DP
37	1.0000	PC			RESISTOR;CARBON;75Kohm;5%;0W063;SMD603	[P0ATD:1: {1.0}(R98)]	*NOT available in DP
38	12.0000	PC			RESISTOR;CARBON;100Kohm;5%;0W063;SMD603	[P0ATD:1: {10.0}(R103,R108,R117,R132,R145,R150,R160,R185,R199,R209)]	*NOT available in DP
39	3.0000	PC			RESISTOR;CARBON;220Kohm;5%;0W063;SMD603	[P0ATD:1: {2.0}(R87,R99)]	*NOT available in DP
40	3.0000	PC			RESISTOR;CARBON;330Kohm;5%;0W063;SMD603	[P0ATD:1: {3.0}(R37,R78,R88)]	*NOT available in DP
41	2.0000	PC			RESISTOR;CARBON;470Kohm;5%;0W063;SMD603	[P0ATD:1: {2.0}(R89,R110)]	*NOT available in DP

	Quantity	Unit	S.Sku	M.Sku	Description	Reference Designators	Notes
42	1.0000	PC			RESISTOR;CARBON;820Kohm;5%;0W063;SMD603	[POATD:1: {1.0}(R97)]	*NOT available in DP
43	3.0000	PC			RESISTOR;CARBON;1Mohm;5%;0W063;SMD603	[POATD:1: {3.0}(R40,R65,R210)]	*NOT available in DP
44	1.0000	PC			RESISTOR;CARBON;2Mohm;5%;0W063;SMD603	[POATD:2: {1.0}(R10)]	*NOT available in DP
45	1.0000	PC			RESISTOR;CARBON;2Mohm2;5%;0W063;SMD603	[POATD:1: {1.0}(R102)]	*NOT available in DP
46	1.0000	PC			RESISTOR;METAL;91ohm;1%;0W063;SMD603	[POATD:1: {1.0}(R219)]	*NOT available in DP
47	2.0000	PC			RESISTOR;METAL;200ohm;1%;0W063;SMD603	[POATD:1: {2.0}(R128-R129)]	*NOT available in DP
48	2.0000	PC			RESISTOR;METAL;7Kohm50;1%;0W063;SMD603	[POATD:1: {2.0}(R138-R139)]	*NOT available in DP
49	2.0000	PC			RESISTOR;METAL;8Kohm06;1%;0W063;SMD603	[POATD:1: {2.0}(R144,R169)]	*NOT available in DP
50	1.0000	PC			RESISTOR;METAL;8Kohm45;1%;0W063;SMD603	[POATD:1: {1.0}(R28)]	*NOT available in DP
51	3.0000	PC			RESISTOR;METAL;10Kohm;1%;0W063;SMD603	[POATD:1: {3.0}(R127,R130-R131)]	*NOT available in DP
52	4.0000	PC			RESISTOR;METAL;20Kohm;1%;0W063;SMD603	[POATD:1: {4.0}(R137,R140,R149,R168)]	*NOT available in DP
53	2.0000	PC			RESISTOR;METAL;22Kohm;1%;0W063;SMD603	[POATD:1: {2.0}(R158,R162)]	*NOT available in DP
54	2.0000	PC			RESISTOR;METAL;470Kohm;1%;0W063;SMD603	[POATD:1: {2.0}(R161,R163)]	*NOT available in DP
55	3.0000	PC			RESISTOR;CARBON;100ohm;5%;0W1;SMD805	[POATD:1: {3.0}(R83,R116,R211)]	*NOT available in DP
56	2.0000	PC			RESISTOR;CARBON;200ohm;5%;0W1;SMD805	[POATD:1: {2.0}(R119,R124)]	*NOT available in DP
57	2.0000	PC			RESISTOR;CARBON;220ohm;5%;0W1;SMD805	[POATD:1: {2.0}(R217-R218)]	*NOT available in DP
58	4.0000	PC			RESISTOR;CARBON;1Kohm;5%;0W1;SMD805	[POATD:1: {4.0}(R122,R136,R166,R175)]	*NOT available in DP
59	1.0000	PC			RESISTOR;CARBON;1Kohm5;5%;0W1;SMD805	[POATD:1: {1.0}(R198)]	*NOT available in DP
60	5.0000	PC			RESISTOR;CARBON;2Kohm2;5%;0W1;SMD805	[POATD:1: {5.0}(R5,R23,R70,R82,R187)]	*NOT available in DP
61	1.0000	PC			RESISTOR;CARBON;3Kohm9;5%;0W1;SMD805	[POATD:1: {1.0}(R121)]	*NOT available in DP
62	3.0000	PC			RESISTOR;CARBON;10Kohm;5%;0W1;SMD805	[POATD:1: {3.0}(R180-R181,R188)]	*NOT available in DP
63	2.0000	PC			RESISTOR;CARBON;11Kohm;5%;0W1;SMD805	[POATD:1: {2.0}(R120,R125)]	*NOT available in DP
64	4.0000	PC			RESISTOR;CARBON;47Kohm;5%;0W1;SMD805	[POATD:1: {4.0}(R143,R152,R172-R173)]	*NOT available in DP
65	1.0000	PC			RESISTOR;CARBON;51Kohm;5%;0W1;SMD805	[POATD:1: {1.0}(R126)]	*NOT available in DP
66	3.0000	PC			RESISTOR;CARBON;220Kohm;5%;0W1;SMD805	[POATD:1: {3.0}(R177,R192-R193)]	*NOT available in DP
67	1.0000	PC			RESISTOR;CARBON;270Kohm;5%;0W1;SMD805	[POATD:1: {1.0}(R186)]	*NOT available in DP
68	1.0000	PC			RESISTOR;CARBON;470Kohm;5%;0W1;SMD805	[POATD:1: {1.0}(R195)]	*NOT available in DP
69	1.0000	PC			RESISTOR;CARBON;1Mohm;5%;0W1;SMD805	[POATD:1: {1.0}(R196)]	*NOT available in DP
70	2.0000	PC			RESISTOR;METAL;20ohm;1%;0W25;SMD1206	[POATD:1: {2.0}(R114,R151)]	*NOT available in DP
71	1.0000	PC		I03-00000-91676	POTENTIOMETER;20 kohm;0.050W;TAPER:15A;20 %;MONO;F-SHAFT:15MM;ANGLED;NO NUT AND WASHER;80-150GF;HHTORQUE;SOUNDWELL	[POATD:1: {1.0}(VR9)]	
72	2.0000	PC		I03-00000-91679	POTENTIOMETER;2 kohm;TAPER:1B;20 %;MONO;F-SHAFT:15MM;ANGLED;NO NUT AND WASHER;80-150GF;HHTORQUE;SOUNDWELL	[POATD:1: {2.0}(VR3-VR4)]	
73	1.0000	PC		I03-00000-91680	POTENTIOMETER;50 kohm;0.050W;TAPER:15C;20 %;STEREO;F-SHAFT:15MM;ANGLED;NO NUT AND WASHER;80-150GF;HHTORQUE;SOUNDWELL	[POATD:1: {1.0}(VR2)]	
74	1.0000	PC		I03-00000-91681	POTENTIOMETER;50 kohm;0.050W;TAPER:1B;20 %;STEREO;F-SHAFT:15MM;ANGLED;NO NUT AND WASHER;80-150GF;HHTORQUE;SOUNDWELL	[POATD:1: {1.0}(VR8)]	
75	2.0000	PC	Y03-67151-06231	I03-67151-06231	POTENTIOMETER;100Kohm;TAPER:A;MONO;F-SHAFT:15MM;ANGLED;W/O CC;40-100gf;HIGH HIGH TORQUE;(NOBLE XVB12111YNPJ22.5F15A100K)	[POATD:1: {2.0}(VR5,VR7)]	
76	2.0000	PC	Y03-67242-06151	I03-67242-06151	POTENTIOMETER;20KBohm;TAPER:B;MONO;F-SHAFT:15MM;ANGLED;W/O CC;40-100gf;HIGH HIGH TORQUE;(NOBLE XVB12111YNPJ22.5F1B20K)	[POATD:1: {2.0}(VR1,VR6)]	
77	1.0000	PC			RESISTOR;CEMENT;33 ohm;7W;5 %;22 MM;35mm x 10mm x 9mm	[POATD:1: {1.0}(R174)]	*NOT available in DP
78	1.0000	PC			RESISTOR;CARBON;15 ohm;1W;5 %;PITCH:1.5mm;FORMING MB-TYPE15*3.6mm;ROHS	[POATD:1: {1.0}(R220)]	*NOT available in DP
79	1.0000	PC			RESISTOR;METAL OXIDE FILM;4.3 ohm;5WS;5 %;17x6mm;PITCH:25mm;FORMING MB-TYPE;ROHS	[POATD:2: {1.0}(R15)]	*NOT available in DP

	Quantity	Unit	S.Sku	M.Sku	Description	Reference Designators	Notes
80	1.0000	PC			RESISTOR;METAL OXIDE FILM;6.8 ohm;5WS;5 %;17x6mm;PITCH:25mm;FORMING MB-TYPE;ROHS	[P0ATD:2: {1.0}(R2)]	*NOT available in DP
81	1.0000	PC			RESISTOR;METAL;1.3 ohm;2W;5 %;PITCH:20mm;FORMING MB-TYPE;METAL OXIDE FILM;15X5MM;ROHS	[P0ATD:2: {1.0}(R1)]	*NOT available in DP
82	1.0000	PC			RESISTOR;METAL;2.4 ohm;3W;5 %;PITCH:25mm;FORMING MB-TYPE;METAL OXIDE FILM;17X6MM;ROHS	[P0ATD:2: {1.0}(R18)]	*NOT available in DP
83	1.0000	PC			RESISTOR;CARBON;100Kohm;5%;0W5;LEAD WIRE	[P0ATD:1: {1.0}(R216)]	*NOT available in DP
84	1.0000	PC			RESISTOR;CARBON;220Kohm;5%;0W5;LEAD WIRE	[P0ATD:1: {1.0}(R165)]	*NOT available in DP
85	2.0000	PC			RESISTOR;CARBON;22Kohm;5%;1W;LEAD WIRE	[P0ATD:1: {2.0}(R201-R202)]	*NOT available in DP
86	1.0000	PC			RESISTOR;CARBON;39Kohm;5%;1W;LEAD WIRE;PITCH:15mm;FORMING MB-TYPE15*3.6mm;ROHS	[P0ATD:1: {1.0}(R221)]	*NOT available in DP
87	2.0000	PC			RESISTOR;CARBON;220Kohm;5%;1W;LEAD WIRE	[P0ATD:1: {2.0}(R178-R179)]	*NOT available in DP
88	2.0000	PC			RESISTOR;CARBON;100ohm;5%;2W;LEAD WIRE	[P0ATD:1: {2.0}(R109,R148)]	*NOT available in DP
89	1.0000	PC			RESISTOR;LEAD WIRE;10Kohm;5%;CARBON;3W	[P0ATD:1: {1.0}(R176)]	*NOT available in DP

Switch

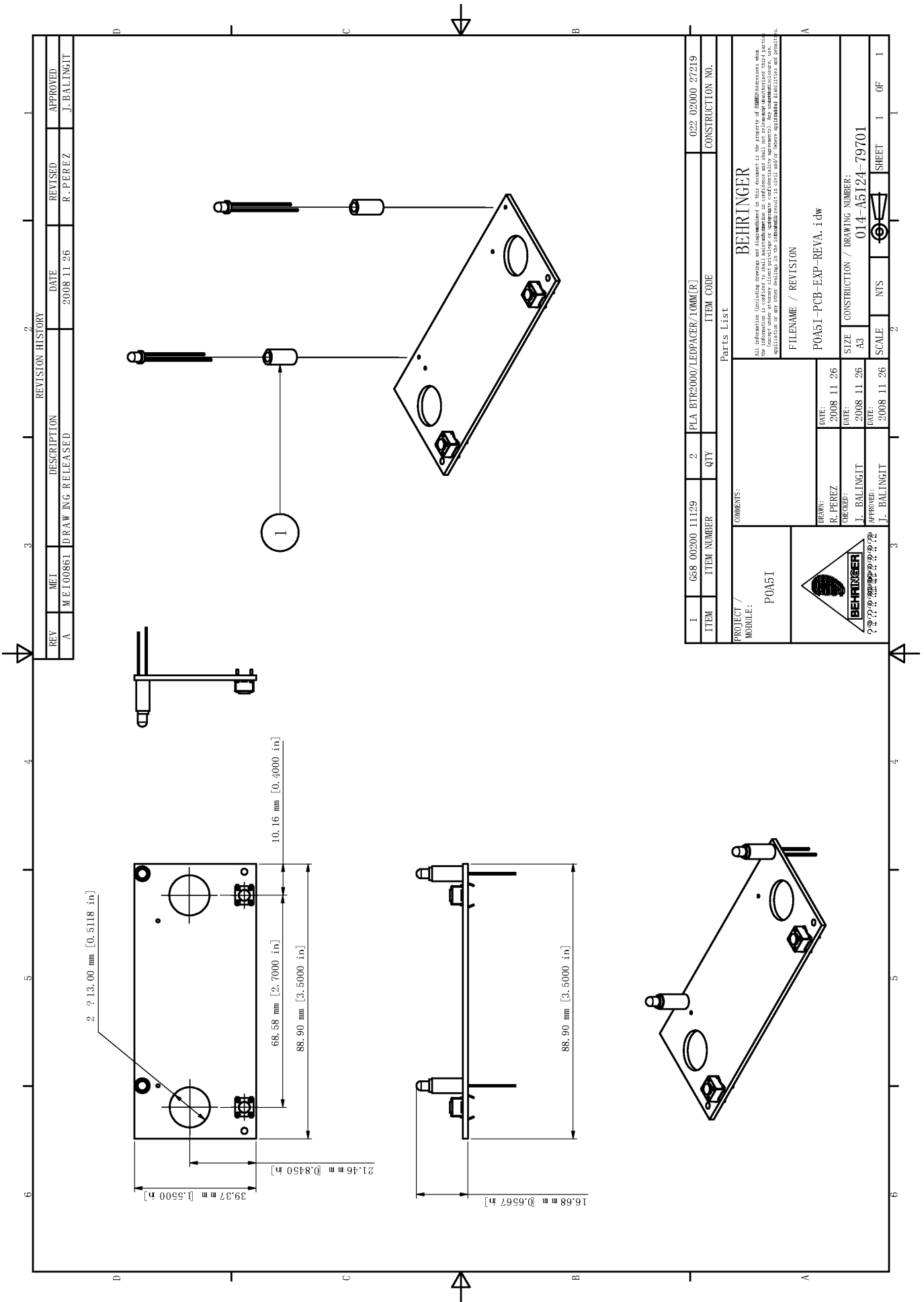
	Quantity	Unit	S.Sku	M.Sku	Description	Reference Designators	Notes
1	2.0000	PC	Y77-03422-02778	I77-03422-02778	SWITCH;RADIAL;2P2T;PCB VERSION;LOCKING;NONSHORT;RAD2P	[P0ATD:2: {2.0}(SW1-SW2)]	
2	1.0000	PC	Y82-00822-04267	I82-00822-04267	SWITCH;PUSH;2P2T;PCB VERSION COMAX PB-22D01-FNS;NONLOCKING;NONSHORT	[P0ATD:1: {1.0}(SW1)]	
3	1.0000	PC	Y86-00323-04226	I86-00323-04226	SWITCH;SLIDE;POLES:2;TOGGLES:3;LOCKING;SHORTING;PCB VERSION;DONGGUAN WEILI SS-23H49-G6	[P0ATD:2: {1.0}(SW3)]	
4	2.0000	PC	Y87-43811-03768	I87-43811-03768	SWITCH;TACTILE;POLES:1;HEIGHT:4mm3;PCB VERSION;NONLOCK;NONSHORT	[P0A5I:00: {2.0}(SW1-SW2)]	
5	2.0000	PC		I90-00000-23478	SWITCH;TOGGLE;1;LOCKING;NONSHORT;2;ARCO;PWR.16(4)A250Vac;SOLDER LUG;KEYWAY ON LEFT		

Transistor

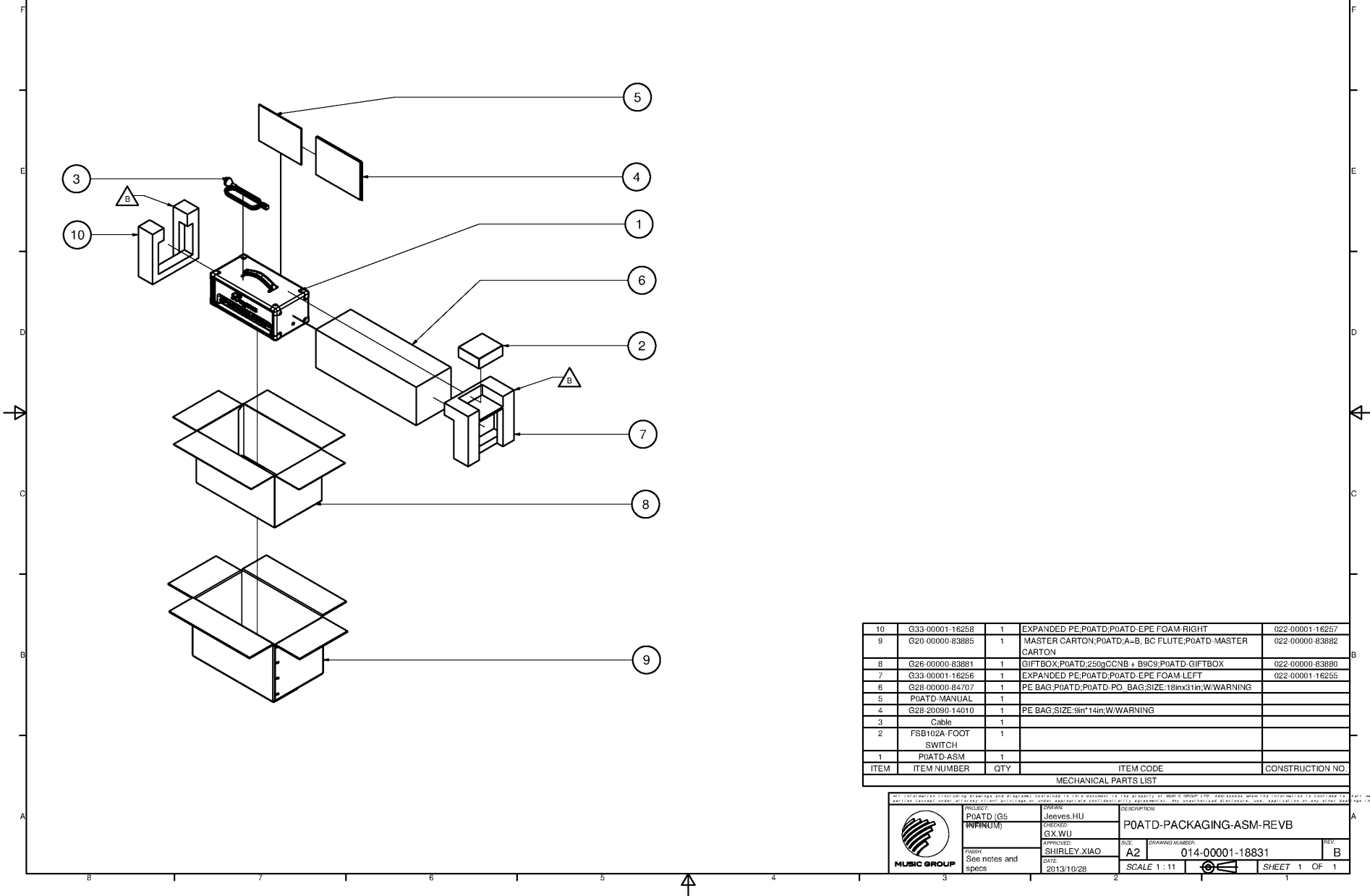
	Quantity	Unit	S.Sku	M.Sku	Description	Reference Designators	Notes
1	1.0000	PC			TRANSISTOR;2SC3326B;SOT	[P0ATD:1: {1.0}(T1)]	*NOT available in DP
2	2.0000	PC			TRANSISTOR;FET;600V;SPP04N60C3;TO220	[P0ATD:1: {2.0}(T16-T17)]	*NOT available in DP
3	3.0000	PC			TRANSISTOR;BC846B;SOT;SMD	[P0ATD:1: {3.0}(T3,T10,T15)]	*NOT available in DP
4	4.0000	PC			TRANSISTOR;BC856B;SOT;SMD	[P0ATD:1: {3.0}(T2,T6-T7)]	*NOT available in DP
5	1.0000	PC			TRANSISTOR;MBTA06;SOT	[P0ATD:1: {1.0}(T18)]	*NOT available in DP
6	2.0000	PC			TRANSISTOR;MBTA92;SOT	[P0ATD:1: {2.0}(T12-T13)]	*NOT available in DP
7	6.0000	PC			TRANSISTOR;MMBFJ175;SOT23	[P0ATD:1: {6.0}(T1,T4-T5,T8-T9,T14)]	*NOT available in DP

Vacuum Tube

	Quantity	Unit	S.Sku	M.Sku	Description	Reference Designators	Notes
1	1.0000	PC		J84-00001-20436	TUBE;GLASS CRT;12BH7-A;A001		
2	1.0000	PC	Z84-17012-78009	J84-17012-78009	TUBE;DOUBLE TRIODE;12AX7;SHUGUANG;NO ARTWORK		
3	1.0000	PC		J84-68008-47109	TUBE;DOUBLE TRIODE;ECC83A;SHUGUANG		
4	1.0000	PC	Z85-00000-80014	J85-00000-80014	TUBE;12BH7-A; NO ARTWORK		



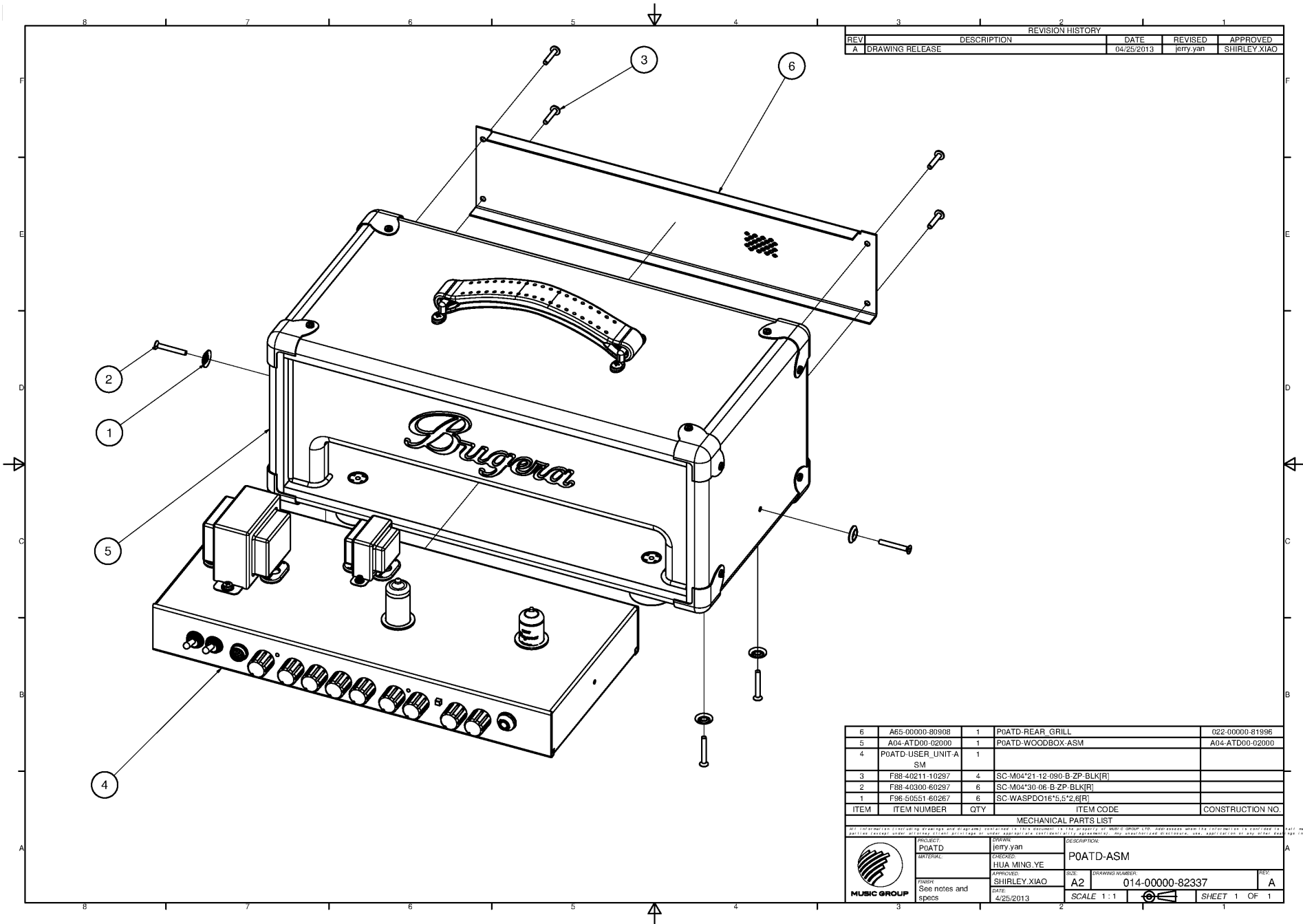
REVISION HISTORY				
REV	DESCRIPTION	DATE	REVISED	APPROVED
A	DRAWING RELEASE	2013-10-28	Jeeves.HU	SHIRLEY.XIAO
B	Change the dimension of EPE foam	2014/09/09	Jeeves.HU	SHIRLEY.XIAO



ITEM	ITEM NUMBER	QTY	ITEM CODE	CONSTRUCTION NO.
10	G33-00001-16258	1	EXPANDED PE;POATD;POATD-EPE FOAM-RIGHT	022-00001-16257
9	G20-00000-83885	1	MASTER CARTON;POATD;A=B, BC FLUTE;POATD-MASTER CARTON	022-00000-83882
8	G26-00000-83881	1	GIFTBOX;POATD;250gCCNB + BSC9;POATD-GIFTBOX	022-00000-83880
7	G33-00001-16256	1	EXPANDED PE;POATD;POATD-EPE FOAM-LEFT	022-00001-16255
6	G28-00000-84707	1	PE BAG;POATD;POATD-PO BAG;SIZE:18inx31in;W/WARNING	
5	POATD-MANUAL	1		
4	G28-20090-14010	1	PE BAG;SIZE:9in*14in;W/WARNING	
3	Cable	1		
2	FSB102A-FOOT SWITCH	1		
1	POATD-ASM	1		

MECHANICAL PARTS LIST

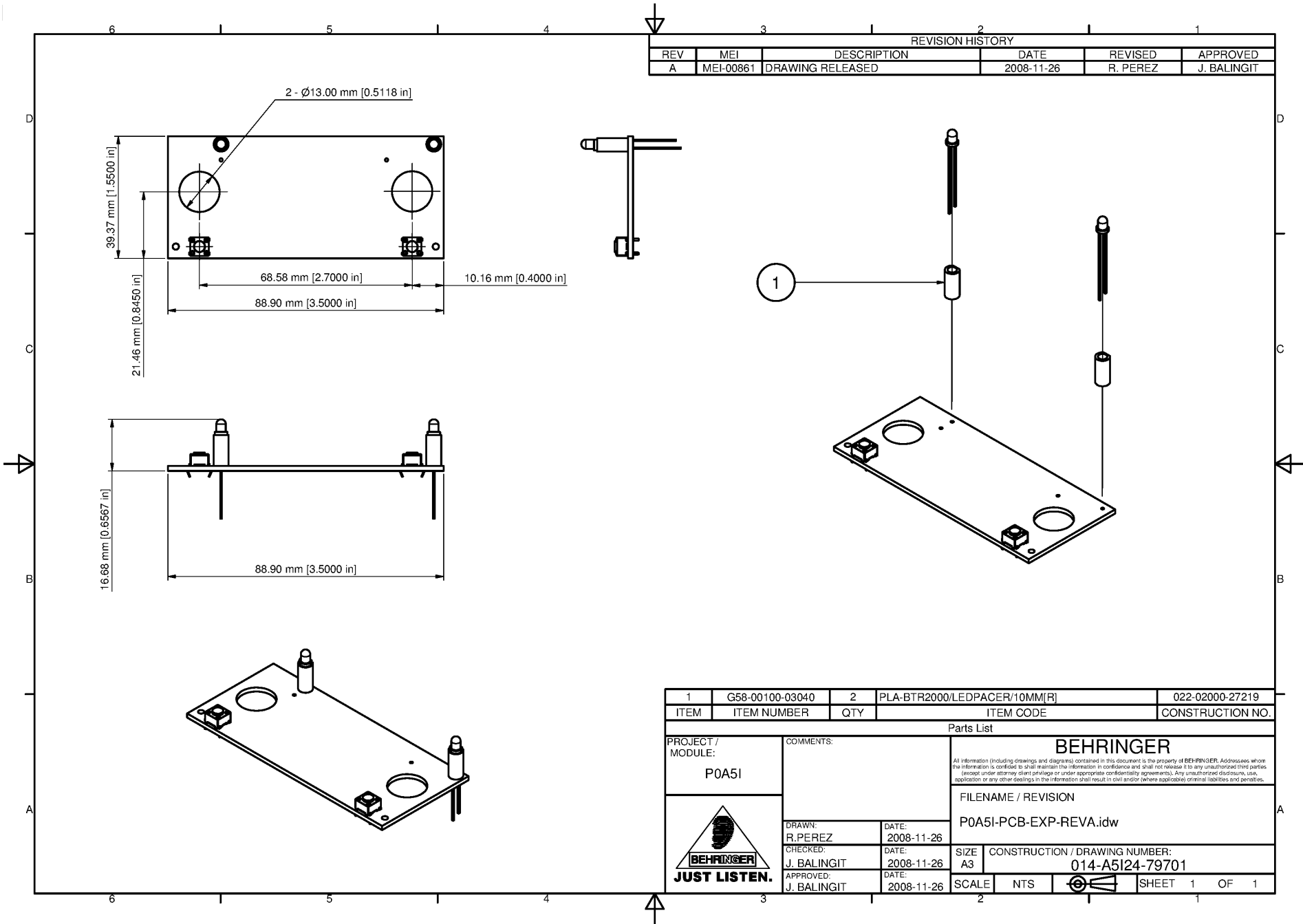
	PROJECT: POATD (G5) (MUSIC GROUP)	Jeeves.HU CHECKED: GX.WU	DESCRIPTION: POATD-PACKAGING-ASM-REVB	
	APPROVED: SHIRLEY.XIAO DATE: 2013/10/28	APPROVED: SHIRLEY.XIAO DATE: 2013/10/28	SIZE: A2 DRAWING NUMBER: 014-00001-18831	REV: B
FMBR See notes and specs		SCALE 1 : 11		SHEET 1 OF 1



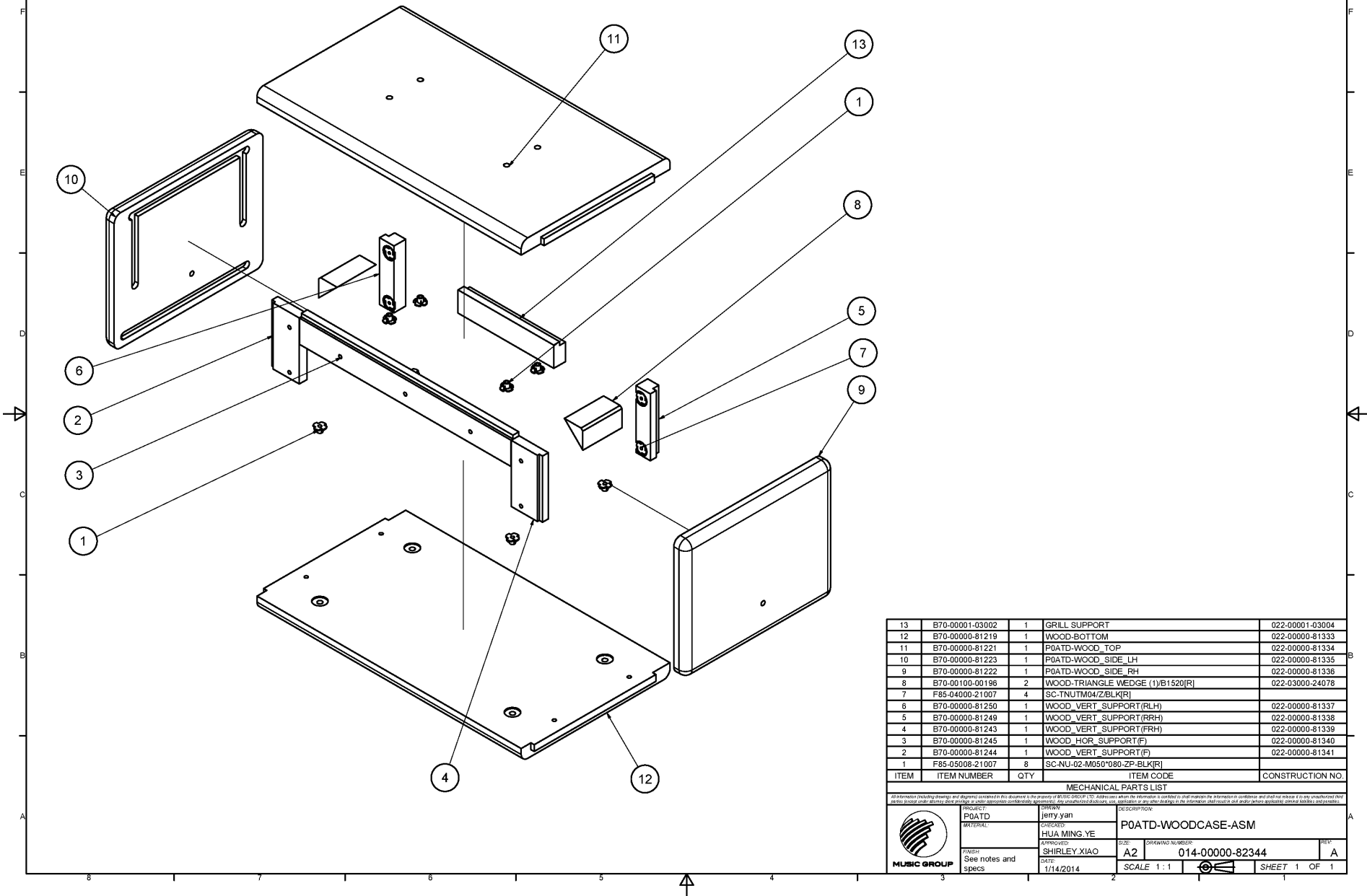
REVISION HISTORY				
REV	DESCRIPTION	DATE	REVISED	APPROVED
A	DRAWING RELEASE	04/25/2013	Jerry.yan	SHIRLEY.XIAO

ITEM	ITEM NUMBER	QTY	ITEM CODE	CONSTRUCTION NO.
6	A65-00000-80908	1	P0ATD-REAR-GRILL	022-00000-81996
5	A04-ATD00-02000	1	P0ATD-WOODBOX-ASM	A04-ATD00-02000
4	P0ATD-USER-UNIT-A-SM	1		
3	F88-40211-10297	4	SC-M04*21-12-090-B-ZP-BLK[R]	
2	F88-40300-60297	6	SC-M04*30-06-B-ZP-BLK[R]	
1	F96-50551-60257	6	SC-WASPDO16*5,5*2,6[R]	

MECHANICAL PARTS LIST				
PROJECT: P0ATD		DESIGNER: Jerry.yan		
MATERIAL:		CHECKER: HUIA.MING.YE		
DRAWN BY: SHIRLEY.XIAO		APPROVED: SHIRLEY.XIAO		
DATE: 4/25/2013		SCALE: 1:1		
DRAWING NUMBER: 014-00000-82337		SHEET 1 OF 1		



REVISION HISTORY				
REV	DESCRIPTION	DATE	REVISED	APPROVED
A	DRAWING RELEASE	1/14/2014	jerry.yan	SHIRLEY.XIAO



ITEM	ITEM NUMBER	QTY	ITEM CODE	CONSTRUCTION NO.
13	B70-00001-03002	1	GRILL SUPPORT	022-00001-03004
12	B70-00000-81219	1	WOOD-BOTTOM	022-00000-81333
11	B70-00000-81221	1	P0ATD-WOOD_TOP	022-00000-81334
10	B70-00000-81223	1	P0ATD-WOOD_SIDE_LH	022-00000-81335
9	B70-00000-81222	1	P0ATD-WOOD_SIDE_RH	022-00000-81336
8	B70-00100-00196	2	WOOD-TRIANGLE WEDGE (1)E1520[R]	022-03000-24078
7	F85-04000-21007	4	SC-TNUTM04Z/BLK[R]	
6	B70-00000-81250	1	WOOD_VERT_SUPPORT(RLH)	022-00000-81337
5	B70-00000-81249	1	WOOD_VERT_SUPPORT(RRH)	022-00000-81338
4	B70-00000-81243	1	WOOD_VERT_SUPPORT(FRH)	022-00000-81339
3	B70-00000-81245	1	WOOD_HOR_SUPPORT(F)	022-00000-81340
2	B70-00000-81244	1	WOOD_VERT_SUPPORT(F)	022-00000-81341
1	F85-05008-21007	8	SC-NU-02-M050*080-ZP-BLK[R]	

MECHANICAL PARTS LIST

DESCRIPTION: P0ATD-WOODCASE-ASM

DATE: 1/14/2014

SCALE: 1:1

SHEET 1 OF 1

See notes and specs

1/14/2014

014-00000-82344

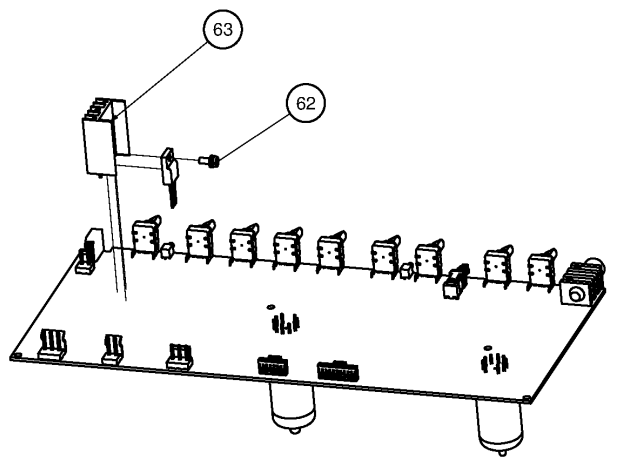
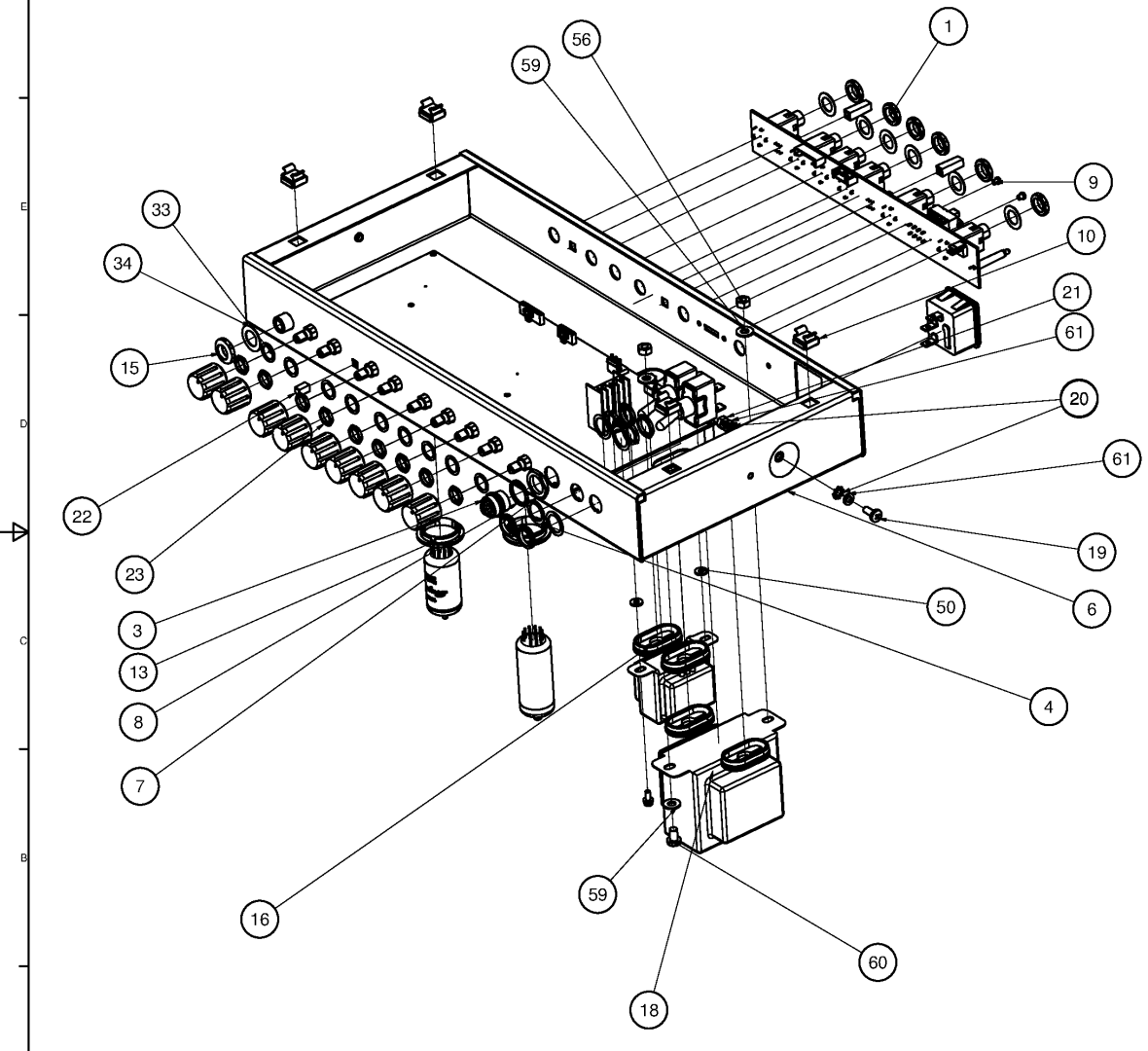
SHIRLEY.XIAO

HUA MING.YE

jerry.yan

P0ATD

REVISION HISTORY				
REV	DESCRIPTION	DATE	REVISED	APPROVED
A		4/13/2013	Jeffery Yan	SHIRLEY XIAO

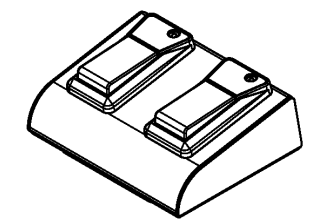
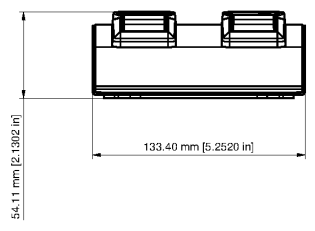
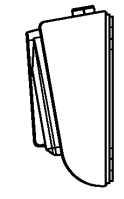
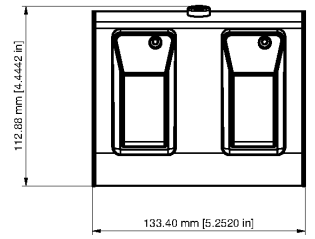
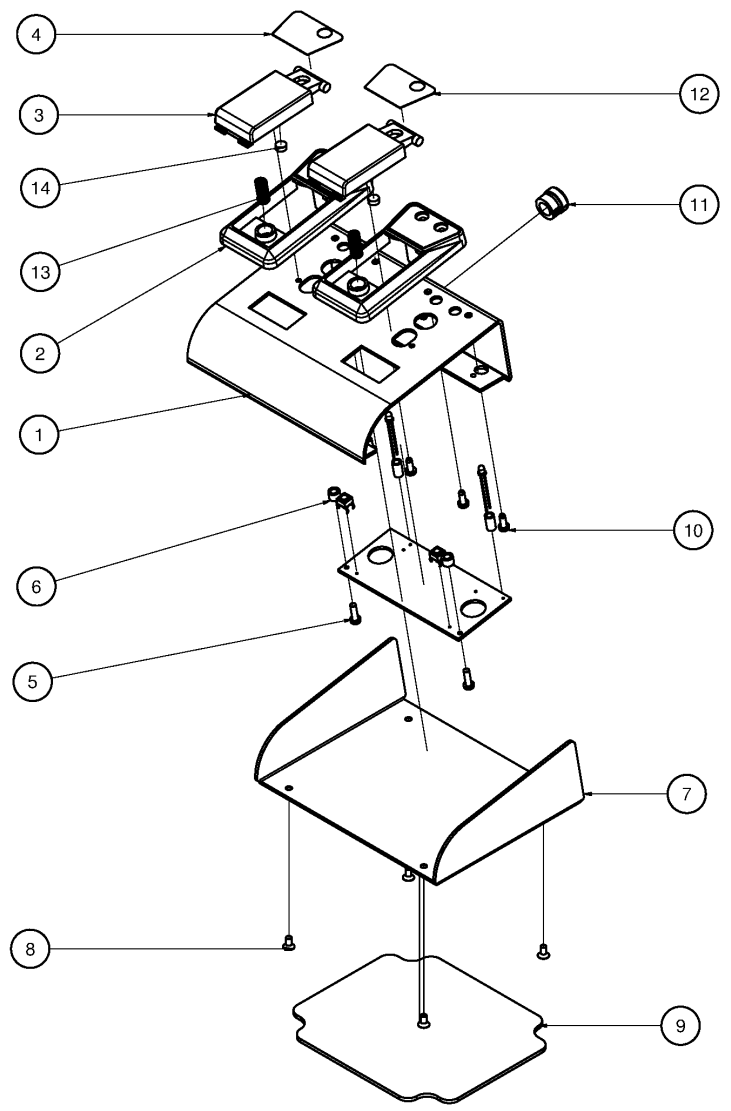


ITEM	ITEM NUMBER	QTY	ITEM CODE	CONSTRUCTION NO.
61	F96-20400-70170	2	SC-WASPR4*7*1.7[R]	
60	F88-00000-85176	2	PAN,ZINC,WHITE,PHILIPS REC.,M5X12	
59	F96-10511-10105	4	SC-WAPLNP5.1*11*1[R]	
56	F85-05000-44001	2	SC-NUHEXM05[R]	
50	F96-10300-80105	2	SC-WAPLNP3*8*1[R]	
45	G67-20103-01824	1	X-POWCON W FUSE SNAP10/A/V2	CON71-RF2004
37	G52-00100-07083	2	PLA-I00168P/SWITCH KNOB 18MM[R]	022-02000-36739
36	F85-00000-13186	2	SC-NUHEX/12MM/2MM/SR[R]	
35	F96-00000-00836	6	SC-WA9.7MM/WH[R]	
34	F96-00000-06611	1	SC-WA10.9MM/0.5MM/SR[R]	
33	F96-10961-30505	9	SC-WAPLNP9.6*13*0.5NP/SLV[R]	
31	G58-00000-80920	9	PLA-POATD/KNOB/BC	022-00000-82737
23	F85-09020-46001	9	SC-PNUHEXM09P075[R]	
22	G52-00100-14962	1	PLA-I00499P/PUSH KNOB/BC	022-02000-42321
21	F85-04000-44001	1	SC-NUHEXM04[R]	
20	F96-40400-70170	2	SC-WATEEXT4*7*1.7[R]	
19	F88-40100-20291	1	SC-M04*10-02-B-ZP-SLV[R]	
18	F88-30081-20291	6	SC-M03*08-03-B-ZP-SLV[R]	
16	F87-00200-10103	4	MI-I00172P/RUBBER BUSHING[R]	022-02000-36801
15	F85-00000-36777	1	SC-OCTNUT/11MM/4MM/SR[R]	
13	G53-00000-12925	2	PLA-P0806/GROMMET	022-02000-41474
10	F91-03020-01251	4	MI-CLON-SQ M40*006-SLR[R]	
9	F88-30034-10297	2	SC-M03*03-03-45-B-ZP-BLK[R]	
8	F96-21451-70155	1	SC-WASPR14.5*17*1.5[R]	
7	F85-13000-44001	1	SC-NUHEXM13[R]	
6	J02-00000-82015	1	MET-POATD/CASE/BK	022-00000-81997
4	F96-11231-68055	4	SC-WA-01-123-166-05-NP-SLV[R]	
3	G53-00000-04668	1	MI-P0404/JEWELAMBER[R]	
1	F85-09535-45795	6	SC-NU-01-30in*035-NP-SLV[R]	

ITEM	ITEM NUMBER	QTY	ITEM CODE	CONSTRUCTION NO.
63	A63-00000-85558	1	MET-POATD/HEATSINK	022-01000-42373
62	F88-30081-20291	1	SC-M03*08-03-B-ZP-SLV[R]	

	PROJECT: POATD	DESIGNER: Jeffery Yan	DRAWING NUMBER: 014-00000-82342 SCALE: 1:1
	MATERIAL: POATD	CHECKER: HUIA MING YE	
See notes and specs	APPROVED: SHIRLEY XIAO	DATE: 4/13/2013	SHEET 1 OF 1

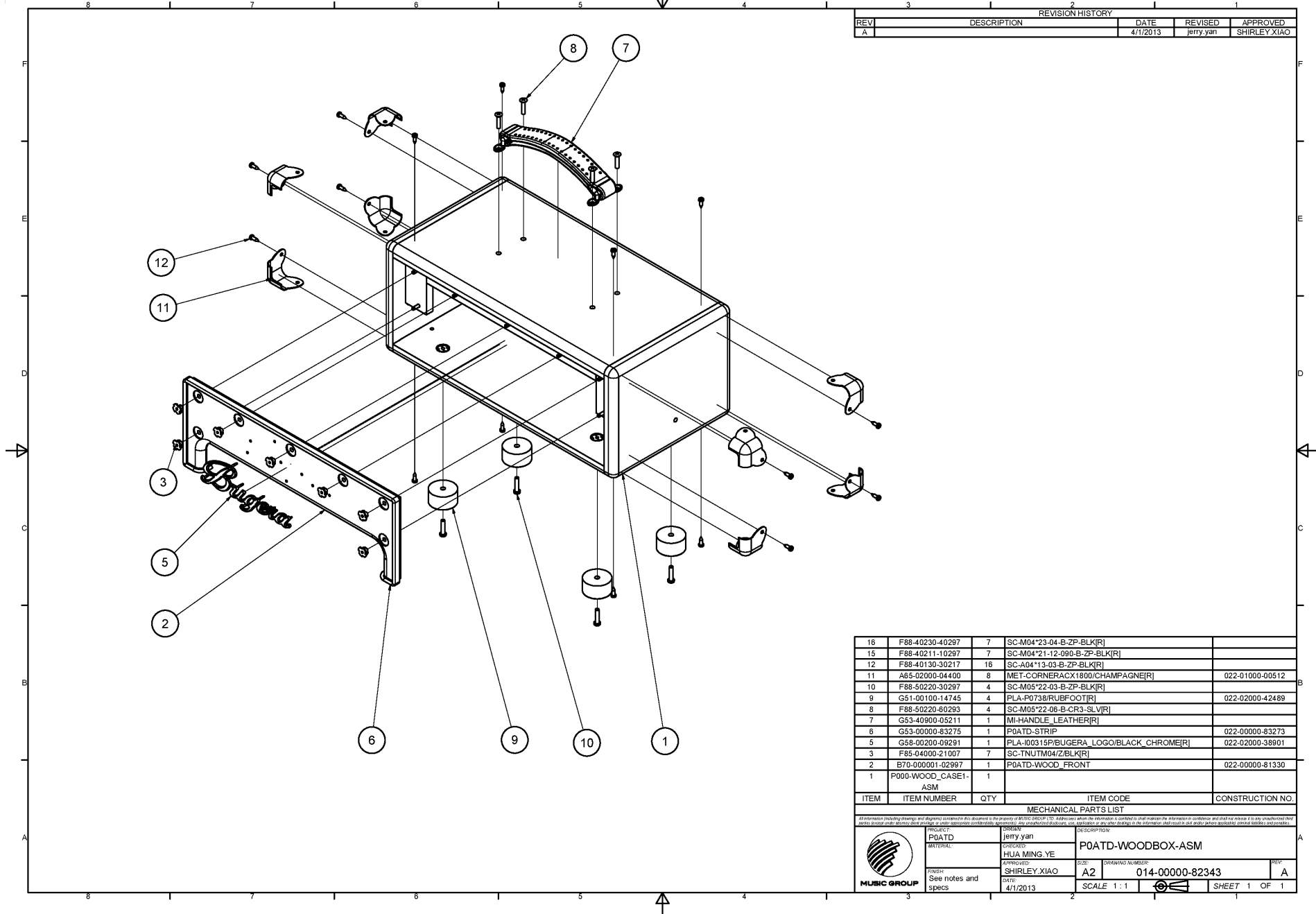
REVISION HISTORY					
REV	MEI	DESCRIPTION	DATE	REVISED	APPROVED
A	MEI-00861	DRAWING RELEASED	2008-11-25	R. PEREZ	J. BALINGIT



ITEM	ITEM NUMBER	QTY	ITEM CODE	CONSTRUCTION NO.
14	F87-01000-12070	2	MI-RUBBERPAD6X2.5MM[R]	022-02000-00560
13	F93-11000-04288	2	SC-SPRING6*14.8[R]	022-01000-15518
12	I20-01600-12351	1	LAB-FOOTSW1/FSB106A05[R]	022-02000-40674
11	F88-01400-04141	1	MI-CABLEBUSHINGFS112[R]	
10	F88-30080-30241	4	SC-BT03*08-03-B-ZP-SLV[R]	
9	F97-17000-04145	1	MI-FOAMFOOTSW[R]	
8	F88-30060-50277	4	SC-M03*06-05-B-ZP-BLK[R]	
7	A62-07400-18216	1	MET-FOOTBOTTOM/BLACK[R]	
6	A65-15000-04134	2	MET-SPACER04MM4M3.5HOLE[R]	
5	F88-30100-30297	2	SC-M03*10-03-B-ZP-BLK[R]	
4	I20-02100-08703	1	LAB-FOOTSW1/POA5I01[R]	022-02000-38528
3	G52-80500-09382	2	PLA-SWKNBFOOT1[R]	
2	G58-53000-25624	2	PLA-SWITCHBASEFOOT1[R]	022-02000-14971
1	J02-01400-18217	1	MET-POA5I/FOOTCOVER/BK[R]	022-01000-25972

PROJECT / MODULE: POA5I		COMMENTS:		Parts List	
		DATE: 2008-11-25		BEHRINGER <small>All information (including drawings) and designs contained in this document is the property of BEHRINGER. Addresses whom the information is intended to be kept confidential and shall not release to any unauthorized third parties without written consent. Use for repair or other purposes is prohibited. Any reproduction, disclosure, modification or any other design, or for distribution (internal or external) without prior written consent is prohibited.</small>	
		DATE: 2008-11-26		FILENAME / REVISION POA5I-EXP-REVA.idw	
CHECKED: J. BALINGIT		DATE: 2008-11-26		CONSTRUCTION / DRAWING NUMBER: 014-A5114-79701	
APPROVED: J. BALINGIT		DATE: 2008-11-26		SCALE: NTS	
				SHEET 1 OF 1	

REVISION HISTORY				
REV	DESCRIPTION	DATE	REVISED	APPROVED
A		4/1/2013	jerry.yan	SHIRLEY.XIAO



ITEM	ITEM NUMBER	QTY	ITEM CODE	CONSTRUCTION NO.
16	F88-40230-40297	7	SC-M04*23-04-B-ZP-BLK[R]	
15	F88-40211-10297	7	SC-M04*21-12-090-B-ZP-BLK[R]	
12	F88-40130-30217	16	SC-A04*13-03-B-ZP-BLK[R]	
11	A65-02000-04400	8	MET-CORNERACX1800/CHAMPAGNE[R]	022-01000-00512
10	F88-50220-30297	4	SC-M05*22-03-B-ZP-BLK[R]	
9	G51-00100-14744	4	PLA-P0738/RUBFOOT[R]	022-02000-42489
8	F88-50220-60293	4	SC-M05*22-06-B-CR3-SLV[R]	
7	G53-40900-05211	1	MH-HANDLE_LEATHER[R]	
6	G53-00000-83275	1	P0ATD-STRIP	022-00000-83273
5	G58-00200-09291	1	PLA-I0031SP/BUGERA_LOGO/BLACK_CHROME[R]	022-02000-38901
3	F85-04000-21007	7	SC-TNUTM04/ZBLK[R]	
2	B70-000001-02997	1	P0ATD-WOOD_FRONT	022-00000-81330
1	P000-WOOD_CASE1-ASM	1		

MECHANICAL PARTS LIST

All information (including drawings) and designs contained herein are the property of MUSIC GROUP LTD. Approval when the information is copied or used without the permission is forbidden and shall not release to any unauthorized third parties without written consent. All rights reserved. Confidentiality agreement. Any unauthorized disclosure, use, replication or any other dealing in the information shall result in civil and/or criminal penalties and/or damages.

	P0ATD	jerry.yan	DESCRIPTION
	MATERIAL:	CREATED:	P0ATD-WOODBOX-ASM
		HUIA MING.YE	
		SHIRLEY.XIAO	SIZE: DRAWING NUMBER
	FINISH	DATE:	A2 014-00000-82343
	See notes and specs	4/1/2013	SCALE 1:1
			SHEET 1 OF 1

Bugera