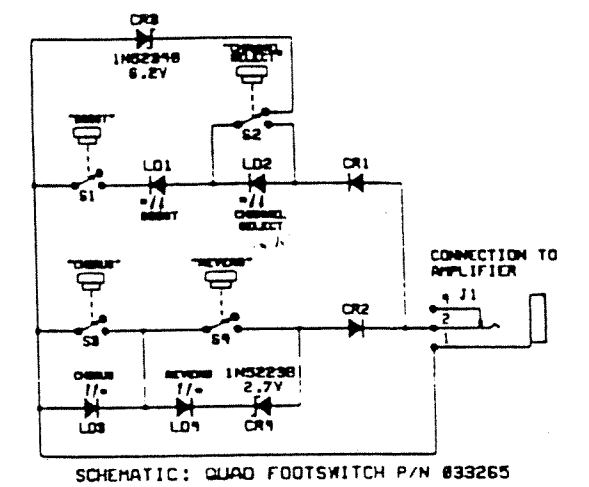
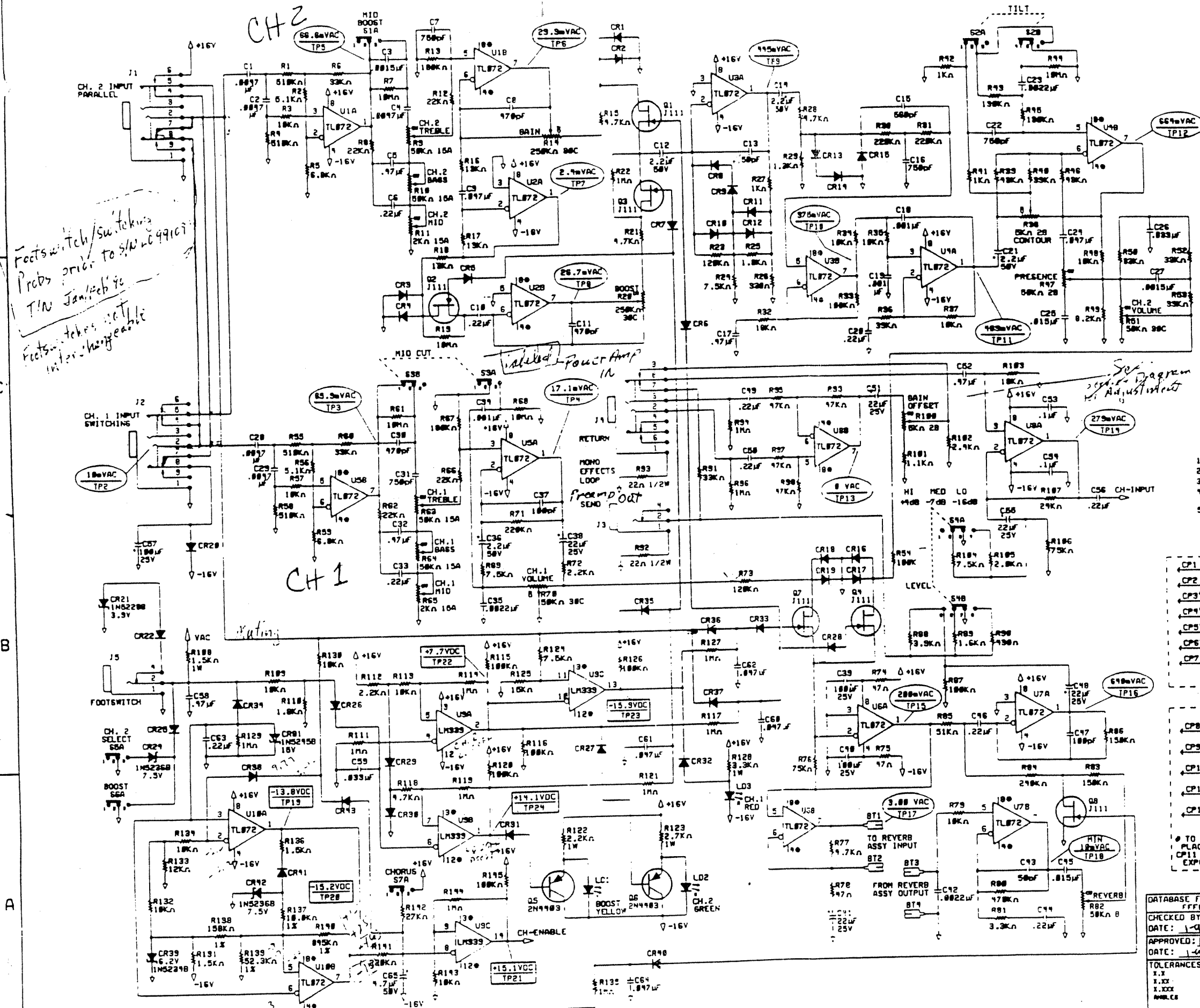


REVISIONS

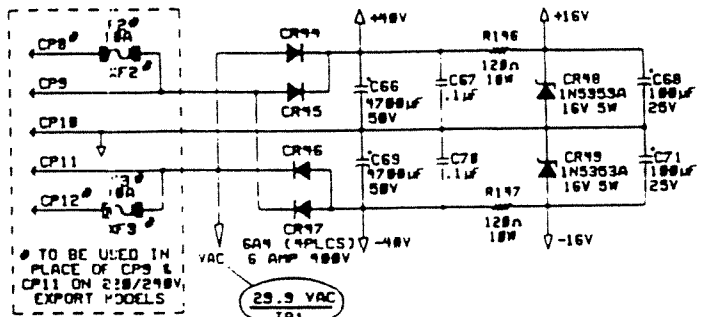
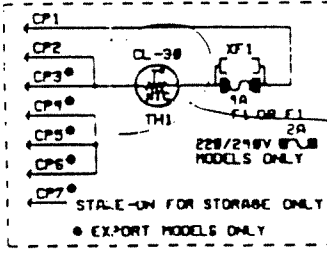
ZONE	REV.	DESCRIPTION	DATE	APPROVED
A	1	RELEASED PR#117	6-28-89	BLEN
B	1	EC#504	8-8-89	BLEN
C	1	EC#513	9-22-89	BLEN
D	1	EC#537	12-14-89	BLEN
E	1	EC#540	1-9-90	BLEN



NOTES: UNLESS OTHERWISE SPECIFIED.

- ALL RESISTORS 1/4W, ± 5%.
- ALL CAPACITORS 50V MINIMUM.
- ALL DIODES 1N4148. CR22 NOT USED.
- DC VOLTAGES READ TO GROUND WITH A DVN AND NO INPUT SIGNAL.
- AC VOLTAGE READINGS TAKEN WITH DVN TO GROUND, AND TP28-TP44 WAVEFORMS OBSERVED WITH SCOPE UNDER THE FOLLOWING CONDITIONS:

1MΩ INPUT
8Ω RESISTIVE LOADS (2)
CONNECTED AT CP12-16
NO FOOTSWITCH!
MID CUT "OFF"
MID BOOST "OFF"
TILT "OFF"
CH 2 SELECT "ON"
BOOST SELECT "ON"
CHORUS SELECT "OFF"
CONTOR "45"
PRESENCE "45"
REVERB "8"
CHORUS DEPTH "8"
MONO EFFECTS LOOP
LEVEL "MED"
ALL OTHER CONTROLS SET
TO 12 O'CLOCK



DATABASE FILE: CFF8615
CHECKED BY: BLEN
DATE: 1-9-90
APPROVED: BLEN
DATE: 1-9-90

PROPRIETARY
MUSICAL INSTRUMENTS
1138 Columbia Street
Brook, Co. 92621

TITLE: SCHEMATIC DIAGRAM, POWER CHORUS AMPLIFIER
SIZE: (DRAWING: B, DESI)
DRAWING NUMBER: 033063
REV. NO.: E
SCALE: DATE: 1-9-90 SHEET 1 OF 2

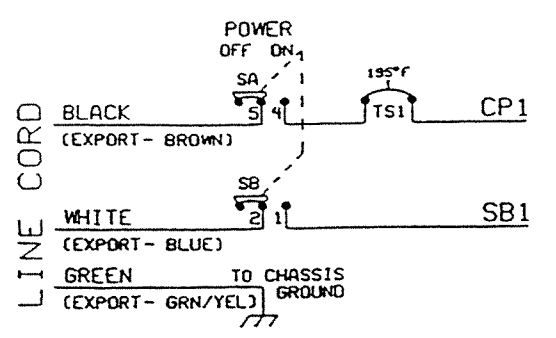
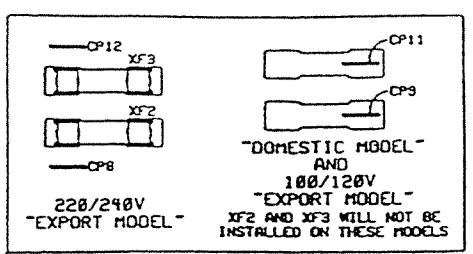
*Footswitch/Switching
Probs prior to 5/12/89
T/W Jan/Feb/90
Footswitch takes active
input - changeable*

*labeled Power Amp
MONO EFFECTS LOOP
Preamp Out*

*See diagram
for Adjustments*

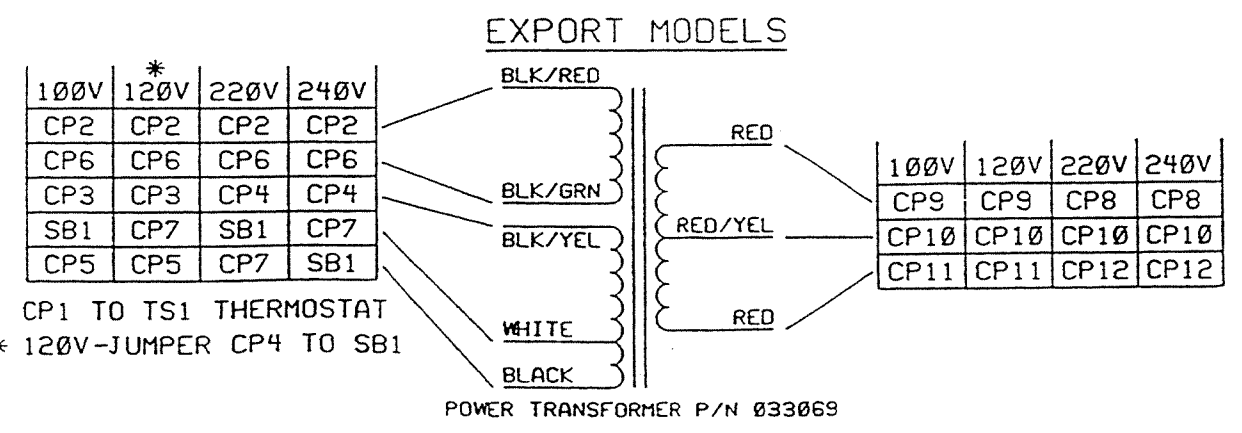
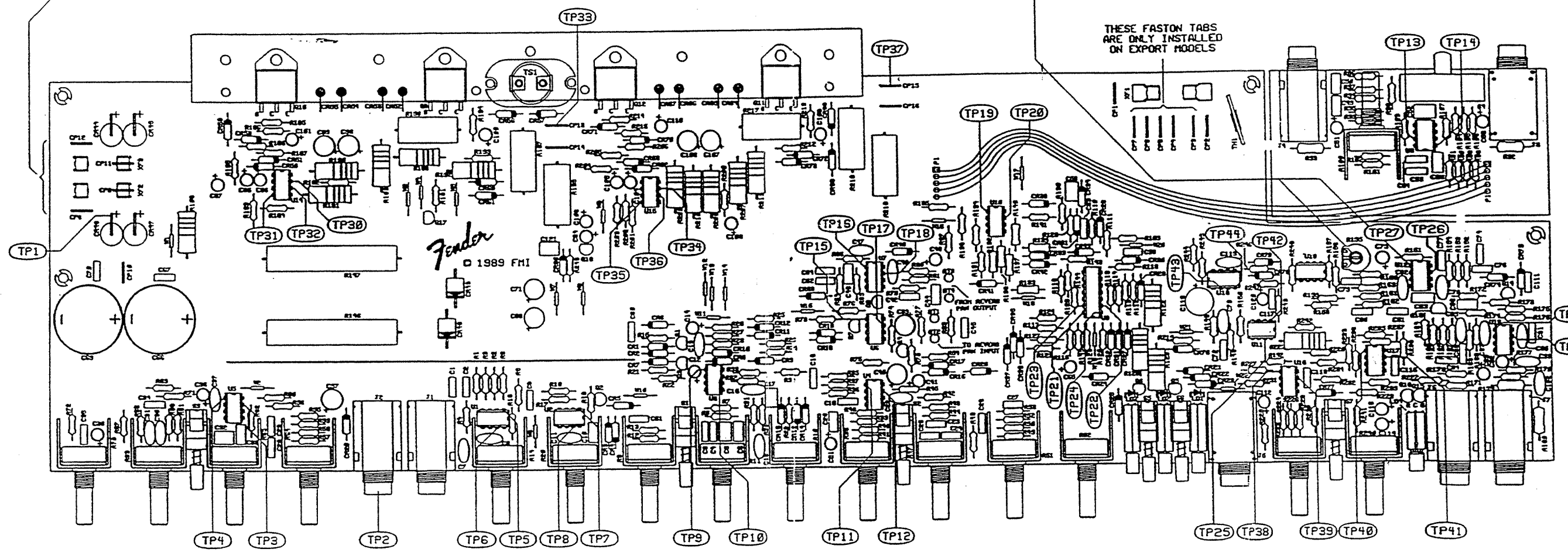
*check
leg length*

REVISIONS				
ZONE	REV.	DESCRIPTION	DATE	APPROVED
	A	RELEASED PR#117	6-23-89	B. Desi
	B	EC#513	9-22-89	B. Desi



CHORUS BIAS ADJUSTMENT:
SET CHORUS RATE AND DEPTH CONTROLS FULLY CLOCKWISE. SET REAR PANEL EFFECTS LOOP LEVEL TO "MED" WITH 0dB OF GAIN OFFSET. INSERT A 1KHZ SINE WAVE AT ABOUT 1.2 VOLTS RMS TO THE POWER AMP IN JACK (J4). ADJUST TRIMPOT R155 FOR SYMMETRICAL CLIPPING AT U12 PIN 1 (TP27).

THESE FASTON TABS ARE ONLY INSTALLED ON EXPORT MODELS

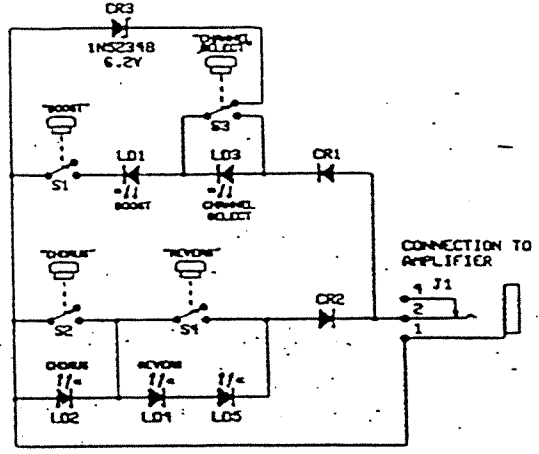
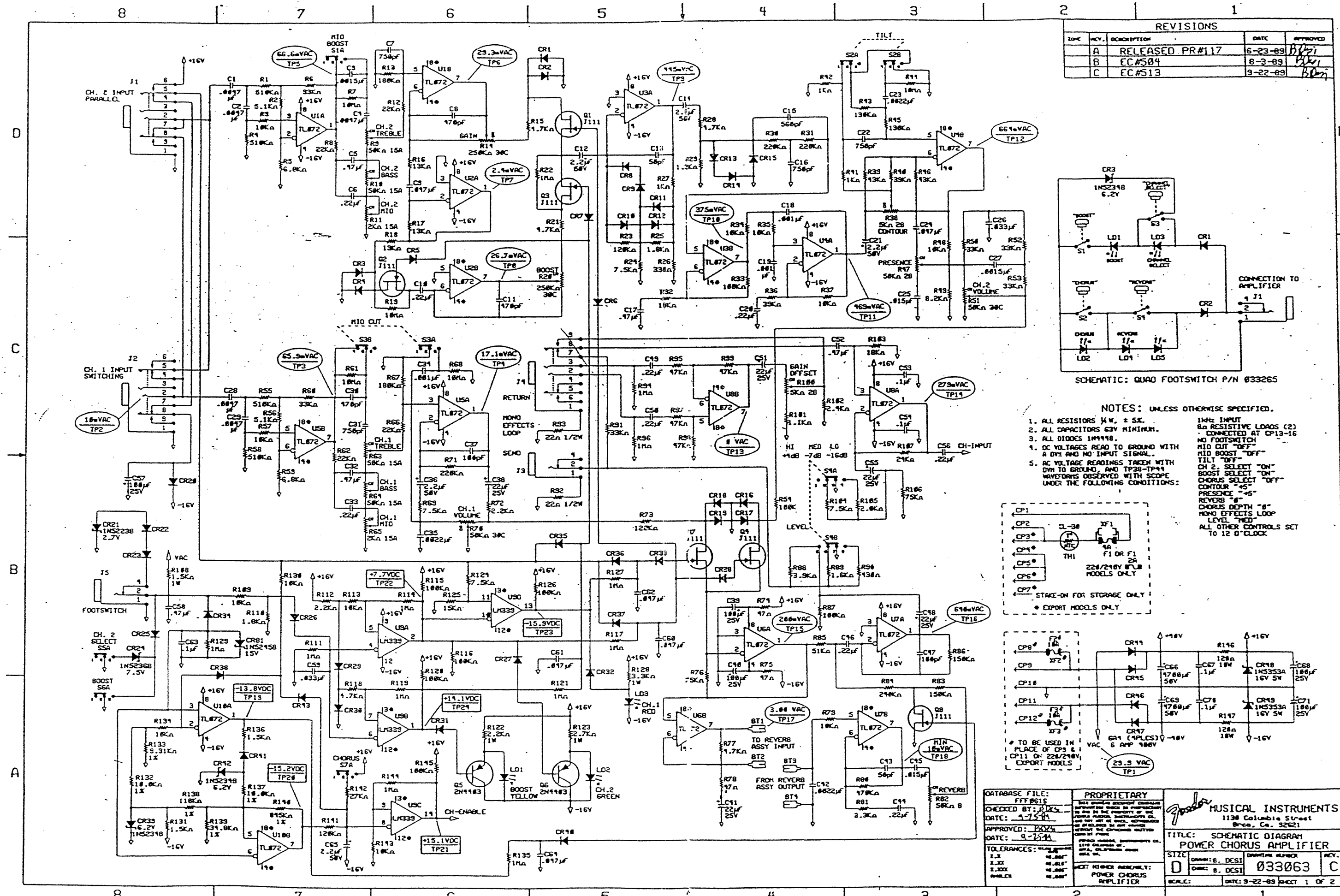


CP1 TO TS1 THERMOSTAT
* 120V-JUMPER CP4 TO SB1

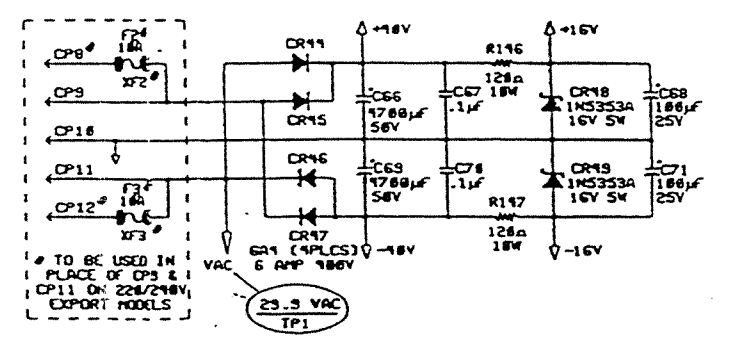
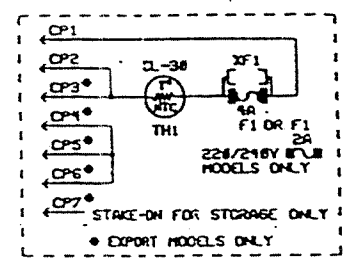
FILM/DWG: SERVICE DIAGRAM
DATABASE: FFF06SER DATE: 6-20-89
LAYERS PLOTTED: 1 2 3 4 10
15 19

DATABASE FILE: FFF06SER CHECKED BY: B. Desi DATE: 8-15-89 APPROVED: 15/12/89 DATE: 9-25-89 TOLERANCES: UNLESS OTHERWISE NOTED X.X .050" X.XX .010" X.XXX .005" ANGLES .500"	PROPRIETARY THIS DRAWING DOCUMENT CONTAINS INFORMATION WHICH IS PROPRIETARY TO AND IS THE PROPERTY OF THE FENDER MUSICAL INSTRUMENTS CO. AND MAY NOT BE USED, REPRODUCED OR DISCLOSED IN ANY MANNER WITHOUT THE WRITTEN CONSENT OF FENDER. FENDER MUSICAL INSTRUMENTS CO. 1138 COLUMBIA ST. BREA, CALIFORNIA 92621 ROCK TELL YOU WHO!	FENDER MUSICAL INSTRUMENTS CO. 1138 COLUMBIA STREET BREA, CALIFORNIA 92621 TITLE: SERVICE DIAGRAM FOR POWER CHORUS AMPLIFIER SIZE: B DRAWN: B. DESI CHECKED: B. DESI SCALE: DATE: 9-22-89 SHEET 1 OF 1
---	--	---

REVISIONS				
ZONE	REV.	DESCRIPTION	DATE	APPROVED
	A	RELEASED PR#117	6-23-89	<i>[Signature]</i>
	B	EC#504	8-3-89	<i>[Signature]</i>
	C	EC#513	9-22-89	<i>[Signature]</i>

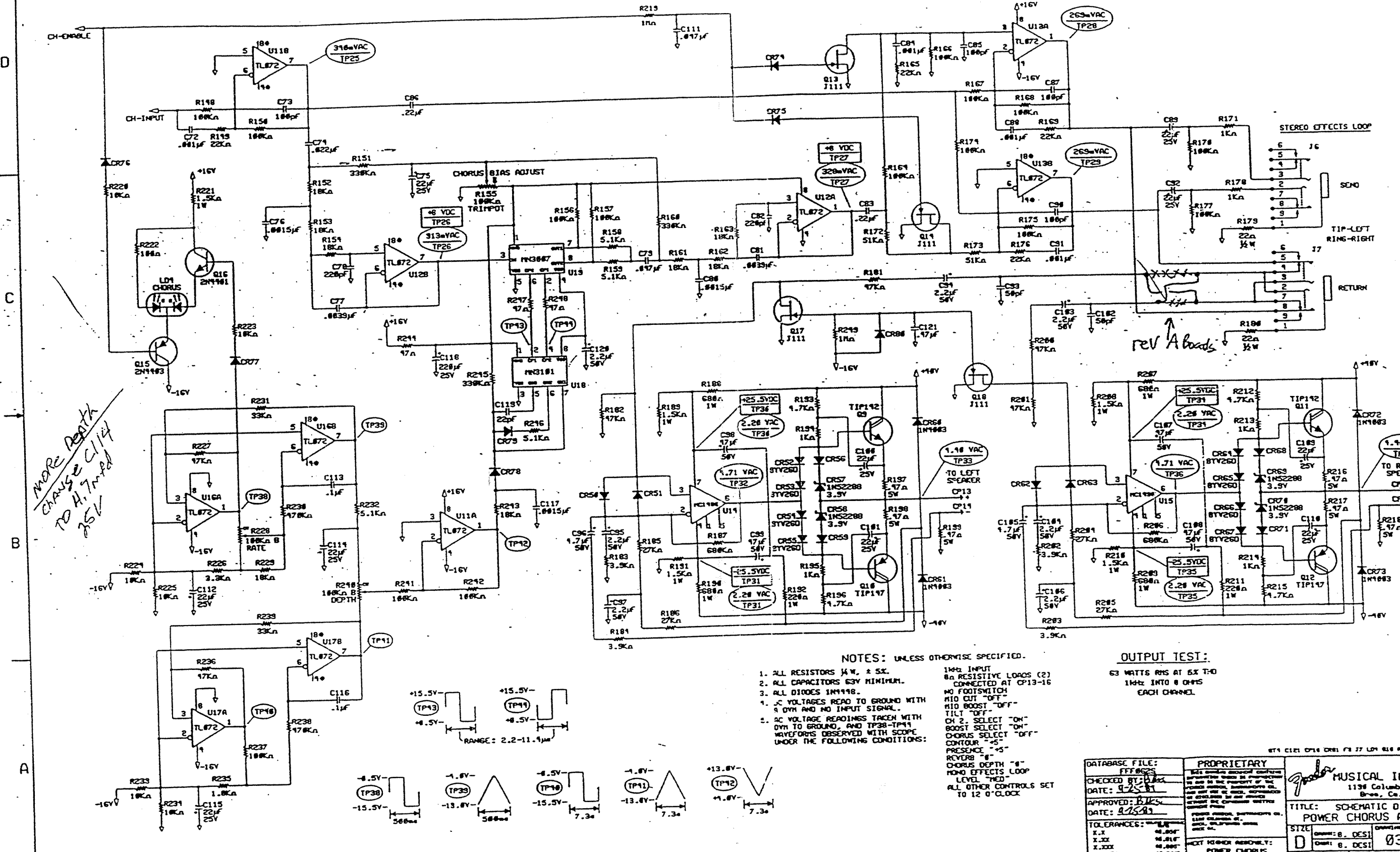


- NOTES: UNLESS OTHERWISE SPECIFIED.
1. ALL RESISTORS $\frac{1}{4}W$, $\pm 5\%$.
 2. ALL CAPACITORS 63V MINIMUM.
 3. ALL DIODES 1M1118.
 4. DC VOLTAGES READ TO GROUND WITH A DVM AND NO INPUT SIGNAL.
 5. AC VOLTAGE READINGS TAKEN WITH DVM TO GROUND, AND TP28-TP44 WAVEFORMS OBSERVED WITH SCOPE UNDER THE FOLLOWING CONDITIONS:



DATABASE FILE: FF76516 CHECKED BY: PZZ DATE: 9-25-89 APPROVED: PZZ DATE: 9-25-89 TOLERANCES: $\pm 1\%$ I.XX .01% I.XXX .05% I.XXXX .1%	PROPRIETARY THIS DOCUMENT CONTAINS PROPRIETARY INFORMATION WHICH IS THE PROPERTY OF FENDER MUSICAL INSTRUMENTS CO. ALL RIGHTS ARE RESERVED. NO PART OF THIS DOCUMENT IS TO BE REPRODUCED OR TRANSMITTED IN ANY FORM OR BY ANY MEANS WITHOUT THE WRITTEN PERMISSION OF FENDER MUSICAL INSTRUMENTS CO. FENDER MUSICAL INSTRUMENTS CO. 1138 COLUMBIA STREET BRCA, CA. 92621	MUSICAL INSTRUMENTS 1138 Columbia Street Brca, Ca. 92621 TITLE: SCHEMATIC DIAGRAM POWER CHORUS AMPLIFIER SIZE: 0 DRAWING NUMBER: 033063 REV. C SCALE: DATE: 9-22-89 SHEET 1 OF 2
---	---	---

REVISIONS			
REV.	DESCRIPTION	DATE	APPROVED
A	RELEASED PR#117	6-23-89	BLS
B	EC#504	8-3-89	BLS
C	EC#513	9-22-89	BLS

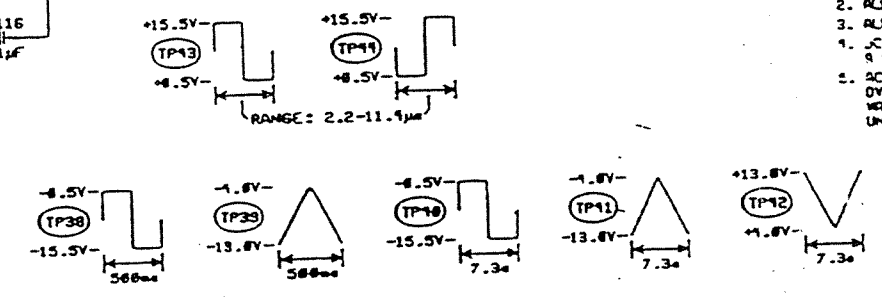


MORE DEPTH
CHANGE C114
TO 4.7µF @
25V

rev A boards

- NOTES: UNLESS OTHERWISE SPECIFIED.
- ALL RESISTORS 1/4W, ±5%.
 - ALL CAPACITORS 63V MINIMUM.
 - ALL DIODES 1N4148.
 - DC VOLTAGES READ TO GROUND WITH 0VW AND NO INPUT SIGNAL.
 - AC VOLTAGE READINGS TAKEN WITH 0VW TO GROUND, AND TP38-TP41 WAVEFORMS OBSERVED WITH SCOPE UNDER THE FOLLOWING CONDITIONS:
- 1kHz INPUT
8Ω RESISTIVE LOADS (2) CONNECTED AT CP13-16
NO FOOTSWITCH
M10 CUT "OFF"
M10 BOOST "OFF"
TILT "OFF"
CH 2. SELECT "ON"
BOOST SELECT "ON"
CHORUS SELECT "OFF"
CONTOR "5"
PRESENCE "5"
REVERB "8"
CHORUS DEPTH "8"
NONO EFFECTS LOOP LEVEL "MED"
ALL OTHER CONTROLS SET TO 12 O'CLOCK

OUTPUT TEST:
63 WATTS RMS AT 6X T10
1kHz INTO 8 OHMS
EACH CHANNEL



DATABASE FILE: EFF#625 CHECKED BY: BLS DATE: 9/25/89 APPROVED: BLS DATE: 9/25/89	PROPRIETARY THIS DOCUMENT CONTAINS INFORMATION WHICH IS PROPRIETARY TO THE PROPERTY OF THE GARDNER BROS. MANUFACTURING CO. AND MAY BE OF CONFIDENTIAL OR OTHERWISE BE NOT APPROVED FOR RELEASE BY THE COMPANY WITHOUT THE WRITTEN CONSENT OF THE COMPANY.	TITLE: SCHEMATIC DIAGRAM POWER CHORUS AMPLIFIER SIZE: D SCALE: DATE: 9-22-89 SHEET 2 OF 2
---	---	--

874 C121 C126 C127 F8 77 L04 R18 R246 OF THE 2044 U19