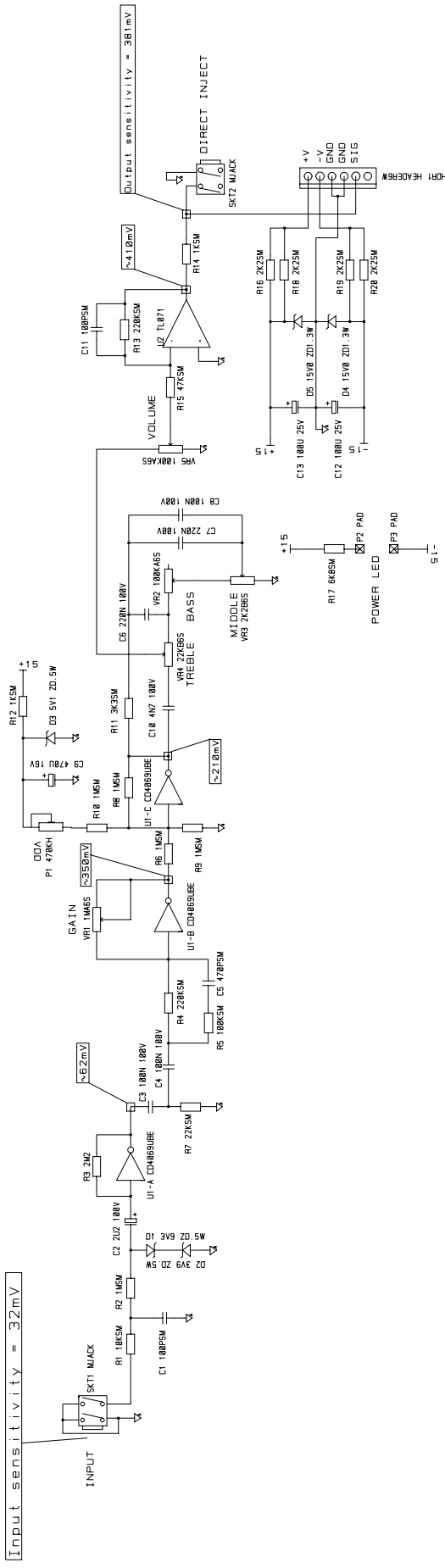


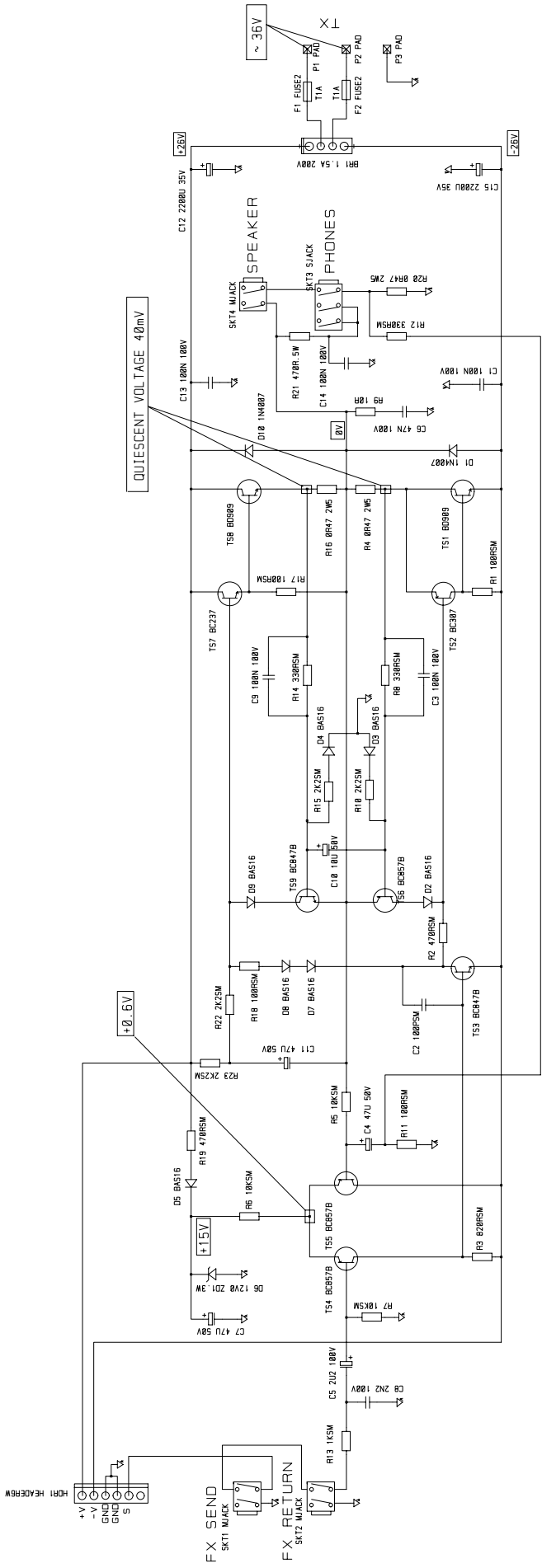
Laney

Service Diagrams



Input sensitivity = GAIN, BASS, MID, TREBLE & VOLUME TURNED UP FULL

| | |
|----------|--------------|
| DRAWN | DEH |
| DATE | 14/03/94 |
| TITLE | LBC30 PREAMP |
| ISSUE | |
| TYPE | |
| DRW. NO. | 9055_2 |



| | |
|----------|------------------|
| DRAWN | DEH |
| DATE | 14/03/94 |
| TITLE | LGC/LBC30 OUTPUT |
| DRW. NO. | 9059_2 |

| | |
|-------|--|
| ISSUE | R14, 15, 100R TO 330R 22/04/94 DEH |
| TYPE | |