

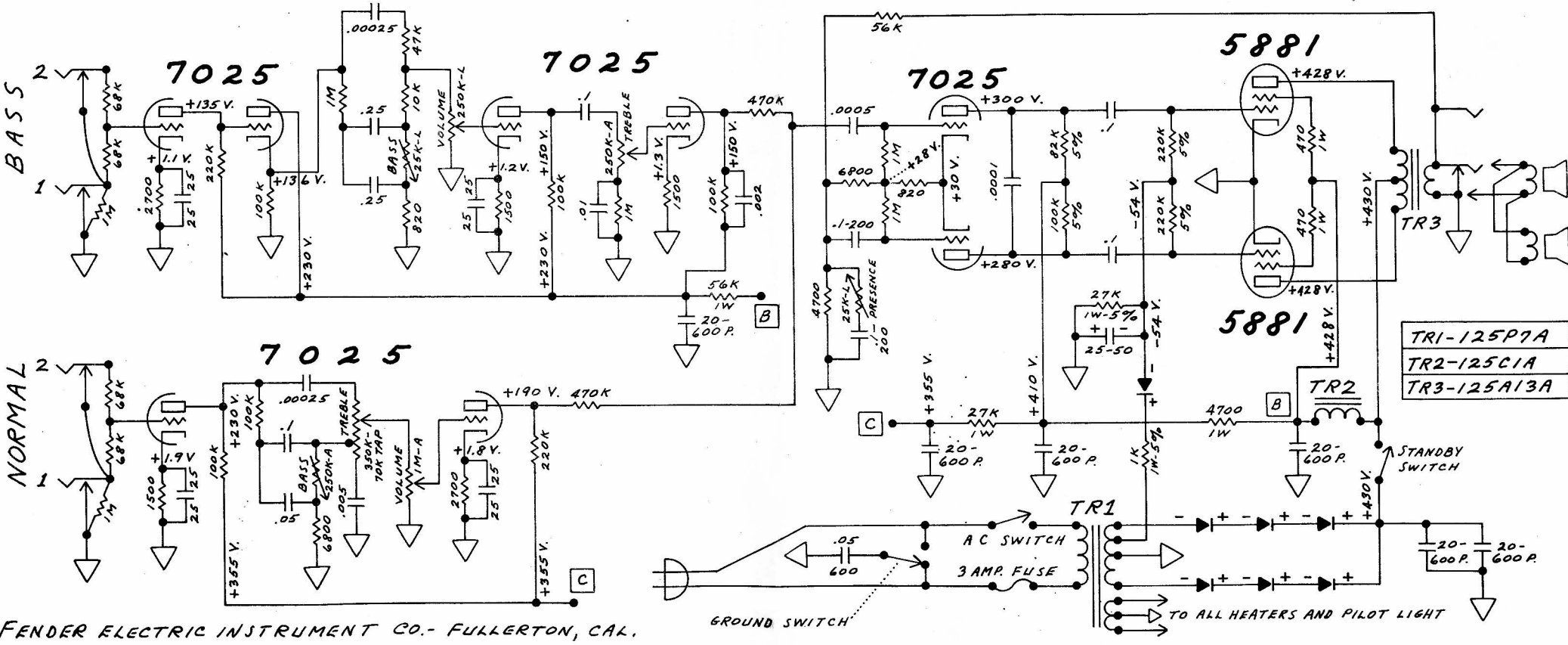
FENDER "BASSMAN" SCHEMATIC MODEL 6G6-B

P/B

E-FB

NOTE

- 1- VOLTAGES READ TO GROUND WITH ELECTRONIC VOLTMETER. VALUES SHOWN + OR - 20%
- 2- ALL RESISTORS 1/2 WATT, 10% TOLERANCE IF NOT SPECIFIED.
- 3- ALL CAPACITORS AT LEAST 400 VOLT RATING IF NOT SPECIFIED.



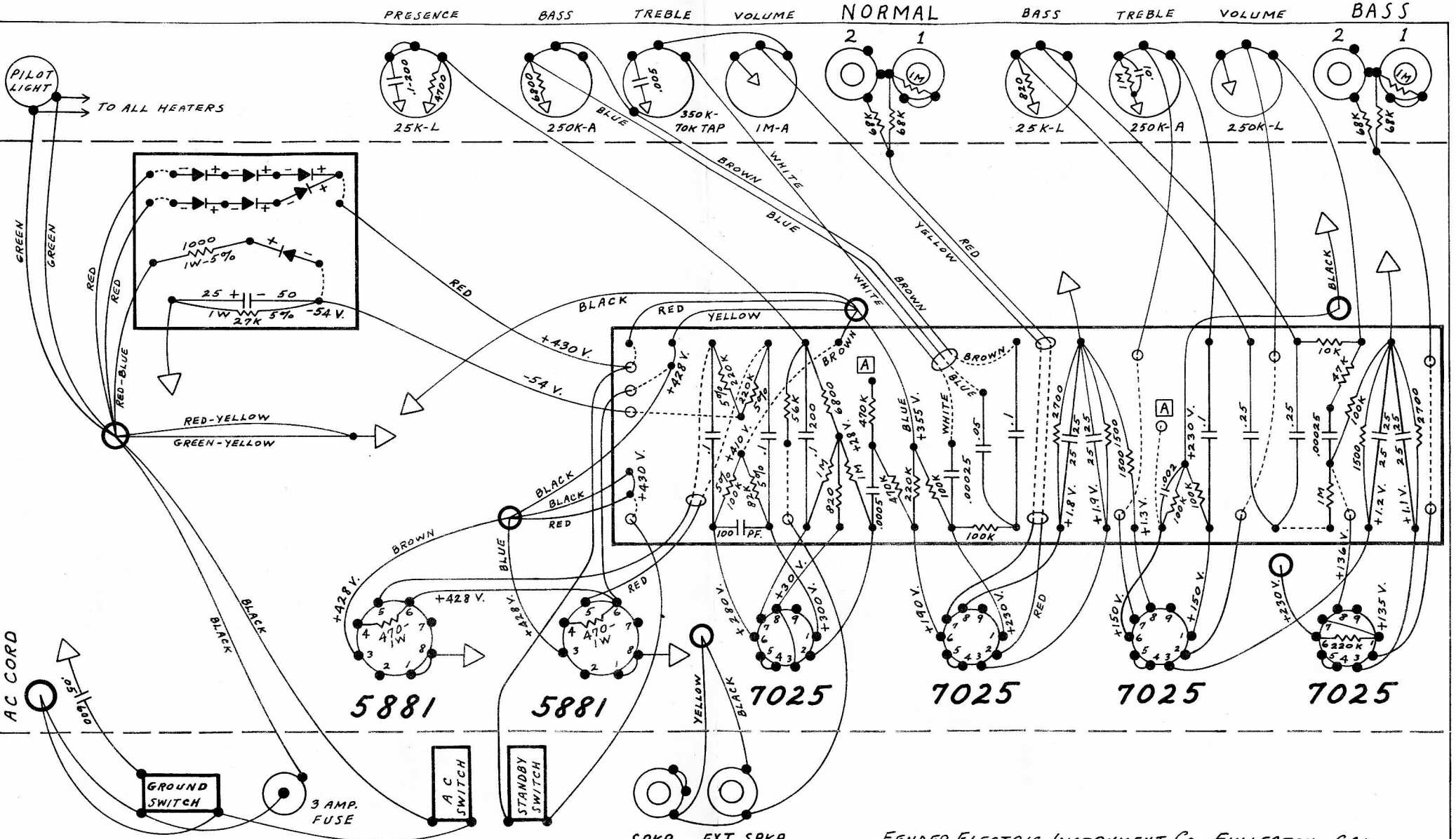
FENDER "BASSMAN" LAYOUT MODEL 6G6-B

P/B

E-FB

NOTE

VOLTAGES READ TO GROUND WITH ELECTRONIC VOLTMETER. VALUES SHOWN + OR - 20%



NOTE- ALL RESISTORS 1/2W-10% TOLERANCE IF NOT SPECIFIED.

NOTE- ALL CAPACITORS AT LEAST 400 VOLT RATING IF NOT SPECIFIED.