

Service Manual

Created: 30 May 2015



T50 INFINIUM

50-Watt Cage-Style 2-Channel Tube Amplifier Head with INFINIUM Tube Life Multiplier, Multi-Class A/AB Operation and Reverb

Specifications	2
PCB Schematic	3
Parts List	7
Exploded Drawing	19

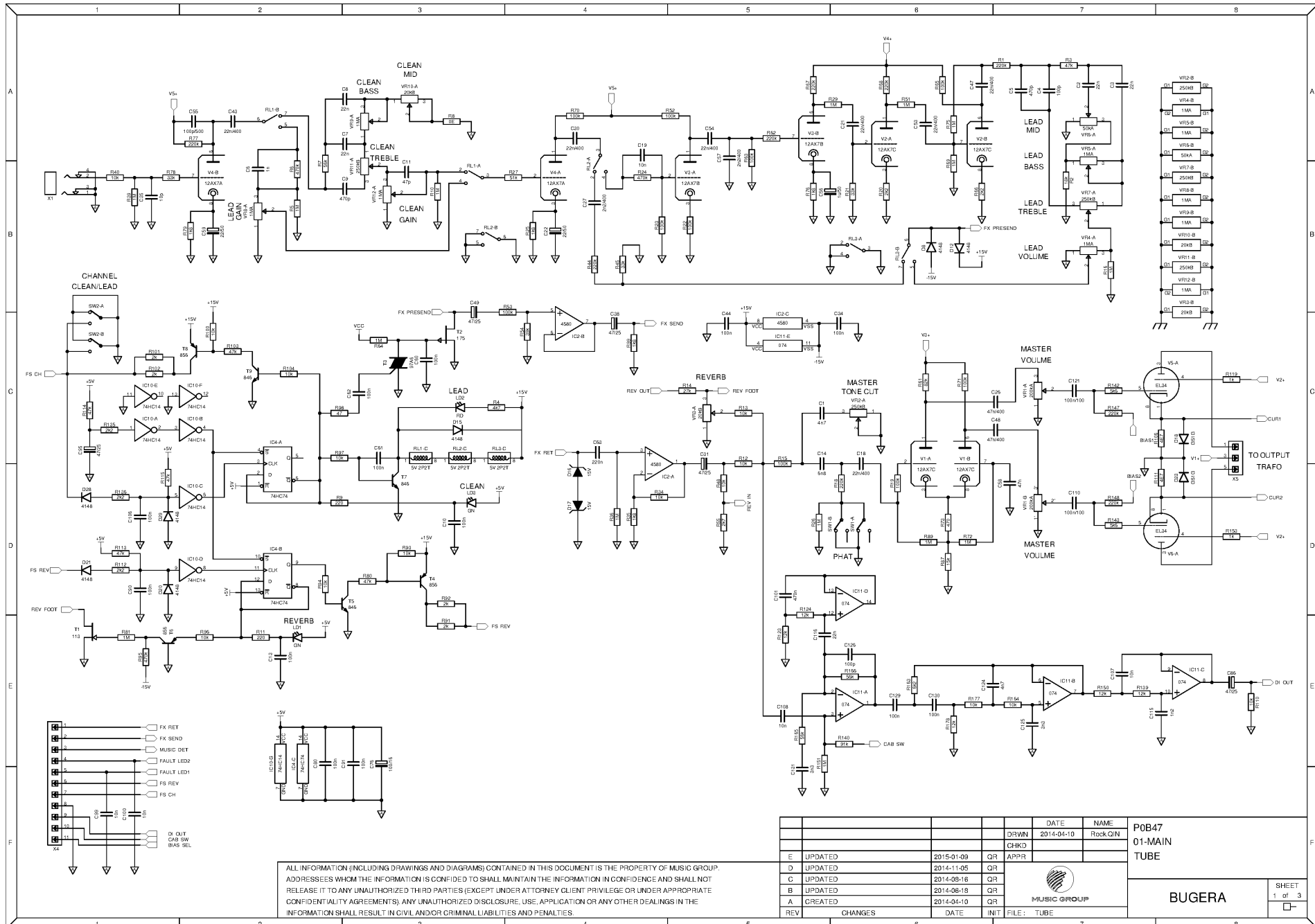
bugera-amps.com

Bugera

T50 INFINIUM

Specifications

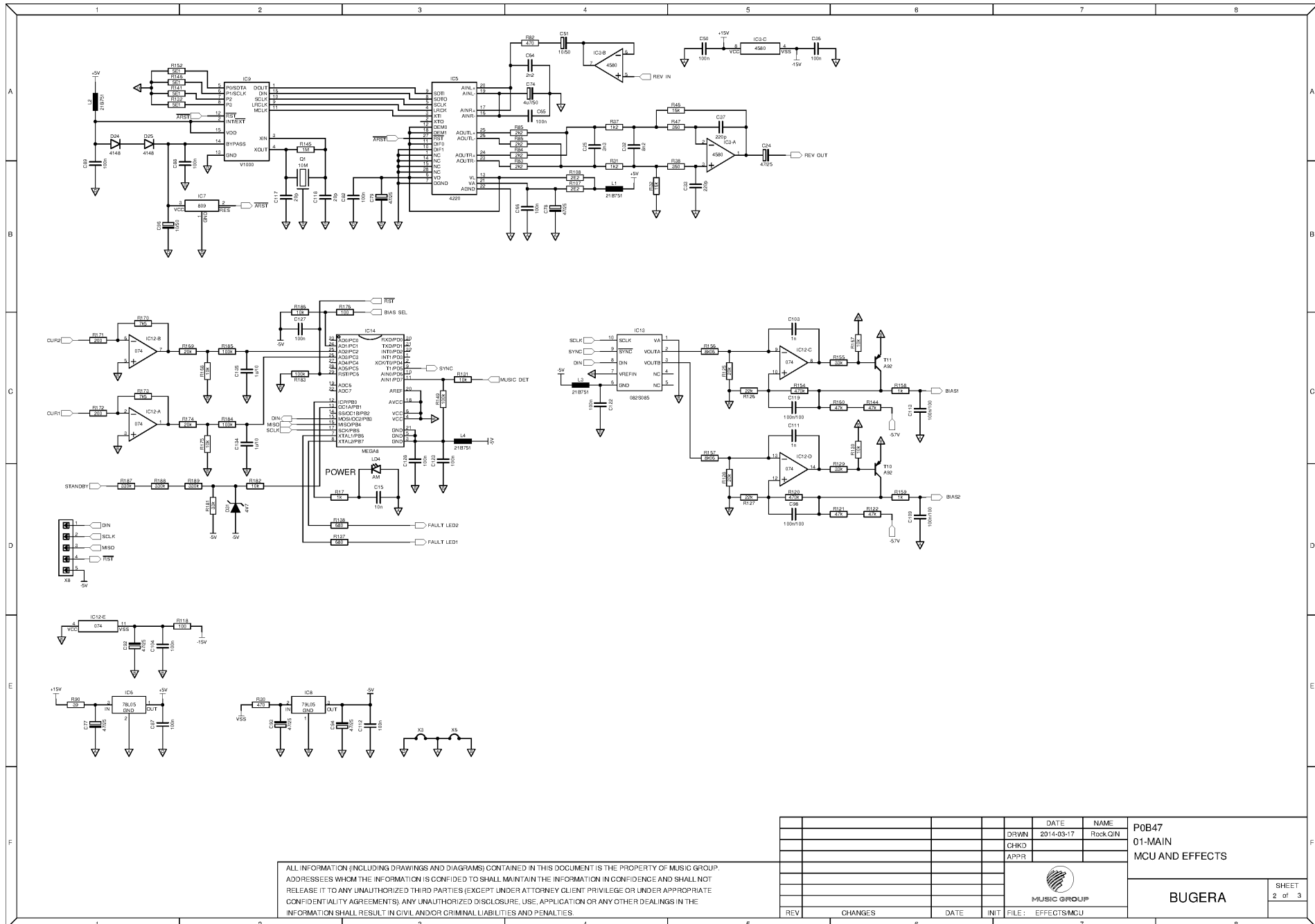
- Hand-built 50-Watt guitar head driven by 4 x 12AX7 and 2 x EL34 tubes
- Authentic 2-channel preamp design—everything from traditional clean/crunch to modern high-gain sounds
- Revolutionary INFINIUM Tube Life Multiplier technology:
 - Extends the life of your amplifier's expensive power tubes up to 20 times
 - Provides incredible reliability and consistent tone over the complete lifespan of your tubes
 - No need for expensive matched tube sets
 - Allows you to mix and match any combination of compatible tubes types and brands
 - Monitors performance of each power tube continuously and displays defective tubes to allow for easy and individual replacement
- Switchable Class-A/AB operation for ultimate power amp voicing: Class-A for classic warmth and Class-AB for raw, high-speed power
- Integrated high-definition reverb with dedicated Reverb control
- Heavy-duty footswitch for Channel and Reverb function included
- Vintage Equalizer section with dedicated Bass, Mid and Treble controls
- Phat switch to boost the sound character of your guitar playing
- Speaker-emulated output with 1 x 12 or 4 x 12 voicing option
- Impedance switch (4, 8 and 16 Ohms) to match virtually any speaker cabinet
- Cage style metallic mirror finish and suitcase-type handle redolent of vintage taste
- 3-Year Warranty Program*
- Designed and engineered by BUGERA Germany



ALL INFORMATION (INCLUDING DRAWINGS AND DIAGRAMS) CONTAINED IN THIS DOCUMENT IS THE PROPERTY OF MUSIC GROUP. ADDRESSEES WHOM THE INFORMATION IS CONFIDED TO SHALL MAINTAIN THE INFORMATION IN CONFIDENCE AND SHALL NOT RELEASE IT TO ANY UNAUTHORIZED THIRD PARTIES (EXCEPT UNDER ATTORNEY CLIENT PRIVILEGE OR UNDER APPROPRIATE CONFIDENTIALITY AGREEMENTS). ANY UNAUTHORIZED DISCLOSURE, USE, APPLICATION OR ANY OTHER DEALINGS IN THE INFORMATION SHALL RESULT IN CIVIL AND/OR CRIMINAL LIABILITIES AND PENALTIES.

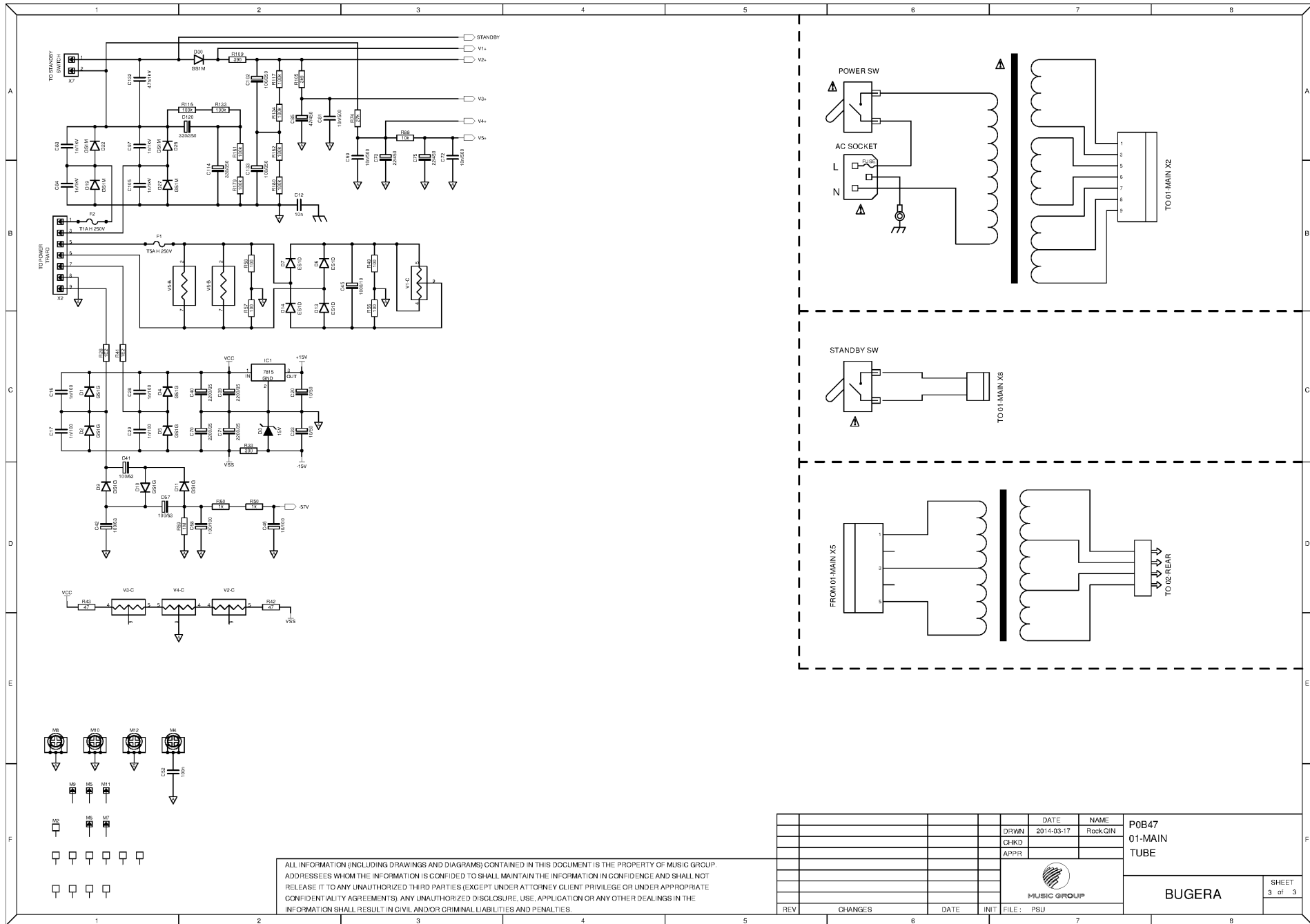
REV	CHANGES	DATE	INIT	FILE:	DATE	NAME	DRWN	CHKD	APPR
E	UPDATED	2015-01-09	QR		2014-04-10	Rock QIN			
D	UPDATED	2014-11-05	QR						
C	UPDATED	2014-08-16	QR						
B	UPDATED	2014-06-18	QR						
A	CREATED	2014-04-10	QR						

MUSIC GROUP		P0B47
		01-MAIN
		TUBE
BUGERA		SHEET 1 of 3



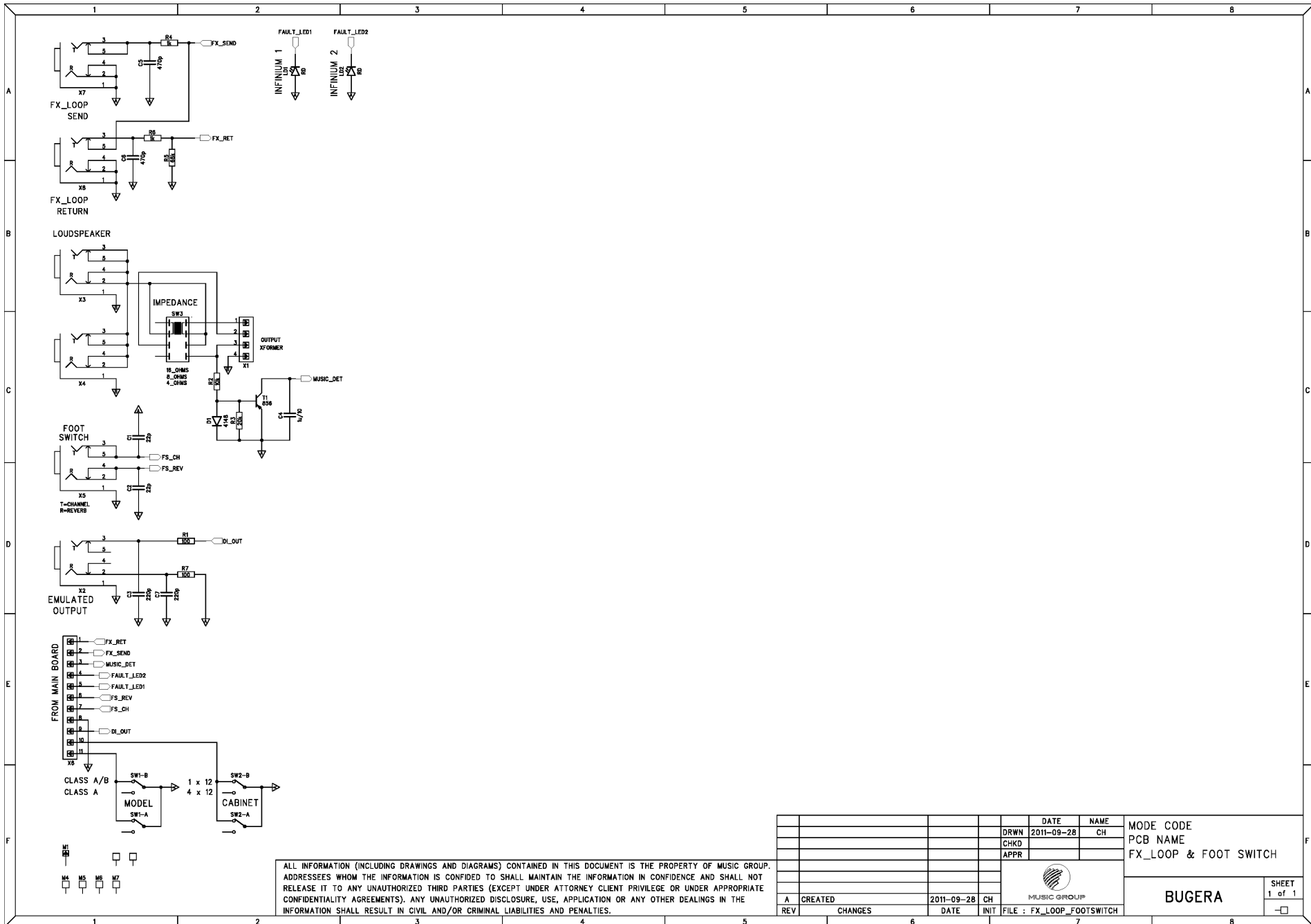
ALL INFORMATION (INCLUDING DRAWINGS AND DIAGRAMS) CONTAINED IN THIS DOCUMENT IS THE PROPERTY OF MUSIC GROUP. ADDRESSEES WHOM THE INFORMATION IS CONFIDED TO SHALL MAINTAIN THE INFORMATION IN CONFIDENCE AND SHALL NOT RELEASE IT TO ANY UNAUTHORIZED THIRD PARTIES (EXCEPT UNDER ATTORNEY CLIENT PRIVILEGE OR UNDER APPROPRIATE CONFIDENTIALITY AGREEMENTS). ANY UNAUTHORIZED DISCLOSURE, USE, APPLICATION OR ANY OTHER DEALINGS IN THE INFORMATION SHALL RESULT IN CIVIL AND/OR CRIMINAL LIABILITIES AND PENALTIES.

REV	CHANGES	DATE	INIT	FILE: EFFECTS.MCU	DRWN: 2014-03-17	NAME: Rock.GIN	P0B47 01-MAIN MCU AND EFFECTS	BUGERA	SHEET 2 of 3
					CHKD:				




ALL INFORMATION (INCLUDING DRAWINGS AND DIAGRAMS) CONTAINED IN THIS DOCUMENT IS THE PROPERTY OF MUSIC GROUP. ADDRESSEES WHOM THE INFORMATION IS CONFIDED TO SHALL MAINTAIN THE INFORMATION IN CONFIDENCE AND SHALL NOT RELEASE IT TO ANY UNAUTHORIZED THIRD PARTIES (EXCEPT UNDER ATTORNEY CLIENT PRIVILEGE OR UNDER APPROPRIATE CONFIDENTIALITY AGREEMENTS). ANY UNAUTHORIZED DISCLOSURE, USE, APPLICATION OR ANY OTHER DEALINGS IN THE INFORMATION SHALL RESULT IN CIVIL AND/OR CRIMINAL LIABILITIES AND PENALTIES.

REV	CHANGES	DATE	INIT	FILE: PSU	DATE	NAME	POB47 01-MAIN TUBE	BUGERA	SHEET 3 of 3



ALL INFORMATION (INCLUDING DRAWINGS AND DIAGRAMS) CONTAINED IN THIS DOCUMENT IS THE PROPERTY OF MUSIC GROUP. ADDRESSEES WHOM THE INFORMATION IS CONFIDED TO SHALL MAINTAIN THE INFORMATION IN CONFIDENCE AND SHALL NOT RELEASE IT TO ANY UNAUTHORIZED THIRD PARTIES (EXCEPT UNDER ATTORNEY CLIENT PRIVILEGE OR UNDER APPROPRIATE CONFIDENTIALITY AGREEMENTS). ANY UNAUTHORIZED DISCLOSURE, USE, APPLICATION OR ANY OTHER DEALINGS IN THE INFORMATION SHALL RESULT IN CIVIL AND/OR CRIMINAL LIABILITIES AND PENALTIES.

		DATE		NAME		MODE CODE PCB NAME FX_LOOP & FOOT SWITCH
		2011-09-28		CH		
		DRWN		CH		
		CHKD		APPR		
		APPR				
						BUGERA
A	CREATED	2011-09-28	CH	FILE : FX_LOOP_FOOTSWITCH		<input type="checkbox"/>
REV	CHANGES	DATE	INIT			

Hi Pcb Assemblies

	Quantity	Unit	S.Sku	M.Sku	Description	Reference Designators	Notes
1	1.0000	PC	Q05-B4701-00105	A05-B4701-00105	PCB ASSEMBLY;POB47;PCB:1;REV:E;HI;MAIN		
2	1.0000	PC	Q05-B4702-00102	A05-B4702-00102	PCB ASSEMBLY;POB47;PCB:2;REV:B;HI;REAR		

Cable

	Quantity	Unit	S.Sku	M.Sku	Description	Reference Designators	Notes
1	0.0980	M		A81-00000-64623	WIRE HARNESS;AWG:26;UL2468;1.5 MM;UL;PIN1 RED;FLAT RIBBON WIRE;POLES;11;PITCH:1mm5;PVC, 80C 300V		
2	1.0000	PC		A81-00000-98145	WIRE HARNESS;LENGTH:80 MM;AWG:26;UL2468;PITCH:2 MM;POLES:11;A2006H-11P;P1018-11P	[POB47:2: {1.0}(X6)]	
3	1.0000	PC		A81-10070-22822	WIRE HARNESS;LENGTH:100mm;ZEE;POLES:2;UL1015;P:3mm96;HOUSING -7mm STRIP/TIN		
4	1.0000	PC	Q76-15222-06417	A76-15222-06417	CABLE;AC-CORD;W/POLYBAG;LENGTH:152cm;AWG:18;VERSION;UL;SPEC.NO:0 6417		(UL)
5	1.0000	PC	Q76-15212-03119	A76-15212-03119	CABLE;AC-CORD;W/POLYBAG;LENGTH:152cm;H05VV-F 3G 0.75MM2;VERSION;EU;SPEC.NO:03119		(EU)
6	1.0000	PC	Q76-15042-05624	A76-15042-05624	CABLE;AC-CORD;W/POLYBAG;LENGTH:150cm;H05VV-F3G0.75MM2;VERSION;UK;SPEC.NO:05624		(UK)
7	1.0000	PC	Q76-00000-13573	A76-00000-13573	CABLE;AC-CORD;3;AR;1500 MM;Plug + Connector:321+730;H05VV-F 3G0.75		(AR)
8	1.0000	PC	Q76-00000-05305	A76-00000-05305	CABLE;AC-CORD;3;BR;1500 MM;Plug + Connector:375+730;H05VV-F 3G0.75		(BR)
9	1.0000	PC	Q76-18050-47490	A76-18050-47490	CABLE;AC-CORD;LENGTH:180cm;VERSION:SAA;PLUG:HE105 ISOLATED;SAA H05VV-F 3x0.75mm2;CONN.HP-3;SPEC.NO:47490		(SAA)
10	1.0000	PC	Q76-15032-55649	A76-15032-55649	CABLE;AC-CORD;CLASS II;W/POLYBAG;JAPAN;LENGTH:150cm;POLES:3;APPROVAL:PSE;JS155 3 + VCTF 3x0.75mm2 + V1528		(HM, SH)

Capacitor

	Quantity	Unit	S.Sku	M.Sku	Description	Reference Designators	Notes
1	1.0000	PC			CAP E;100uF;16V;PITCH:2mm5;5mm x 11mm;VERTICAL 12.7-15-9mm	[P0B47:1: {1.0}(C76)]	*NOT available in DP
2	12.0000	PC			CAP E;47uF;25V;PITCH:2mm5;5mm x 11mm;VERTICAL 12.7-15-9mm	[P0B47:1: {12.0}(C24,C31,C38,C49,C77-C79,C86,C92-C95)]	*NOT available in DP
3	1.0000	PC			CAP E;4uF;50V;PITCH:2mm5;5mm x 11mm;VERTICAL 12.7-15-9mm	[P0B47:1: {1.0}(C74)]	*NOT available in DP
4	2.0000	PC			CAP E;10uF;50V;PITCH:2mm5;5mm x 11mm;VERTICAL 12.7-15-9mm	[P0B47:1: {2.0}(C51,C96)]	*NOT available in DP
5	3.0000	PC			CAP CER;1uF;10V;+80% /-20%;SMT603	[P0B47:1: {2.0}(C134-C135)]	*NOT available in DP
6	1.0000	PC			CAP CER;100pF;25V;COG;10%;SMT805	[P0B47:1: {1.0}(C4)]	*NOT available in DP
7	1.0000	PC			CAP CER;470nF;25V;X7R;10%;SMT805	[P0B47:1: {1.0}(C101)]	*NOT available in DP
8	2.0000	PC			CAP CER;20pF;50V;20%;SMT603	[P0B47:1: {2.0}(C117-C118)]	*NOT available in DP
9	2.0000	PC			CAP CER;22pF;50V;10%;SMT603	[P0B47:2: {2.0}(C1-C2)]	*NOT available in DP
10	1.0000	PC			CAP CER;100pF;50V;5%;COG;SMD603	[P0B47:1: {1.0}(C126)]	*NOT available in DP
11	4.0000	PC			CAP CER;220pF;50V;10%;SMT603	[P0B47:1: {2.0}(C33,C37)]	*NOT available in DP
12	2.0000	PC			CAP CER;470pF;50V;10%;SMT603	[P0B47:2: {2.0}(C5-C6)]	*NOT available in DP
13	1.0000	PC			CAP CER;1nF;50V;10%;SMT603	[P0B47:1: {1.0}(C6)]	*NOT available in DP
14	2.0000	PC			CAP CER;1nF;50V;COG;5%;SMT603;(MURATA GRM1885C1H102JA01D)	[P0B47:1: {2.0}(C103,C111)]	*NOT available in DP
15	1.0000	PC			CAP CER;1nF;50V;10%;SMT603	[P0B47:1: {1.0}(C115)]	*NOT available in DP
16	1.0000	PC			CAP CER;2nF;50V;10%;SMT603	[P0B47:1: {1.0}(C64)]	*NOT available in DP
17	1.0000	PC			CAP CER;3nF;50V;10%;SMT603	[P0B47:1: {1.0}(C25)]	*NOT available in DP
18	2.0000	PC			CAP CER;3nF;50V;X7R;10%;SMT603	[P0B47:1: {2.0}(C125,C131)]	*NOT available in DP
19	1.0000	PC			CAP CER;4nF;50V;10%;SMT603	[P0B47:1: {1.0}(C124)]	*NOT available in DP
20	1.0000	PC			CAP CER;8nF;50V;10%;SMT603	[P0B47:1: {1.0}(C32)]	*NOT available in DP
21	5.0000	PC			CAP CER;10nF;50V;10%;SMT603	[P0B47:1: {5.0}(C15,C99-C100,C107-C108)]	*NOT available in DP
22	1.0000	PC			CAP CER;22nF;50V;10%;SMT603	[P0B47:1: {1.0}(C116)]	*NOT available in DP
23	28.0000	PC			CAP CER;100nF;50V;10%;SMT603	[P0B47:1: {28.0}(C10,C13,C34,C36,C44,C50,C52,C60-C62,C65-C66,C80,C82,C87-C91,C104,C106,C112,C122-C123,C127-C130)]	*NOT available in DP
24	1.0000	PC			CAP CER;10pF;50V;10%;SMT805	[P0B47:1: {1.0}(C35)]	*NOT available in DP
25	1.0000	PC			CAP CER;47pF;50V;10%;SMT805	[P0B47:1: {1.0}(C11)]	*NOT available in DP
26	2.0000	PC			CAP CER;470pF;50V;COG;5%;SMD805	[P0B47:1: {2.0}(C5,C9)]	*NOT available in DP
27	1.0000	PC			CAP CER;6nF;50V;10%;SMT805;X7R	[P0B47:1: {1.0}(C14)]	*NOT available in DP
28	2.0000	PC			CAP CER;10nF;50V;10%;SMT805	[P0B47:1: {2.0}(C12,C19)]	*NOT available in DP
29	4.0000	PC			CAP CER;22nF;50V;10%;SMT805	[P0B47:1: {4.0}(C2-C3,C7-C8)]	*NOT available in DP
30	1.0000	PC			CAP CER;47nF;50V;20%;SMT805	[P0B47:1: {1.0}(C58)]	*NOT available in DP
31	1.0000	PC			CAP CER;4nF;50V;X7R;10%;SMD805	[P0B47:1: {1.0}(C1)]	*NOT available in DP
32	1.0000	PC			CAP CER;220nF;50V;10%;SMT805	[P0B47:1: {1.0}(C63)]	*NOT available in DP
33	4.0000	PC			CAP CER;1nF;100V;X7R;SMT603	[P0B47:1: {4.0}(C16-C17,C28-C29)]	*NOT available in DP
34	6.0000	PC			CAP CER;100nF;100V;X7R;10%;SMD1206	[P0B47:1: {6.0}(C98,C109-C110,C113,C119,C121)]	*NOT available in DP
35	2.0000	PC			CAP E;22uF;450V;20%;PITCH:5mm;13mm x 25mm;105C;VERTICAL 12.7-15-9mm	[P0B47:1: {2.0}(C73,C75)]	*NOT available in DP
36	2.0000	PC			CAP E;330 uF;350 V;20 %;PITCH:10 MM;RADIAL;30mm x 31mm;105C;SNAP-IN	[P0B47:1: {2.0}(C114,C120)]	*NOT available in DP
37	2.0000	PC			CAP E;100uF;350V;20%;PITCH:7mm5;18mm x 32mm;PRE CUT:3mm2-0/+0mm2;105C	[P0B47:1: {2.0}(C102,C133)]	*NOT available in DP
38	1.0000	PC			CAP E;47 uF;450V;20%;PITCH:7mm5;18mm x 25mm;PRE CUT:3mm2-0/+0mm2;105 C	[P0B47:1: {1.0}(C85)]	*NOT available in DP
39	1.0000	PC			CAP E;LOW ESR;1 mF;16 V;20 %;PITCH:5 MM;RADIAL;8x20;VERTICAL 12.7-15-9mm;KF SERIES;TAPING	[P0B47:1: {1.0}(C45)]	*NOT available in DP

	Quantity	Unit	S.Sku	M.Sku	Description	Reference Designators	Notes
40	4.0000	PC			CAP CER;1nF;1KV;20%;PITCH:5mm;DISC;VERTICAL 12.7-15-9mm	[P0B47:1: {4.0}{C83-C84,C97,C105}]	*NOT available in DP
41	1.0000	PC			CAP CER;100pF;500V;20%;PITCH:5mm;DISC;VERTICAL 12.7-15-9mm	[P0B47:1: {1.0}{C55}]	*NOT available in DP
42	3.0000	PC			CAP CER;10nF;500V;PITCH:5mm;DISC;VERTICAL 12.7-15-9mm	[P0B47:1: {3.0}{C69,C72,C81}]	*NOT available in DP
43	2.0000	PC			CAP FILM;2nF2;400V;POLYESTER;METALLIZED;P:5mm;5%;BOX;T/R;VERTICAL 12.7-15-9mm	[P0B47:1: {2.0}{C27,C57}]	*NOT available in DP
44	7.0000	PC			CAP FILM;22nF;400V;MPF;10%;PITCH:5mm;VERTICAL 12.7-15-9mm	[P0B47:1: {7.0}{C18,C21,C30,C43,C47,C53-C54}]	*NOT available in DP
45	2.0000	PC			CAP FILM;47nF;400V;MPF;10%;PITCH:5mm;BOX;VERTICAL 12.7-15-9mm	[P0B47:1: {2.0}{C26,C48}]	*NOT available in DP
46	1.0000	PC			CAP FILM;47nF;1000V;MPF;10%;PITCH:17mm5;BOX	[P0B47:1: {1.0}{C132}]	*NOT available in DP
47	1.0000	PC			CAP E;1uF;50V;PITCH:2mm5;5mm x 11mm;105C;VERTICAL 12.7-15-9mm	[P0B47:1: {1.0}{C56}]	*NOT available in DP
48	2.0000	PC			CAP E;10uF;50V;PITCH:2mm5;5mm x 11mm;105C;VERTICAL 12.7-15-9mm	[P0B47:1: {2.0}{C20,C23}]	*NOT available in DP
49	2.0000	PC			CAP E;22uF;50V;PITCH:2mm5;6.3mm x 11mm;VERTICAL 12.7-15-9mm	[P0B47:1: {2.0}{C22,C59}]	*NOT available in DP
50	3.0000	PC			CAP E;100uF;63V;PITCH:5mm; ;10mm x 12.5mm;VERTICAL 12.7-15-9mm	[P0B47:1: {3.0}{C41-C42,C67}]	*NOT available in DP
51	1.0000	PC			CAP E;100uF;100V;20%;PITCH:5mm;10mm x 20mm;105C;VERTICAL 12.7-15-9mm	[P0B47:1: {1.0}{C68}]	*NOT available in DP
52	1.0000	PC			CAP E;10uF;100V;PITCH:2mm5;6mm3 x 11mm;105C;VERTICAL 12.7-15-9mm	[P0B47:1: {1.0}{C46}]	*NOT available in DP
53	4.0000	PC			CAP E;2mF2;35V;20%;PITCH:7mm5;16mm x 25mm;PRECUT:3mm2 - 0/+0mm2;105C	[P0B47:1: {4.0}{C39-C40,C70-C71}]	*NOT available in DP

Circuit Protector

	Quantity	Unit	S.Sku	M.Sku	Description	Reference Designators	Notes
1	4.0000	PC	R21-15201-52000	B21-15201-52000	FUSE CLIP;2 A;ZINC PLATING;250V;SERIES;520;FUSE;250 V;PLATING	[P0B47:1: {4.0}{F1-F2}]	
2	1.0000	PC	R22-01515-00001	B22-01515-00001	FUSE;5A;250V;SLOW BLOW;H-TYPE;5mm x 20mm		
3	1.0000	PC	R22-01513-31501	B22-01513-31501	FUSE;3A15;250V;SLOW BLOW;H-TYPE;5mm x 20mm		(UL, BR, HM, SH)
4	2.0000	PC	R22-01513-16001	B22-01513-16001	FUSE;1A6;250V;SLOW BLOW;H-TYPE;5mm x 20mm		(EU, UK, SAA, AR)
5	1.0000	PC	R22-01513-16001	B22-01513-16001	FUSE;1A6;250V;SLOW BLOW;H-TYPE;5mm x 20mm		(UL, BR, HM, SH)

Coil

	Quantity	Unit	S.Sku	M.Sku	Description	Reference Designators	Notes
1	4.0000	PC	R39-00000-03394	B39-00000-03394	COIL;SMD;BEAD;SMD0805;(BLM21BD751SN1D)	[P0B47:1: {4.0}{L1-L4}]	

Connector

	Quantity	Unit	S.Sku	M.Sku	Description	Reference Designators	Notes
1	2.0000	PC	R84-22000-06018	B84-22000-06018	CRIMP TERMINAL;PITCH:3mm96;AWG18-22;A3963TOP-2		
2	11.0000	PC	R84-25016-06014	B84-25016-06014	CRIMP TERMINAL;PITCH:2mm0;AWG24-30;A2008TOP-2		
3	1.0000	PC	R84-42050-00155	B84-42050-00155	CRIMP CONNECTOR;LUG;INNER DIA:4mm3;AWG 14-18;WIRE MOUNT;STRAIGHT		

Diode

	Quantity	Unit	S.Sku	M.Sku	Description	Reference Designators	Notes
1	10.0000	PC			DIODE;LL4148;LL34;TEMIC OR FC;SMD	[P0B47:1: {9.0}{D8,D12,D15,D20-D21,D24-D25,D28-D29}]	*NOT available in DP
2	9.0000	PC			DIODE;GP;GS1G;400V;1A;DO-214AC;SMD	[P0B47:1: {9.0}{D1-D2,D4-D5,D9-D11,D18,D23}]	*NOT available in DP
3	1.0000	PC			DIODE;ZD15V0;BZX85C15;DO41	[P0B47:1: {1.0}{D3}]	*NOT available in DP
4	1.0000	PC			DIODE;ZMM04V7;SMD1206;SMD	[P0B47:1: {1.0}{D31}]	*NOT available in DP
5	2.0000	PC			DIODE;ZMM15V0;SMD1206	[P0B47:1: {2.0}{D16-D17}]	*NOT available in DP
6	5.0000	PC			DIODE;RECTIFIER;SMD;SMA;1A;1000V;GS1MW	[P0B47:1: {5.0}{D19,D22,D26-D27,D30}]	*NOT available in DP
7	4.0000	PC			DIODE;SUPERFAST;ES1D;200V;1A;15NS;DO-214AC;SMD	[P0B47:1: {4.0}{D6-D7,D13-D14}]	*NOT available in DP

Hardware

	Quantity	Unit	S.Sku	M.Sku	Description	Reference Designators	Notes
1	1.0000	PC			CABLE TIE;NYLON;.4in;COLOR:		*NOT available in DP
2	0.5000	G			SCREWLOCK;SPEC.NO:01090		*NOT available in DP
3	1.0000	PC			NUT;M:4 MM;4.2 MM;HEX WASHER;8.3 MM;ZINC;BLUE;HEXAGON REC.;0.5 MM;M4*0.75mm NUT WITH TEETH EXTERNAL WASHER		*NOT available in DP
4	2.0000	PC			HEX.NUT;12 MM;2 MM;NICKEL;SILVER;0.75 MM		*NOT available in DP
5	1.0000	PC			HEX.NUT T-NUT;11.11 MM;4 MM;17 MM;NICKEL;SILVER;OCT. NUT;7/16" x G20		*NOT available in DP
6	4.0000	PC			HEX. NUT;INNER DIA;M4mm;SURFACE:ZINC		*NOT available in DP
7	4.0000	PC			HEX. NUT;INNER DIA;M5mm;SURFACE:ZINC		*NOT available in DP
8	11.0000	PC			HEX PIPE-NUT;THREAD-DIA;M9mm;HEIGHT:2mm;SURFACE:ZINC		*NOT available in DP
9	6.0000	PC			OCT. NUT;FOR JACK;3/8in;OCTWRENCH:14.5mm;THICKNESS:3.5mm;SURFACE:NICKEL/SILVER		*NOT available in DP
10	1.0000	PC			HEX. NUT;INNER DIA:13mm;SURFACE:ZINC		*NOT available in DP
11	4.0000	PC		F87-00001-02809	RUBBER;ROUND;BLACK;P0B47;RUBBER FEET		
12	4.0000	PC	V87-00200-10103	F87-00200-10103	RUBBER BUSHING;I00172P-DST.NO:002;DPT.NO:10103;(I00172P-RUBBER_BUSHING-REV8.dwf)		
13	4.0000	PC			SCREW;M;LEN:12 MM;PAN;ZINC;WHITE;PHILIPS REC.;M5X12		*NOT available in DP
14	4.0000	PC			SCREW;M;DIA:5 MM;LEN:11 MM;OVAL.OD:10 MM;CHROME;CROSS REC.;PITCH:0.8 MM;MECHANICAL SCREW,C1018		*NOT available in DP
15	2.0000	PC			SCREW;M3mm*3mm;HEAD:PAN WASHER DIA 4mm5;INSERT:PHILIPS REC.;SURFACE:BLACK/ZINC		*NOT available in DP
16	4.0000	PC			SCREW;M3mm*5mm;HEAD:BINDING;INSERT:PHILIPS REC.;SURFACE:BLACK/ZINC		*NOT available in DP
17	2.0000	PC			SCREW;BT3mm*6mm;HEAD:PAN;INSERT:PHILIPS REC.;SURFACE:ZINC		*NOT available in DP
18	4.0000	PC			SCREW;M3mm*6mm;HEAD:PAN;INSERT:PHILLIPS REC.;SURFACE:BLACK/ZINC		*NOT available in DP
19	10.0000	PC			SCREW;M3mm*7mm;HEAD:BINDING;INSERT:PHILIPS REC.;SURFACE:SILVER/ZINC		*NOT available in DP
20	2.0000	PC			SCREW;M3mm*8mm;HEAD:FLAT;INSERT:PHILLIPS REC.;SURFACE:ZINC/BLACK		*NOT available in DP
21	10.0000	PC			SCREW;M03mm*08mm;HEAD:PAN SPRING WASHER;INSERT:PHILIPS REC.;SURFACE:SILVER/ZINC		*NOT available in DP
22	4.0000	PC			SCREW;M3mm*12mm;HEAD:PAN;INSERT:PHILIPS REC.;SURFACE:BLACK/ZINC		*NOT available in DP
23	4.0000	PC			SCREW;M4mm*10mm;HEAD:PAN;INSERT:PHILIPS REC.;SURFACE:SILVER/ZINC		*NOT available in DP
24	1.0000	PC			SILICA GEL;MASS;30g;SPEC.NO:30QB-BB2001-4		*NOT available in DP
25	4.0000	PC			SPRING;0.7 MM;23.5 MM;7.5 MM;NICKEL;SV;P0739-TUBE_SPRING		*NOT available in DP
26	0.0100	M			SHRINKING TUBE;INNER DIA;3mm;SPEC.NO:01097		*NOT available in DP
27	0.1000	M			SHRINKING TUBE;INNER DIA;4mm;SPEC.NO:01098		*NOT available in DP
28	0.0400	M			SHRINKING TUBE;INNER DIA;6mm;SPEC.NO:01099		*NOT available in DP
29	0.0400	M			SHRINKING TUBE;INNER DIA;25mm;THICKNESS:0mm5;		*NOT available in DP
30	6.0000	PC			WASHER;9.7 MM;16 MM;NICKEL;WHITE;WASHER;FLAT;DIM:9.7*16*0.5mm;NIC		*NOT available in DP
31	1.0000	PC			WASHER;10.9 MM;0.5 MM;18 MM;NICKEL;SILVER;PLAIN		*NOT available in DP
32	6.0000	PC			WASHER;PLAIN;INNER DIA:3mm;OUTER DIA:8mm;THICKNESS:1mm;PLATING;NICKEL		*NOT available in DP
33	4.0000	PC			WASHER;PLAIN;INNER DIA:4mm;OUTER DIA:10mm;THICKNESS:1mm;PLATING;NICKEL		*NOT available in DP

	Quantity	Unit	S.Sku	M.Sku	Description	Reference Designators	Notes
34	4.0000	PC			WASHER;PLAIN;INNER DIA:5mm1;OUTER DIA:11mm;THICKNESS:1mm;PLATING;NICKEL		*NOT available in DP
35	11.0000	PC			WASHER;PLAIN;INNER DIA:9mm6;OUTER DIA:13mm;THICKNESS:0mm5;PLATING;NICKEL		*NOT available in DP
36	4.0000	PC			WASHER;PLAIN;INNER DIA:12mm3;OUTER DIA:16mm6;THICKNESS:0mm5;SURFACE:NICKEL/SILVER		*NOT available in DP
37	4.0000	PC			WASHER;SPRING;INNER DIA:4mm;OUTER DIA:7mm;THICKNESS:1mm7		*NOT available in DP
38	4.0000	PC			WASHER;SPRING;INNER DIA:5mm;OUTER DIA:8mm;THICKNESS:1mm7		*NOT available in DP
39	1.0000	PC			WASHER;SPRING;INNER DIA:14mm5;OUTER DIA:17mm;THICKNESS:1mm5;PLATING;NICKEL		*NOT available in DP
40	1.0000	PC			HEX. NUT;INNER DIA;M7mm;THICKNESS:2mm;SURFACE:ZINC/SILVER		*NOT available in DP
41	1.0000	PC			WASHER;PLAIN;INNER DIA:7mm2;OUTER DIA:12mm;THICKNESS:0mm5;SURFACE:ZINC/SILVER		*NOT available in DP
42	1.0000	PC			WASHER;PLAIN;INNER DIA:7mm2;OUTER DIA:12mm;THICKNESS:0mm5;SURFACE:ZINC/SILVER		*NOT available in DP
43	1.0000	PC			HEX. NUT;INNER DIA;M7mm;THICKNESS:2mm;SURFACE:ZINC/SILVER		*NOT available in DP

Ic

	Quantity	Unit	S.Sku	M.Sku	Description	Reference Designators	Notes
1	1.0000	PC		C60-00000-79902	IC;AD/DA;MSOP;10;DAC082S085	[P0B47:1: {1.0}{IC13}]	
2	1.0000	PC	S60-54422-00528	C60-22422-00528	IC;AD/DA;V4220M;SSOP	[P0B47:1: {1.0}{IC5}]	
3	2.0000	PC		C73-00000-29050	IC;OPAMP;SMD;SOP;8;BA4580RF	[P0B47:1: {2.0}{IC2-IC3}]	
4	2.0000	PC	S73-58007-40514	C73-31007-40514	IC;OPAMP OPAMP;TL074;SOP;	[P0B47:1: {2.0}{IC11-IC12}]	
5	1.0000	PC	S77-05152-03001	C77-05152-03001	IC;VOLT.REGULATOR;78L05;SOT89	[P0B47:1: {1.0}{IC6}]	
6	1.0000	PC	S77-05252-03001	C77-05252-03001	IC;VOLT.REGULATOR;79L05;SOT89	[P0B47:1: {1.0}{IC8}]	
7	1.0000	PC	S77-15107-03010	C77-15107-03010	IC;VOLT.REGULATOR;L7815CV-DG;TO220	[P0B47:1: {1.0}{IC1}]	
8	1.0000	PC	T12-00100-02216	D12-00100-02217	IC;DIG COMM.;EUROTEC;V1000;SOIC	[P0B47:1: {1.0}{IC9}]	
9	1.0000	PC	T22-31001-40514	D22-31001-40514	IC;LOGIC;74HC14;SOP	[P0B47:1: {1.0}{IC10}]	
10	1.0000	PC	T22-31007-40514	D22-31007-40514	IC;LOGIC;74HC74;SOP	[P0B47:1: {1.0}{IC4}]	
11	1.0000	PC	T24-18081-61832	D24-18081-61832	IC;MICROCONTROLLER;ATMEGA8A-AU;SMD;TQFP32		
12	1.0000	PC	T24-48030-02803	D24-48030-02803	IC;MICROCONTROLLER;MAX8095TRG;Vth:2.93V;SOT	[P0B47:1: {1.0}{IC7}]	
13	1.0000	PC		D33-00001-17580	IC;MICROCONTROLLER, PROGRAMMED;FIRMWARE T50 INFINIUM V1.0	[P0B47:1: {1.0}{IC14}]	

Led

	Quantity	Unit	S.Sku	M.Sku	Description	Reference Designators	Notes
1	1.0000	PC	U10-00000-47170	E10-00000-47170	LED;RED;LEN:RED;DIFFUSE;HB;3MM ROUND;ANGLE;BASE:4.5X5.08X6	[P0B47:1: {1.0}{LD2}]	
2	2.0000	PC		E10-00000-79899	LED NB;3mm0 ROUND;GREEN;DIFFUSE;NORMAL BRIGHT;ANGLE;BASE:4.5X5.08X6	[P0B47:1: {2.0}{LD1,LD3}]	
3	1.0000	PC	U10-51610-05431	E10-51610-05431	LED HIB;3mm ROUND;AMBER;VERTICAL;NO RING;WAVELENGTH:610 nm	[P0B47:1: {1.0}{LD4}]	
4	2.0000	PC	U12-57630-00590	E12-57630-00590	LED;3mm ROUND;RD	[P0B47:2: {2.0}{LD1-LD2}]	

Metal Part

	Quantity	Unit	S.Sku	M.Sku	Description	Reference Designators	Notes
1	1.0000	PC		A65-00001-02802	METAL;BOTTOM;POB47;MATERIAL:SECC 1.5mm;SPRAYING;BLACK;BOTTOM CASE		
2	1.0000	PC		A65-00001-03778	METAL;POB47;MATERIAL:SPCC 1.5mm;STAMPING + BENDING;ELECTRONIC PLATING;CHROME;SHIELD CABINET		
3	2.0000	PC		A65-00001-04087	METAL;CAP;POB40;MATERIAL:MN65;BENDING + PUNCHING;POB40-MET_TUBE_CAP;REVA		
4	4.0000	PC		A65-00100-12275	METAL;SPRING HOLDER;P0739;DST.NO:001;DPT.NO:12275;(P0739-SPRING HOLDER-REVA.DWG)		
5	1.0000	PC		J05-00001-04169	METAL;SHELL;POB47;MATERIAL:SECC 1.5mm;SPRAYING;BLACK;A001		

Plastic Part

	Quantity	Unit	S.Sku	M.Sku	Description	Reference Designators	Notes
1	12.0000	PC	W52-00001-15218	G52-00001-15218	PLASTIC;KNOB;POB47;ABS PA747;BLACK;ROTARY KNOB		
2	2.0000	PC		G52-00100-07083	PLASTIC;SWITCH KNOB;P0491;ABS PA757;MOULDING;YS1284A;BLACK;SWITCH;I00168P;DST.NO:001;DPT.NO:07083;(I00168P-SWITCH_KNOB_18MM-REVA.DWG)		
3	2.0000	PC	W52-00100-14962	G52-00100-14962	PLASTIC;PUSH KNOB;I00499P;BLACK CHROME;DST.NO:001;DPT.NO:14962;(I00499P-PUSH_KNOB-REVA)		
4	1.0000	PC	W53-00000-04668	G53-00000-04668	PLASTIC;JEWEL;P0404;AMBER TRANSLUCENT		
5	4.0000	PC	W53-00000-12925	G53-00000-12925	PLASTIC;P0806;RUBBER 70degC;GROMMET;BLACK;12AX7;REV:C		
6	1.0000	PC	W53-40900-05211	G53-40900-05211	LEATHER;HANDLE;P0738;BLACK LEATHER+SILVER METAL		
7	1.0000	PC	W58-00001-04086	G58-00001-04086	PLASTIC;LOGO;POB47;ABS;HOT STAMPING;SILVER, HOT STAMPING		
8	1.0000	PC	W58-00300-08619	G58-00300-08619	PLASTIC;SPACER;PC;MOULDING;BLACK;3MM VERTICAL;DST.NO:003;DPT.NO:08619;(I00129P-LED_SPACER-REVC.DWG)	[POB47:1: {1.0}(M2)]	
9	2.0000	PC	W58-00300-11128	G58-00300-11128	PLASTIC;SPACER;P0062;MOULDING;BLACK;LED SPACER2;DI100 DSP110;DST.NO:003;DPT.NO:11128;(R14-DI100-LEDSPACER2-REVC.DWG)	[POB47:2: {2.0}(P2-P3)]	
10	1.0000	PC	W53-00000-66871	G53-00000-66871	PLASTIC;P0A19;PC;SPACER;INJECTION;NATURAL;BLACK;BK.PC		(UL, BR, HM, SH)
11	2.0000	PC	W53-00000-66871	G53-00000-66871	PLASTIC;P0A19;PC;SPACER;INJECTION;NATURAL;BLACK;BK.PC		(EU, UK, SAA, AR)

Plug Socket

	Quantity	Unit	S.Sku	M.Sku	Description	Reference Designators	Notes
1	3.0000	PC	W64-01211-03174	G64-01211-03174	PLUG;JACK STEREO 6mm3;STRAIGHT SOLDER;W/O MET.RNG.;MET.BUSH;NO NUT/WASHER;(JY-6351G-02-250)	[POB47:2: {3.0}(X5,X7-X8)]	
2	2.0000	PC	W64-14152-03710	G64-14152-03710	PLUG;PCB;PLUG;JACK PHONE;STRAIGHTPCB LUGS;MONO 6mm3;DUAL TIP/NO RING CONTACTS;NO NUT/WASHER;METAL BUSHING;(CHUNSHENG PJ-622HA-EP)	[POB47:2: {2.0}(X3-X4)]	
3	1.0000	PC	W64-16212-00005	G64-16212-00005	PLUG;PCB;PLUG;JACK STEREO 6mm3;STRAIGHTPCB LUGS;NO NUT/WASHER;METAL BUSHING;(CHUNSHENG PJ-632HA)	[POB47:2: {1.0}(X2)]	
4	1.0000	PC	W64-25272-06052	G64-25272-06052	PLUG;JACK STEREO 6mm3;ANGLED;W/O MET.RNG.;W/O NUT ONLY;(CHUNG YEN HSJ-064-20-P)	[POB47:1: {1.0}(X1)]	
5	1.0000	PC	W67-20103-01396	G67-20103-01396	PLUG;AC SOCK;W FUSE;COLOR:BLK;POLES:03;(RONG-FENG RF-2004-C-4.8)		
6	1.0000	PC		G71-00000-03961	WAFER;V1000-14B;0.35um;LOGIC-3.3V(1P4M)		
7	1.0000	PC		G71-00000-90754	WAFER;POLES:9;ROWS:1;STRAIGHT;PITCH:3.96 MM;NO PIN2 AND PIN4	[POB47:1: {1.0}(X2)]	
8	1.0000	PC	W71-23111-04750	G71-23111-04750	WAFER;POLES:11;STRAIGHT;PITCH:2 mm;1 ROW;TYPE:A2006WV-11P	[POB47:1: {1.0}(X4)]	
9	1.0000	PC	W71-27102-04759	G71-27102-04759	WAFER;POLES:2;STRAIGHT;PITCH:3.96 mm;1 ROW;JS1120-02	[POB47:1: {1.0}(X7)]	
10	1.0000	PC		G71-27105-04760	WAFER;POLES:5;STRAIGHT;PITCH:3.96 mm;1 ROW;JS1120-05-S1;W/O PIN2 AND PIN4	[POB47:1: {1.0}(X5)]	
11	1.0000	PC	W71-43111-06003	G71-43111-06003	PLUG;HOUSING;POLES:11;ROWS:1;STRAIGHT;PITCH:2mm;TYP:A2008		
12	1.0000	PC	W71-47102-05844	G71-47102-05844	PLUG;HOUSING;A3963H02;PITCH:3mm96;POLES:2;ROWS:1;UL94-V0;STRAIGHT		
13	11.0000	PC	W71-80000-05663	G71-80000-05663	BD.-IN-CONN;TERMINAL;SAN-002T-0.8A		
14	1.0000	PC	W71-83111-05656	G71-83111-05656	BOARD-IN-CONNECTOR;POLES:11;ROWS:1;STRAIGHT;PITCH:2 mm		
15	2.0000	PC		G73-00001-02619	SOCKET;TUBESOCKET;POLES:8;FOR EL34 OR 6L6;CERAMIC;COLOR:WHT;W/ SOLDER LUGS;VERSION1;TUS8PC8C	[POB47:1: {2.0}(V5-V6)]	
16	4.0000	PC	W73-28509-01218	G73-28509-01218	SOCKET;POLES:09;VACUUM TUBE;FOR 12AX7;CERAMIC;COLOR:WHT;W/ SOLDER LUGS;VERSION1;TUS9PC9C	[POB47:1: {4.0}(V1-V4)]	

Power Supply

	Quantity	Unit	S.Sku	M.Sku	Description	Reference Designators	Notes
1	1.0000	PC		J60-00001-02266	TRAFO;AUDIO I/O;POB47		
2	1.0000	PC		J65-00001-02269	TRAFO;EI POWER;POB47;UL 120;VERSION:UL		(UL, BR)
3	1.0000	PC		J65-00001-02268	TRAFO;EI POWER;POB47;EU 230 OR 240;VERSION:EU		(EU, UK, SAA, AR)
4	1.0000	PC		J65-00001-02271	TRAFO;EI POWER;POB47;JP 100;VERSION:JP		(HM, SH)

Quarz

	Quantity	Unit	S.Sku	M.Sku	Description	Reference Designators	Notes
1	1.0000	PC	X65-40471-00000	H65-40471-00000	QUARZ;RESONATOR;10MHz;HC49/S;FUNDAMENTAL	[POB47:1: {1.0}(Q1)]	

Resistor

	Quantity	Unit	S.Sku	M.Sku	Description	Reference Designators	Notes
1	1.0000	PC			RESISTOR;CARBON;91Kohm;5%;0W063;SMD603	[POB47:1: {1.0}(R140)]	*NOT available in DP
2	2.0000	PC			RESISTOR;CARBON;2ohm2;5%;0W063;SMD603	[POB47:1: {2.0}(R107-R108)]	*NOT available in DP
3	4.0000	PC			RESISTOR;CARBON;5ohm1;5%;0W063;SMD603	[POB47:1: {4.0}(R132,R141,R146,R152)]	*NOT available in DP
4	1.0000	PC			RESISTOR;CARBON;47ohm;5%;0W063;SMD603	[POB47:1: {1.0}(R98)]	*NOT available in DP
5	1.0000	PC			RESISTOR;CARBON;100ohm;5%;0W063;SMD603	[POB47:1: {1.0}(R176)]	*NOT available in DP
6	1.0000	PC			RESISTOR;CARBON;470ohm;5%;0W063;SMD603	[POB47:1: {1.0}(R82)]	*NOT available in DP
7	2.0000	PC			RESISTOR;CARBON;680ohm;5%;0W063;SMD603	[POB47:1: {2.0}(R137-R138)]	*NOT available in DP
8	3.0000	PC			RESISTOR;CARBON;1Kohm;5%;0W063;SMD603	[POB47:1: {1.0}(R17)]	*NOT available in DP
9	2.0000	PC			RESISTOR;CARBON;1Kohm8;5%;0W063;SMD603	[POB47:1: {2.0}(R35,R99)]	*NOT available in DP
10	3.0000	PC			RESISTOR;CARBON;2Kohm2;5%;0W063;SMD603	[POB47:1: {3.0}(R112,R135-R136)]	*NOT available in DP
11	1.0000	PC			RESISTOR;CARBON;2Kohm7;5%;0W063;SMD603	[POB47:1: {1.0}(R55)]	*NOT available in DP
12	1.0000	PC			RESISTOR;CARBON;6Kohm2;5%;0W063;SMD603	[POB47:1: {1.0}(R163)]	*NOT available in DP
13	18.0000	PC			RESISTOR;CARBON;10Kohm;5%;0W063;SMD603	[POB47:1: {17.0}(R12-R13,R34,R48,R93-R94,R96-R97,R100,R104,R110,R130,R164,R167,R177,R182,R186)]	*NOT available in DP
14	5.0000	PC			RESISTOR;CARBON;12Kohm;5%;0W063;SMD603	[POB47:1: {5.0}(R123-R124,R139,R150,R178)]	*NOT available in DP
15	1.0000	PC			RESISTOR;CARBON;20Kohm;5%;0W063;SMD603	[POB47:2: {1.0}(R3)]	*NOT available in DP
16	1.0000	PC			RESISTOR;CARBON;27Kohm;5%;0W063;SMD603	[POB47:1: {1.0}(R14)]	*NOT available in DP
17	3.0000	PC			RESISTOR;CARBON;33Kohm;5%;0W063;SMD603	[POB47:1: {3.0}(R129,R155,R181)]	*NOT available in DP
18	1.0000	PC			RESISTOR;CARBON;39Kohm;5%;0W063;SMD603	[POB47:1: {1.0}(R54)]	*NOT available in DP
19	5.0000	PC			RESISTOR;CARBON;47Kohm;5%;0W063;SMD603	[POB47:1: {5.0}(R80,R103,R113-R115)]	*NOT available in DP
20	2.0000	PC			RESISTOR;CARBON;56Kohm;5%;0W063;SMD603	[POB47:1: {2.0}(R165-R166)]	*NOT available in DP
21	1.0000	PC			RESISTOR;CARBON;68Kohm;5%;0W063;SMD603	[POB47:2: {1.0}(R5)]	*NOT available in DP
22	5.0000	PC			RESISTOR;CARBON;100Kohm;5%;0W063;SMD603	[POB47:1: {5.0}(R15,R149,R183-R185)]	*NOT available in DP
23	1.0000	PC			RESISTOR;CARBON;220Kohm;5%;0W063;SMD603	[POB47:1: {1.0}(R18)]	*NOT available in DP
24	2.0000	PC			RESISTOR;CARBON;470Kohm;5%;0W063;SMD603	[POB47:1: {2.0}(R6,R95)]	*NOT available in DP
25	6.0000	PC			RESISTOR;CARBON;1Mohm;5%;0W063;SMD603	[POB47:1: {6.0}(R5,R26,R64,R81,R145,R151)]	*NOT available in DP
26	2.0000	PC			RESISTOR;METAL;200ohm;1%;0W063;SMD603	[POB47:1: {2.0}(R171-R172)]	*NOT available in DP
27	2.0000	PC			RESISTOR;METAL;360ohm;1%;0W063;SMD603	[POB47:1: {2.0}(R38,R47)]	*NOT available in DP
28	2.0000	PC			RESISTOR;METAL;1Kohm2;1%;0W063;SMD603	[POB47:1: {2.0}(R31,R37)]	*NOT available in DP
29	4.0000	PC			RESISTOR;METAL;2Kohm2;1%;0W063;SMD603	[POB47:1: {4.0}(R83-R86)]	*NOT available in DP
30	2.0000	PC			RESISTOR;METAL;7Kohm50;1%;0W063;SMD603	[POB47:1: {2.0}(R170,R173)]	*NOT available in DP
31	2.0000	PC			RESISTOR;METAL;8Kohm06;1%;0W063;SMD603	[POB47:1: {2.0}(R156-R157)]	*NOT available in DP
32	3.0000	PC			RESISTOR;METAL;10Kohm;1%;0W063;SMD603	[POB47:1: {3.0}(R131,R168,R175)]	*NOT available in DP
33	2.0000	PC			RESISTOR;METAL;16Kohm;1%;0W063;SMD603	[POB47:1: {2.0}(R32,R46)]	*NOT available in DP
34	4.0000	PC			RESISTOR;METAL;20Kohm;1%;0W063;SMD603	[POB47:1: {4.0}(R125,R128,R169,R174)]	*NOT available in DP
35	2.0000	PC			RESISTOR;METAL;22Kohm;1%;0W063;SMD603	[POB47:1: {2.0}(R126-R127)]	*NOT available in DP
36	1.0000	PC			RESISTOR;METAL;100Kohm;1%;0W063;SMD603	[POB47:1: {1.0}(R53)]	*NOT available in DP
37	2.0000	PC			RESISTOR;METAL;470Kohm;1%;0W063;SMD603	[POB47:1: {2.0}(R120,R154)]	*NOT available in DP
38	1.0000	PC			RESISTOR;CARBON;0ohm;5%;0W1;SMD805	[POB47:1: {1.0}(R8)]	*NOT available in DP
39	3.0000	PC			RESISTOR;CARBON;100ohm;5%;0W1;SMD805	[POB47:1: {1.0}(R118)]	*NOT available in DP
40	2.0000	PC			RESISTOR;CARBON;220ohm;5%;0W1;SMD805	[POB47:1: {2.0}(R9,R11)]	*NOT available in DP
41	1.0000	PC			RESISTOR;CARBON;470ohm;5%;0W1;SMD805	[POB47:1: {1.0}(R73)]	*NOT available in DP
42	4.0000	PC			RESISTOR;CARBON;1Kohm;5%;0W1;SMD805	[POB47:1: {4.0}(R50,R60,R158-R159)]	*NOT available in DP
43	3.0000	PC			RESISTOR;CARBON;1Kohm8;5%;0W1;SMD805	[POB47:1: {3.0}(R25,R76,R79)]	*NOT available in DP
44	4.0000	PC			RESISTOR;CARBON;2Kohm;5%;0W1;SMD805	[POB47:1: {4.0}(R91-R92,R101-R102)]	*NOT available in DP

	Quantity	Unit	S.Sku	M.Sku	Description	Reference Designators	Notes
45	2.0000	PC			RESISTOR;CARBON;2Kohm2;5%;0W1;SMD805	[P0B47:1: {2.0}{R20,R66}]	*NOT available in DP
46	1.0000	PC			RESISTOR;CARBON;4Kohm7;5%;0W1;SMD805	[P0B47:1: {1.0}{R4}]	*NOT available in DP
47	2.0000	PC			RESISTOR;CARBON;5Kohm6;5%;0W1;SMD805	[P0B47:1: {2.0}{R142-R143}]	*NOT available in DP
48	1.0000	PC			RESISTOR;CARBON;10Kohm;5%;0W1;SMD805	[P0B47:1: {1.0}{R40}]	*NOT available in DP
49	1.0000	PC			RESISTOR;CARBON;18Kohm;5%;0W1;SMD805	[P0B47:1: {1.0}{R2}]	*NOT available in DP
50	3.0000	PC			RESISTOR;CARBON;33Kohm;5%;0W1;SMD805	[P0B47:1: {3.0}{R21,R45,R78}]	*NOT available in DP
51	5.0000	PC			RESISTOR;CARBON;47Kohm;5%;0W1;SMD805	[P0B47:1: {5.0}{R3,R121-R122,R144,R160}]	*NOT available in DP
52	1.0000	PC			RESISTOR;CARBON;51Kohm;5%;0W1;SMD805	[P0B47:1: {1.0}{R27}]	*NOT available in DP
53	1.0000	PC			RESISTOR;CARBON;56Kohm;5%;0W1;SMD805	[P0B47:1: {1.0}{R7}]	*NOT available in DP
54	4.0000	PC			RESISTOR;CARBON;100Kohm;5%;0W1;SMD805	[P0B47:1: {4.0}{R19,R22-R23,R63}]	*NOT available in DP
55	5.0000	PC			RESISTOR;CARBON;220Kohm;5%;0W1;SMD805	[P0B47:1: {5.0}{R1,R44,R62,R147-R148}]	*NOT available in DP
56	3.0000	PC			RESISTOR;CARBON;330Kohm;5%;0W1;SMD805	[P0B47:1: {3.0}{R187-R189}]	*NOT available in DP
57	1.0000	PC			RESISTOR;CARBON;470Kohm;5%;0W1;SMD805	[P0B47:1: {1.0}{R24}]	*NOT available in DP
58	11.0000	PC			RESISTOR;CARBON;1Mohm;5%;0W1;SMD805	[P0B47:1: {11.0}{R10,R16,R29,R36,R39,R51,R59,R69,R72,R75,R89}]	*NOT available in DP
59	4.0000	PC			RESISTOR;CARBON;100ohm;5%;0W25;SMD1206	[P0B47:1: {4.0}{R49,R56-R58}]	*NOT available in DP
60	8.0000	PC			RESISTOR;CARBON;100Kohm;5%;0W25;SMD1206	[P0B47:1: {8.0}{R116-R117,R133-R134,R161-R162,R179-R180}]	*NOT available in DP
61	2.0000	PC			RESISTOR;METAL;4ohm7;1%;0W25;SMD1206	[P0B47:1: {2.0}{R106,R111}]	*NOT available in DP
62	1.0000	PC			RESISTOR;METAL;15Kohm;1%;0W25;SMD1206	[P0B47:1: {1.0}{R87}]	*NOT available in DP
63	2.0000	PC			FUSE RESISTOR;1.2 ohm;2W;5 %;T/R;CARBON	[P0B47:1: {2.0}{R28,R41}]	*NOT available in DP
64	1.0000	PC			RESISTOR;METAL;10 kohm;1W;5 %;MET;AXIAL;METAL OXIDE	[P0B47:1: {1.0}{R88}]	*NOT available in DP
65	1.0000	PC			RESISTOR;CARBON;82Kohm;5%;0W25;LEAD WIRE;HORIZONTAL 26-6mm	[P0B47:1: {1.0}{R61}]	*NOT available in DP
66	4.0000	PC			RESISTOR;CARBON;100Kohm;5%;0W25;LEAD WIRE;HORIZONTAL 26-6mm	[P0B47:1: {4.0}{R52,R65,R70-R71}]	*NOT available in DP
67	3.0000	PC			RESISTOR;CARBON;220Kohm;5%;0W25;LEAD WIRE;HORIZONTAL 26-6mm	[P0B47:1: {3.0}{R67-R68,R77}]	*NOT available in DP
68	1.0000	PC			RESISTOR;27 kohm;2W;5 %;METAL OXIDE FILM;F-TYPE	[P0B47:1: {1.0}{R74}]	*NOT available in DP
69	1.0000	PC			RESISTOR;CARBON;39ohm;5%;1W;LEAD WIRE	[P0B47:1: {1.0}{R90}]	*NOT available in DP
70	1.0000	PC			RESISTOR;CARBON;300ohm;5%;1W;LEAD WIRE	[P0B47:1: {1.0}{R33}]	*NOT available in DP
71	1.0000	PC			RESISTOR;CARBON;470ohm;5%;1W;LEAD WIRE	[P0B47:1: {1.0}{R30}]	*NOT available in DP
72	2.0000	PC			RESISTOR;LEAD WIRE;47ohm;VERTICAL;5%;CEMENT;5W;PRE CUT:3mm;PITCH:5mm	[P0B47:1: {2.0}{R42-R43}]	*NOT available in DP
73	2.0000	PC			RESISTOR;CEMENT;1Kohm;5%;5W;LEAD WIRE;RADIAL;PITCH:5mm;PRE CUT:3mm+/-0mm5	[P0B47:1: {2.0}{R119,R153}]	*NOT available in DP
74	1.0000	PC			RESISTOR;CEMENT;3Kohm9;5%;5W;LEAD WIRE;RADIAL;PITCH:5mm;PRE CUT:3mm+/-0mm5	[P0B47:1: {1.0}{R105}]	*NOT available in DP
75	1.0000	PC			RESISTOR;CEMENT;390ohm;5%;10W;LEAD WIRE;AXIAL	[P0B47:1: {1.0}{R109}]	*NOT available in DP
76	1.0000	PC	Y04-12000-03091	I04-12000-03091	THERMISTOR;NTC;20ohm;+/- 20%;4A;DIA;;PITCH:7mm5;(THINKING SCK-20200MSY)		(UL, BR, HM, SH)
77	2.0000	PC	Y04-12000-03091	I04-12000-03091	THERMISTOR;NTC;20ohm;+/- 20%;4A;DIA;;PITCH:7mm5;(THINKING SCK-20200MSY)		(EU, UK, SAA, AR)

Potentiometer

	Quantity	Unit	S.Sku	M.Sku	Description	Reference Designators	Notes
1	1.0000	PC		I03-00000-93039	POTENTIOMETER;50 kohm;TAPER:15A;20 %;MONO;F-SHAFT;15MM;ANGLED;W/O CC;NO NUT AND WASHER;80-150GF;HHT;SOUNDWELL	[P0B47:1: {1.0}(VR6)]	
2	1.0000	PC		I03-00001-02387	POTENTIOMETER;200 kohm;20 %;STEREO;PITCH:3.75 MM;DUAL POTENTIOMETER R1:1B200K;R2:1B200K;METAL F-SHAFT;F:7mm;L:15mm;H:10mm	[P0B47:1: {1.0}(VR1)]	
3	2.0000	PC	Y03-00001-02389	I03-00001-02389	POTENTIOMETER;1 Mohm;TAPER:05A;20 %;MONO;BULK;F-SHAFT;15MM;ANGLED;80-150GF;HHTORQUE;NO NUT AND WASHER ;SOUNDWELL	[P0B47:1: {2.0}(VR5,VR9)]	
4	3.0000	PC	Y03-67161-06229	I03-67161-06229	POTENTIOMETER;1Mohm;TAPER:A;MONO;F-SHAFT;15MM;ANGLED;W/O CC;40-100gf;HIGH HIGH TORQUE;(NOBLE XVB12111YNPJ22.5F15A1M)	[P0B47:1: {3.0}(VR4,VR8,VR12)]	
5	2.0000	PC	Y03-67242-06151	I03-67242-06151	POTENTIOMETER;20Kohm;TAPER:B;MONO;F-SHAFT;15MM;ANGLED;W/O CC;40-100gf;HIGH HIGH TORQUE;(NOBLE XVB12111YNPJ22.5F1B20K)	[P0B47:1: {2.0}(VR3,VR10)]	
6	3.0000	PC	Y03-67253-06133	I03-67253-06133	POTENTIOMETER;250Kohm;TAPER:B;MONO;F-SHAFT;15MM;ANGLED;W/O CC;40-100gf;HIGH HIGH TORQUE;(NOBLE XVB12111YNPJ22.5F1B250K)	[P0B47:1: {3.0}(VR2,VR7,VR11)]	

Switch

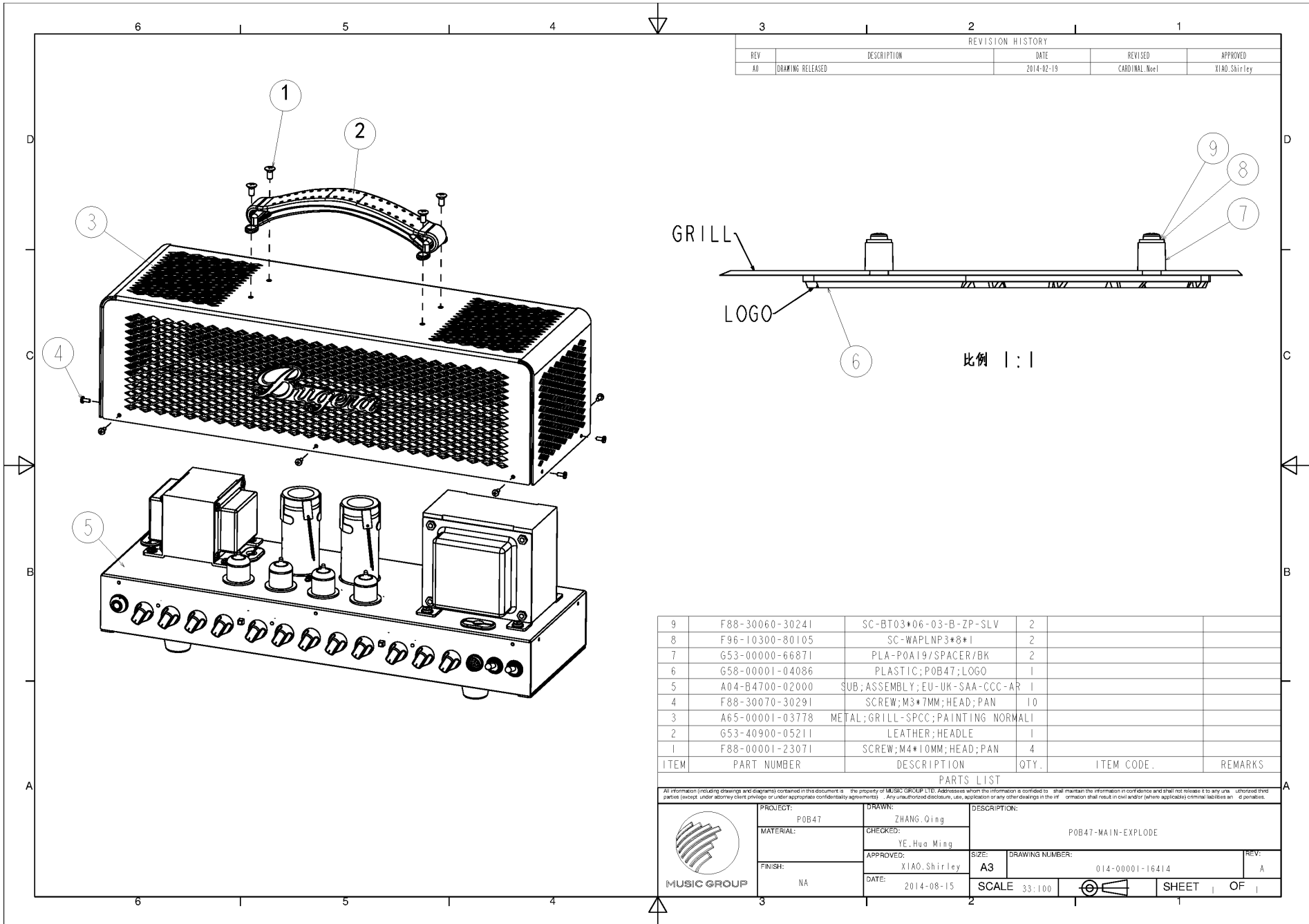
	Quantity	Unit	S.Sku	M.Sku	Description	Reference Designators	Notes
1	2.0000	PC	Y77-03422-02778	I77-03422-02778	SWITCH;RADIAL;2P2T;PCB VERSION;LOCKING;NONSHORT;RAD2P	[P0B47:2: {2.0}(SW1-SW2)]	
2	1.0000	PC	Y82-00822-04267	I82-00822-04267	SWITCH;PUSH;2P2T;PCB VERSION COMAX PB-22D01-F NS;NONLOCKING;NONSHORT	[P0B47:1: {1.0}(SW2)]	
3	1.0000	PC	Y82-01422-19471	I82-01422-19471	SWITCH;PUSH;2P2T;PCB VERSION;LOCKING;NONSHORT;ALPS;SPUJ19256A	[P0B47:1: {1.0}(SW1)]	
4	1.0000	PC	Y86-00323-04226	I86-00323-04226	SWITCH;SLIDE;POLES:2;TOGGLES:3;LOCKING;SHORTING;PCB VERSION;DONGGUAN WEILI SS-23H49-G6	[P0B47:2: {1.0}(SW3)]	
5	2.0000	PC	Y90-02211-03087	I90-02211-03087	SWITCH;TOGGLE;TOGGLES:1;POLE:1;LOCKING; NONSHORT; SOLDER LUG;ARCO C3900BAAAB)		

Transistor

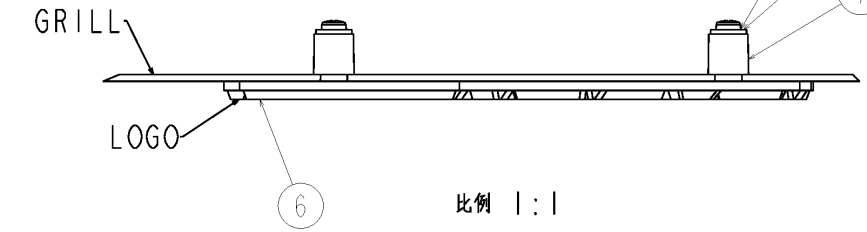
	Quantity	Unit	S.Sku	M.Sku	Description	Reference Designators	Notes
1	3.0000	PC			TRANSISTOR;BC846B;SOT;SMD	[P0B47:1: {3.0}(T5,T7,T9)]	*NOT available in DP
2	4.0000	PC			TRANSISTOR;BC856B;SOT;SMD	[P0B47:1: {3.0}(T4,T6,T8)]	*NOT available in DP
3	2.0000	PC			TRANSISTOR;MBTA92;SOT	[P0B47:1: {2.0}(T10-T11)]	*NOT available in DP
4	1.0000	PC			TRANSISTOR;MMBFJ175;SOT23	[P0B47:1: {1.0}(T2)]	*NOT available in DP
5	1.0000	PC			TRANSISTOR;SST113;SOT	[P0B47:1: {1.0}(T1)]	*NOT available in DP

Vacuum Tube

	Quantity	Unit	S.Sku	M.Sku	Description	Reference Designators	Notes
1	2.0000	PC	Z83-69013-47108	J83-69013-47108	TUBE;PENTODE;EL34;SHUGUANG		
2	2.0000	PC		J83-69013-48008	TUBE;PENTODE;EL34;SHUGUANG;NO ARTWORK		
3	1.0000	PC	Z84-17012-17109	J84-17012-17109	TUBE;DOUBLE TRIODE;12AX7A;SHUGUANG		
4	4.0000	PC	Z84-17012-78009	J84-17012-78009	TUBE;DOUBLE TRIODE;12AX7;SHUGUANG;NO ARTWORK		
5	1.0000	PC	Z84-76012-07109	J84-76012-07109	TUBE;DOUBLE TRIODE;P0962;12AX7B;SHUGUANG;FST.NO:001		
6	2.0000	PC		J84-76012-97109	TUBE;DOUBLE TRIODE;P0963;12AX7C;SHUGUANG;FST.NO:001		

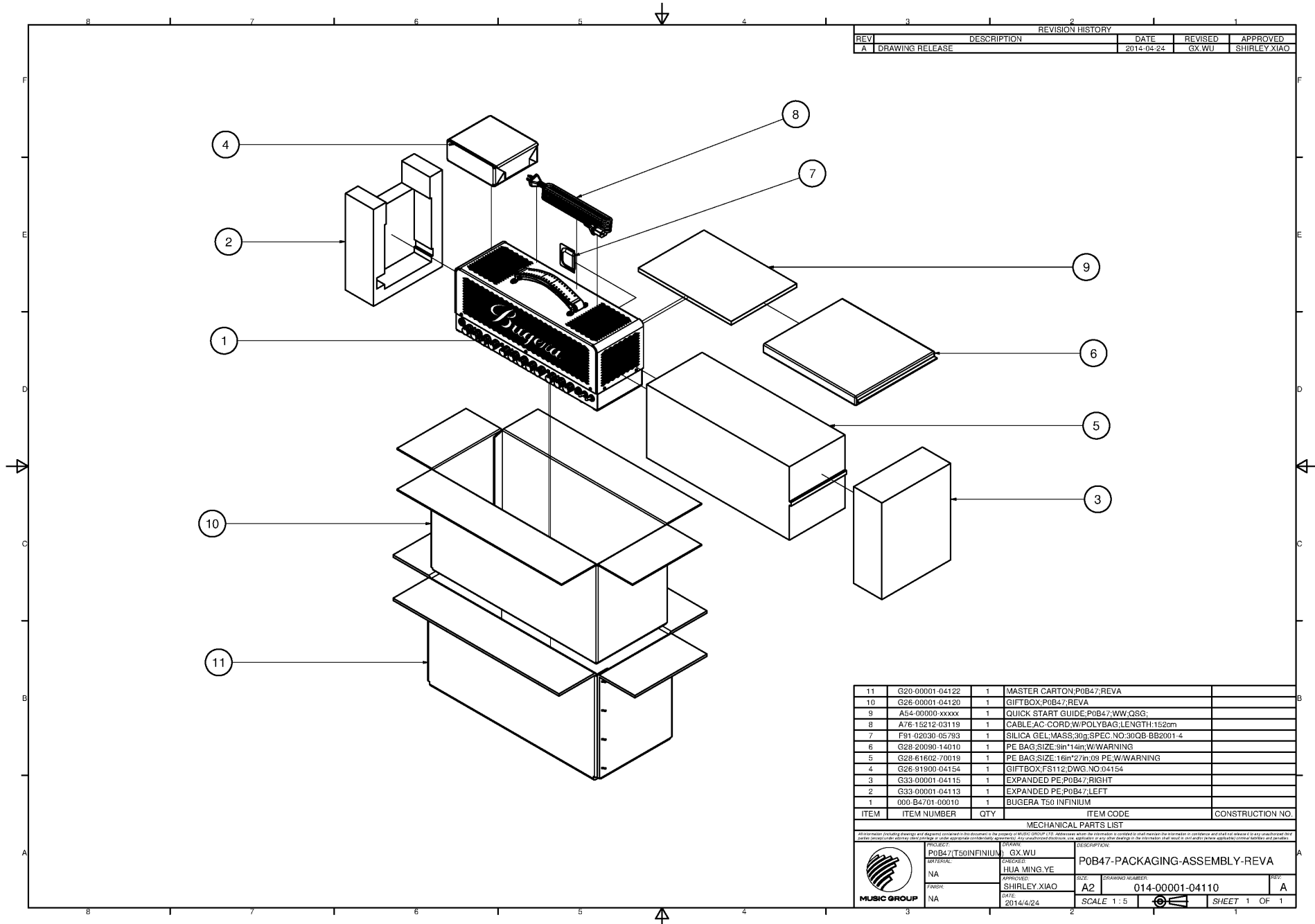


REVISION HISTORY				
REV	DESCRIPTION	DATE	REVISED	APPROVED
A0	DRAWING RELEASED	2014-02-19	CARDINAL Noel	XIAO Shirley



ITEM	PART NUMBER	DESCRIPTION	QTY.	ITEM CODE.	REMARKS
9	F88-30060-30241	SC-BT03*06-03-B-ZP-SLV	2		
8	F96-10300-80105	SC-WAPLNP3*8*1	2		
7	G53-00000-66871	PLA-POA19/SPACER/BK	2		
6	G58-00001-04086	PLASTIC;POB47;LOGO	1		
5	A04-B4700-02000	SUB;ASSEMBLY;EU-UK-SAA-CCC-AR	1		
4	F88-30070-30291	SCREW;M3*7MM;HEAD;PAN	10		
3	A65-00001-03778	METAL;GRILL-SPCC;PAINTING NORMAL			
2	G53-40900-05211	LEATHER;HEADLE	1		
1	F88-00001-23071	SCREW;M4*10MM;HEAD;PAN	4		

PARTS LIST					
All information (including drawings and diagrams) contained in this document is the property of MUSIC GROUP LTD. Addressees whom the information is confided to shall maintain the information in confidence and shall not release it to any un-authorized third parties (except under attorney client privilege or under appropriate confidentiality agreements). Any unauthorized disclosure, use, application or any other dealings in the information shall result in civil and/or (where applicable) criminal liabilities and penalties.					
	PROJECT:	POB47	DRAWN:	ZHANG, Qing	DESCRIPTION:
	MATERIAL:		CHECKED:	YE, Hua Ming	POB47-MAIN-EXPLODE
	FINISH:	NA	APPROVED:	XIAO, Shirley	SIZE: A3
	DATE:	2014-08-15	DRAWING NUMBER:	014-00001-16414	REV: A
SCALE 33:100			SHEET 1 OF 1		



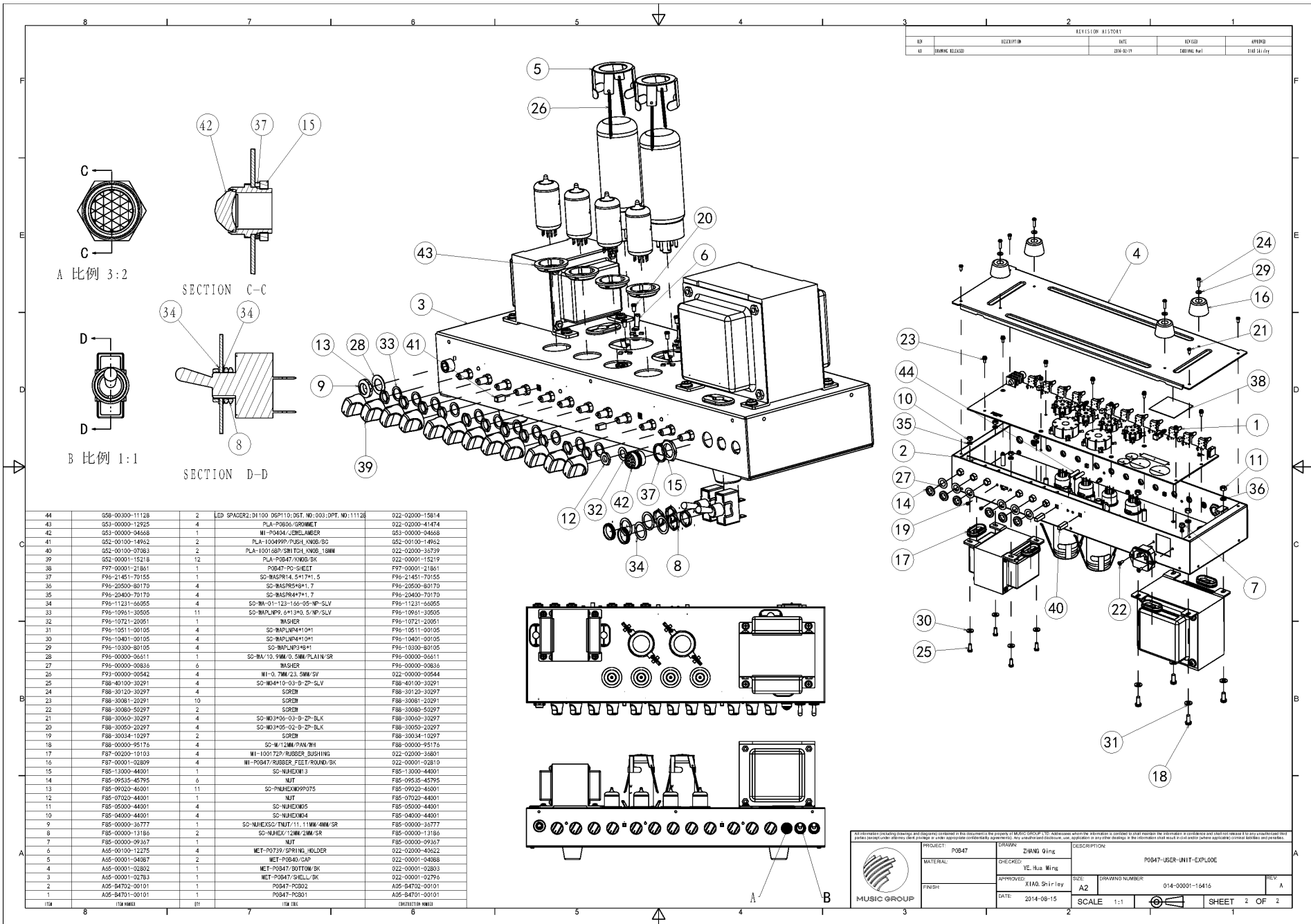
REVISION HISTORY		DATE	REVISED	APPROVED
REV	DESCRIPTION			
A	DRAWING RELEASE	2014-04-24	GX.WU	SHIRLEY.XIAO

ITEM	ITEM NUMBER	QTY	ITEM CODE	CONSTRUCTION NO.
11	G20-00001-04122	1	MASTER CARTON:POB47:REVA	
10	G26-00001-04120	1	GIFTBOX:POB47:REVA	
9	A54-00000-xxxxx	1	QUICK START GUIDE:POB47:WW.QSG;	
8	A76-15212-03119	1	CABLE.AC.CORD.W/POLYBAG.LENTH:152cm	
7	F91-02030-05793	1	SILICA GEL.MASS:30g.SPEC.NO:30QB.BB2001-4	
6	G28-20090-14010	1	PE BAG.SIZE:9in*14in.W/WARNING	
5	G28-61602-70019	1	PE BAG.SIZE:16in*27in.09 PE;W/WARNING	
4	G26-91900-04154	1	GIFTBOX:FS112.DWG.NO:04154	
3	G33-00001-04115	1	EXPANDED PE:POB47:RIGHT	
2	G33-00001-04113	1	EXPANDED PE:POB47:LEFT	
1	000-B4701-00010	1	BUGERA T50 INFINIUM	

MECHANICAL PARTS LIST

All information (including drawings) and diagrams contained in this document is the property of MUSIC GROUP LTD. Reproduction or use of the information is prohibited without the prior written consent and shall be returned to us at any unauthorised time and for reasons other than those stated herein. Approval of any change or modification to the information shall require the approval of the applicable control function and procedure.

PROJECT: POB47:T50INFINIUM	DESIGNED: GX.WU	DESCRIPTION: POB47-PACKAGING-ASSEMBLY-REVA
DRAWN: NA	CHECKED: HUA MING.YE	SIZE: DRAWING NUMBER: 014-00001-04110
APPROVED: SHIRLEY.XIAO	DATE: 2014/4/24	REV: A
MUSIC GROUP		SCALE: 1:5
		SHEET 1 OF 1



REVISION HISTORY				
REV	DESCRIPTION	DATE	BY/CHK	APP/CHK
01	ISSUE RELEASED	2014-08-15	CHEN/SHI	YANG/SHI

44	Q58-00300-11128	2	LED SPACER2; DI100 D6P110; DIST. NO:003; OPT. NO:11128	Q22-02000-15814
43	Q52-00000-12525	4	PLA-P0636;BROWN/ET	Q22-02000-41474
42	Q52-00000-04048	1	MI-P0404;_GENE_LANDED	Q53-00000-04048
41	Q52-00100-14962	2	PLA-1004999/PUSH_KNOB/BC	Q52-00100-14962
40	Q52-00100-07063	2	PLA-1001689/SRITGH_KNOB_18MM	Q22-02000-35739
39	Q52-00001-15218	12	PLA-P0647;KNOB/BK	Q22-00001-15219
38	F97-00001-21861	1	POB47-PC-SHEET	F97-00001-21861
37	F96-21461-70155	1	SC-NASPR14_6*1*1.5	F96-21461-70155
36	F96-20500-80170	4	SC-NASPR6*1*1.7	F96-20500-80170
35	F96-20400-70170	4	SC-NASPR6*1*1.7	F96-20400-70170
34	F96-11231-66055	4	SC-NA-01-123-166-05-NP-SLV	F96-11231-66055
33	F96-10961-30505	11	SC-NAPLNP3_6*1*2*0.5/MP-SLV	F96-10961-30505
32	F96-10721-20051	1	WASHER	F96-10721-20051
31	F96-10511-00105	4	SC-NAPLNP4*1*0*1	F96-10511-00105
30	F96-10401-00105	4	SC-NAPLNP4*1*0*1	F96-10401-00105
29	F96-10300-80105	4	SC-NAPLNP3*1*1	F96-10300-80105
28	F96-00000-06611	1	SC-NA/10_7MM/0_5MM_PLAIN/SR	F96-00000-06611
27	F96-00000-00836	6	WASHER	F96-00000-00836
26	F93-00000-00542	4	MI-0_7MM/2.3_5MM/SV	Q22-00000-00544
25	F88-40100-30291	4	SC-M04*10-03-B-ZP-SLV	F88-40100-30291
24	F88-30120-30297	4	SOREM	F88-30120-30297
23	F88-30081-20291	10	SOREM	F88-30081-20291
22	F88-30060-50297	2	SOREM	F88-30060-50297
21	F88-30050-30297	4	SC-M03*06-03-B-ZP-BLK	F88-30050-30297
20	F88-30050-20297	4	SC-M03*06-02-B-ZP-BLK	F88-30050-20297
19	F88-30034-10297	2	SOREM	F88-30034-10297
18	F88-00000-95176	4	SC-M/12MM PAN WH	F88-00000-95176
17	F88-00000-99367	4	MI-1001012P-RUBBER_BUSHING	Q22-00000-34801
16	F87-00001-02809	4	MI-P0647/RUBBER FEET ROUND/BK	Q22-00001-02810
15	F85-13000-44001	1	SC-NHEXMI3	F85-13000-44001
14	F85-09535-45795	6	NUT	F85-09535-45795
13	F85-09020-46001	11	SC-NHEXMI9*075	F85-09020-46001
12	F85-07020-44001	1	NUT	F85-07020-44001
11	F85-05000-44001	4	SC-NHEXMI05	F85-05000-44001
10	F85-04000-44001	4	SC-NHEXMI04	F85-04000-44001
9	F85-00000-36777	1	SC-NHEXSC/TMT/11.11MM/4MM/SR	F85-00000-36777
8	F85-00000-13186	2	SC-NHEX/1.2MM/2MM/SR	F85-00000-13186
7	F85-00000-99367	1	NUT	F85-00000-99367
6	A65-00100-11275	4	MET-P0739/SPRING HOLDER	Q22-02000-40622
5	A65-00001-04087	2	MET-P0640/CAP	Q22-00001-04088
4	A65-00001-02802	1	MET-P0647/BOTTOM/BK	Q22-00001-02803
3	A65-00001-02763	1	MET-P0647/SHIELD/BK	Q22-00001-02766
2	A65-04702-00101	1	P0647-P0602	A65-04702-00101
1	A65-04701-00101	1	P0647-P0601	A65-04701-00101

		PROJECT: P0647 DRAWN: ZHANG Qiang MATERIAL: CHECKED: YE Hua Ming FINISH: APPROVED: XIAO Shirley DATE: 2014-08-15		DESCRIPTION: P0647-USER-UNIT-EXPLODE SIZE: A2 DRAWING NUMBER: 014-00001-16416 SCALE: 1:1 SHEET 2 OF 2	
--	--	---	--	---	--

Bugera