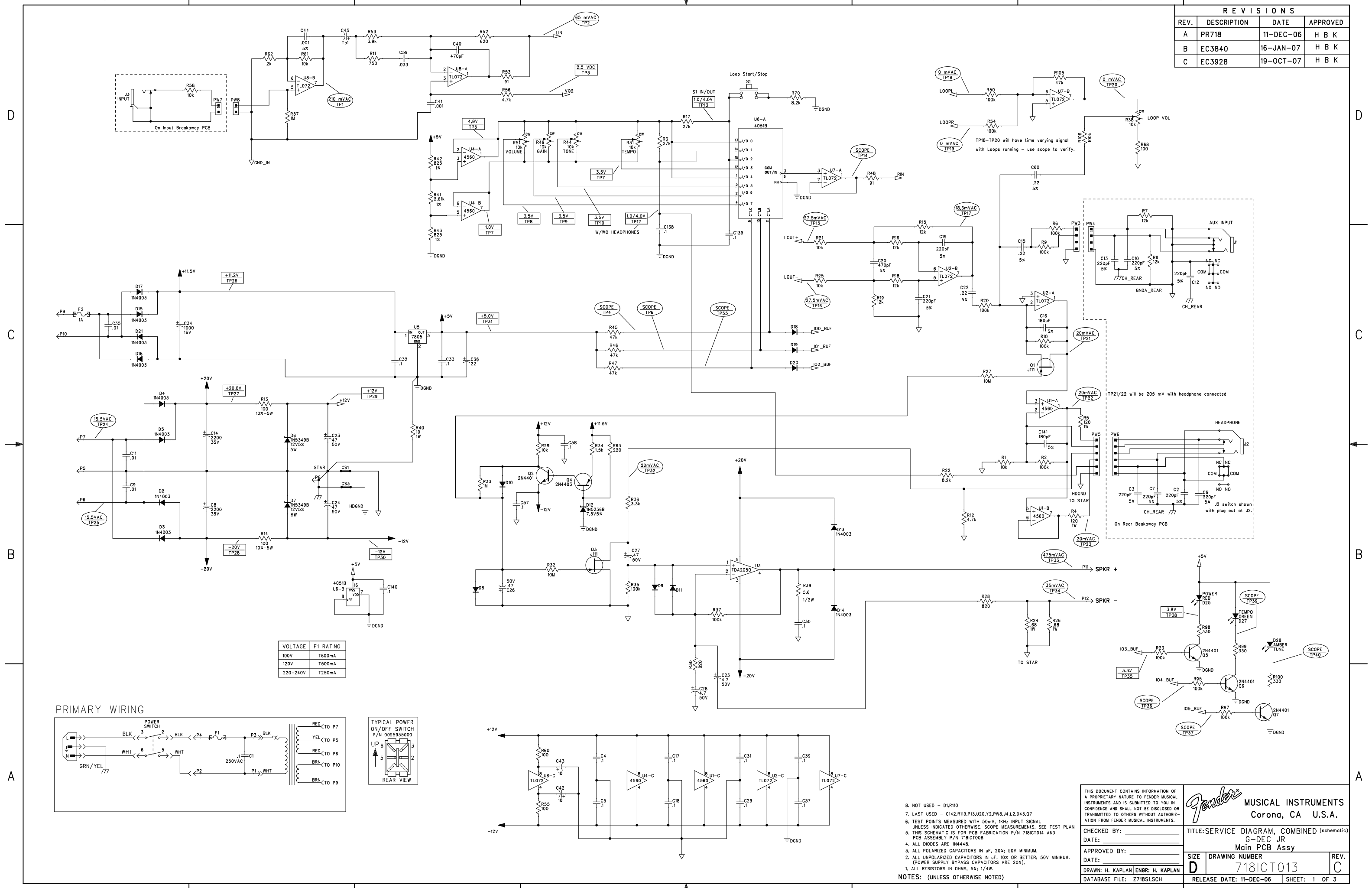
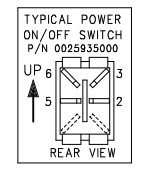
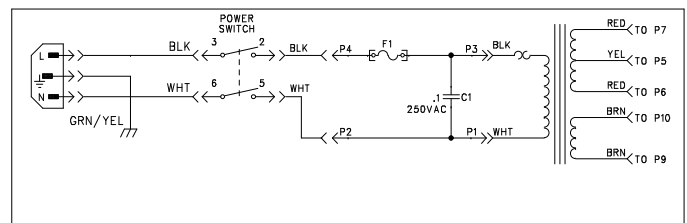


REVISIONS			
REV.	DESCRIPTION	DATE	APPROVED
A	PR718	11-DEC-06	H B K
B	EC3840	16-JAN-07	H B K
C	EC3928	19-OCT-07	H B K



VOLTAGE	F1 RATING
100V	T600mA
120V	T500mA
220-240V	T250mA

PRIMARY WIRING



- NOT USED - D1R10
- LAST USED - C142,R19,P13,U20,Y2,PW8,J4,L2,D43,O7
- TEST POINTS MEASURED WITH 50mV, 1KHz INPUT SIGNAL UNLESS INDICATED OTHERWISE. SCOPE MEASUREMENTS. SEE TEST PLAN
- THIS SCHEMATIC IS FOR PCB FABRICATION P/N 718ICT014 AND PCB ASSEMBLY P/N 718ICT008
- ALL DIODES ARE 1N4448.
- ALL POLARIZED CAPACITORS IN uF, 20%; 50V MINIMUM.
- ALL UNPOLARIZED CAPACITORS IN uF, 10% OR BETTER; 50V MINIMUM. (POWER SUPPLY BYPASS CAPACITORS ARE 20%).
- ALL RESISTORS IN OHMS, 5%; 1/4W.

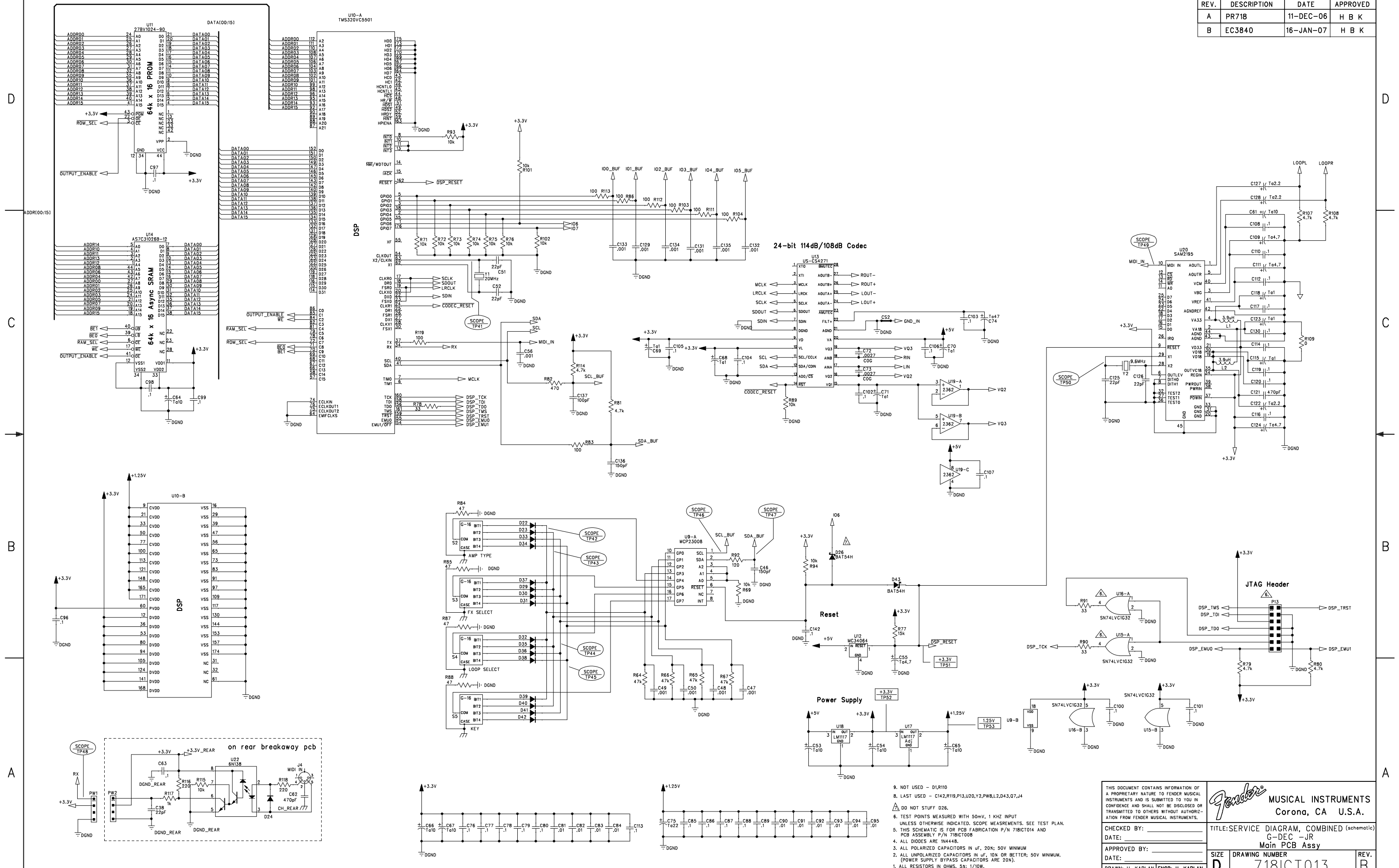
NOTES: (UNLESS OTHERWISE NOTED)

THIS DOCUMENT CONTAINS INFORMATION OF A PROPRIETARY NATURE TO FENDER MUSICAL INSTRUMENTS AND IS SUBMITTED TO YOU IN CONFIDENCE AND SHALL NOT BE DISCLOSED OR TRANSMITTED TO OTHERS WITHOUT AUTHORIZATION FROM FENDER MUSICAL INSTRUMENTS.


**Fender** MUSICAL INSTRUMENTS  
Corona, CA U.S.A.

CHECKED BY: \_\_\_\_\_ TITLE: SERVICE DIAGRAM, COMBINED (schematic)  
DATE: \_\_\_\_\_ G-DEC JR  
APPROVED BY: \_\_\_\_\_ Main PCB Assy  
DATE: \_\_\_\_\_ SIZE: DRAWING NUMBER  
DRAWN: H. KAPLAN ENGR: H. KAPLAN **D** 718ICT013 REV. **C**  
DATABASE FILE: 2718S1.SCH RELEASE DATE: 11-DEC-06 SHEET: 1 OF 3

REVISIONS			
REV.	DESCRIPTION	DATE	APPROVED
A	PR718	11-DEC-06	H B K
B	EC3840	16-JAN-07	H B K



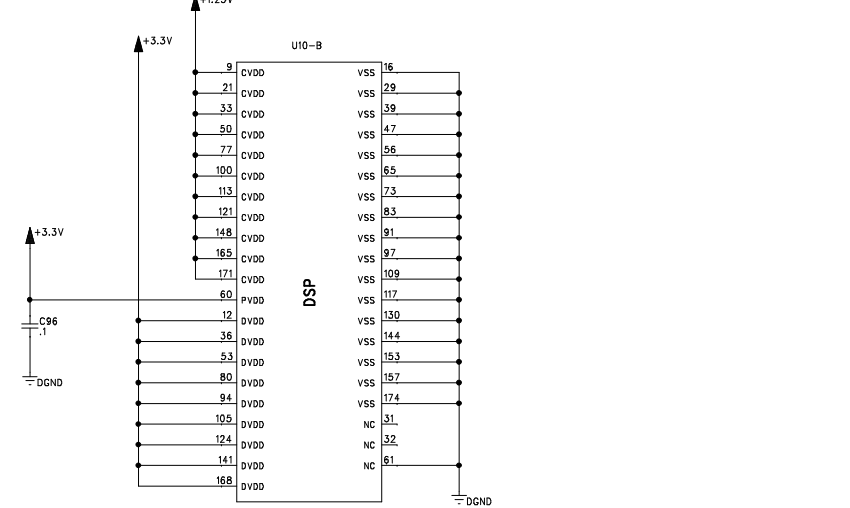
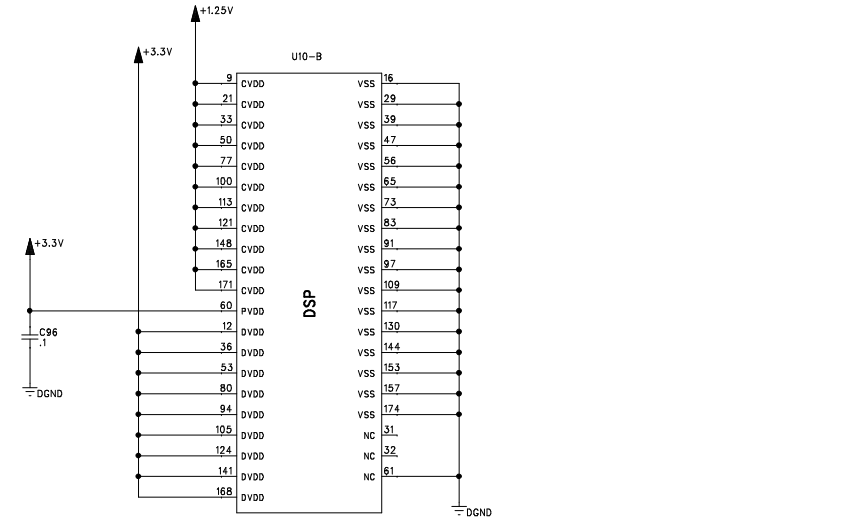
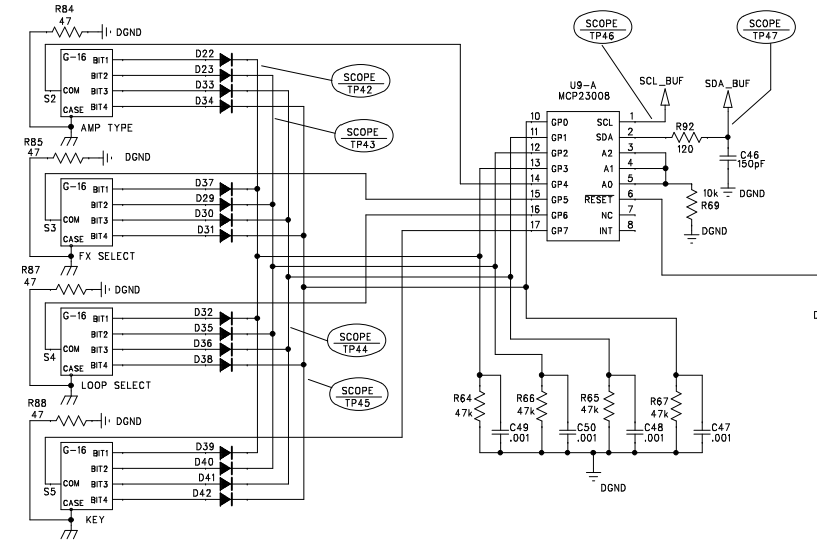
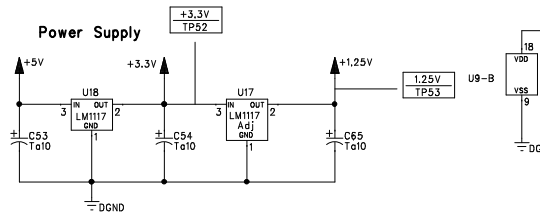
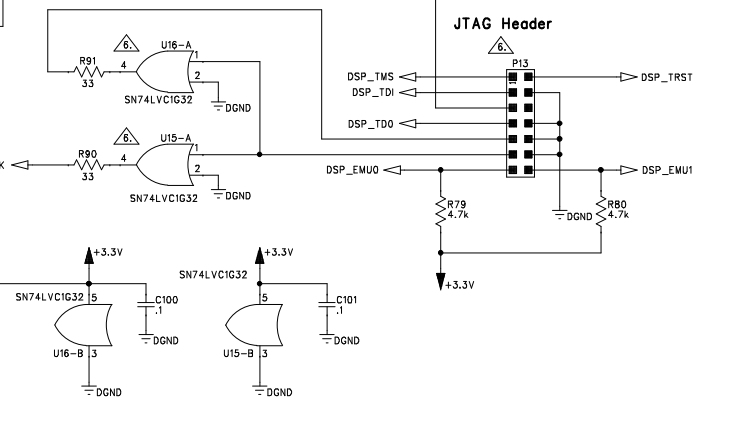
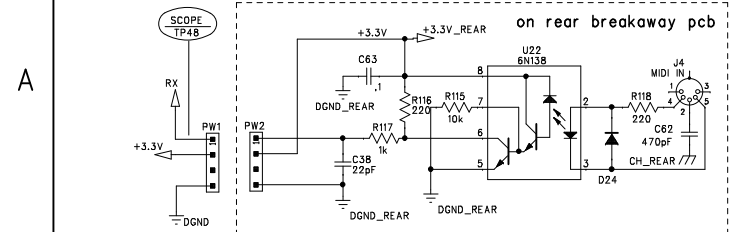
THIS DOCUMENT CONTAINS INFORMATION OF A PROPRIETARY NATURE TO FENDER MUSICAL INSTRUMENTS AND IS SUBMITTED TO YOU IN CONFERENCE AND SHALL NOT BE DISCLOSED OR TRANSMITTED TO OTHERS WITHOUT AUTHORIZATION FROM FENDER MUSICAL INSTRUMENTS.

  
**MUSICAL INSTRUMENTS**  
 Corona, CA U.S.A.

CHECKED BY: _____	TITLE: SERVICE DIAGRAM, COMBINED (schematic)
DATE: _____	DATE: G-DEC -JR
APPROVED BY: _____	SIZE: Main PCB Assy
DATE: _____	SIZE: DRAWING NUMBER
DRAWN: H. KAPLAN ENGR: H. KAPLAN	<b>718ICT013</b>
DATABASE FILE: 2718S2.SCH	RELEASE DATE: 11-DEC-06 SHEET: 2 OF 3

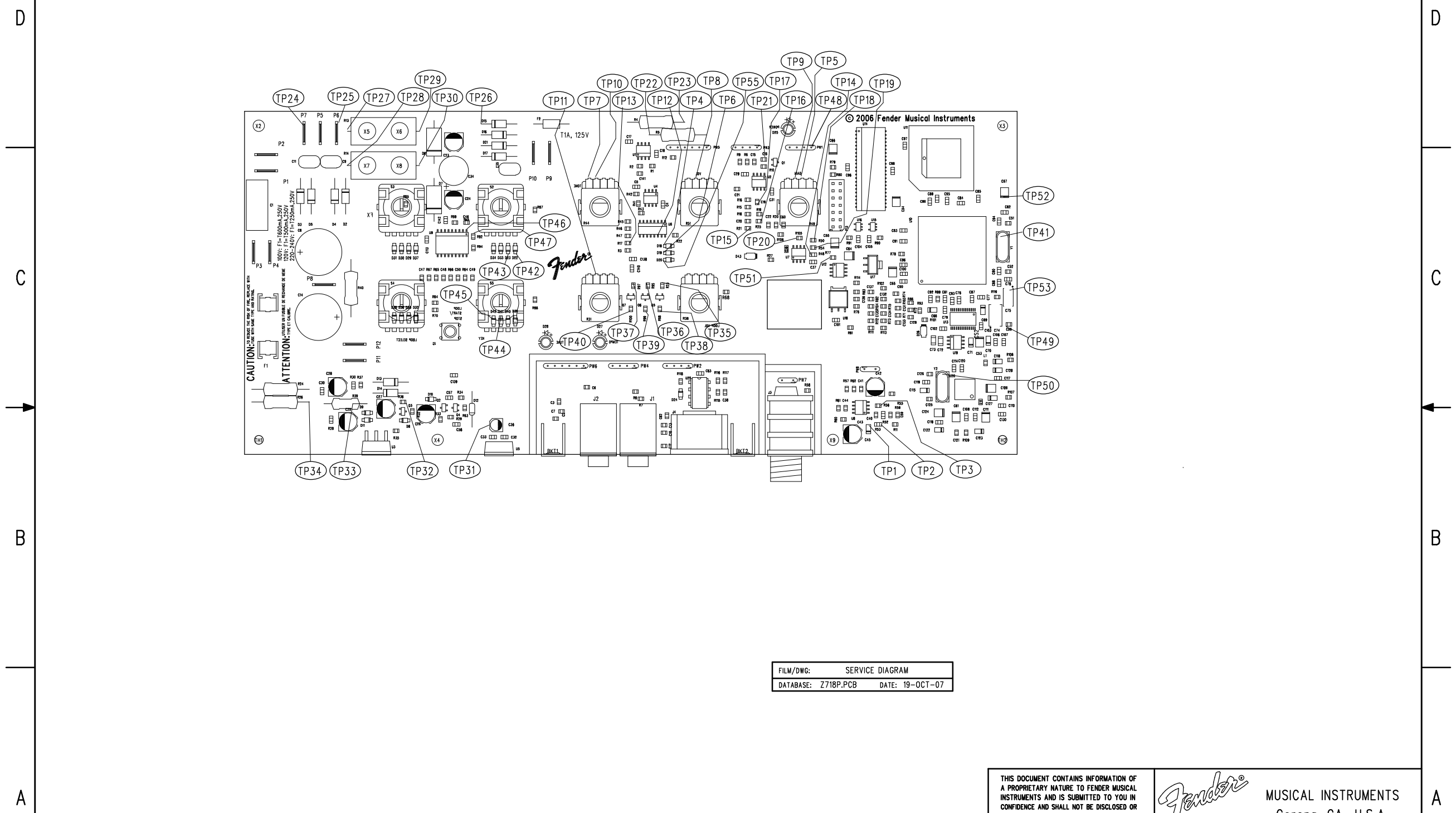
**REV. B**

9. NOT USED - D1R10  
 8. LAST USED - C142,R119,P13,U20,Y2,PW8,L2,D43,Q7,J4  
 A. DO NOT STUFF D26.  
 6. TEST POINTS MEASURED WITH 50mV, 1 KHZ INPUT UNLESS OTHERWISE INDICATED. SCOPE MEASUREMENTS. SEE TEST PLAN.  
 5. THIS SCHEMATIC IS FOR PCB FABRICATION P/N 718ICT014 AND PCB ASSEMBLY P/N 718ICT008  
 4. ALL DIODES ARE 1N4448S.  
 3. ALL POLARIZED CAPACITORS IN uF, 20%; 50V MINIMUM  
 2. ALL UNPOLARIZED CAPACITORS IN uF, 10% OR BETTER, 50V MINIMUM. (POWER SUPPLY BYPASS CAPACITORS ARE 20%).  
 1. ALL RESISTORS IN OHMS, 5%; 1/10W.
- NOTES: (UNLESS OTHERWISE NOTED)



8 | 7 | 6 | 5 | 4 | 3 | 2 | 1


REVISIONS			
REV.	DESCRIPTION	DATE	APPROVED
A	PR718	11-DEC-06	H B K
B	EC3280	16-JAN-07	H B K
C	EC3928	19-OCT-07	H B K



CAUTION: TO PREVENT THE RISK OF FIRE, REPLACE WITH THE SAME TYPE AND RATING.  
 ATTENTION: UNDER NO CIRCUMSTANCES SHOULD THE BOARD BE REWORKED OR BENT.  
 100% F = 100 Ohms, 1/4W  
 200% F = 200 Ohms, 1/4W  
 500% F = 500 Ohms, 1/4W  
 1K F = 1K Ohms, 1/4W  
 10K F = 10K Ohms, 1/4W  
 100K F = 100K Ohms, 1/4W  
 1M F = 1M Ohms, 1/4W

FILM/DWG: SERVICE DIAGRAM  
 DATABASE: Z718P.PCB DATE: 19-OCT-07

1. SEE SHEET 1 FOR TEST POINT VALUES AND FUNCTIONS.  
 NOTES: (UNLESS OTHERWISE NOTED)

THIS DOCUMENT CONTAINS INFORMATION OF A PROPRIETARY NATURE TO FENDER MUSICAL INSTRUMENTS AND IS SUBMITTED TO YOU IN CONFIDENCE AND SHALL NOT BE DISCLOSED OR TRANSMITTED TO OTHERS WITHOUT AUTHORIZATION FROM FENDER MUSICAL INSTRUMENTS.		 <b>MUSICAL INSTRUMENTS</b> Corona, CA U.S.A.	
CHECKED BY: _____ DATE: _____		TITLE: SERVICE DIAGRAM, COMBINED (PCB assy) G-DEC JR Main PCB Assy	
APPROVED BY: _____ DATE: _____		SIZE <b>C</b>	REV. <b>C</b>
DRAWN: H. Kaplan	ENGR: H. Kaplan	DRAWING NUMBER <b>718ICT013</b>	
DATABASE FILE: Z718P.PCB		RELEASE DATE: 05-DEC-06	SHEET 3 OF 3

8 | 7 | 6 | 5 | 4 | 3 | 2 | 1