

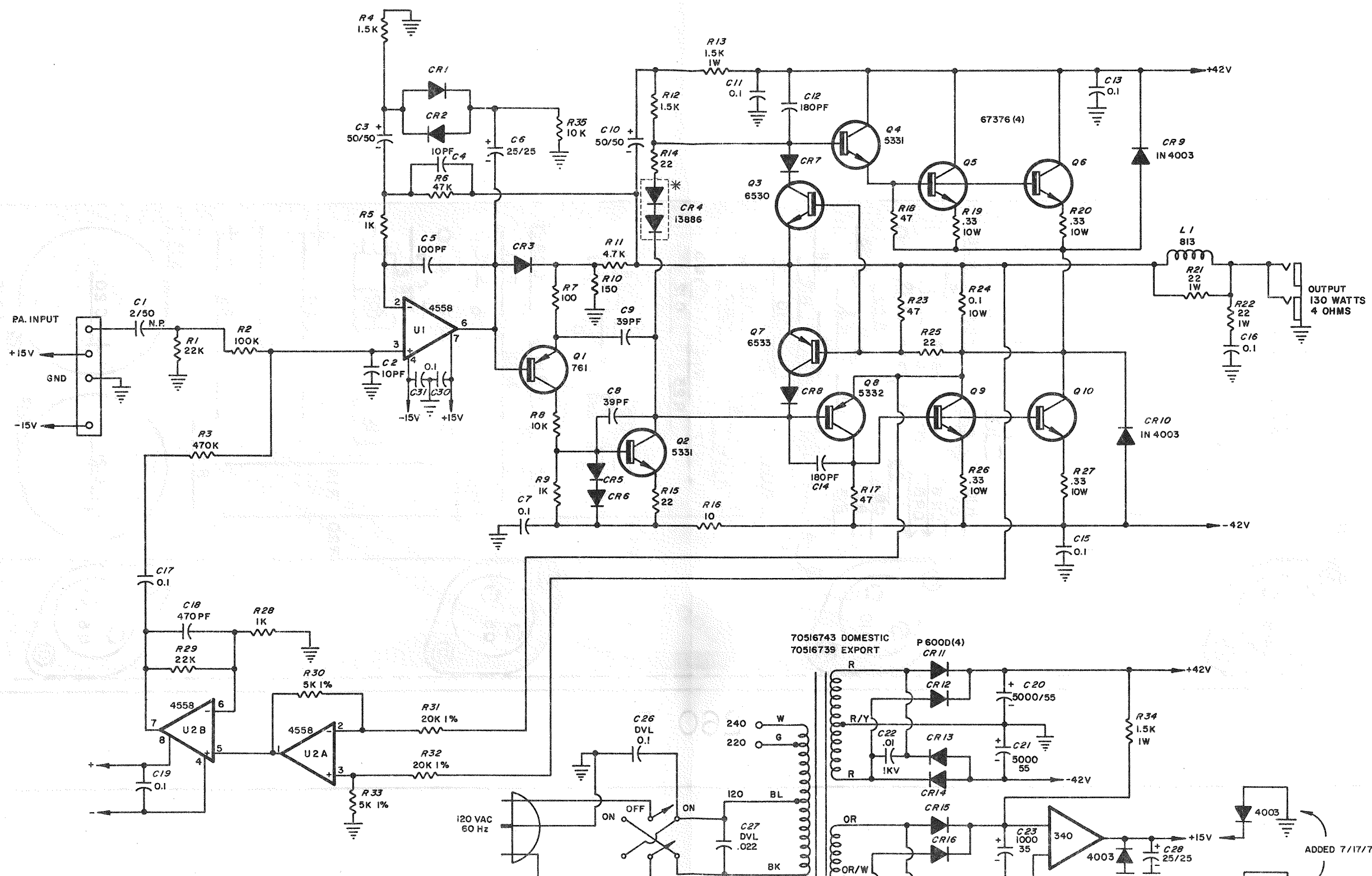
NOTES
 ALL RESISTORS 1/4W UNLESS NOTED
 ALL CAPACITORS IN MFD UNLESS NOTED
 ALL DIODES IN 4148 UNLESS NOTED
 LAST REF. DESIGNATOR USED
 R 104
 C 84
 Q 2
 CR 19
 U 11
 ALL POTS LINEAR UNLESS NOTED

STANDARD
 MARK III SERIES
 PREAMP

P/N 81515055

REVISED 12/11/80
 RES

PEAVEY ELECTRONICS CORP.	
MERIDIAN MS.	
DRAWN BY <i>[Signature]</i>	DATE 10-10-78
CKT. BRD. <i>[Signature]</i>	
CK. BY <i>[Signature]</i>	
APPR. BY <i>[Signature]</i>	



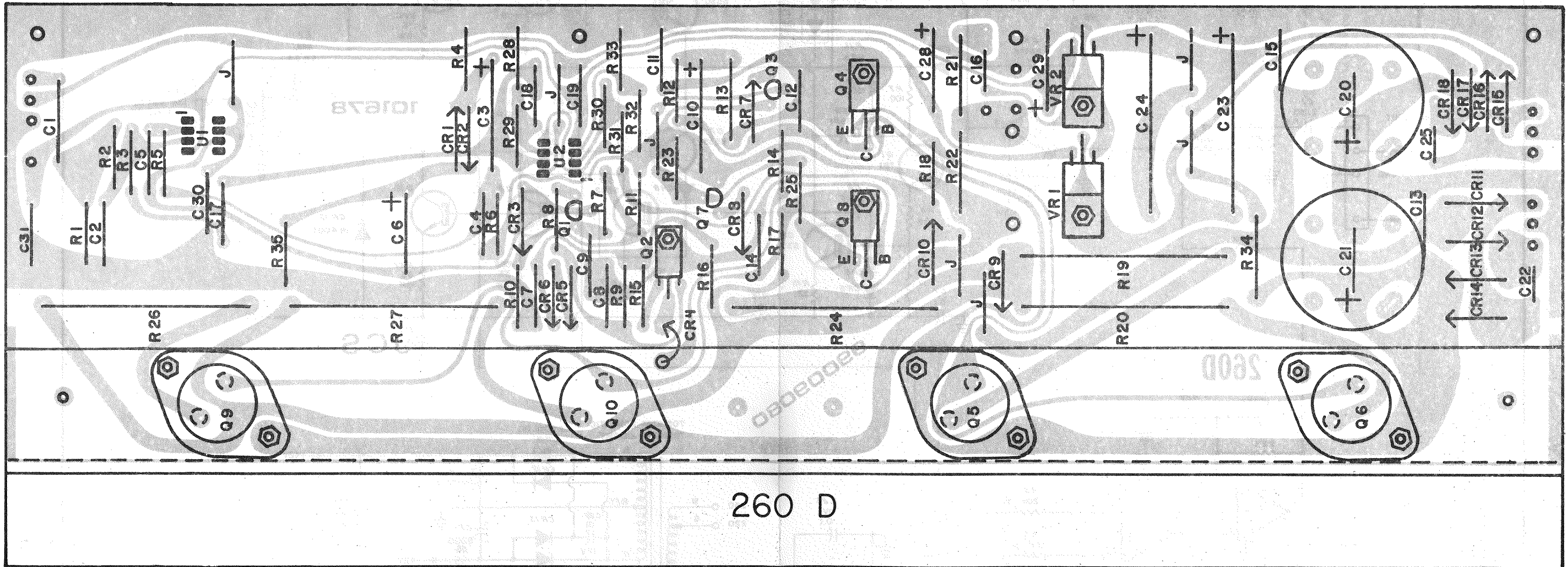
NOTES
 ALL CAPACITORS IN MFD UNLESS NOTED
 ALL RESISTORS 1/4W UNLESS NOTED
 ALL TRANSISTORS SPS 953 UNLESS NOTED
 ALL DIODES IN 4148 UNLESS NOTED
 LAST REFERENCE DESIGNATOR USED
 C3 R35 Q10 U2 CR18
 *ATTACHED TO H.S.

260D

ADDED 7/17/79

81500088

PEAVEY ELECTRONICS CORP. MERIDIAN, MS	
REVISION	DATE
C.B. CK <i>R.M.H.</i>	
CK. BY <i>[Signature]</i>	
APPR. BY <i>J.C.B.</i>	



260 D