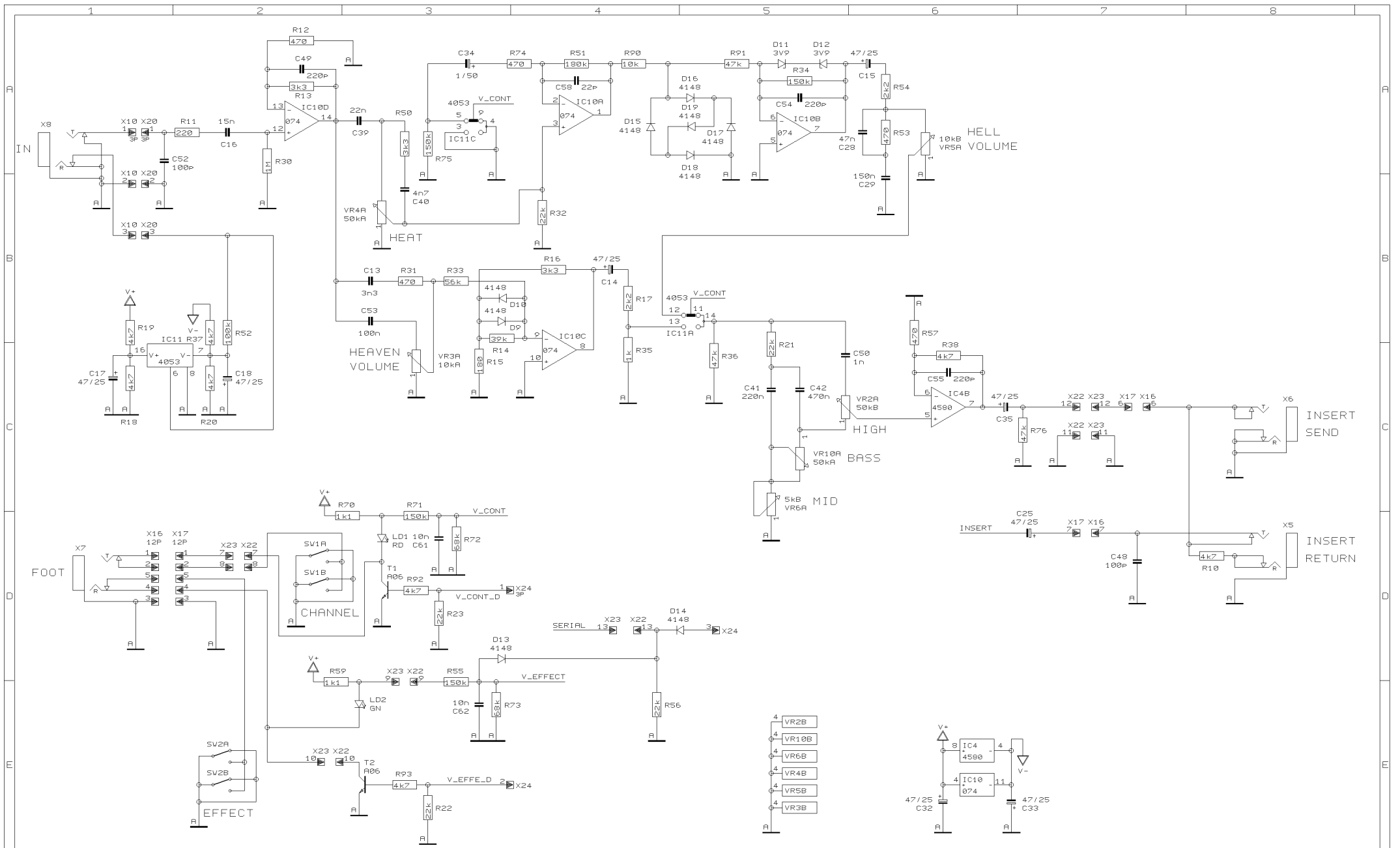


REVISIONS D (030999)

DRAWN SP CHECKED DATE 19.02. 1 11:03



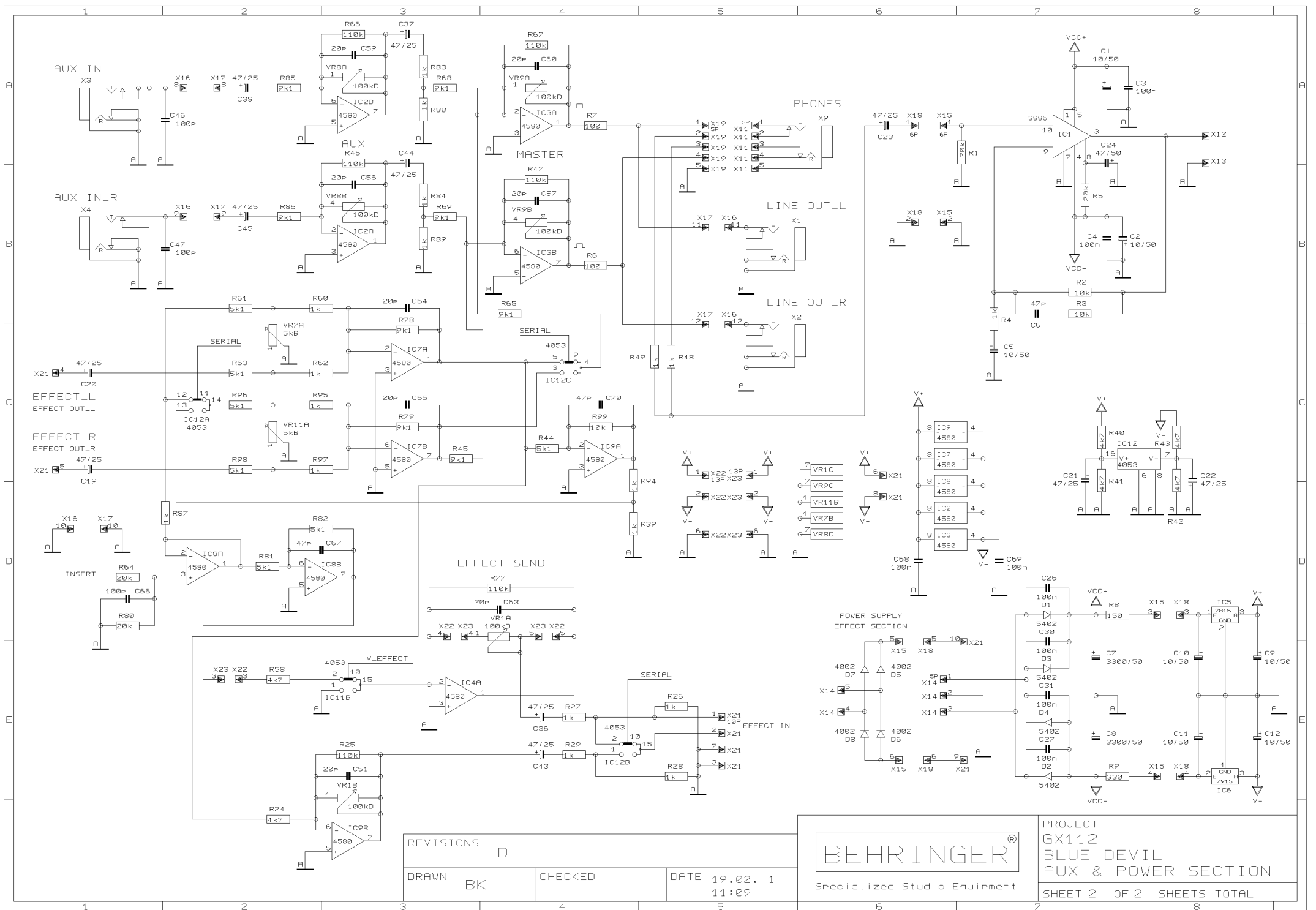
PROJECT DPM2 MULTI-FX MODULE I/O SECTION SHEET 1 OF 2 SHEETS TOTAL



REVISIONS		D	
DRAWN	BK	CHECKED	DATE 19.02. 11:09


 Specialized Studio Equipment

PROJECT
 GX112
 BLUE DEVIL
 INPUT SECTION
 SHEET 1 OF 2 SHEETS TOTAL



REVISIONS

D

DRAWN BK

CHECKED

DATE 19.02. 1
11:09



Specialized Studio Equipment

PROJECT
GX112
BLUE DEVIL
AUX & POWER SECTION

SHEET 2 OF 2 SHEETS TOTAL