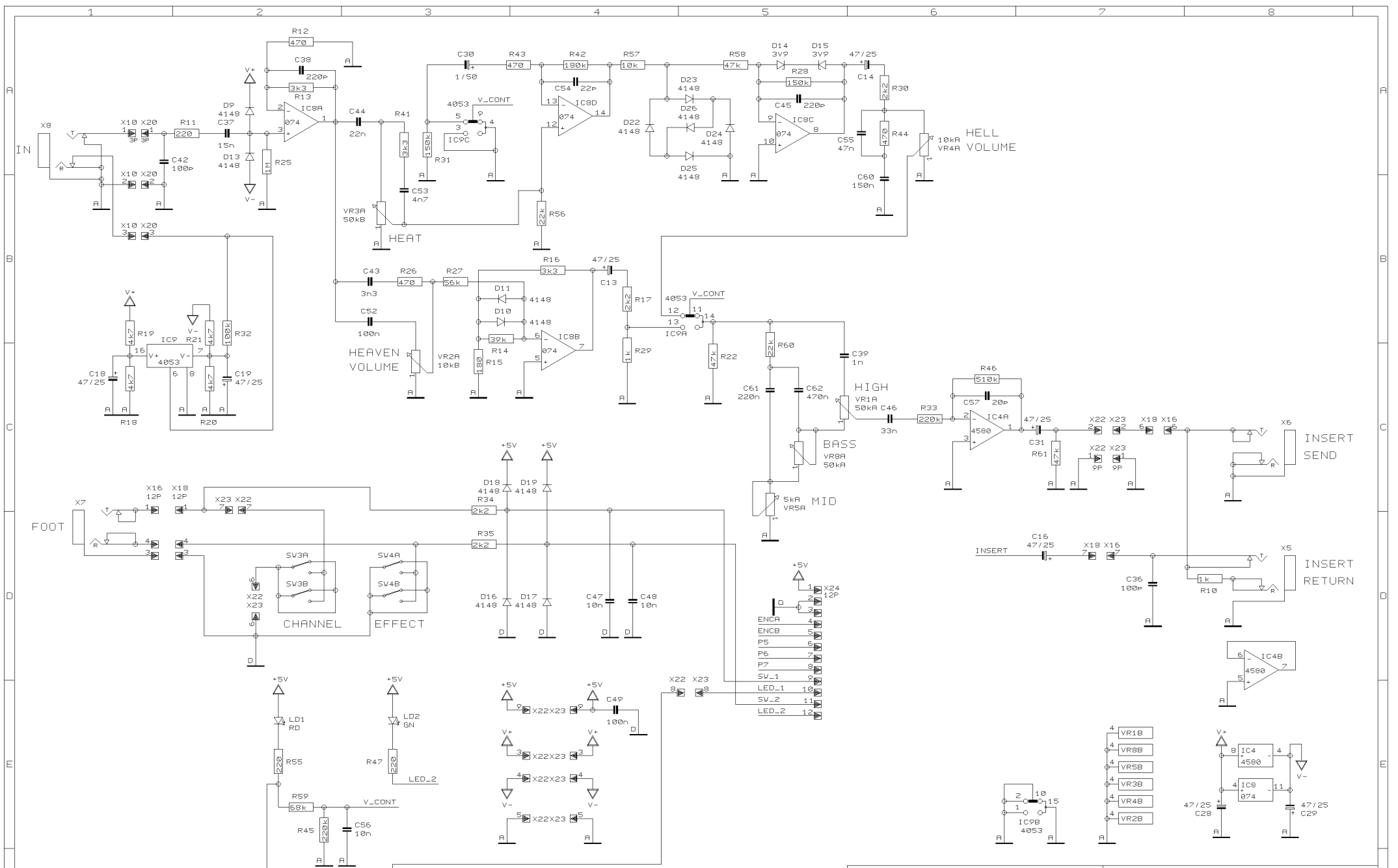


REVISIONS E (011099)

DRAWN SP CHECKED DATE 19.02. 1 11:04



PROJECT DPM2 MULTI-FX MODULE I/O SECTION SHEET 1 OF 2 SHEETS TOTAL



REVISIONS

E

DRAWN

BK

CHECKED

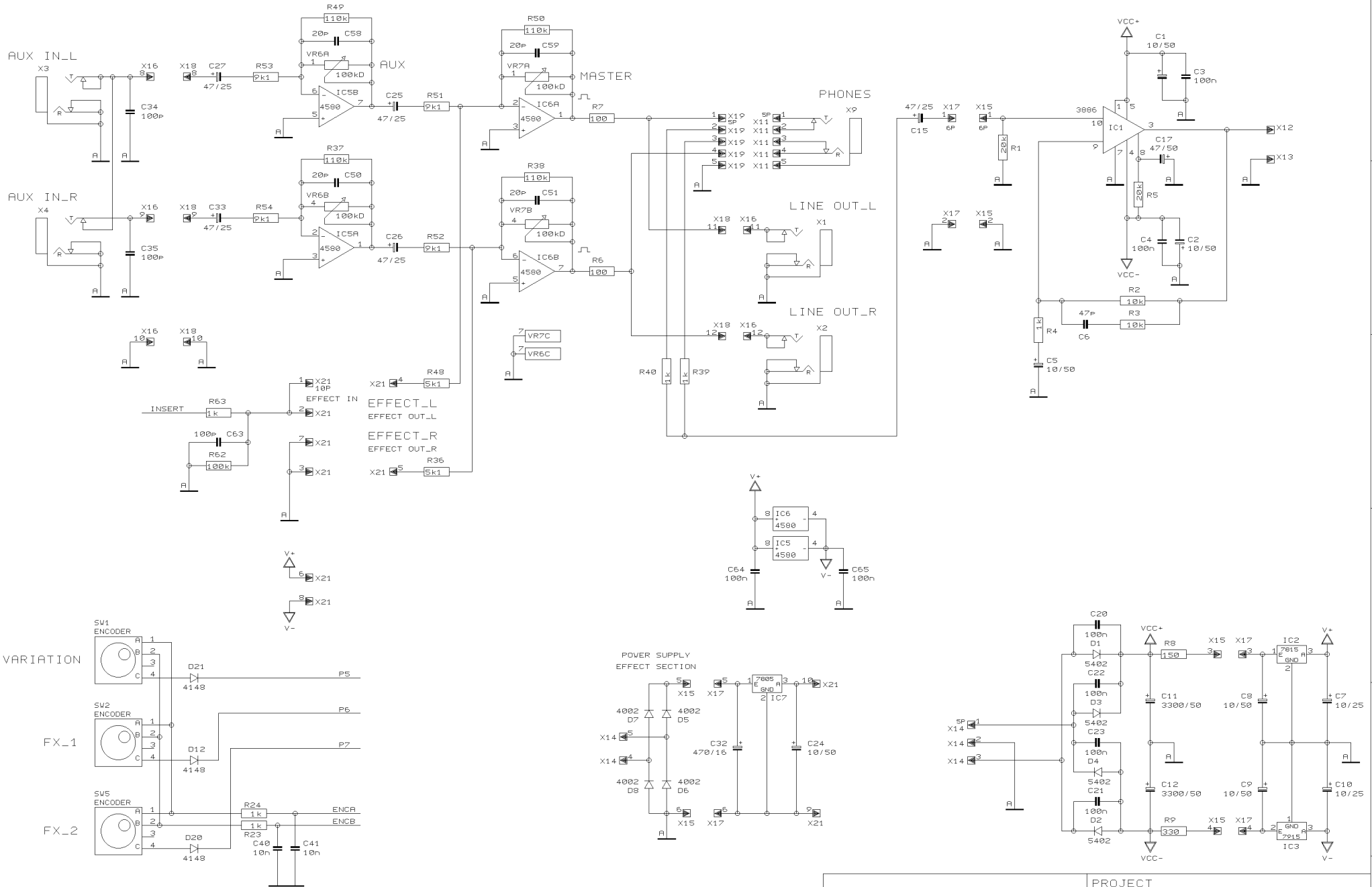
DATE 19.02. 1
11:10

BEHRINGER®

Specialized Studio Equipment

PROJECT
GX112
BLUE DEVIL
INPUT SECTION

SHEET 1 OF 2 SHEETS TOTAL



REVISIONS		E	
DRAWN	BK	CHECKED	DATE 19.02. 1 11:10



PROJECT
GX112
BLUE DEVIL
AUX & POWER SECTION
SHEET 2 OF 2 SHEETS TOTAL