

- 30 PWAD1
- 29 M1CLK1
- 28 LRCODEC1
- 27 SCLK1
- 26 SDTI1
- 25 SDT01
- 24 +5V-1
- 23 DGND-1
- 20 LB7
- 19 LB6
- 18 LB5
- 17 LB4
- 16 LB3
- 15 LB2
- 14 LB1
- 13 LB0
- 12 RST273
- 11 PO0
- 10 PO1
- 9 PO2
- 8 DGND-1
- 7 CSLED2
- 6 LED_1
- 5 LED_2
- 4 LED_3
- 3 LED_4
- 2 LED_5
- 1 CSLED

REVISIONS F (101099)

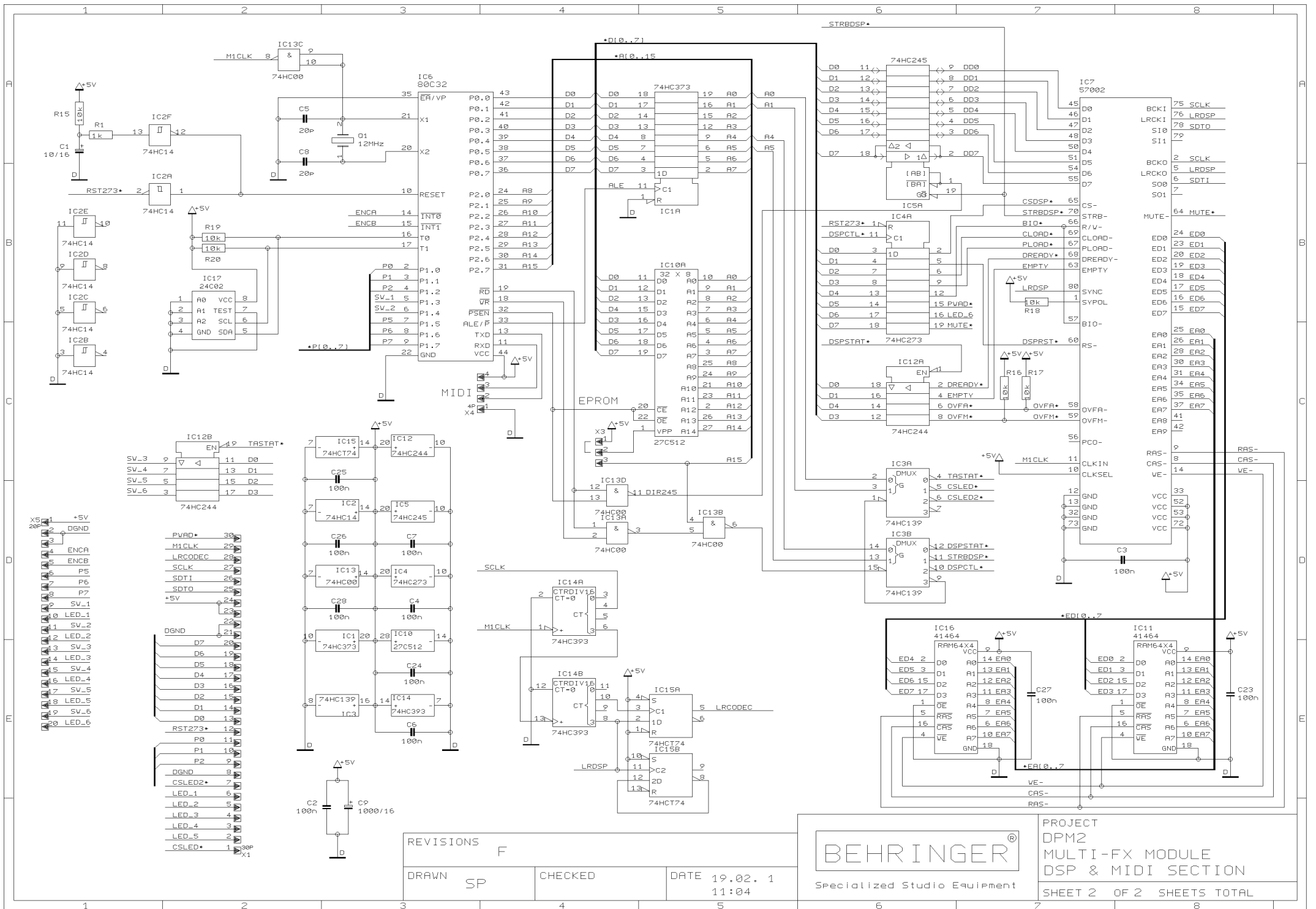
DRAWN SP

CHECKED

DATE 19.02. 1
11:04



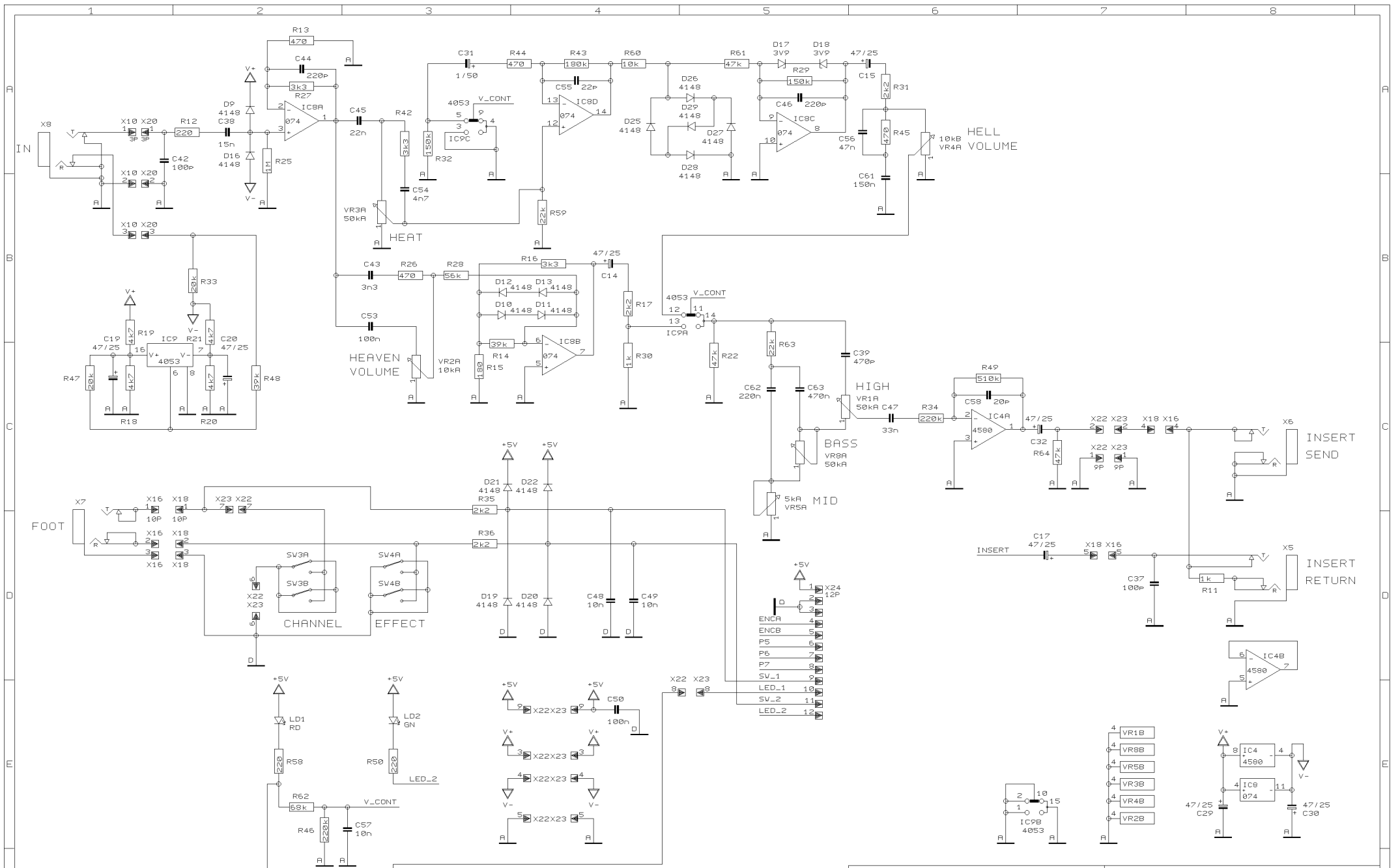
PROJECT DPM2
MULTI-FX MODULE
I/O SECTION
SHEET 1 OF 2 SHEETS TOTAL



REVISIONS	F
DRAWN	SP
CHECKED	
DATE	19.02. 1 11:04



PROJECT
DPM2
MULTI-FX MODULE
DSP & MIDI SECTION
SHEET 2 OF 2 SHEETS TOTAL

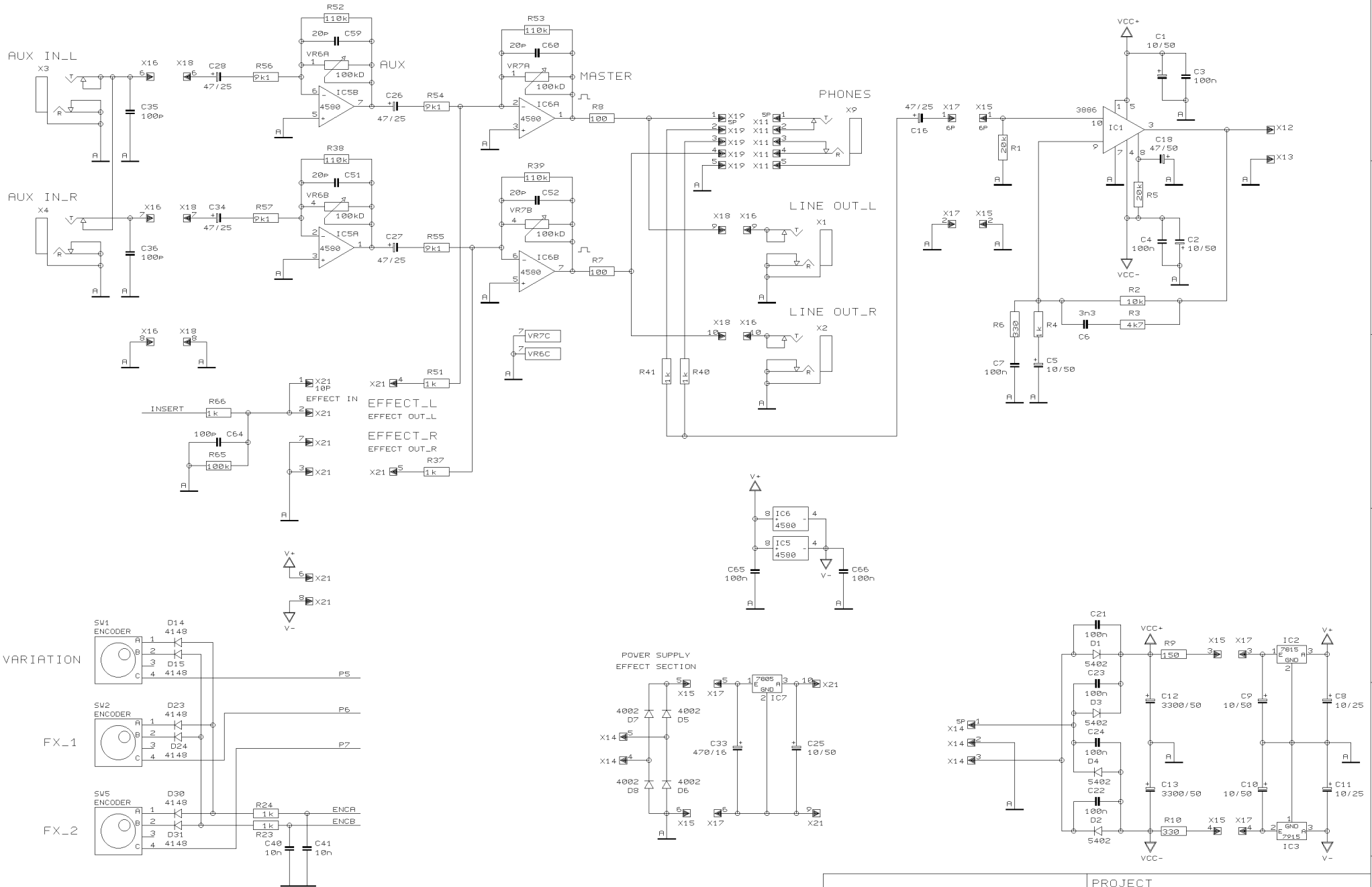


REVISIONS		F	
DRAWN	BK	CHECKED	DATE 19.02. 1 11:10



PROJECT
GX112
BLUE DEVIL
INPUT SECTION

SHEET 1 OF 2 SHEETS TOTAL



REVISIONS		F	
DRAWN	BK	CHECKED	DATE 19.02. 1 11:10



PROJECT
GX112
BLUE DEVIL
AUX & POWER SECTION
SHEET 2 OF 2 SHEETS TOTAL