

REVISIONS H (100599)

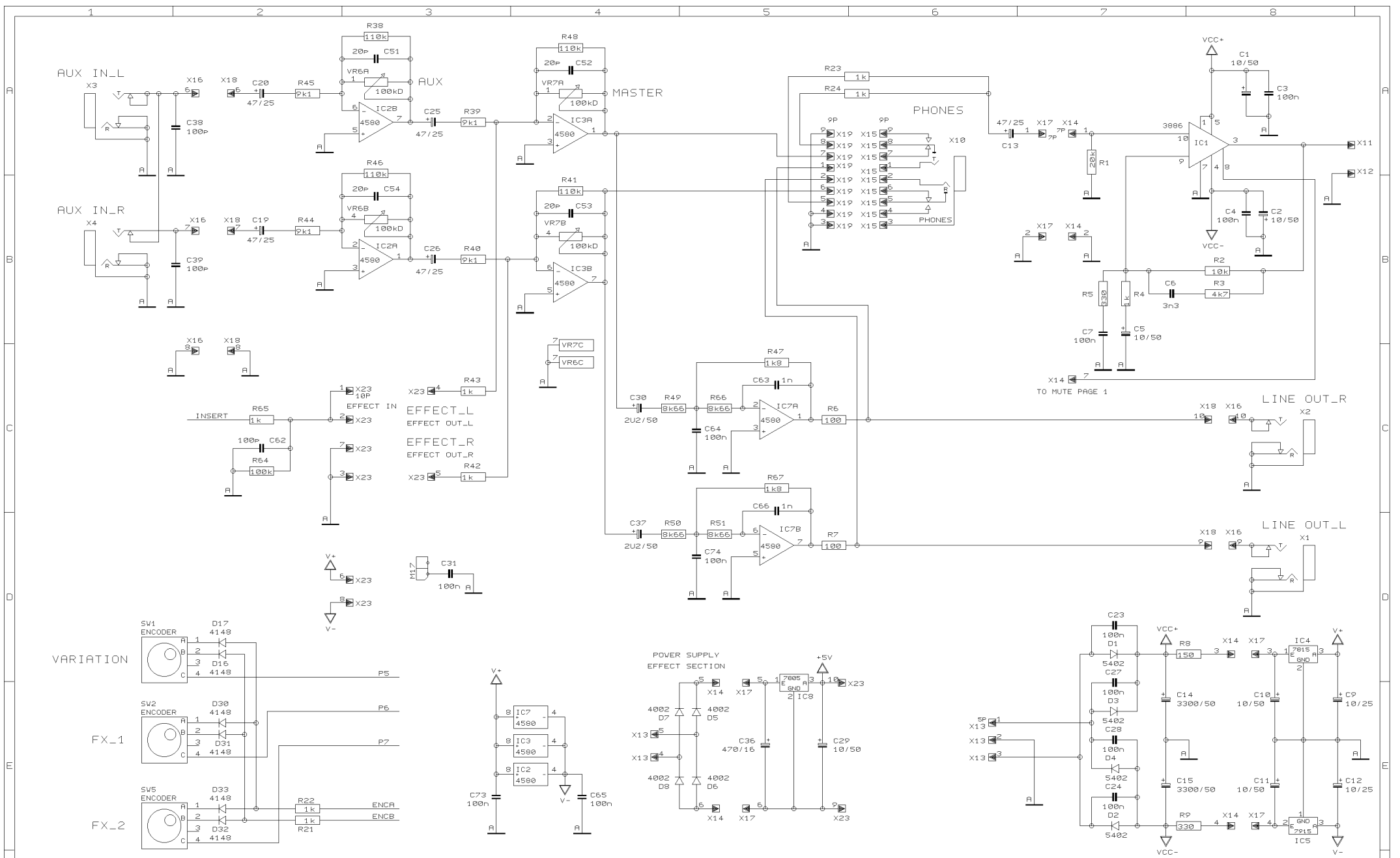
DRAWN BK

CHECKED

DATE 19.02. 1
11:11



PROJECT
GX112
BLUE DEVIL
INPUT SECTION
SHEET 1 OF 2 SHEETS TOTAL



REVISIONS H (100599)

DRAWN BK

CHECKED

DATE 19.02. 1
11:11

BEHRINGER®

Specialized Studio Equipment

PROJECT GX112
BLUE DEVIL
AUX & POWER SECTION

SHEET 2 OF 2 SHEETS TOTAL