

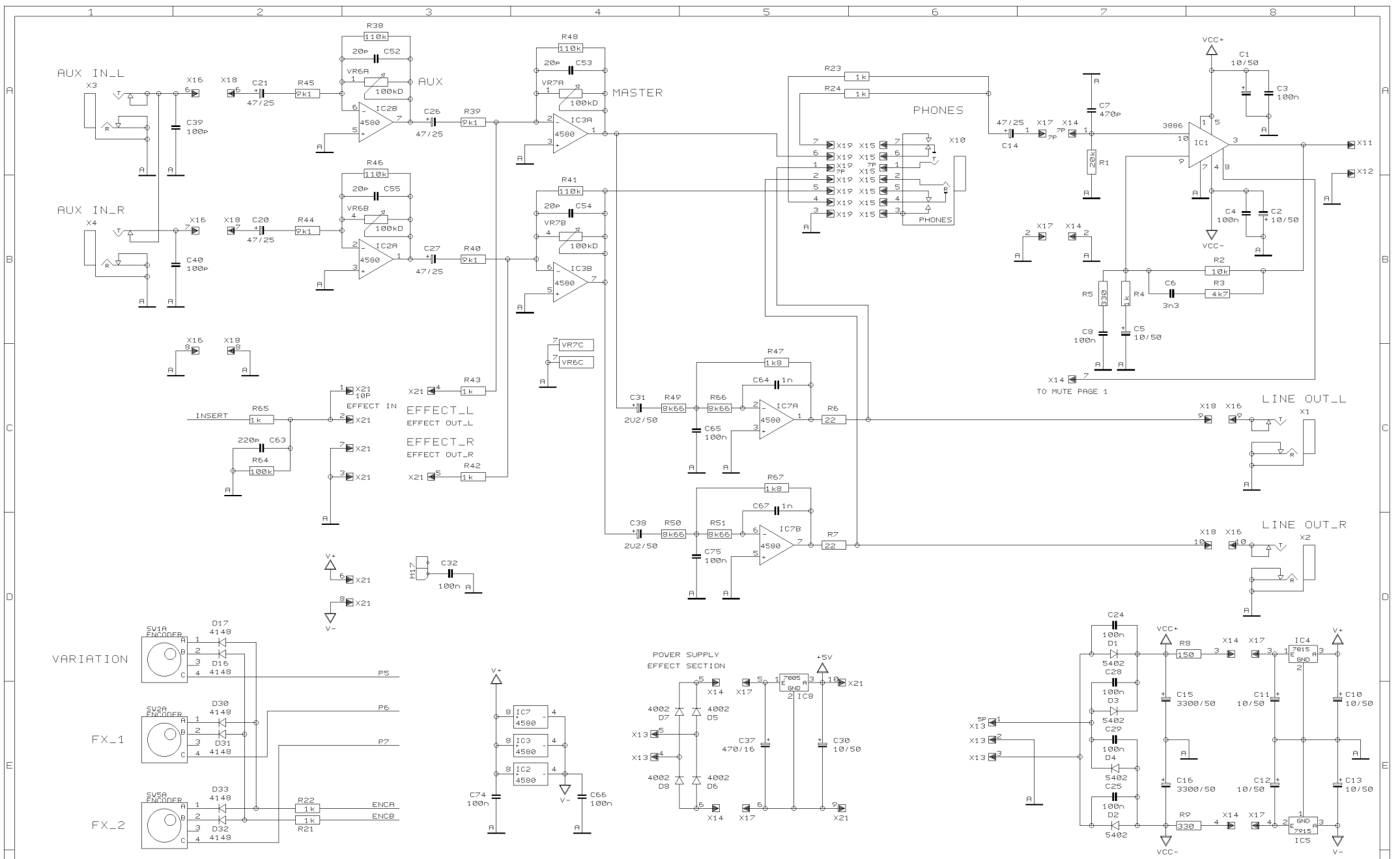
DRAWN BK

CHECKED

DATE 19.02. 1
11:12



PROJECT GX112
BLUE DEVIL
INPUT SECTION
SHEET 1 OF 2 SHEETS TOTAL



REVISIONS I (160799)

DRAWN BK

CHECKED

DATE 19.02. 1
11:12

BEHRINGER®

Specialized Studio Equipment

PROJECT GX12
BLUE DEVIL
AUX & POWER SECTION

SHEET 2 OF 2 SHEETS TOTAL