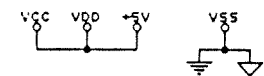
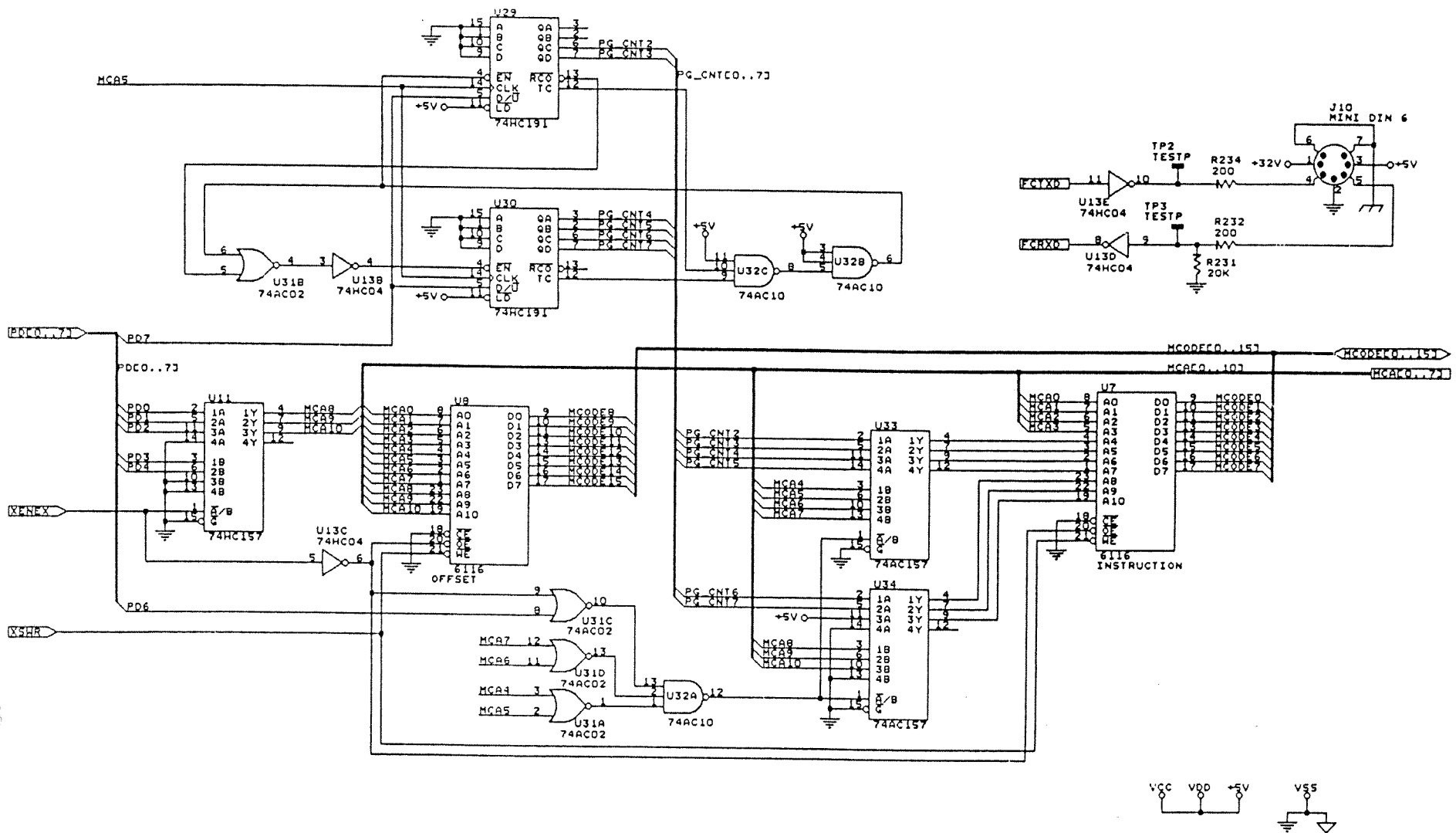
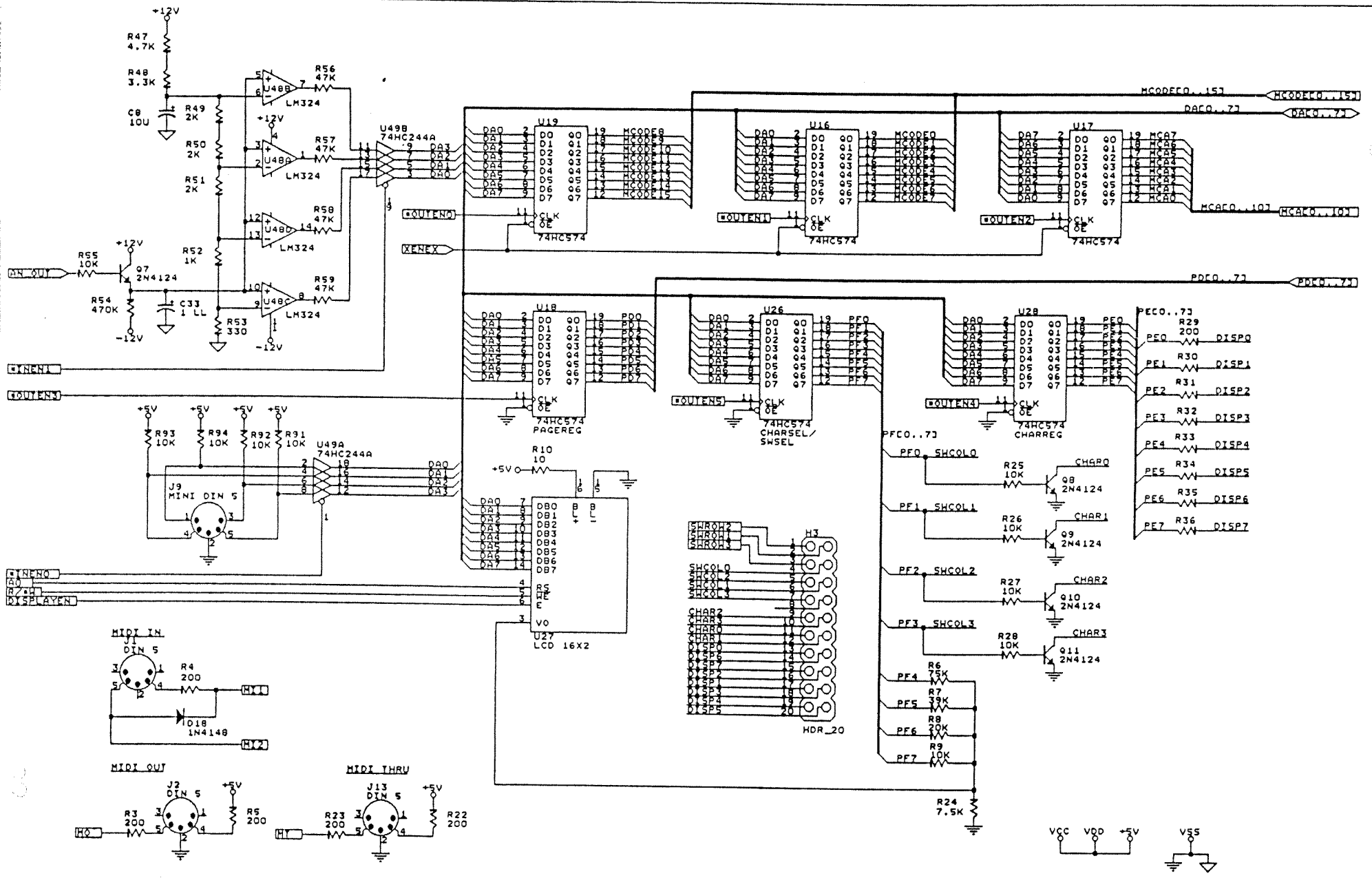
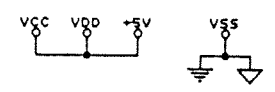
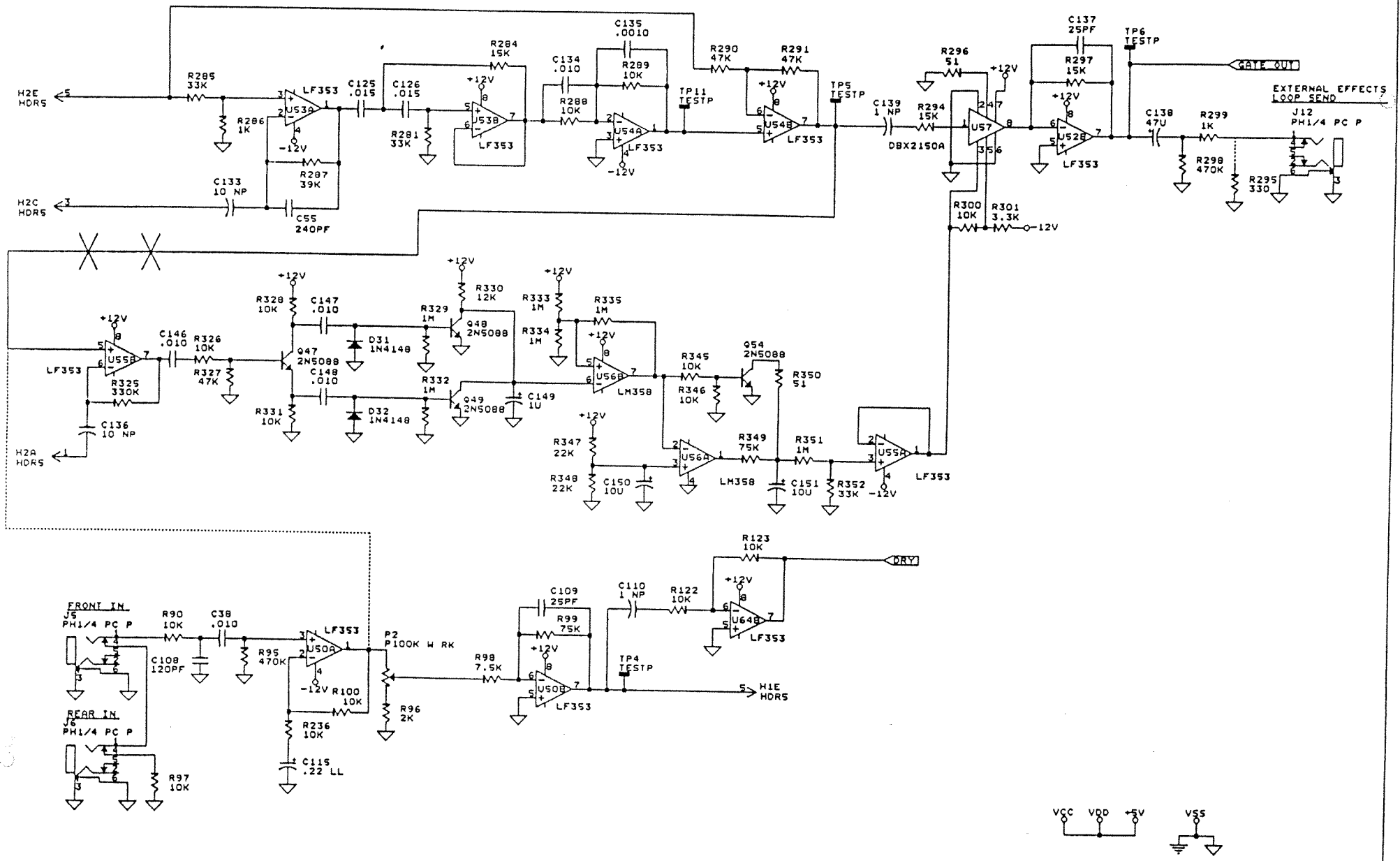


DOD Electronics Inc. 5639 So. Riley Lane Salt Lake City, Utah 84107		
Title GSP21 MAINBOARD #1		
Size Document Number B M121A601.5CH	REV A6	
Date: November 27, 1990 Sheet 1 of 7		



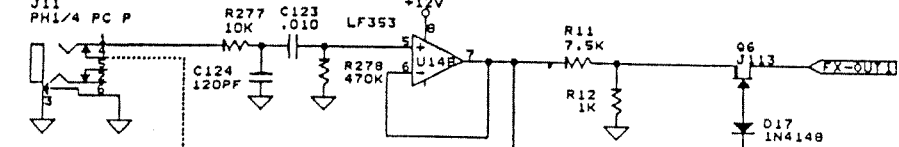
DOD Electronics Inc. 5639 So. Riley Lane Salt Lake City, Utah 84107	
Title GSP21 MAINBOARD #1	
Size 8	Document Number M121A602.SCH
Date November 27, 1990	Sheet 2 of 7
REV A6	



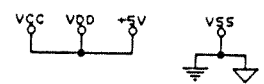
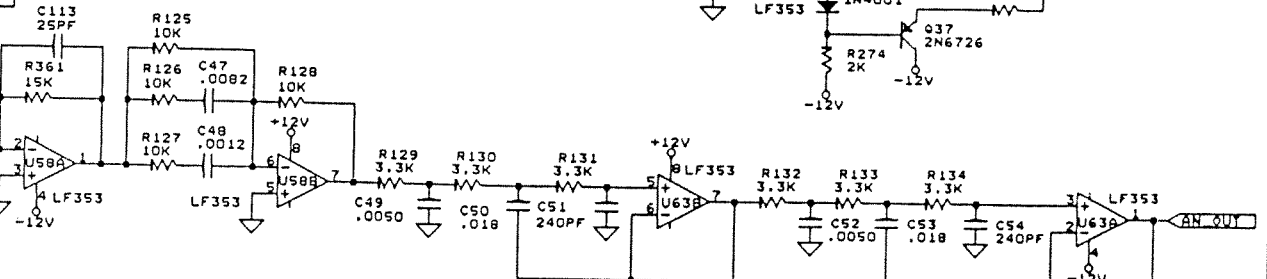
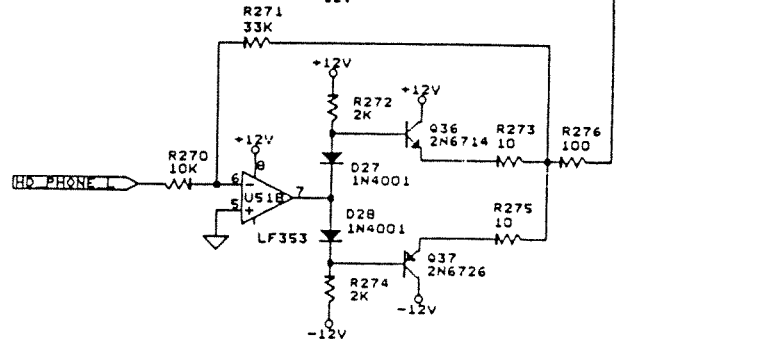
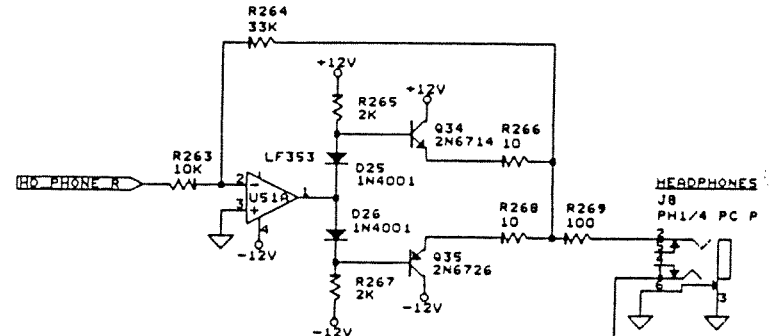
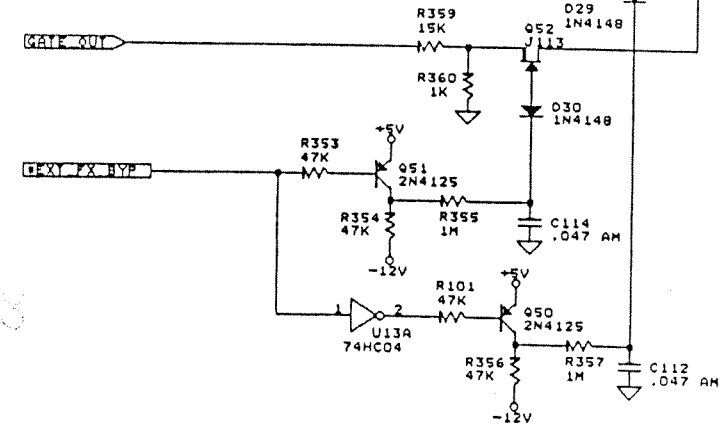
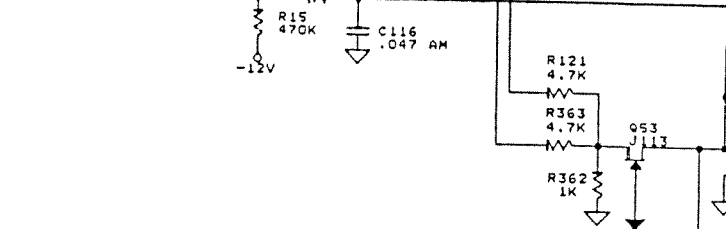
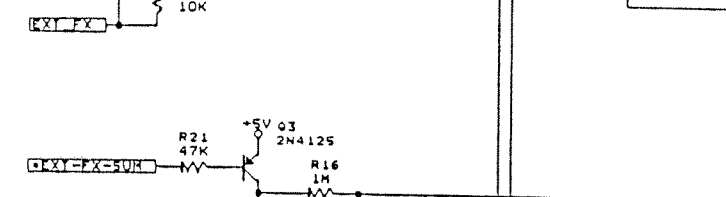
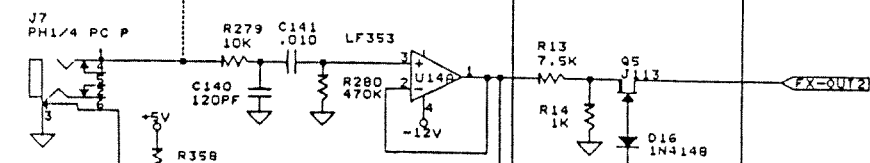


DOD Electronics, Inc. 5639 So. Riley Lane Salt Lake City, Utah 84107		
Title GSP21 MAINBOARD #1		
Size	Document Number	REV
B	M121A604.SCH	A6
Date:	November 27, 1990	Sheet 4 of 7

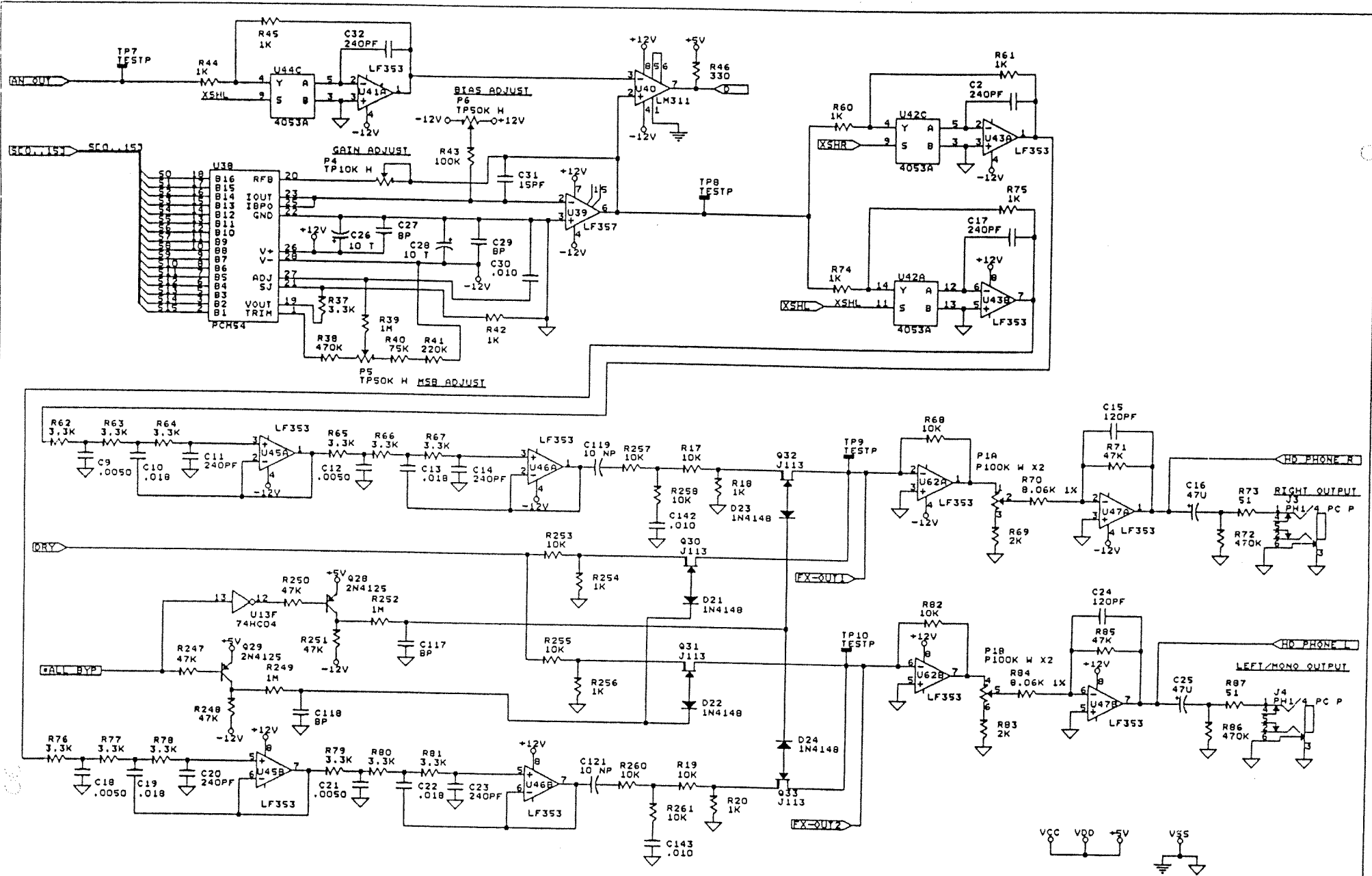
EXTERNAL EFFECTS
LOOP RETURN RIGHT



EXTERNAL EFFECTS
LEFT MONO



DOD Electronics, Inc. 5639 So. Riley Lane Salt Lake City, Utah 84107		
Title GSP21 MAINBOARD #1		
Size	Document Number	REV
B	M121A605.SCH	A6
Date:	November 27, 1990	Sheet 5 of 7



DOD Electronics Inc.
 5639 So. Riley Lane
 Salt Lake City, Utah 84107

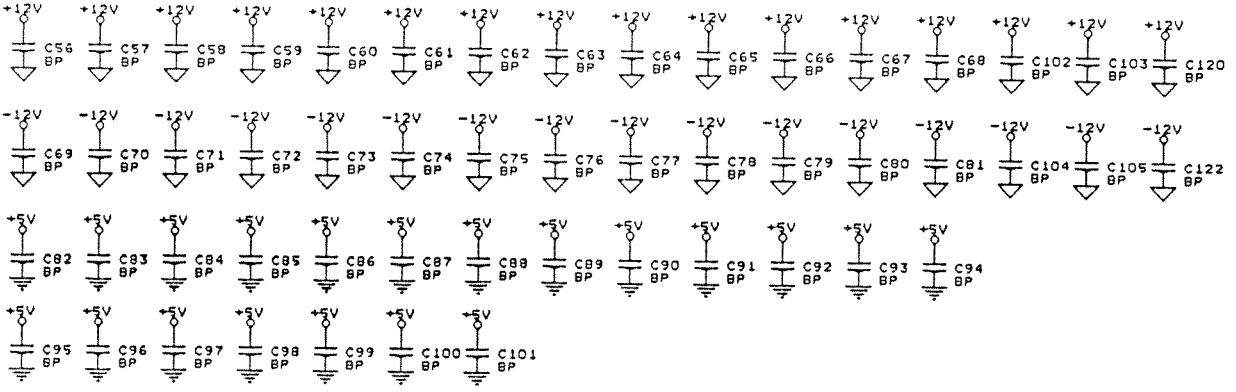
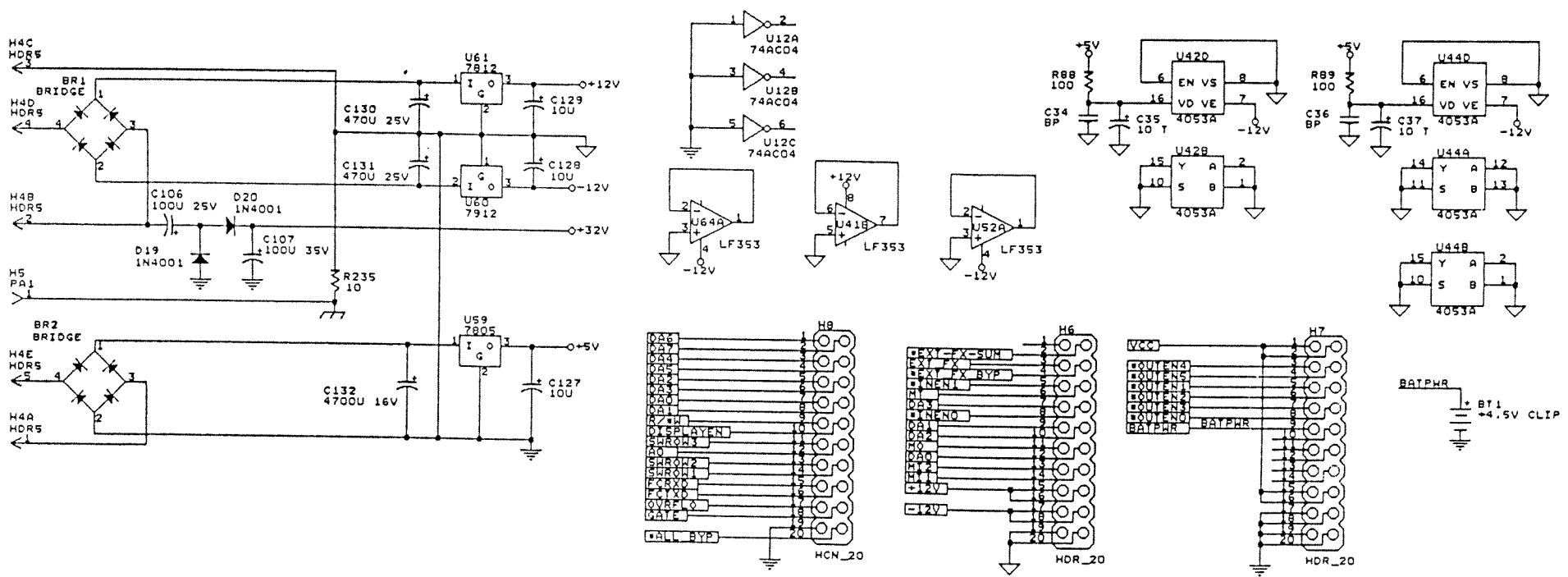
Title: GSP21 MAINBOARD #1

Size Document Number: M121A606.SCH

Date: November 27, 1990

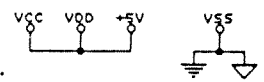
REV: A6

Sheet: 6 of 7



- NOT USED
 C3-7
 C39-46
 C111, 144, 145
 D1-15
 P3
 Q1, 2, 4
 Q12-27
 Q38-46
 R101-120, 124
 R135-230, 233
 R237-246
 R259, 262
 R282, 283
 R292, 293
 R302-324
 R336-344
 U15
 U21-25
 U34-37

- LAST REF.
 BR1
 BR2
 D1
 D15
 P6
 Q54
 R363
 U64
 X1



DOD Electronics, Inc. 5639 So. Riley Lane Salt Lake City, Utah 84107		
Title GSP21 MAINBOARD #1		
Size	Document Number	REV
B	M121A607.SCH	A6
Date: November 27, 1990		Sheet 7 of 7