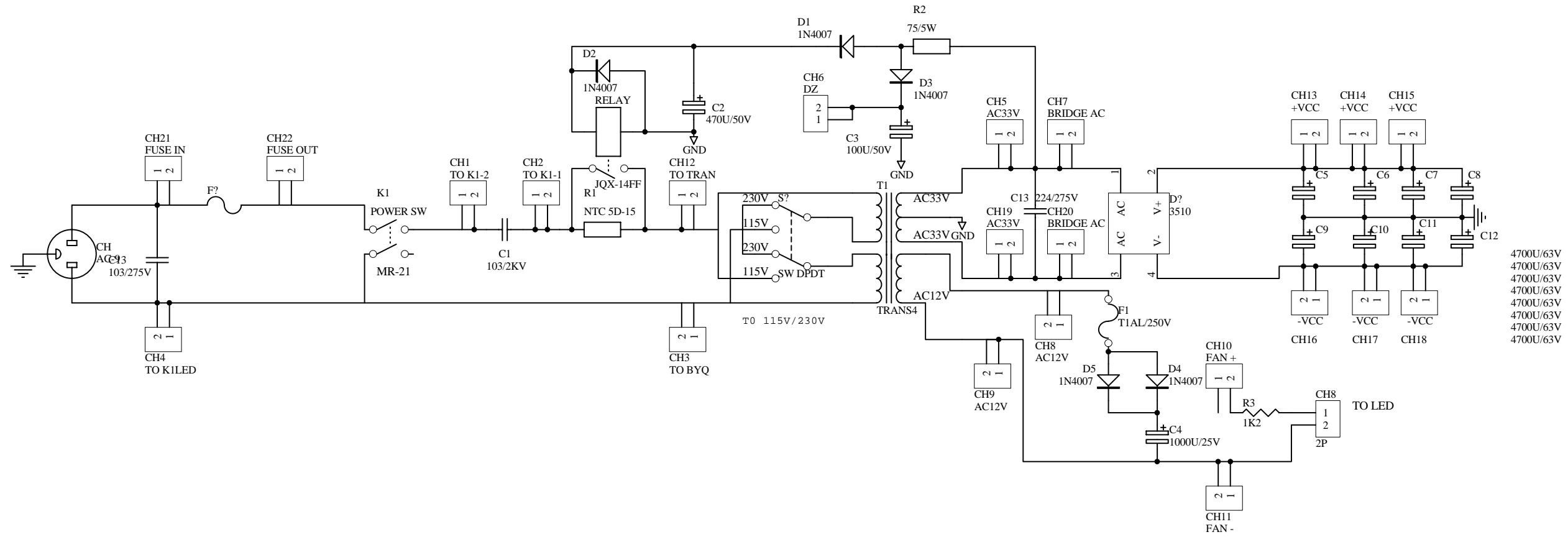
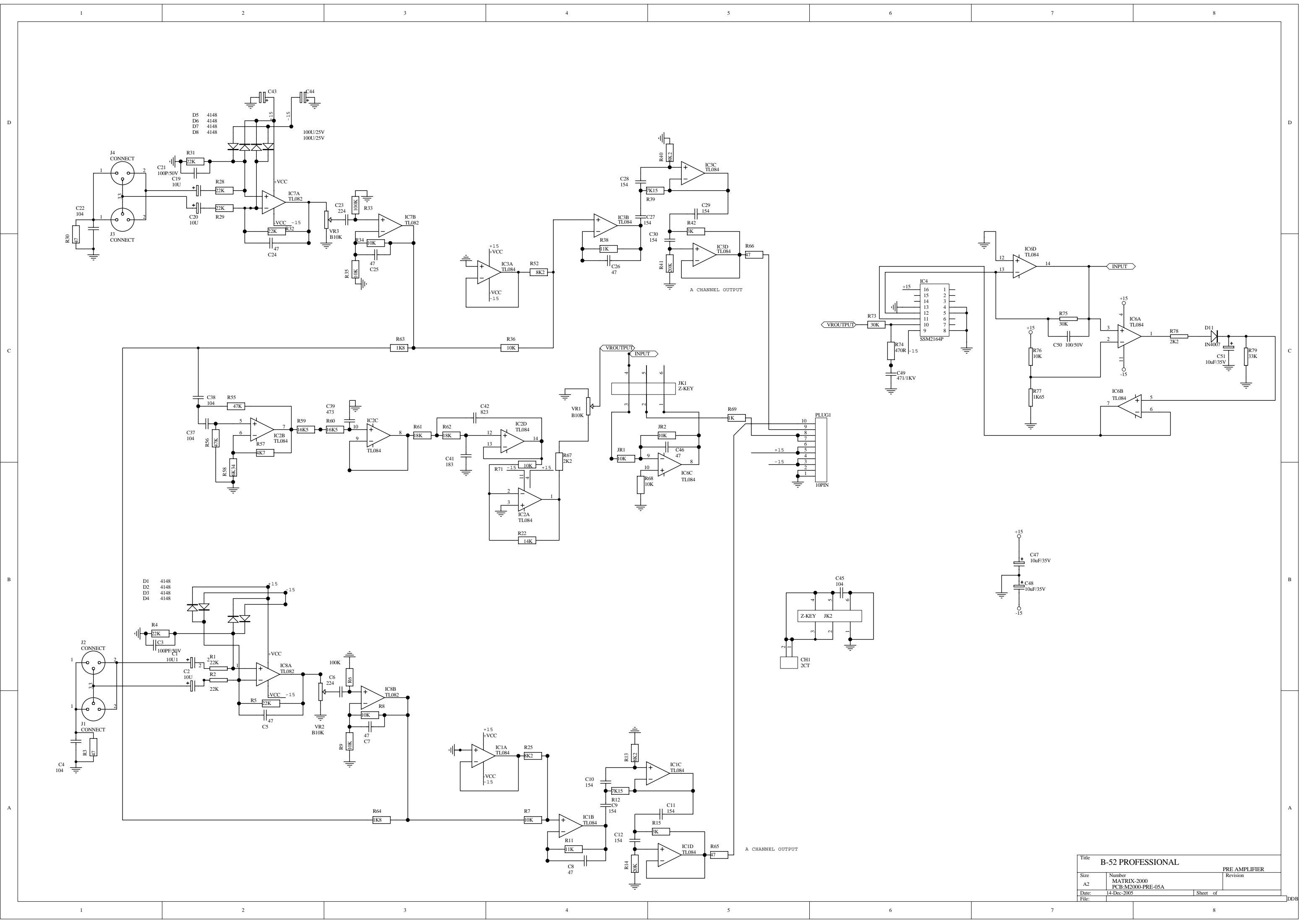


DC 24V

Title		B-52 PROFESSIONAL	
Size	Number	H POWER AMPLIFIER	
A3	MATRIX-2000	Revision	
	PCB:M2000-AMP-05A		
Date:	14-Dec-2005	Sheet of	
File:			

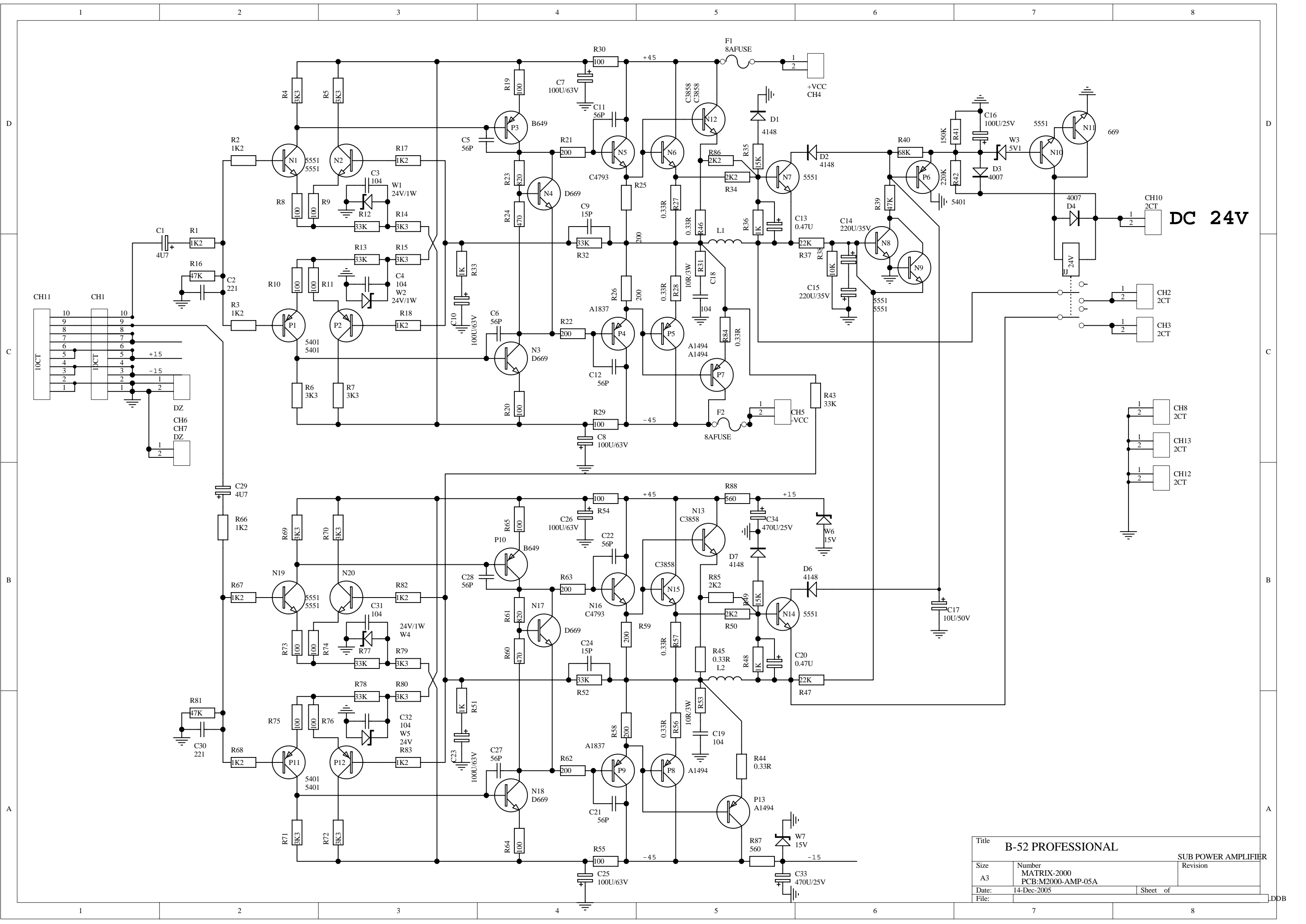


Title		B-52 PROFESSIONAL	
Size	Number	POWER SUPPLY	
A3	MATRIX-1000V2 MATRIX-2000 PCB: M1000 V2-POW-05B	Revision	
Date:	14-Dec-2005	Sheet of	
File:			

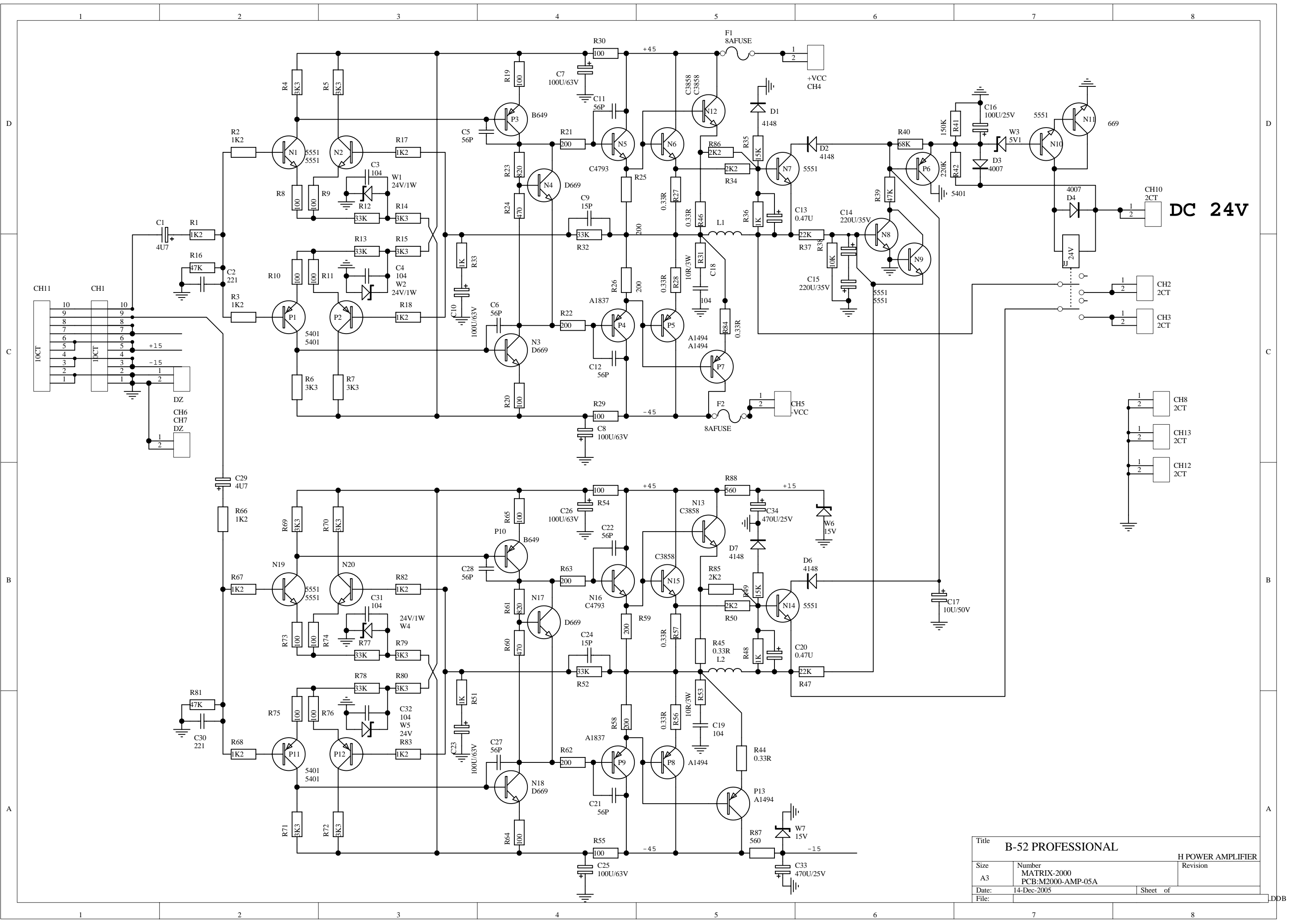


Title		B-52 PROFESSIONAL	
Size	Number	PRE AMPLIFIER	
A2	MATRIX-2000	Revision	
Date:	14-Dec-2005	Sheet of	
File:			

DD8

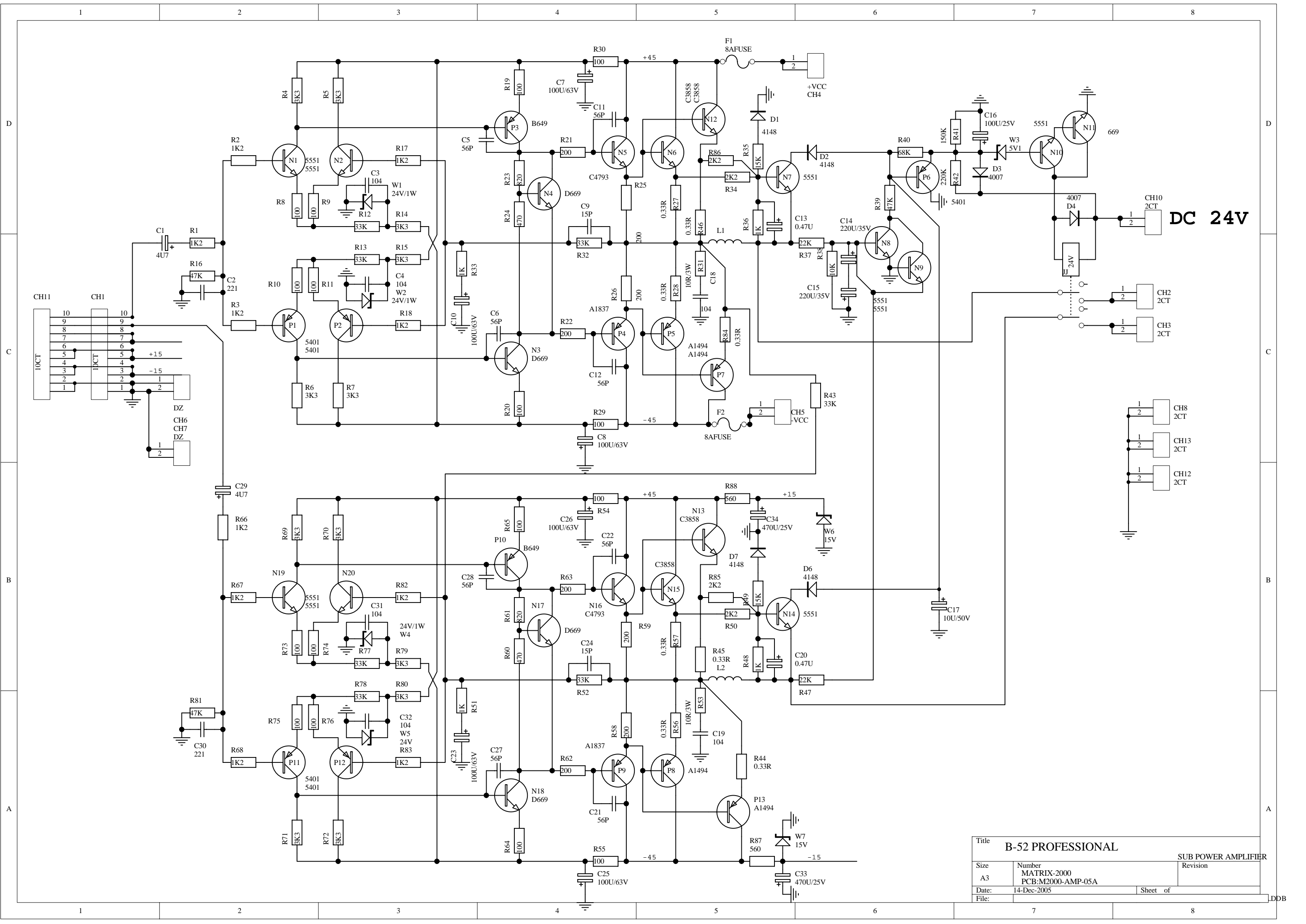


Title		B-52 PROFESSIONAL		SUB POWER AMPLIFIER	
Size	A3	Number	MATRIX-2000 PCB:M2000-AMP-05A	Revision	
Date:	14-Dec-2005	Sheet of			
File:					

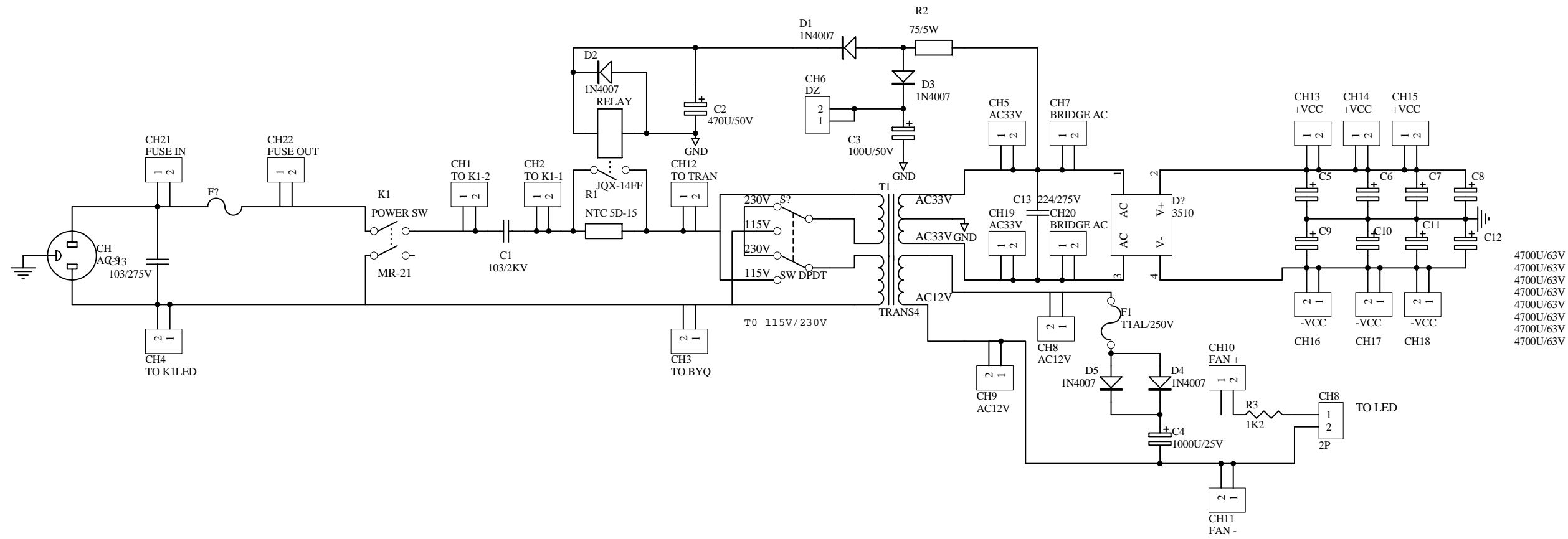


DC 24V

Title		B-52 PROFESSIONAL	
Size	Number	H POWER AMPLIFIER	
A3	MATRIX-2000	Revision	
Date:	14-Dec-2005	Sheet of	
File:	PCB:M2000-AMP-05A		

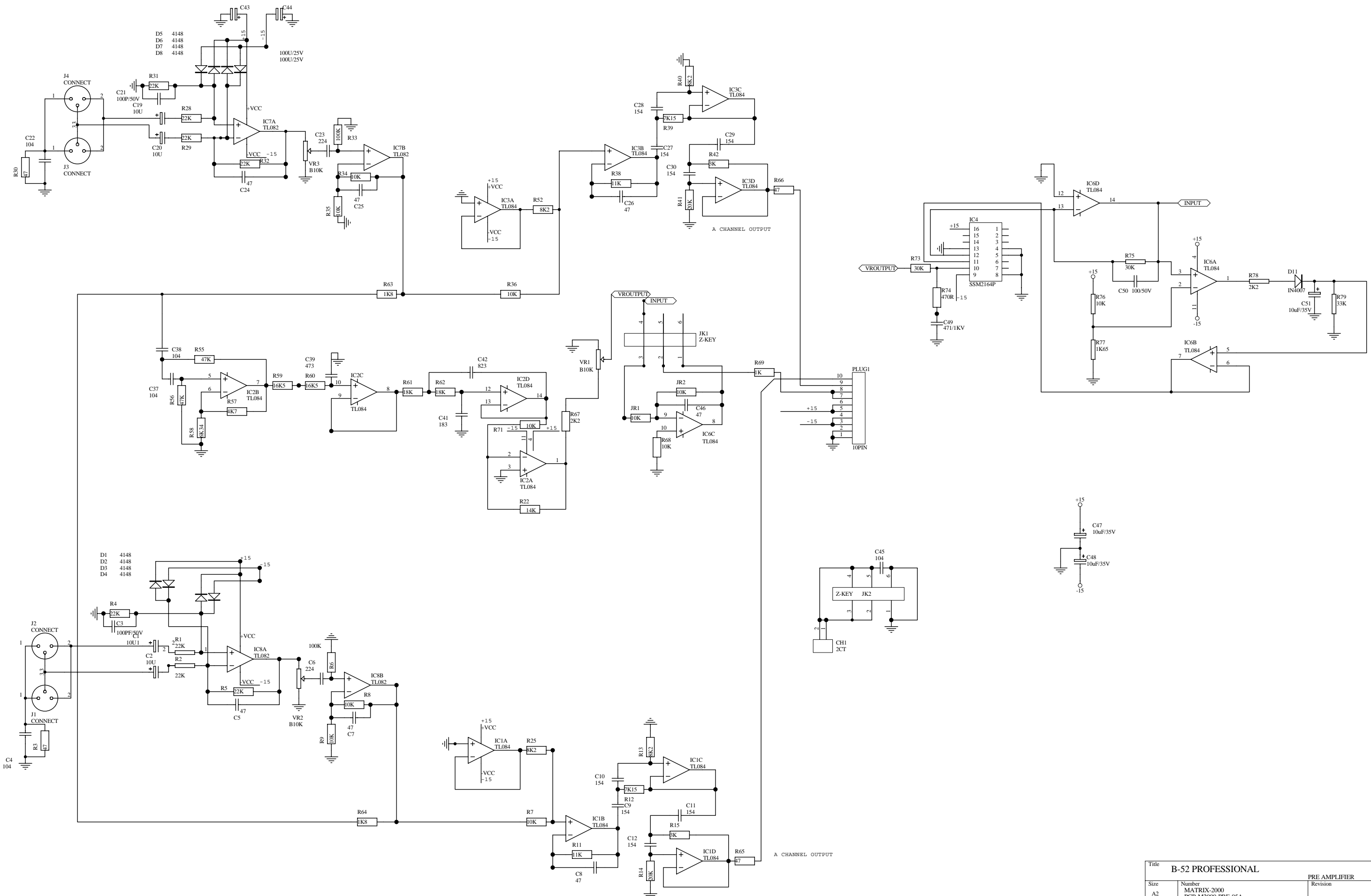


Title		B-52 PROFESSIONAL		SUB POWER AMPLIFIER	
Size	A3	Number	MATRIX-2000 PCB:M2000-AMP-05A	Revision	
Date:	14-Dec-2005	Sheet of			
File:					



4700U/63V
 4700U/63V
 4700U/63V
 4700U/63V
 4700U/63V
 4700U/63V
 4700U/63V

Title		B-52 PROFESSIONAL	
		POWER SUPPLY	
Size	Number	Revision	
A3	MATRIX-1000V2 MATRIX-2000 PCB: M1000 V2-POW-05B		
Date:	14-Dec-2005	Sheet of	
File:			



Title		B-52 PROFESSIONAL	
Size	Number	PRE AMPLIFIER	
A2	MATRIX-2000	Revision	
Date:	14-Dec-2005	Sheet of	
File:		DDB	