

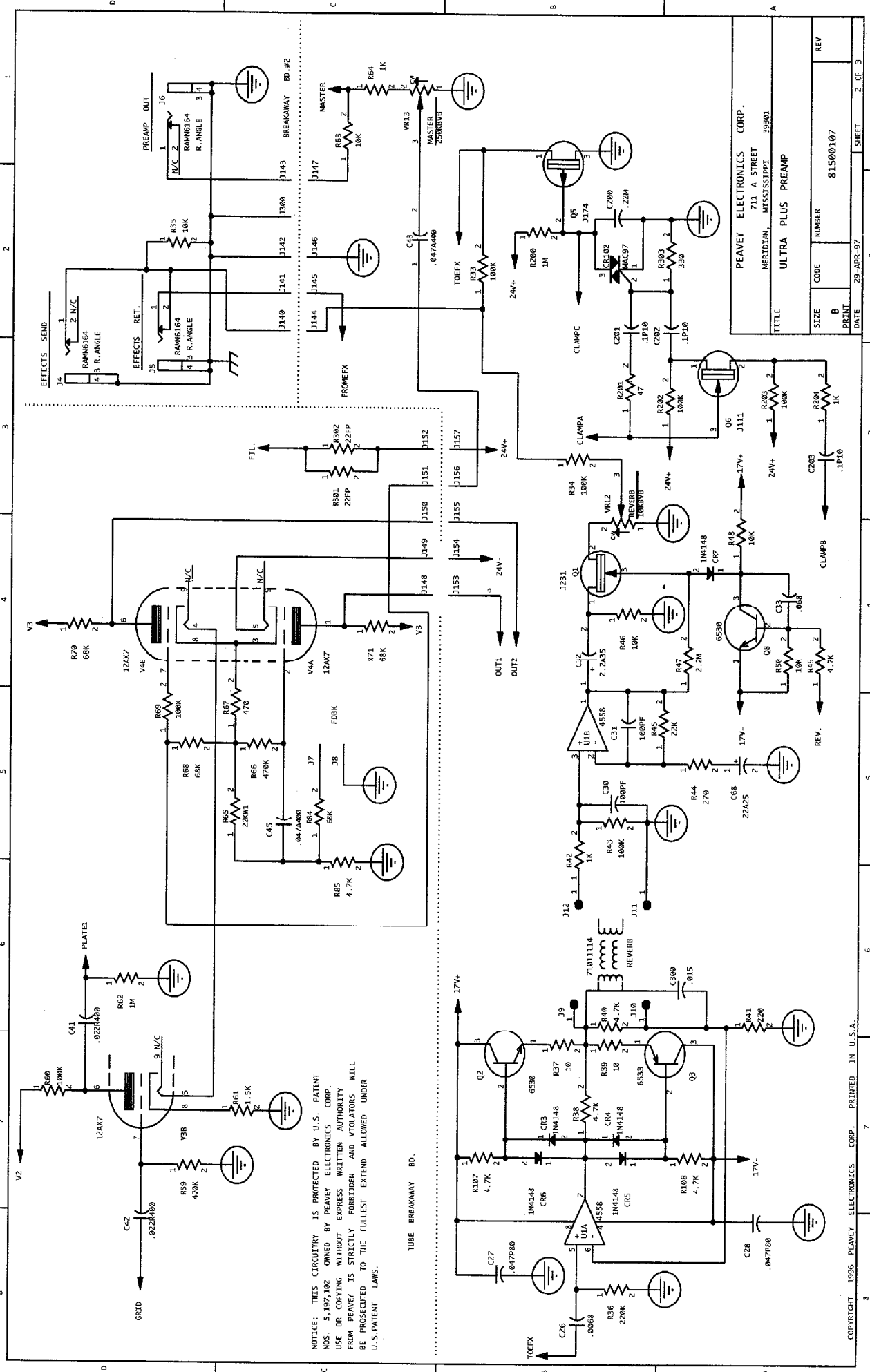
PEAVEY ELECTRONICS CORP.  
 711 A STREET  
 MERIDIAN, MISSISSIPPI 39301

TITLE  
 ULTRA PLUS PREAMP  
 CB #98852430

SIZE	B	CODE	NUMBER
PRINT		DATE	29-APR-57
REV	1	SHEET	1 OF 3

NOTICE: THIS CIRCUITRY IS PROTECTED BY U.S. PATENT NOS. 5,197,102 OWNED BY PEAVEY ELECTRONICS CORP. USE OR COPYING WITHOUT EXPRESS WRITTEN AUTHORITY FROM PEAVEY IS STRICTLY FORBIDDEN AND VIOLATORS WILL BE PROSECUTED TO THE FULLEST EXTEND ALLOWED UNDER U.S. PATENT LAWS.

501	N/C	503	505
502	37550W	504	57550W
503	N/C	505	57550W

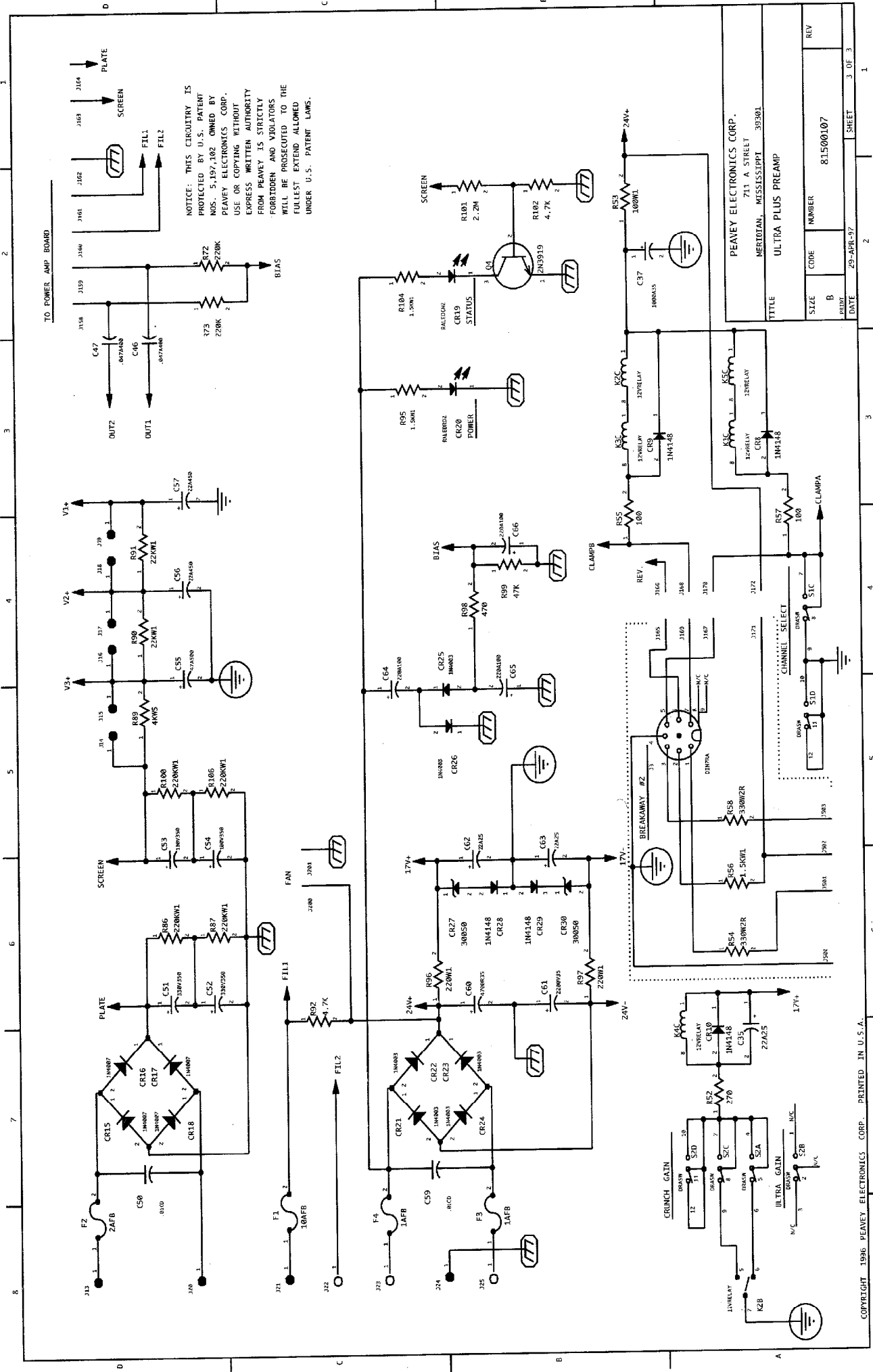


NOTICE: THIS CIRCUITRY IS PROTECTED BY U.S. PATENT NOS. 5,197,102 OWNED BY PEAVEY ELECTRONICS CORP. USE OR COPYING WITHOUT EXPRESS WRITTEN AUTHORITY FROM PEAVEY IS STRICTLY FORBIDDEN AND VIOLATORS WILL BE PROSECUTED TO THE FULLEST EXTENT ALLOWED UNDER U.S. PATENT LAWS.

TITLE		SIZE	CODE	NUMBER	REV
ULTRA PLUS PREAMP		B		81500107	
DATE		PRINT	SHEET		
29-APR-97			2 OF 3		

PEAVEY ELECTRONICS CORP.  
 711 A STREET  
 MERIDIAN, MISSISSIPPI 39301

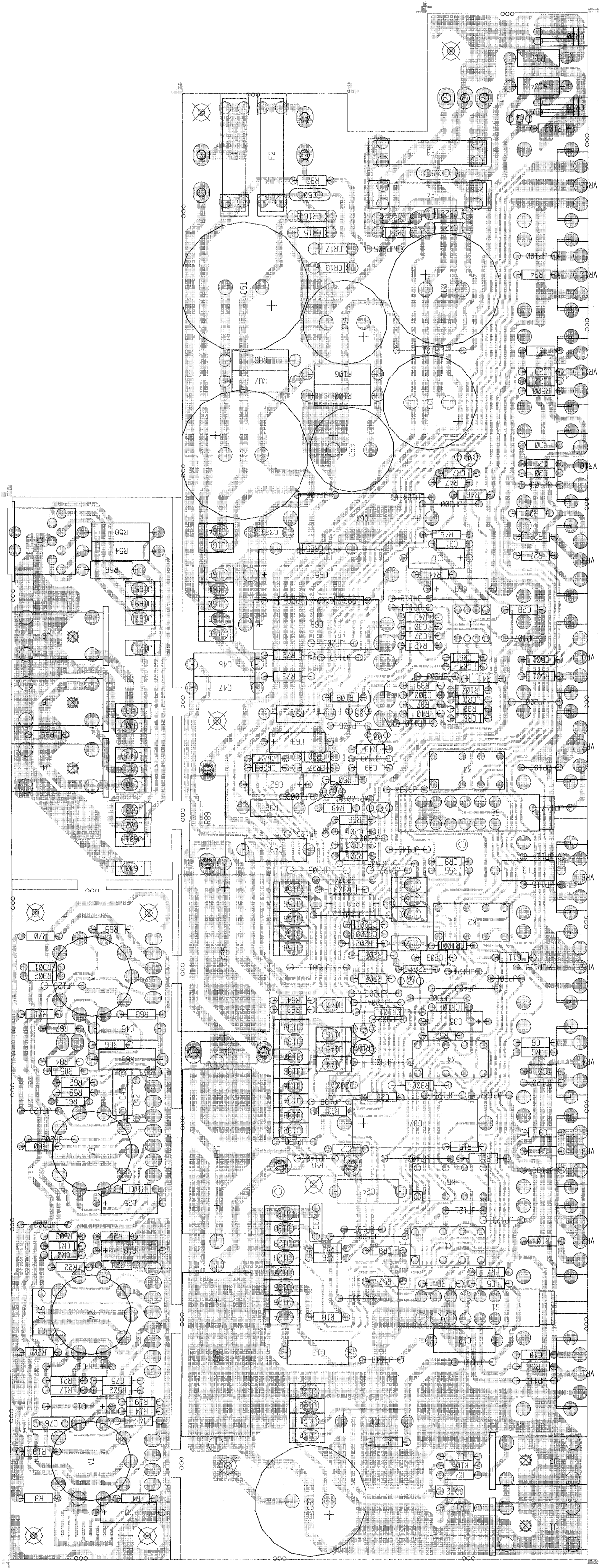
COPYRIGHT ©1996 PEAVEY ELECTRONICS CORP. PRINTED IN U.S.A.



NOTICE: THIS CIRCUITRY IS PROTECTED BY U.S. PATENT NOS. 5,197,102 OWNED BY PEAVEY ELECTRONICS CORP. USE OR COPYING WITHOUT EXPRESS WRITTEN AUTHORITY FROM PEAVEY IS STRICTLY FORBIDDEN AND VIOLATORS WILL BE PROSECUTED TO THE FULLEST EXTENT ALLOWED UNDER U.S. PATENT LAWS.

TO POWER AMP BOARD

PEAVEY ELECTRONICS CORP. 711 A STREET MERTOTAN, MISSISSIPPI 39301			
TITLE ULTRA PLUS PREAMP			
SIZE	CODE	NUMBER	REV
B		81500107	
DATE	29-APR-97		SHEET 3 OF 3



Ultra Plus Preamp

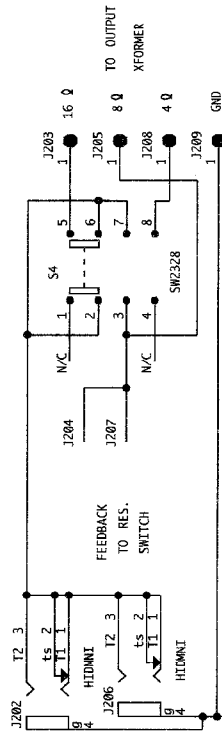
BOARD NAME: ULTRA PLUS FREAMP

** QTY	PART NAME	VALUE	PART NUMBER	DESCRIPTION AND DEVICE DESIGNATIONS
1	39PF	39PF	70340052	39PF-----50VDC-T/C-T&R
1	.15F	.15F	70330113	0.10 MFD 10% 100V STICK FILM T&R
1	22A25	22A25	70320012	22MFD +/-20% 25VDC EL AXL
1	.047A400	.047A400	70320105	.047MFD 450 VOLT T&R CAP
1	.0022	.0022	70340004	.0022MF-10%-50VDC-T/C-T&R
1	270PF	270PF	70340057	270PF-10%-50VDC-T/C-T&R
1	.1P10	.1P10	70340101	.1MF-10%-50VDC-MON-T&R
1	.047	.047	70340017	.047MF-10%-50VDC-MON-T&R
1	.015	.015	70340010	.015MF-10%-50VDC-T/C-T&R
2	470PF	470PF	70340058	470PF-10%-50VDC-T/C-T&R
2	.047A400	.047A400	70320105	.047MFD 450 VOLT T&R CAP
1	.47A50L	.47A50L	70340063	.47MFD 50V LOW LEAKAGE
1	.022R400	.022R400	70320106	.022 MFD 400V RADIAL MFLAR
2	22A25	22A25	70320012	22MFD +/-20% 25VDC EL AXL
1	.022R400	.022R400	70320293	.022MF-400V-T&R-CAP
1	.0022	.0022	70340004	.0022MF-10%-50VDC-T/C-T&R
1	.001	.001	70340000	.001MF-10%-50VDC-MON-T&R
2	100PF	100PF	70340054	100PF-10%-50VDC-T/C-T&R
1	.047A400	.047A400	70320105	.047MFD 450 VOLT T&R CAP
1	22A25	22A25	70320012	22MFD +/-20% 25VDC EL AXL
1	.0068	.0068	70340008	.0068MF-10%-50VDC-MON-T&R
2	.047P80	.047P80	70340016	.047MFD+80-20%-50VDC-MON-T&R
2	100PF	100PF	70340054	100PF-10%-50VDC-T/C-T&R
1	2.2A35	2.2A35	70320200	2.2MFD 35VDC LX CAP T&R
1	.068	.068	70340018	.068MF-10%-50VDC-MON-T&R
1	22A25	22A25	70320012	22MFD +/-20% 25VDC EL AXL
1	100A35	100A35	70320038	100MFD 35VDC LYTIC CAP
2	.022R400	.022R400	70320106	.022 MFD 400V RADIAL MFLAR
4	.047A400	.047A400	70320105	.047MFD 450 VOLT T&R CAP
1	.01CD	.01CD	70320248	.01MF-20%-100VDC-CD-T&A
2	330V350	330V350	70320169	330 MFD 350 VDC VERT. SNAP-IN
2	100V350	100V350	70320130	100 MFD 350VDC RADIAL SNAP-IN
1	47A500	47A500	70320005	47MF 500VDC ELECTROLYTIC -AXIAL
2	22A450	22A450	70320020	22 MFD 450VDC LYTIC CAP
1	.01CD	.01CD	70320248	.01MF-20%-100VDC-CD-T&A
1	4700R35	4700R35	70350200	4700 MFD 35VDC RADIAL SNAP-IN
1	2200V35	2200V35	70320113	2200 MFD 35VDC RADIAL LYTIC
2	22A25	22A25	70320012	22MFD +/-20% 25VDC EL AXL
3	220A100	220A-00	70320017	220 MFD 100VDC LYTIC CAP
1	.001R630	.001R630	70320160	.001MFD 630VDC B-BOX
1	22A25	22A25	70320012	22MFD +/-20% 25VDC EL AXL
1	470PF	470PF	70340058	470PF-10%-50VDC-T/C-T&R
1	.001R630	.001R630	70320160	.001MFD 630VDC B-BOX
1	.22M	.22M	70330128	.22M 5% 50Vdc RVY T&A
3	.1P10	.1P10	70340101	.1MF-10%-50VDC-MON-T&R
1	.015	.015	70340010	.015MF-10%-50VDC-T/C-T&R

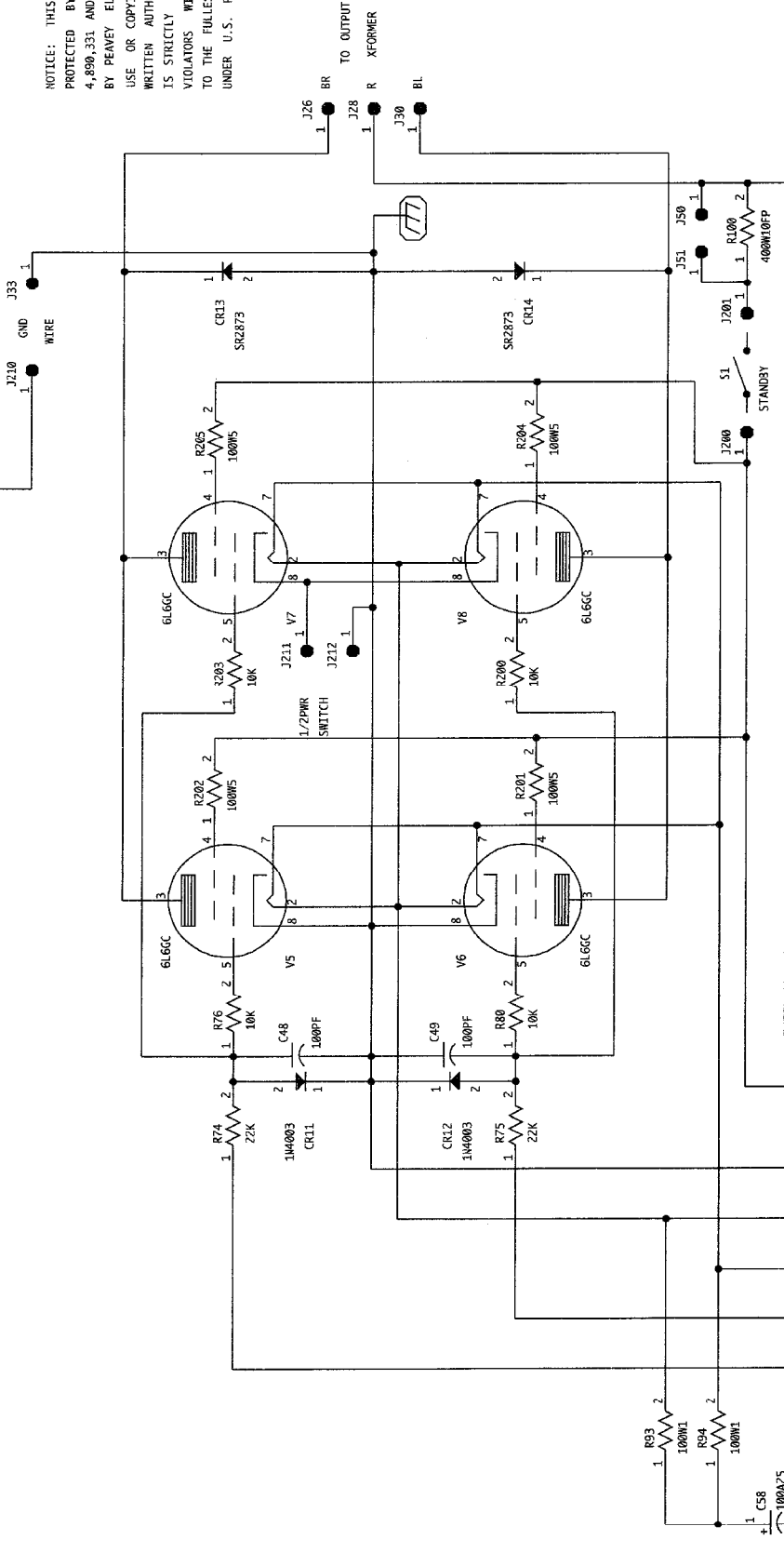
1	4700R35	4700R35	70350200	4700 MFD 35VDC RADIAL SNAP-IN
1	.022	.022	70346012	.022MF-10%-50VDC-MON-T&R
10	1M4148	4148	70464148	1M4148 75V 10MA SILICON DIODE
4	1M4007	1M4007	70464007	1M4007 1KV, 1A, SILICON DIODE
1	RALEDGN2	RALEDGN2	70450578	CR15, CR16, CR17, CR18
1	RALEDRD2	RALEDRD2	70450577	SE-8721-D-CN-25MM LDS REC - RIGHT ANGLE
6	1M4003	1M4003	70464003	1M4003 200V SILICON DIODE
1	30050	30050	70430050	SZP30050 16V 1 WATT 5% ZENER DIODE T&R
2	1M4148	4148	70464148	1M4148 75V 10MA SILICON DIODE
1	30050	30050	70430050	SZP30050 16V 1 WATT 5% ZENER DIODE T&R
2	1M4148	4148	70464148	1M4148 75V 10MA SILICON DIODE
1	MAC37	MAC37	70460097	MAC97-6 400V .6A TO-92 TRIAC T&A
2	1M4148	4148	70464148	1M4148 75V 10MA SILICON DIODE
1	10AFB	10AFB	7090037C	10 AMP F/B FUSE WITH 2 FUSECLIPS #709000816
1	2AFB	2AFB	70900133	AGC 2 AMP FUSE
2	1AFB	1AFB	70900085	AGC 1 AMP FUSE WITH 2 Fuseclips #709000816
2	RAMN6164	71466164	71466164	JK R/A 12.5MM NIN MOHO -88
1	DIN7RA	71466226	71466226	CONN 7P R/A PCMT DFN W/ 4 MNT. HOLES
3	RAMN6164	71466164	71466164	JK R/A 12.5MM NIN MOHO -88
2	SPX1D	SPX1D	73717003	1 STAKE PIN
4	MMPD	73711812	73711812	R93-12 PN C.B. MALE MOLEX PIN
9	MMPU	73711812	73711812	R93-12 PN C.B. MALE MOLEX PIN
2	FMPU	73711811	73711811	M118-171 C.B. FEMALE MOLEX PIN
1	MMPU	73711812	73711812	R93-12 PN C.B. MALE MOLEX PIN
1	FMPU	73711811	73711811	M118-171 C.B. FEMALE MOLEX PIN
20	SPX1D	SPX1D	73717003	1 STAKE PIN
28	SPX1U	SPX1U	73717003	1 STAKE PIN
5	SPX1D	SPX1D	73717003	1 STAKE PIN
27	SPX1U	SPX1U	73717003	1 STAKE PIN
5	12VRELAY	71322277	71322277	DPDT OMRON RELAY 12VDC
4	125SOWD	70900788	70500788	SPACER, 1/8,R(#4),.187 SWAGE ALUM.
1	J231	J231	70460231	M10, M11, M12, M13
1	6530	6531	70466531	MPS-6531 TO92 NPN TRANS.
1	6533	6534	70466533	MPS-6533/34 TO-92 PNP TRANS T&A
1	2N3919	3919	70463919	SKA-3919 TO92 NPN TRANS T&A
1	J174	J174	70460174	J-174 30V TO-92 P-CHAN FET T&A
1	J111	J111	70460111	J-111 35V TO-92 NFET LOW T&A
1	J174	J174	70460174	J-174 30V TO-92 P-CHAN FET T&A
1	6530	6531	70466531	MPS-6531 TO92 NPN TRANS.
2	22K	22K	70240029	22K-1/4W-5%-CF-T&R
1	150K	150K	70240035	150K-1/4W-5%-CF-T&R

1	1.5K	1.5K	70240018	1.5K-1/4W-5%-CF-T&R
1	220K	220K	70240036	220K-1/4W-5%-CF-T&R
1	68K	68K	70240032	68K-1/4W-5%-CF-T&R
2	220K	220K	70240036	220K-1/4W-5%-CF-T&R
1	2.2M	2.2M	70240040	2.2M-1/4W-5%-CF-T&R
1	10K	10K	70240025	10K-1/4W-5%-CF-T&R
1	2.2M	2.2M	70240040	2.2M-1/4W-5%-CF-T&R
1	1M	1M	70240039	1M-1/4W-5%-CF-T&R
1	100K	100K	70240034	100K-1/4W-5%-CF-T&R
1	1.5K	1.5K	70240018	1.5K-1/4W-5%-CF-T&R
1	1M	1M	70240039	1M-1/4W-5%-CF-T&R
2	470K	470K	70240038	470K-1/4W-5%-CF-T&R
1	47K	47K	70240031	47K-1/4W-5%-CF-T&R
1	150K	150K	70240035	150K-1/4W-5%-CF-T&R
1	1.5K	1.5K	70240018	1.5K-1/4W-5%-CF-T&R
1	680K	680K	70240065	680K-1/4W-5%-CF-T&R
1	1M	1M	70240039	1M-1/4W-5%-CF-T&R
1	100K	100K	70240034	100K-1/4W-5%-CF-T&R
1	1.5K	1.5K	70240018	1.5K-1/4W-5%-CF-T&R
1	47K	47K	70240031	47K-1/4W-5%-CF-T&R
1	10K	10K	70240025	10K-1/4W-5%-CF-T&R
1	100K	100K	70240034	100K-1/4W-5%-CF-T&R
1	150K	150K	70240035	150K-1/4W-5%-CF-T&R
1	220K	220K	70240036	220K-1/4W-5%-CF-T&R
1	240K	240K	70241094	240K-1/4W-5%-CF-T&R
3	100K	100K	70240034	100K-1/4W-5%-CF-T&R
1	10K	10K	70240025	10K-1/4W-5%-CF-T&R
1	220K	220K	70240036	220K-1/4W-5%-CF-T&R
1	10	10	70240003	10-1/4W-5%-CF-T&R
1	4.7K	4.7K	70240023	4.7K-1/4W-5%-CF-T&R
1	10	10	70240003	10-1/4W-5%-CF-T&R
1	100K	100K	70240034	100K-1/4W-5%-CF-T&R
1	270	270	70240013	270-1/4W-5%-CF-T&R
1	22K	22K	70240029	22K-1/4W-5%-CF-T&R
1	10K	10K	70240025	10K-1/4W-5%-CF-T&R
1	2.2M	2.2M	70240040	2.2M-1/4W-5%-CF-T&R
1	10K	10K	70240025	10K-1/4W-5%-CF-T&R
1	4.7K	4.7K	70240023	4.7K-1/4W-5%-CF-T&R
1	10K	10K	70240025	10K-1/4W-5%-CF-T&R
1	100W1	100W1	70210003	100-1W-5%-MO-T&R
1	330W2R	330W2R	70250074	330-RSS2W-5%-MO-AXL
1	100	100	70240010	100-1/4W-5%-CF-T&R
1	1.52W1	1.52W1	70240007	1.52W-1/4W-5%-MO-T&R
1	100	100	70240010	100-1/4W-5%-CF-T&R





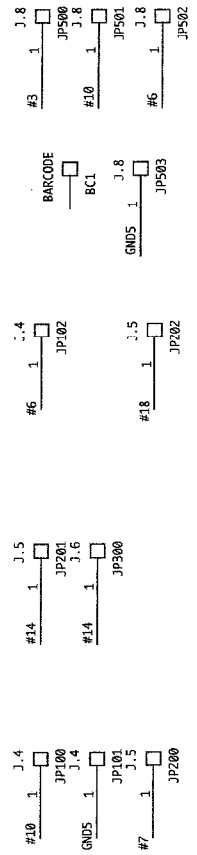
NOTICE: THIS CIRCUITRY IS PROTECTED BY U.S. PATENT NOS. 4,890,331 AND 5,197,102 OWNED BY PEAVEY ELECTRONICS CORP. USE OR COPYING WITHOUT EXPRESS WRITTEN AUTHORITY FROM PEAVEY IS STRICTLY FORBIDDEN AND VIOLATORS WILL BE PROSECUTED TO THE FULLEST EXTENT ALLOWED UNDER U.S. PATENT LAWS.

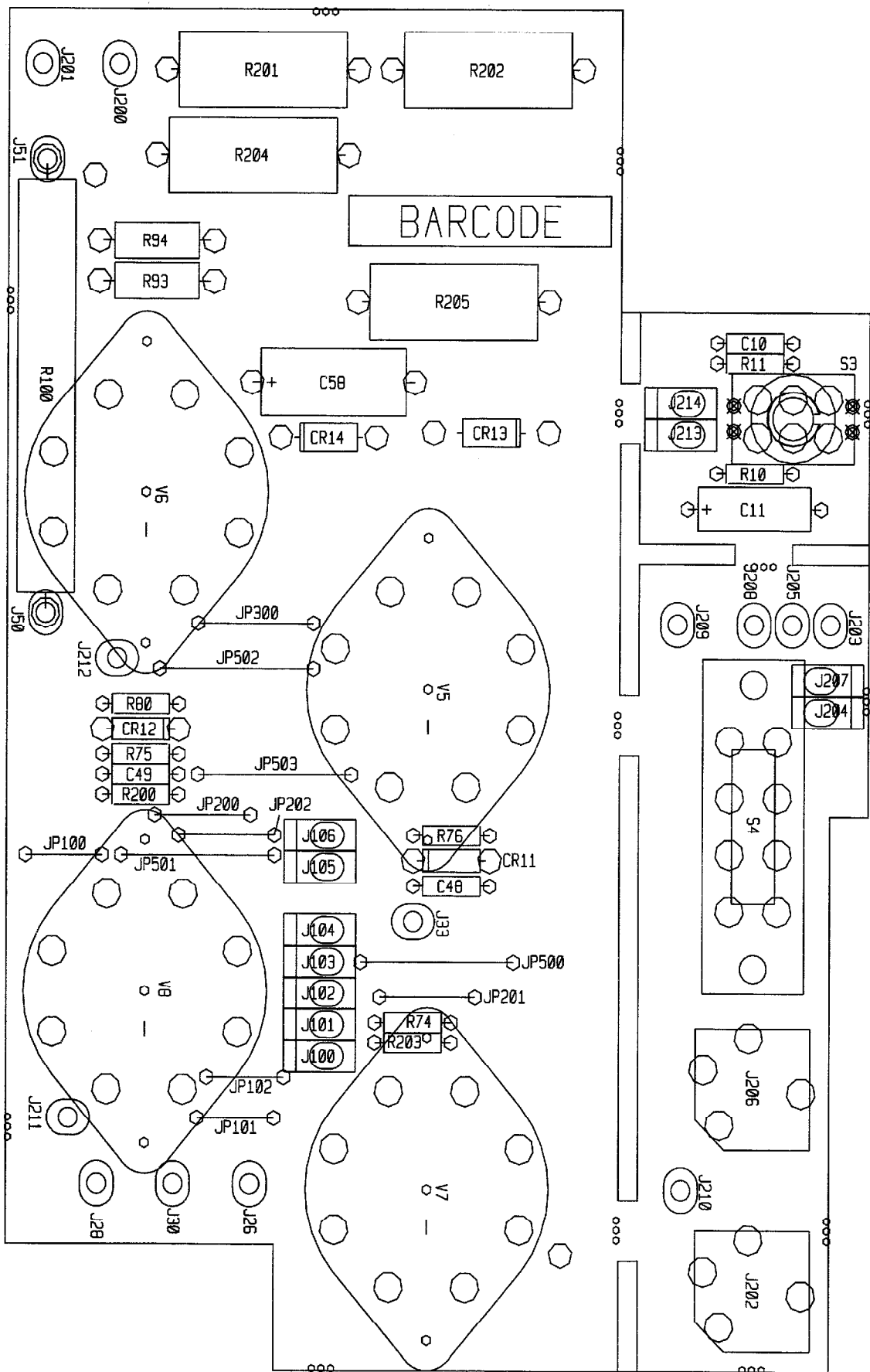


PEAVEY ELECTRONICS CORP.  
711 A STREET  
MERRIDIAN, MISSISSIPPI 39301

TITLE  
ULTRA PLUS 120W POWER BOARD

SIZE	CODE	NUMBER	99652420	REV
B		#81500859		
PRINT	DATE	12-DEC-95	SHEET	1 OF 1





ULTRA PLUS 120W PWR

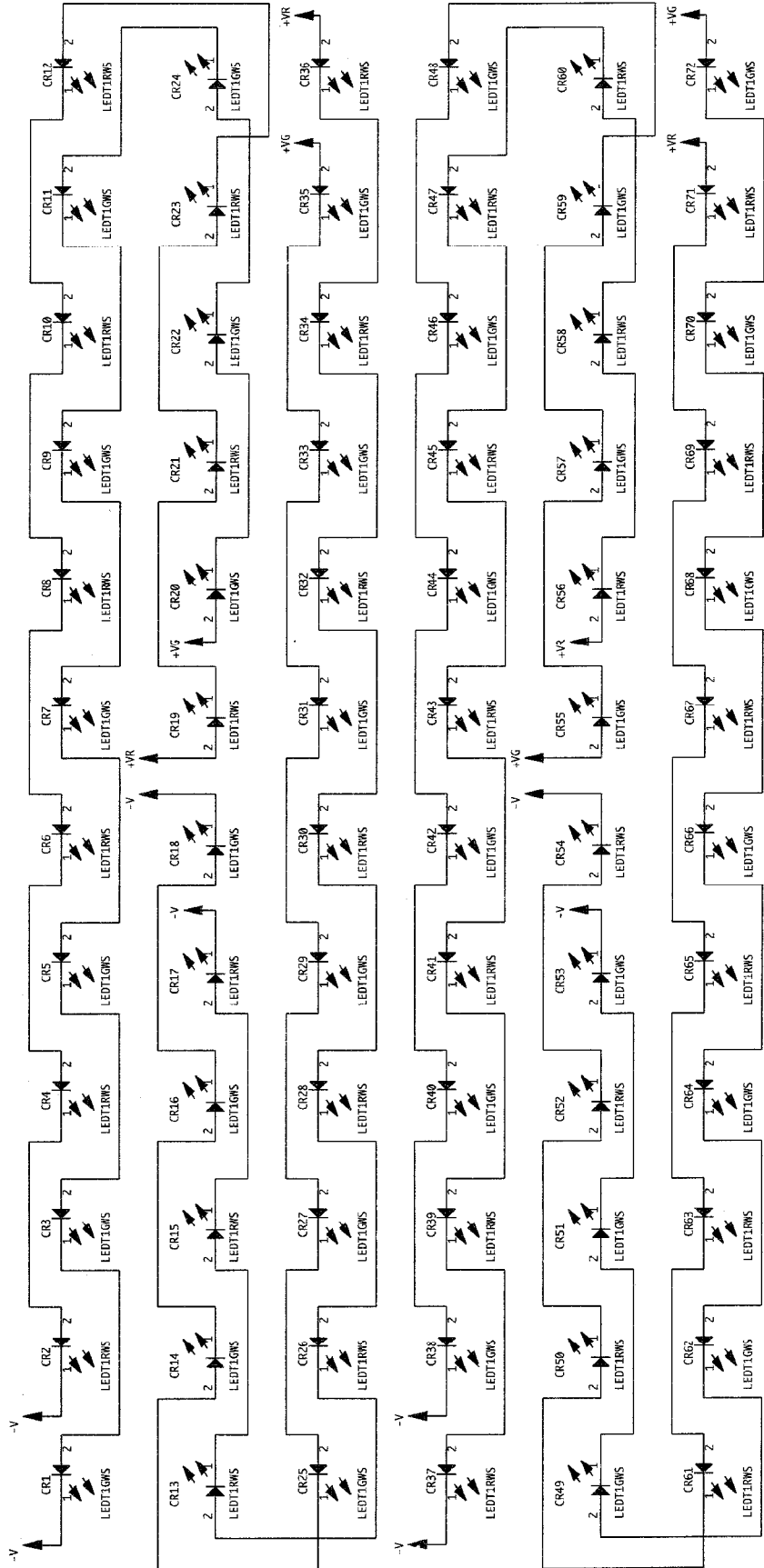


B I L L O F M A T E R I A L S R E P O R T

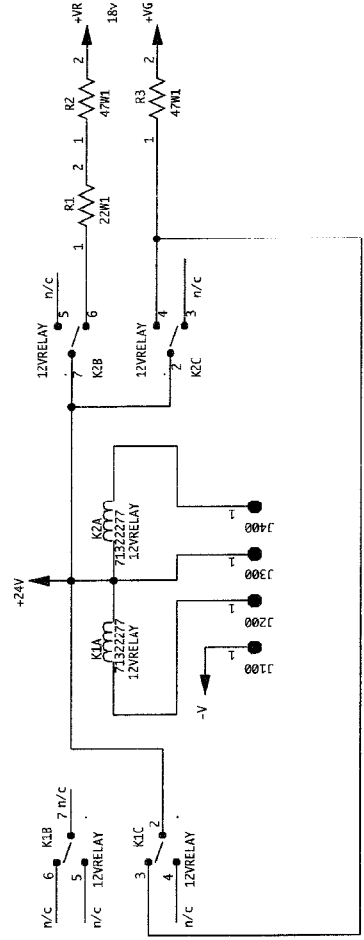
BOARD NAME: ULTRA 120PWR

PART	PART	DESCRIPTION AND		
* QTY.	NAME	VALUE	NUMBER	DEVICE DESIGNATIONS *****
1	.0047	.0047	70340007	.0047MF--10%--50VDC--MON--T&R C10
1	22A25	22A25	70320012	22MFD +/-20% 25VDC EL AXL C11
2	100PF	100PF	70340054	100PF--10%--50VDC--T/C--T&R C48, C49
1	100A25	100A25	70320014	100 MFD 25VDC LYTIC CAP C58
2	1N4003	1N4003	70464003	1N4003 200V SILICON DIODE CR11, CR12
2	SR2873	SR2873	70402873	SR2873 2KV, 250MA SILICON DIODE CR13, CR14
6	MMPD	73711812	73711812	R93-12 PN C.B. MALE MOLEX PIN J26, J28, J30, J33, J50, J51
7	SPX1D	SPX1D	73717003	1 STAKE PIN J100, J101, J102, J103, J104, J105, J106
2	MMPD	73711812	73711812	R93-12 PN C.B. MALE MOLEX PIN J200, J201
1	HIDMNI	71466214	71466214	2 TIP HID JACK NINS W/SPD J202
1	MMPD	73711812	73711812	R93-12 PN C.B. MALE MOLEX PIN J203
1	SPX1D	SPX1D	73717003	1 STAKE PIN J204
1	MMPD	73711812	73711812	R93-12 PN C.B. MALE MOLEX PIN J205
1	HIDMNI	71466214	71466214	2 TIP HID JACK NINS W/SPD J206
1	SPX1D	SPX1D	73717003	1 STAKE PIN J207
5	MMPD	73711812	73711812	R93-12 PN C.B. MALE MOLEX PIN J208, J209, J210, J211, J212
2	SPX1D	SPX1D	73717003	1 STAKE PIN J213, J214
1	82K	82K	70240033	82K-1/4W-5%--CF T&R R10
1	330K	330K	70240037	330K-1/4W-5%--CF-T&R R11
2	22K	22K	70240029	22K-1/4W-5%--CF-T&R R74, R75
2	10K	10K	70240025	10K-1/4W-5%--CF-T&R R76, R80
2	100W1	100W1	70210003	100-1W--5%--MO-T&R R93, R94
1	400W10FP	400W10FP	70250019	400-10W-10%--FP-AXL R100
1	10K	10K	70240025	10K-1/4W-5%--CF-T&R R200
2	100W5	100W5	70250006	100-5W-10%--WW-AXL R201, R202
1	10K	10K	70240025	10K-1/4W-5%--CF-T&R R203
2	100W5	100W5	70250006	100-5W-10%--WW-AXL R204, R205
1	SW2368	71322368	71322368	SPTT TOGGLE SWITCH S3
1	SW2328	SW2328	71322328	2PTT PC MOUNT SLIDE SWITCH S4
4	6L6GC	6L6GC	70806604	6L6GC VACUUM TUBE W/8 PIN SOCKET V5, V6, V7, V8

\*\*\*\*\*



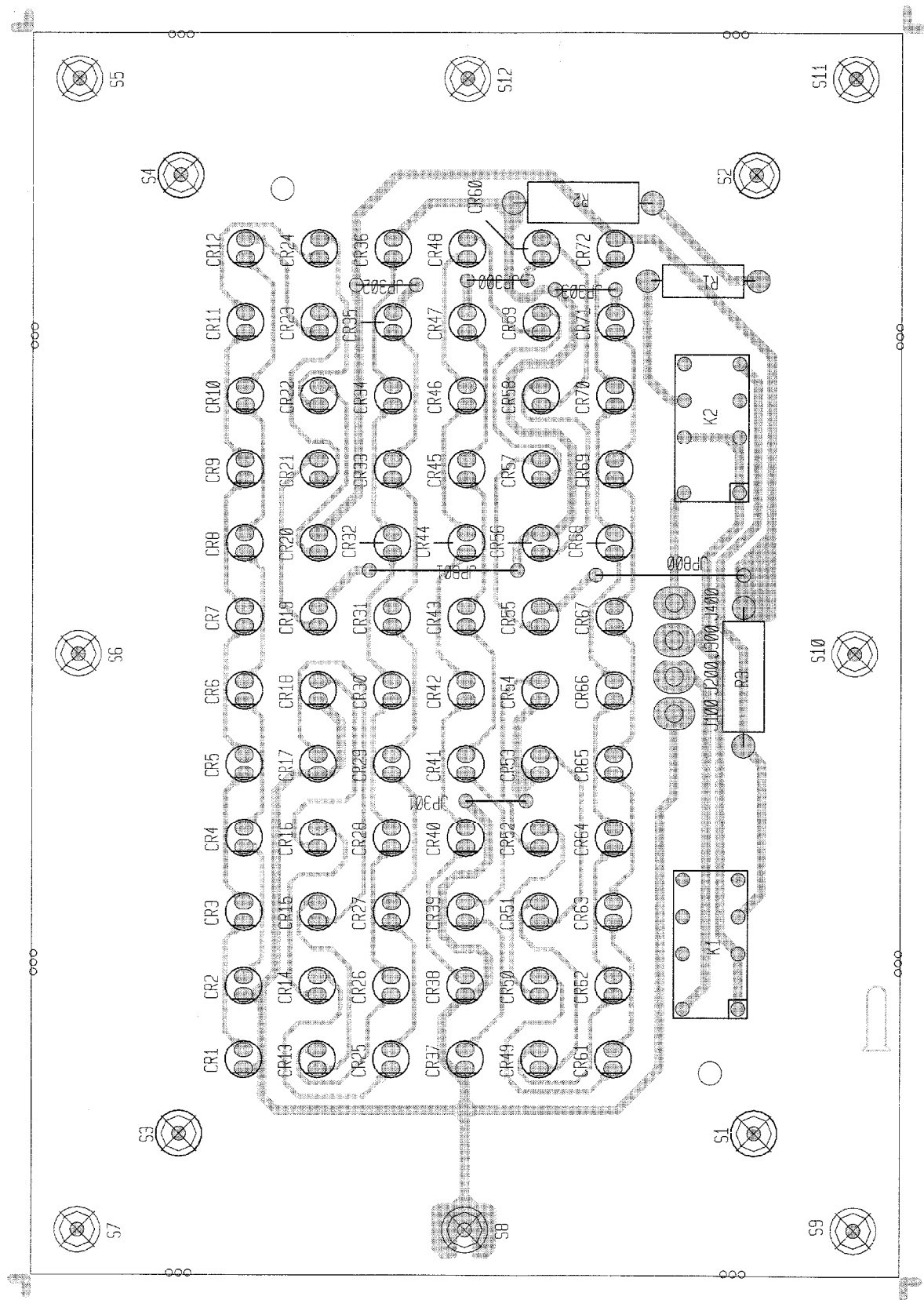
NOTICE: THIS CIRCUITRY IS PROTECTED BY U.S. PATENT NOS. 4,890,331 AND 5,197,102 OWNED BY PEAVEY ELECTRONICS CORP. USE OR COPYING WITHOUT EXPRESS WRITTEN AUTHORITY FROM PEAVEY IS STRICTLY FORBIDDEN AND VIOLATORS WILL BE PROSECUTED TO THE FULLEST EXTENT ALLOWED UNDER U.S. PATENT LAWS.



PEAVEY ELECTRONICS CORP.  
711 A STREET  
MERTIDIAN, MISSISSIPPI 39901

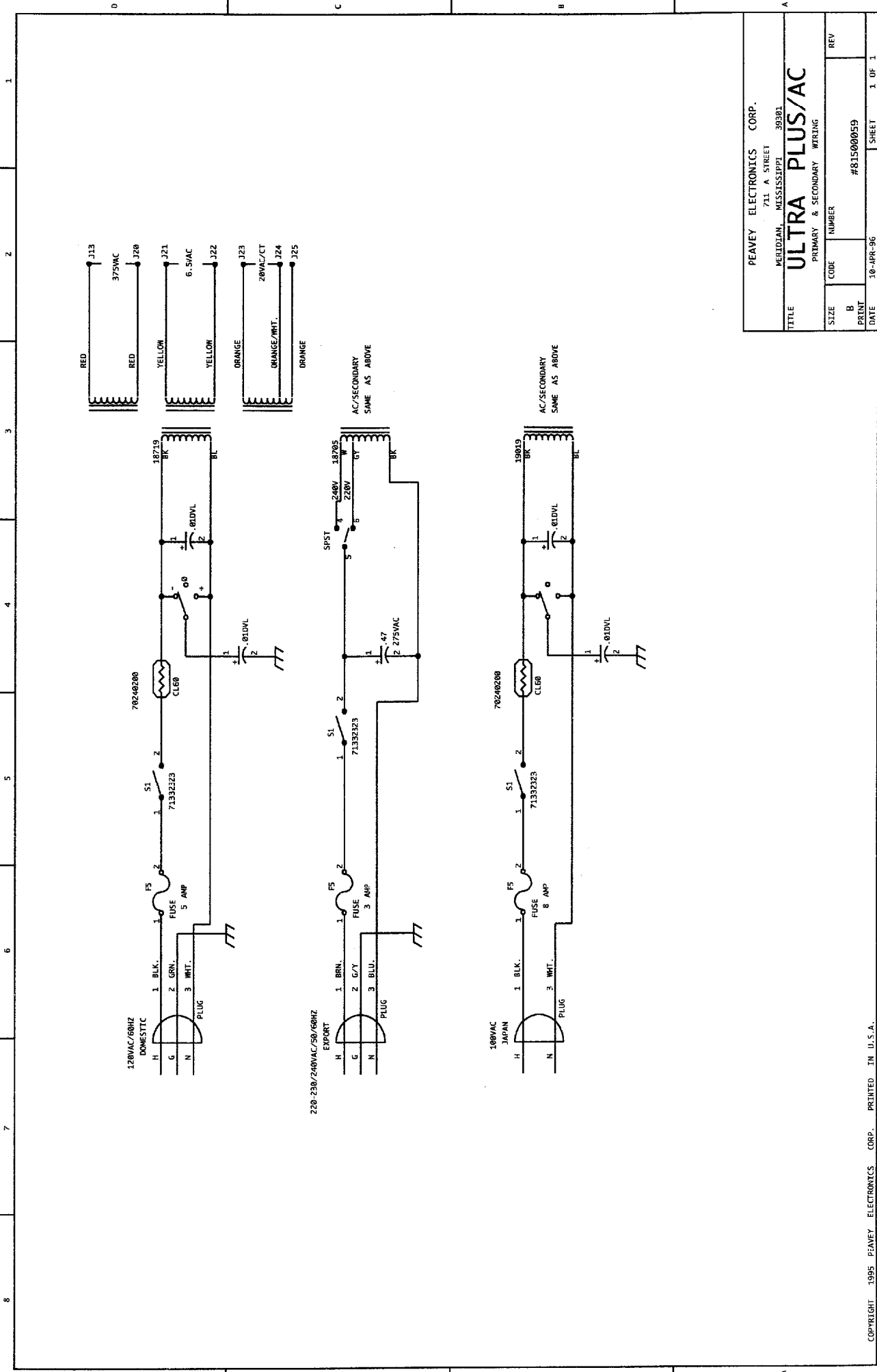
# ULTRA PLUS LED

TITLE	SIZE	CODE	NUMBER	REV
	B		#81500059	
DATE	PRINT	DATE	SHEET	1 OF 1
10-APR-96			2	1



Ultra Plus L.E.D.

BOARD NAME	ULTRA PLUS LED	PART	VALUE	NUMBER	DESCRIPTION AND DEVICE DESIGNATIONS	LEDTIRWS	LEDTIGWS	LEDTIRWS	LEDTIGWS	LEDTIRWS	LEDTIGWS
*** QTY. NAME *****					LED,TL, GREEN W/ 0.170" SPCR						
1	LEDTIRWS	LEDTIGWS	70450043	1	LED,TL, GREEN W/ 0.170" SPCR	LEDTIRWS	LEDTIGWS	70450043	1	LED,TL, GREEN W/ 0.170" SPCR	
1	LEDTIRWS	LEDTIGWS	70450042	1	LED (LTL-16G-E) TI RED W/ 0.170" SPACER T&A	LEDTIRWS	LEDTIGWS	70450042	1	LED (LTL-16G-E) TI RED W/ 0.170" SPACER T&A	CR40
1	LEDTIRWS	LEDTIGWS	70450043	1	LED,TL, GREEN W/ 0.170" SPCR	LEDTIRWS	LEDTIGWS	70450043	1	LED,TL, GREEN W/ 0.170" SPCR	CR41
1	LEDTIRWS	LEDTIGWS	70450042	1	LED (LTL-16G-E) TI RED W/ 0.170" SPACER T&A	LEDTIRWS	LEDTIGWS	70450042	1	LED (LTL-16G-E) TI RED W/ 0.170" SPACER T&A	CR42
1	LEDTIRWS	LEDTIGWS	70450043	1	LED,TL, GREEN W/ 0.170" SPCR	LEDTIRWS	LEDTIGWS	70450043	1	LED,TL, GREEN W/ 0.170" SPCR	CR43
1	LEDTIRWS	LEDTIGWS	70450042	1	LED (LTL-16G-E) TI RED W/ 0.170" SPACER T&A	LEDTIRWS	LEDTIGWS	70450042	1	LED (LTL-16G-E) TI RED W/ 0.170" SPACER T&A	CR44
1	LEDTIRWS	LEDTIGWS	70450043	1	LED,TL, GREEN W/ 0.170" SPCR	LEDTIRWS	LEDTIGWS	70450043	1	LED,TL, GREEN W/ 0.170" SPCR	CR45
1	LEDTIRWS	LEDTIGWS	70450042	1	LED (LTL-16G-E) TI RED W/ 0.170" SPACER T&A	LEDTIRWS	LEDTIGWS	70450042	1	LED (LTL-16G-E) TI RED W/ 0.170" SPACER T&A	CR46
1	LEDTIRWS	LEDTIGWS	70450043	1	LED,TL, GREEN W/ 0.170" SPCR	LEDTIRWS	LEDTIGWS	70450043	1	LED,TL, GREEN W/ 0.170" SPCR	CR47
2	LEDTIRWS	LEDTIGWS	70450043	2	LED,TL, GREEN W/ 0.170" SPCR	LEDTIRWS	LEDTIGWS	70450043	2	LED,TL, GREEN W/ 0.170" SPCR	CR48, CR45
1	LEDTIRWS	LEDTIGWS	70450042	1	LED (LTL-16G-E) TI RED W/ 0.170" SPACER T&A	LEDTIRWS	LEDTIGWS	70450042	1	LED (LTL-16G-E) TI RED W/ 0.170" SPACER T&A	CR49
1	LEDTIRWS	LEDTIGWS	70450043	1	LED,TL, GREEN W/ 0.170" SPCR	LEDTIRWS	LEDTIGWS	70450043	1	LED,TL, GREEN W/ 0.170" SPCR	CR50
1	LEDTIRWS	LEDTIGWS	70450042	1	LED (LTL-16G-E) TI RED W/ 0.170" SPACER T&A	LEDTIRWS	LEDTIGWS	70450042	1	LED (LTL-16G-E) TI RED W/ 0.170" SPACER T&A	CR51
1	LEDTIRWS	LEDTIGWS	70450043	1	LED,TL, GREEN W/ 0.170" SPCR	LEDTIRWS	LEDTIGWS	70450043	1	LED,TL, GREEN W/ 0.170" SPCR	CR52
1	LEDTIRWS	LEDTIGWS	70450042	1	LED (LTL-16G-E) TI RED W/ 0.170" SPACER T&A	LEDTIRWS	LEDTIGWS	70450042	1	LED (LTL-16G-E) TI RED W/ 0.170" SPACER T&A	CR53
2	LEDTIRWS	LEDTIGWS	70450042	2	LED (LTL-16G-E) TI RED W/ 0.170" SPACER T&A	LEDTIRWS	LEDTIGWS	70450042	2	LED (LTL-16G-E) TI RED W/ 0.170" SPACER T&A	CR54
1	LEDTIRWS	LEDTIGWS	70450043	1	LED,TL, GREEN W/ 0.170" SPCR	LEDTIRWS	LEDTIGWS	70450043	1	LED,TL, GREEN W/ 0.170" SPCR	CR55
1	LEDTIRWS	LEDTIGWS	70450042	1	LED (LTL-16G-E) TI RED W/ 0.170" SPACER T&A	LEDTIRWS	LEDTIGWS	70450042	1	LED (LTL-16G-E) TI RED W/ 0.170" SPACER T&A	CR56
1	LEDTIRWS	LEDTIGWS	70450043	1	LED,TL, GREEN W/ 0.170" SPCR	LEDTIRWS	LEDTIGWS	70450043	1	LED,TL, GREEN W/ 0.170" SPCR	CR57
1	LEDTIRWS	LEDTIGWS	70450042	1	LED (LTL-16G-E) TI RED W/ 0.170" SPACER T&A	LEDTIRWS	LEDTIGWS	70450042	1	LED (LTL-16G-E) TI RED W/ 0.170" SPACER T&A	CR58
1	LEDTIRWS	LEDTIGWS	70450043	1	LED,TL, GREEN W/ 0.170" SPCR	LEDTIRWS	LEDTIGWS	70450043	1	LED,TL, GREEN W/ 0.170" SPCR	CR59
1	LEDTIRWS	LEDTIGWS	70450042	1	LED (LTL-16G-E) TI RED W/ 0.170" SPACER T&A	LEDTIRWS	LEDTIGWS	70450042	1	LED (LTL-16G-E) TI RED W/ 0.170" SPACER T&A	CR60, CR61
1	LEDTIRWS	LEDTIGWS	70450043	1	LED,TL, GREEN W/ 0.170" SPCR	LEDTIRWS	LEDTIGWS	70450043	1	LED,TL, GREEN W/ 0.170" SPCR	CR62
1	LEDTIRWS	LEDTIGWS	70450042	1	LED (LTL-16G-E) TI RED W/ 0.170" SPACER T&A	LEDTIRWS	LEDTIGWS	70450042	1	LED (LTL-16G-E) TI RED W/ 0.170" SPACER T&A	CR63
1	LEDTIRWS	LEDTIGWS	70450043	1	LED,TL, GREEN W/ 0.170" SPCR	LEDTIRWS	LEDTIGWS	70450043	1	LED,TL, GREEN W/ 0.170" SPCR	CR64
2	LEDTIRWS	LEDTIGWS	70450042	2	LED (LTL-16G-E) TI RED W/ 0.170" SPACER T&A	LEDTIRWS	LEDTIGWS	70450042	2	LED (LTL-16G-E) TI RED W/ 0.170" SPACER T&A	CR65
1	LEDTIRWS	LEDTIGWS	70450043	1	LED,TL, GREEN W/ 0.170" SPCR	LEDTIRWS	LEDTIGWS	70450043	1	LED,TL, GREEN W/ 0.170" SPCR	CR66
1	LEDTIRWS	LEDTIGWS	70450042	1	LED (LTL-16G-E) TI RED W/ 0.170" SPACER T&A	LEDTIRWS	LEDTIGWS	70450042	1	LED (LTL-16G-E) TI RED W/ 0.170" SPACER T&A	CR67
1	LEDTIRWS	LEDTIGWS	70450043	1	LED,TL, GREEN W/ 0.170" SPCR	LEDTIRWS	LEDTIGWS	70450043	1	LED,TL, GREEN W/ 0.170" SPCR	CR68
1	LEDTIRWS	LEDTIGWS	70450042	1	LED (LTL-16G-E) TI RED W/ 0.170" SPACER T&A	LEDTIRWS	LEDTIGWS	70450042	1	LED (LTL-16G-E) TI RED W/ 0.170" SPACER T&A	CR69
1	LEDTIRWS	LEDTIGWS	70450043	1	LED,TL, GREEN W/ 0.170" SPCR	LEDTIRWS	LEDTIGWS	70450043	1	LED,TL, GREEN W/ 0.170" SPCR	CR70
1	LEDTIRWS	LEDTIGWS	70450042	1	LED (LTL-16G-E) TI RED W/ 0.170" SPACER T&A	LEDTIRWS	LEDTIGWS	70450042	1	LED (LTL-16G-E) TI RED W/ 0.170" SPACER T&A	CR71
1	LEDTIRWS	LEDTIGWS	70450043	1	LED,TL, GREEN W/ 0.170" SPCR	LEDTIRWS	LEDTIGWS	70450043	1	LED,TL, GREEN W/ 0.170" SPCR	CR72
4	MMPD		73711812	4	R93-12 PN C. B. MALE MOL-EX PIN						
2	12VRELAY		71322277	2	J100, J200, J300, J400						
1	22W1		22W1	1	DEPT OKRON RELAY 12VDC						
2	47W1		47W1	2	22-1W-5%-NO-T&R						
4	250SOWHU		70901851	4	47-1W-5%-NO-T&R						
8	250SOWHD		70901851	8	R2, R3						
					SPACER, 1/4, R(HW), .187 SWAGE ALUM.						
					S1, S2, S3, S4						
					SPACER, 1/4, R(HW), .187 SWAGE ALUM.						
					S5, S6, S7, S8, S9, S10, S11, S12						
					*****						



PEAVEY ELECTRONICS CORP.		711 A STREET	
MERIDIAN, MISSISSIPPI		39301	
<b>ULTRA PLUS/AC</b>			
PRIMARY & SECONDARY WIRING			
SIZE	CODE	NUMBER	REV
B			
PRINT			
DATE	10-APR-96	#81500059	
		SHEET	1 OF 1