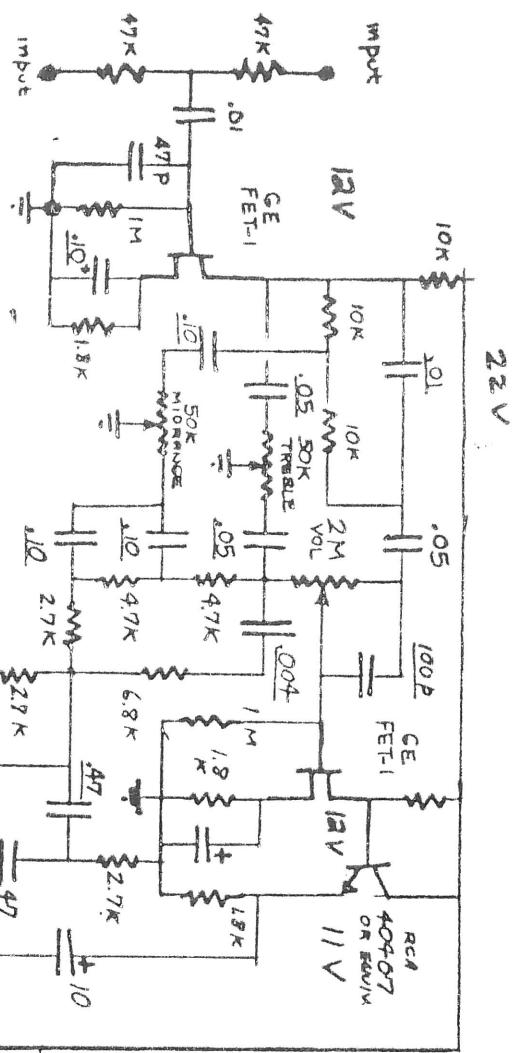


QUILTER SOUND CO. 455 AMP SCHEMATIC, GUITAR

JUNE 1, 1970



NOTES

1. ALL RESISTOR VALUES IN OHMS $\frac{1}{2}$ W UNLESS OTHERWISE NOTED
2. ALL CAPACITOR VALUES IN μ F UNLESS OTHERWISE NOTED.
3. UNDERLINED CAPACITOR VALUES IN PRE AMP MAY VARY FROM MODEL TO MODEL. CHANGING THESE VALUES AFFECTS FILTER CHARACTERISTICS OF TONE CONTROLS ONLY
4. CERTAIN NOMINAL VOLTAGES ARE INDICATED. THESE SHOULD NOT CHANGE MORE THAN 20%

