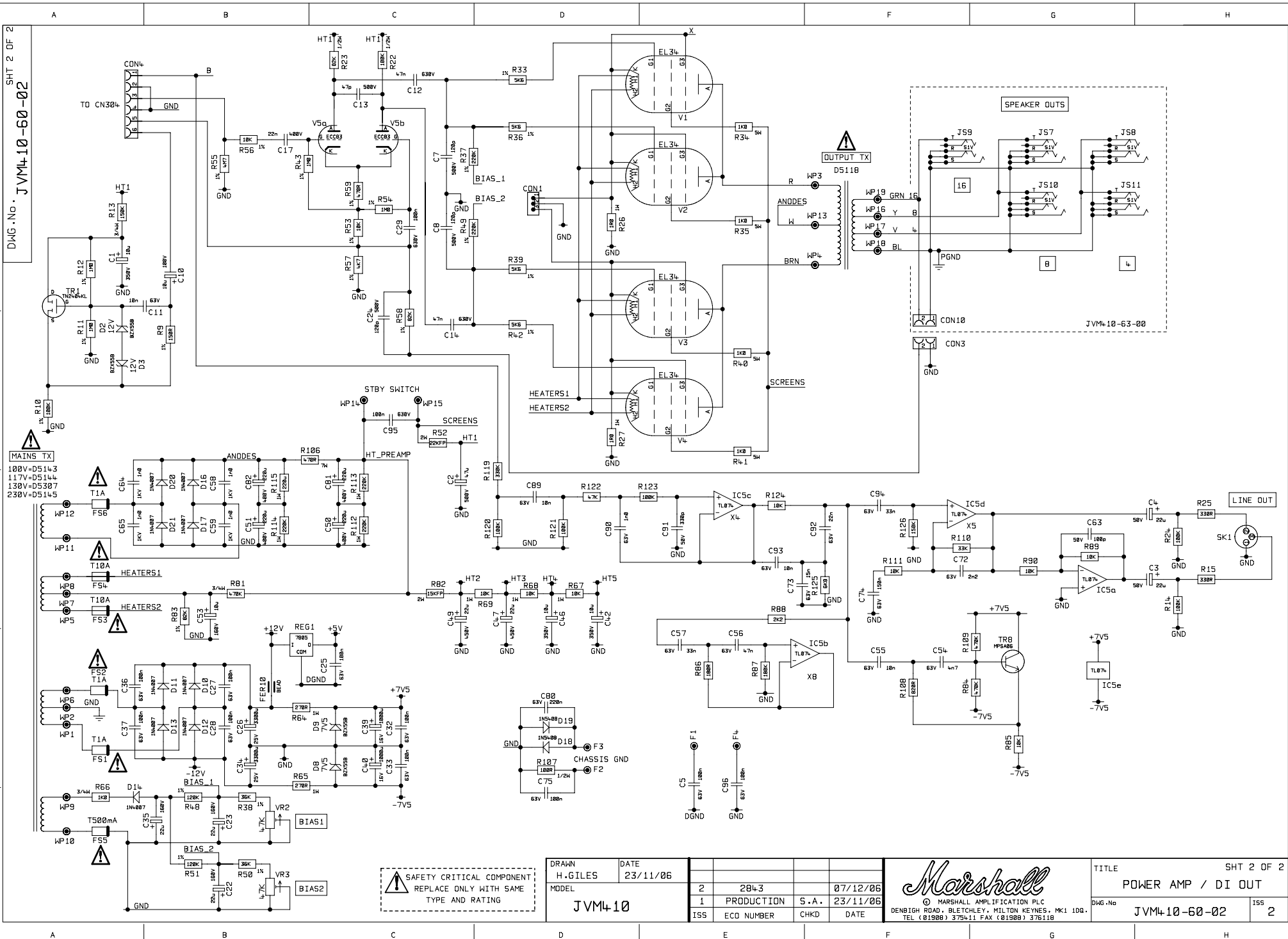


DRAWN H.GILES	DATE 23/11/06		
MODEL JVM4-10		ISS 2	ECO NUMBER 284.3
		CHKD S.A.	DATE 07/12/06
			23/11/06

Marshall
 © MARSHALL AMPLIFICATION PLC
 DENBIGH ROAD, BLETCHLEY, MILTON KEYNES, MK1 1DG.
 TEL (01908) 379411 FAX (01908) 376118

TITLE PRE AMP	SHT 1 OF 2
DIAG. No JVM4-10-60-02	ISS 2



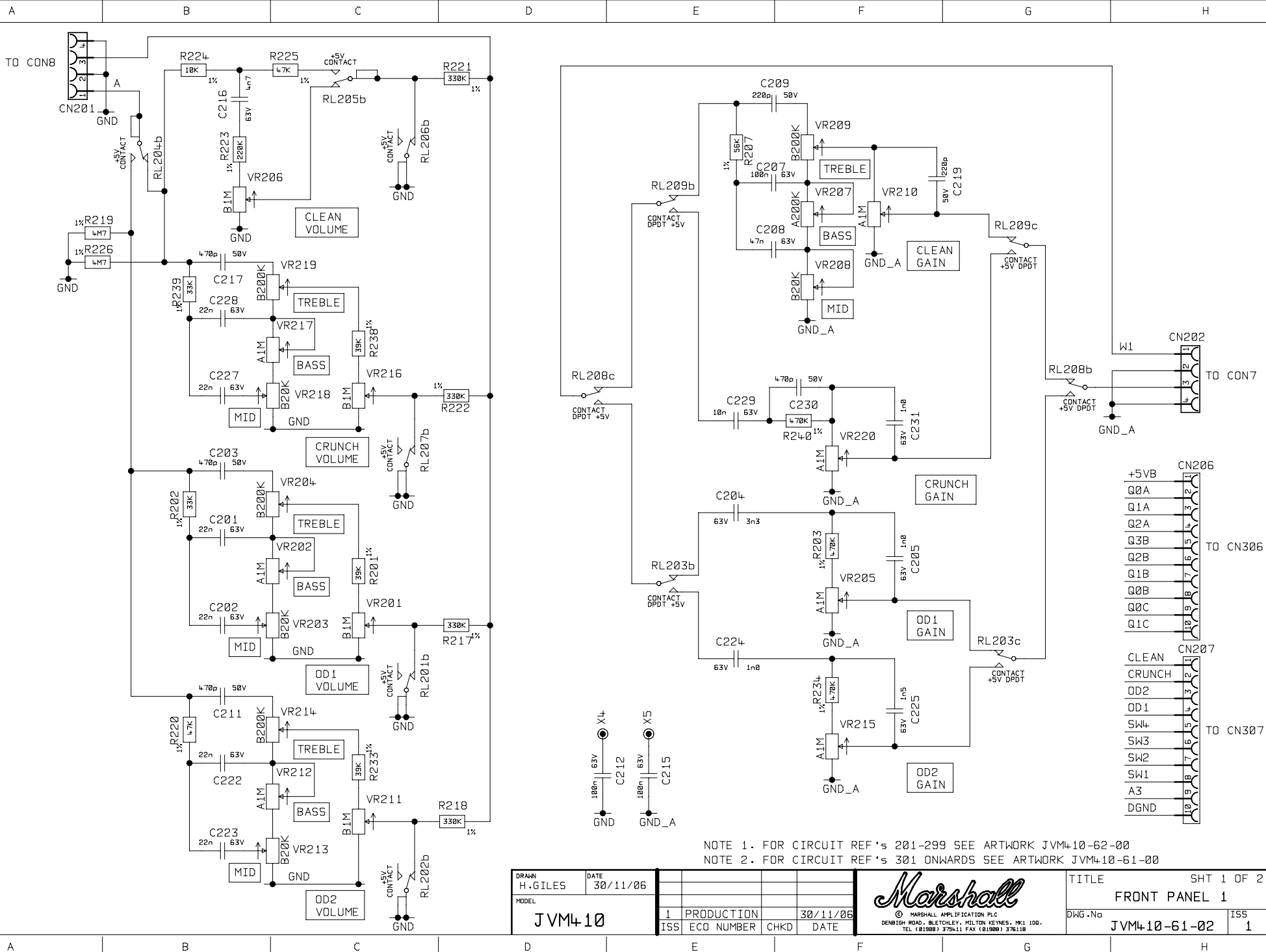
SAFETY CRITICAL COMPONENT
 REPLACE ONLY WITH SAME
 TYPE AND RATING

DRAWN	H.GILES	DATE	23/11/06
MODEL	JVM4 10	ISS	2
ISS	1	ECO NUMBER	2843
ISS	1	CHKD	07/12/06
ISS	1	DATE	23/11/06

Marshall
 MARSHALL AMPLIFICATION PLC
 DENBIGH ROAD, BLETCHLEY, MILTON KEYNES, MK1 10G.
 TEL (01908) 375411 FAX (01908) 376118

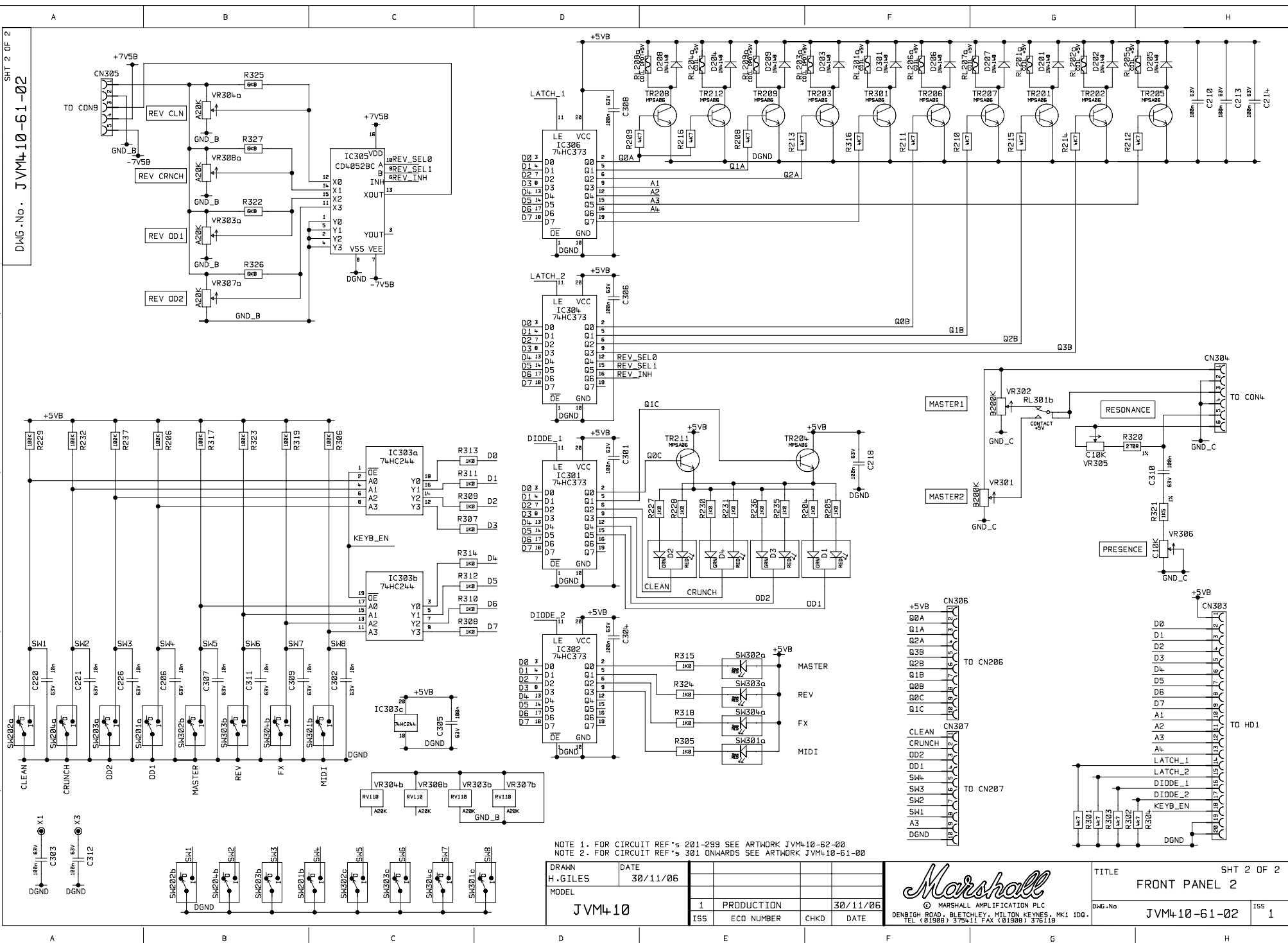
TITLE	POWER AMP / DI OUT	SHT 2 OF 2
DIAG. No	JVM4-10-60-02	ISS
ISS	2	

SHT 1 OF 2
DWG.No. JVM410-61-02



NOTE 1. FOR CIRCUIT REF'S 201-299 SEE ARTWORK JVM410-62-00
NOTE 2. FOR CIRCUIT REF'S 301 ONWARDS SEE ARTWORK JVM410-61-00

DRAWN H.GILES	DATE 30/11/06					 MARSHALL AMPLIFICATION PLC DENBIGH ROAD, BLETCHLEY, MILTON KEYNES, MK1 1DQ. TEL (01908) 375411 FAX (01908) 376118	TITLE	SHT 1 OF 2
		MODEL	ISS	1	PRODUCTION		30/11/06	FRONT PANEL 1
JVM410		ISS	ECO NUMBER	CHKD	DATE		DWG.No	JVM410-61-02
							ISS	1



NOTE 1. FOR CIRCUIT REF'S 201-299 SEE ARTWORK JVM4-10-62-00
 NOTE 2. FOR CIRCUIT REF'S 301 ONWARDS SEE ARTWORK JVM4-10-61-00

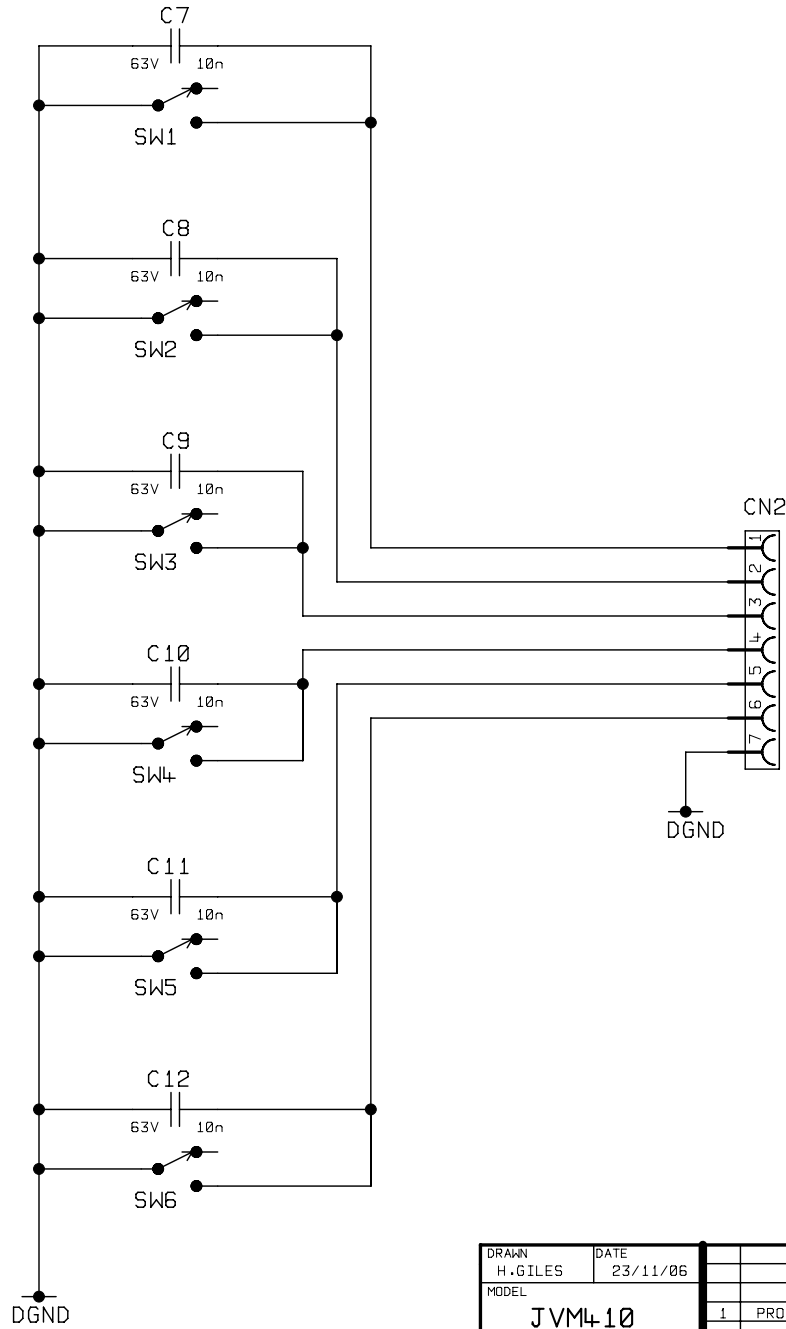
DRAWN H.GILES	DATE 30/11/06
JVM4-10	

1	PRODUCTION	30/11/06
ISS	ECD NUMBER	CHKD
	DATE	



TITLE FRONT PANEL 2	SHT 2 OF 2
DIAG.No JVM4-10-61-02	ISS 1

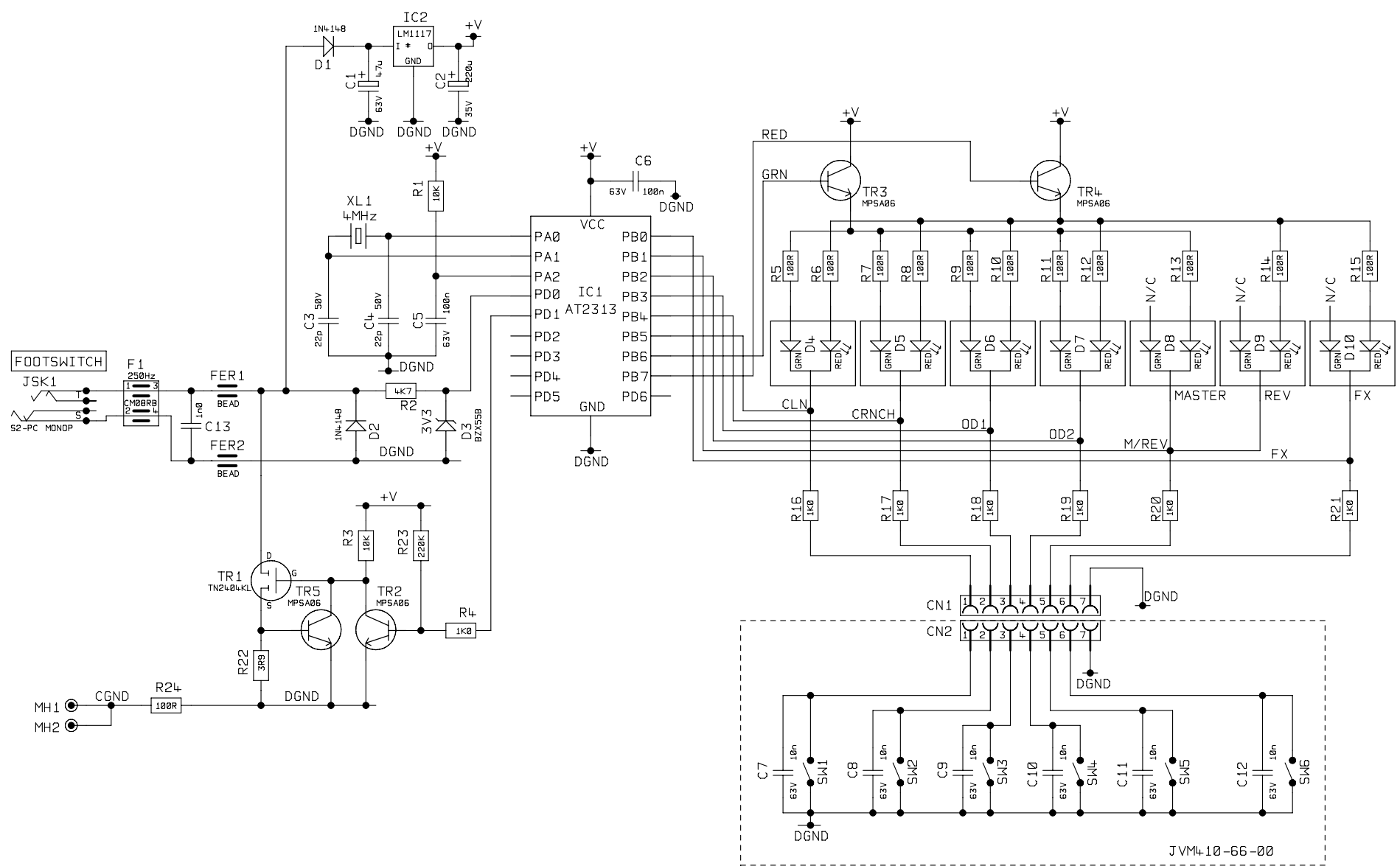
DWG. No. J VM4-10-66-02



DRAWN H. GILES		DATE 23/11/06								TITLE SWITCH x 6 PCB CIRCUIT DIAGRAM	
MODEL J VM4-10		1		PRODUCTION		23/11/06		MARSHALL AMPLIFICATION PLC DENBIGH ROAD BLETCHLEY MILTON KEYNES MK1 100 TEL (01908) 375411 FAX (01908) 376110		DWG. No JVM4-10-66-02	
		ISS		ECO NUMBER		CHKD		DATE		ISS 1	

Marshall

DWG.No. JVM4-10-67-02
 SHT 1 OF 1



JVM4-10-66-00

DRAWN H.GILES	DATE 23/11/06						TITLE SHT 1 OF 1 FOOTSWITCH
MODEL JVM4 10	2 2041 1 PRODUCTION S.A. ISS ECO NUMBER CHKD DATE	28/11/06 23/11/06			DWG.No JVM4-10-67-02		ISS 2

© MARSHALL AMPLIFICATION PLC
 DENBIGH ROAD, BLETCHLEY, MILTON KEYNES, MK1 1DB.
 TEL (01908) 375411 FAX (01908) 376118