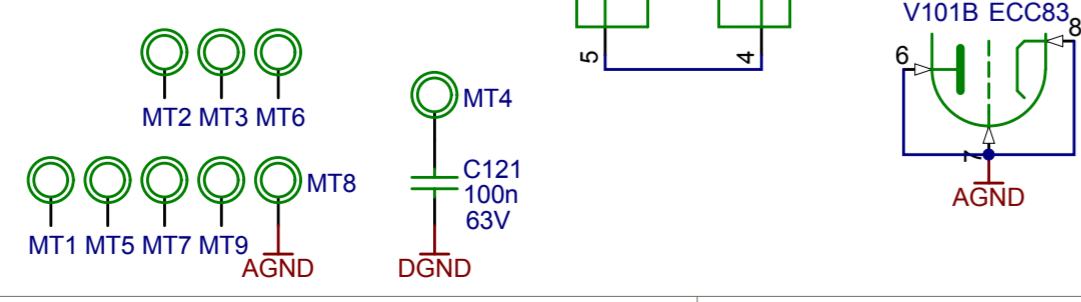


ISS	ECO NUMBER	DATE
2	3370	26/10/12



MATERIAL	MATERIAL THICKNESS
DRAWN SA	DATE 6.5.11
CHECKED	DATE
APPROVED	DATE

DIMENSIONS IN mm	TOLERANCE (UNLESS OTHERWISE STATED)
HOLE DIA = +/-	DIMENSIONAL = +/-
MODEL	JVM410HJS

Cannot open file C:\altium files\Templates\logo.JPG

© MARSHALL AMPLIFICATION PLC
DENBIGH ROAD, BLETCHLEY, MILTON KEYNES, MK11 0DQ.
TEL (01908) 375411 FAX (01908) 376118

File: JVM-JS MAIN-1-v02.SchDoc

TITLE	MAIN
DWG. No.	JVM410HJS-60-02
ISS	2
Sheet	1 of 1
Date:	26/10/2012