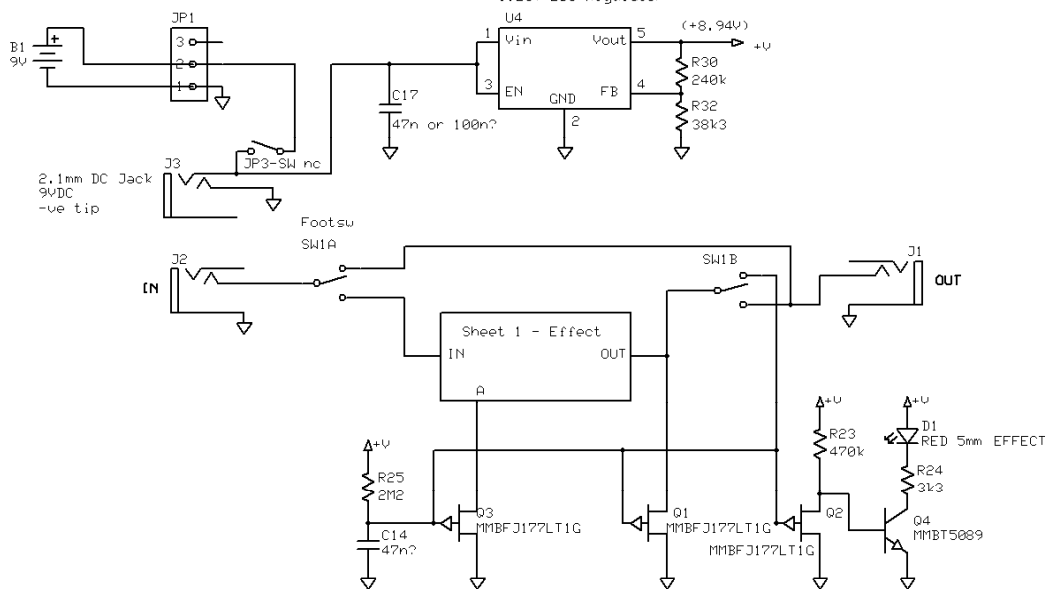


**U4 Connections Unverified**

Unknown. Maybe Richtek brand  
 Marking: IQ123  
 1.23V LDO Regulator



No parts D4 and D5 found

MXR		
Custom Badass '78 distortion		
G. Giblet	Rev 1.1 2019-08-12	Page 2 of 2