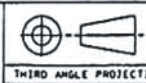


10 MAR 1993

UNSPECIFIED HOLE DATA				MATERIAL		DIMENSIONS IN		TITLE	
A			H	INTERNAL TOLERANCES	TOLERANCE DIMENSIONLESS UNLESS OTHERWISE STATED		<b>VOX</b>		AC30 TOP BOOST (SHT 1 OF 2)
B			J	INTERNAL BEAD RADII	DIMENSIONAL				
C			K	EXTERNAL DIA	CENTRES		DRAWN S.G. DATE 18-8-92		DWG.No AC30-60-02
D			L	BEAD DIA	ANGULAR				
E			M				MODEL AC30 REISSUE		ISS
F			N						
G			P				APPROVED DATE THE SPECIFICATION NO. NORMAL ISSUE NO. TEL. 061-427-5371 FAX 061-427-5395		155



DWG. No AC30-60-02

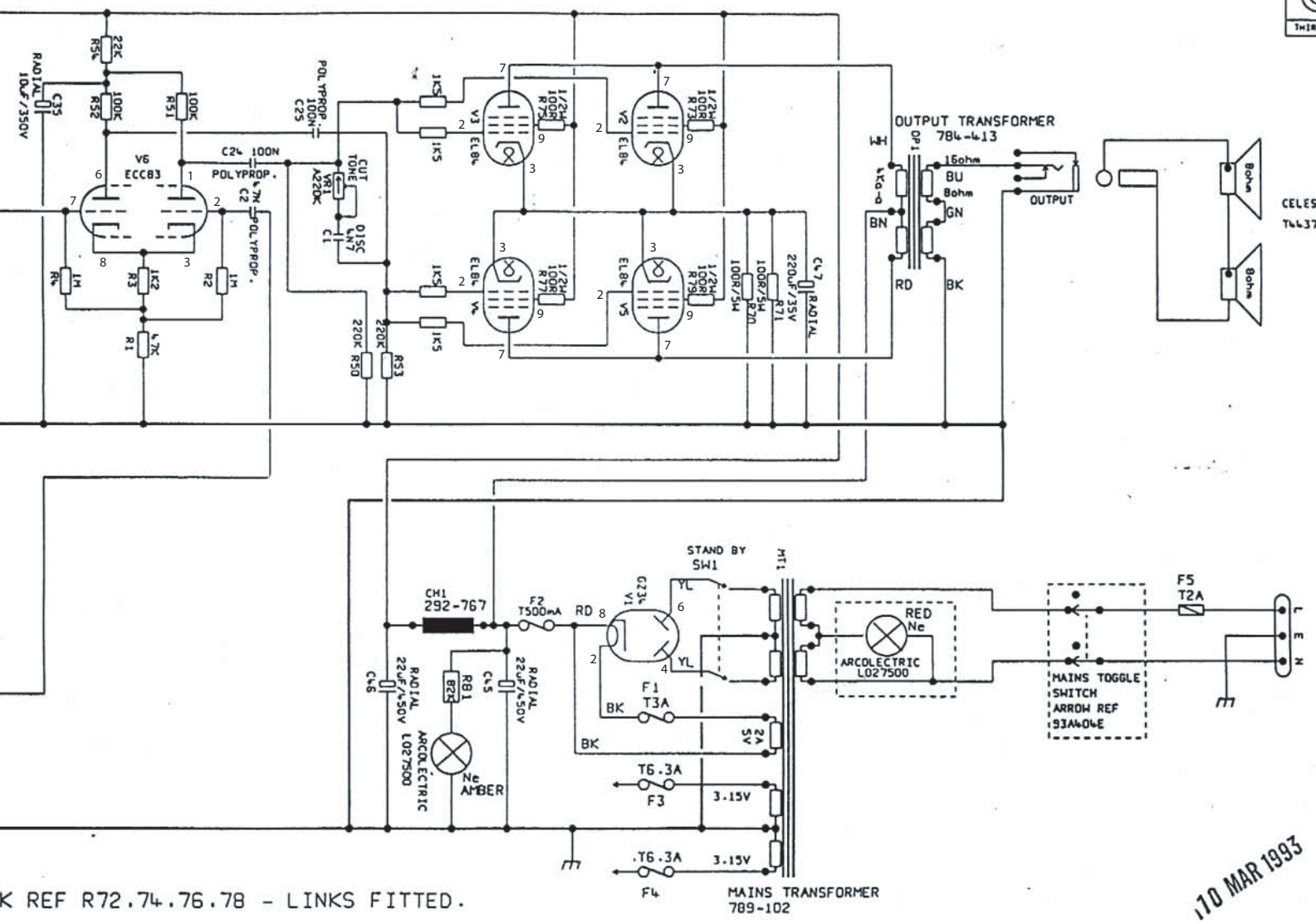
TO G6 A1  
PAGE 1

TO F6 A2  
PAGE 1

TO E6 A3  
PAGE 1

TO D6 A4  
PAGE 1

TO C6 A5  
PAGE 1



PCB SILK REF R72.74.76.78 - LINKS FITTED.

170 MAR 1993

UNSPECIFIED HOLE DATA		MATERIAL		DIMENSIONS IN		TITLE AC30 TOP BOOST (SHT 2 OF 2)
A	H	INTERNAL THICKNESS	TOLERANCE (UNLESS OTHERWISE STATED)	DIMENSIONAL	MODEL	
B <td>J <td>INTERNAL BEND RADIUS <td></td> <td>DIMENSIONAL <td></td> <td rowspan="5"> <p><b>VOX</b></p> <p><small>COPYRIGHT © 1982 BY VOX LTD. THIS DOCUMENT IS NOT TO BE USED FOR ANY PURPOSE OTHER THAN THAT FOR WHICH IT IS SUPPLIED AND MUST NOT BE REPRODUCED BY WHOLE OR IN PART WITHOUT WRITTEN PERMISSION FROM VOX LTD.</small></p> <p><small>VOX LTD. 100, WILKINSON LANE, WIDEN, HANTS, ENGLAND. TELEPHONE: 01256 343111. TELEFAX: 01256 343112.</small></p> </td> </td></td></td>	J <td>INTERNAL BEND RADIUS <td></td> <td>DIMENSIONAL <td></td> <td rowspan="5"> <p><b>VOX</b></p> <p><small>COPYRIGHT © 1982 BY VOX LTD. THIS DOCUMENT IS NOT TO BE USED FOR ANY PURPOSE OTHER THAN THAT FOR WHICH IT IS SUPPLIED AND MUST NOT BE REPRODUCED BY WHOLE OR IN PART WITHOUT WRITTEN PERMISSION FROM VOX LTD.</small></p> <p><small>VOX LTD. 100, WILKINSON LANE, WIDEN, HANTS, ENGLAND. TELEPHONE: 01256 343111. TELEFAX: 01256 343112.</small></p> </td> </td></td>	INTERNAL BEND RADIUS <td></td> <td>DIMENSIONAL <td></td> <td rowspan="5"> <p><b>VOX</b></p> <p><small>COPYRIGHT © 1982 BY VOX LTD. THIS DOCUMENT IS NOT TO BE USED FOR ANY PURPOSE OTHER THAN THAT FOR WHICH IT IS SUPPLIED AND MUST NOT BE REPRODUCED BY WHOLE OR IN PART WITHOUT WRITTEN PERMISSION FROM VOX LTD.</small></p> <p><small>VOX LTD. 100, WILKINSON LANE, WIDEN, HANTS, ENGLAND. TELEPHONE: 01256 343111. TELEFAX: 01256 343112.</small></p> </td> </td>		DIMENSIONAL <td></td> <td rowspan="5"> <p><b>VOX</b></p> <p><small>COPYRIGHT © 1982 BY VOX LTD. THIS DOCUMENT IS NOT TO BE USED FOR ANY PURPOSE OTHER THAN THAT FOR WHICH IT IS SUPPLIED AND MUST NOT BE REPRODUCED BY WHOLE OR IN PART WITHOUT WRITTEN PERMISSION FROM VOX LTD.</small></p> <p><small>VOX LTD. 100, WILKINSON LANE, WIDEN, HANTS, ENGLAND. TELEPHONE: 01256 343111. TELEFAX: 01256 343112.</small></p> </td>		<p><b>VOX</b></p> <p><small>COPYRIGHT © 1982 BY VOX LTD. THIS DOCUMENT IS NOT TO BE USED FOR ANY PURPOSE OTHER THAN THAT FOR WHICH IT IS SUPPLIED AND MUST NOT BE REPRODUCED BY WHOLE OR IN PART WITHOUT WRITTEN PERMISSION FROM VOX LTD.</small></p> <p><small>VOX LTD. 100, WILKINSON LANE, WIDEN, HANTS, ENGLAND. TELEPHONE: 01256 343111. TELEFAX: 01256 343112.</small></p>
C <td>K <td>EXTERNAL B/A <td></td> <td>CENTRES <td></td> </td></td></td>	K <td>EXTERNAL B/A <td></td> <td>CENTRES <td></td> </td></td>	EXTERNAL B/A <td></td> <td>CENTRES <td></td> </td>		CENTRES <td></td>		
D <td>L <td>BEND DIA <td></td> <td>ANGULAR <td></td> </td></td></td>	L <td>BEND DIA <td></td> <td>ANGULAR <td></td> </td></td>	BEND DIA <td></td> <td>ANGULAR <td></td> </td>		ANGULAR <td></td>		
E <td>M <td></td> <td></td> <td></td> <td></td> </td>	M <td></td> <td></td> <td></td> <td></td>					
F <td>N <td></td> <td></td> <td></td> <td></td> </td>	N <td></td> <td></td> <td></td> <td></td>					
2	0319	9/3/93	DATE	DATE	DATE	DWG. No AC30-60-02
						ISSUE 2

AC30 REISSUE