

GAIN A @ 10, SHAPE @ 5, A LEVEL @ 5,
 GAIN B, TONES @ 5, OCTAVE @ 0, & MASTER @ 10
 CHANNEL B CLEAN, 500Hz INPUT 80mV p-p
 120VAC

TEST POINT	WAVE SHAPE	A.C. p-p	D.C.	SPECIAL CONDITIONS
1	~	180mV	—	
2	~	180mV	—	
3	~	3.5V	—	CHANNEL A SELECTED
4	~	3V	—	CHANNEL A SELECTED
5	~	1.5V	—	CHANNEL A SELECTED
6	~	260mV	—	
7	~	800mV	—	
8	~	450Hz	27V +/-4V	
9	~	250Hz	18V	
10	~	450Hz	100mV	
11	—	—	.7V	
12	—	—	.7V 15V	CHANNEL A SELECTED CHANNEL B SELECTED
13	—	—	7.5V 0	CHANNEL A SELECTED CHANNEL B SELECTED
14	—	.4 RIPPLE	55V	
15	—	.4 RIPPLE	-55V	
16	—	—	17V	
17	—	—	-17V	

CAUTION:
 THIS SCHEMATIC IS PROVIDED FOR USE BY QUALIFIED PERSONNEL TO AVOID RISK OF ELECTRIC SHOCK, REFER SERVICING TO QUALIFIED SERVICE PERSONNEL. DO NOT PERFORM ANY SERVICING BEYOND THAT EXPLAINED IN THE OPERATING INSTRUCTIONS.

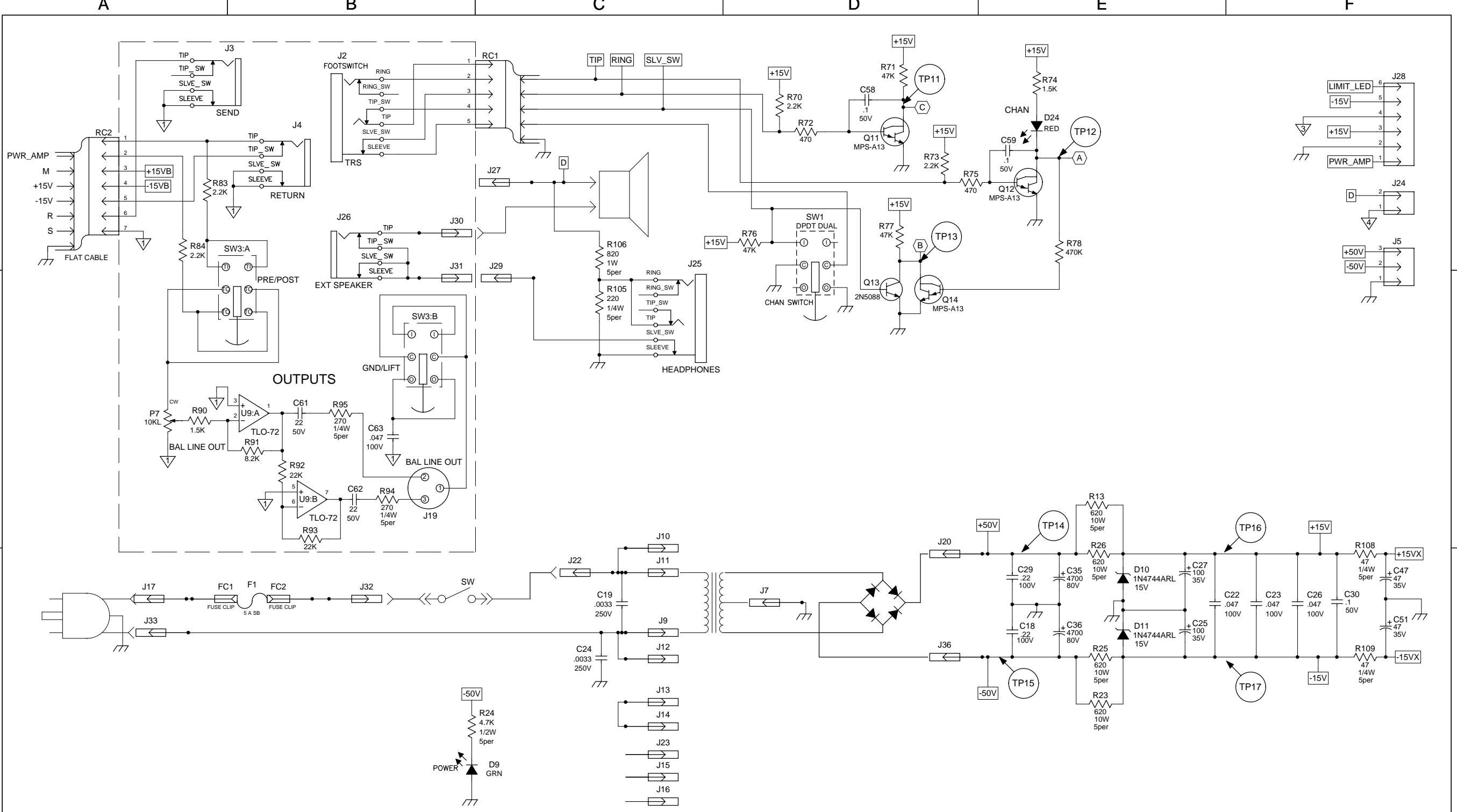
NOTES:
 1) CAUTION: SHOCK HAZARD!! THIS UNIT CONTAINS HAZARDOUS VOLTAGE. DISCONNECT POWER AND BE SURE POWER SUPPLY IS DISCHARGED BEFORE TOUCHING INTERNAL PARTS.
 2) UNLESS NOTED, RESISTOR VALUES IN OHMS, 1/4W-5% TOL. CAPACITOR VALUES IN MICROFARADS, 50V-10% TOL.
 3) VOLTAGES ARE MEASURED WITH 1 MEGOHM OSCILLOSCOPE AND 10 MEGOHM DIGITAL VOLTMETER.

Ref Des	Device(Type)	Package	+15V	C_GND	-15V	+15VX	-15VB	+15VB	-15VX
U1	3707201	8DIP_3	8		4				
U4	3707201	8DIP_3	8		4				
U5	3707201	8DIP_3	8		4				
U6	3707201	8DIP_3	8		4				
U7	3707201	8DIP_3	8		4				
U8	3707201	8DIP_3			8				4
U9	3707201	8DIP_3			4		8		
U12	3741301	14DIP_3	7		14				

REV	Date	DESCRIPTION	Ecr(s)/Ecn(s)	Chgd By	Appvd by	Date
1	5-11-04	CHANGED VALUES OF C61 & C62 CONTROL ISSUE	R01247	RLB		

THE INFORMATION CONTAINED ON THIS DRAWING IS PROPRIETARY TO ST. LOUIS MUSIC, INC.

Signatures:		Date:
Drawn: RLB		6-19-03
Checked:		1901 Congressional, St. Louis, MO 63146
Released:		First Used On:
Plot Date: Mon May 17, 2004	Drawing Size: C	Drawing Title: PWA - BASS AMPLIFIER
Plot Time: 10:06:41	Drawing Type: Schematic	Drawing Number: 07S646
Tolerance:	Class Code: NONE	Sheet 1 of 2

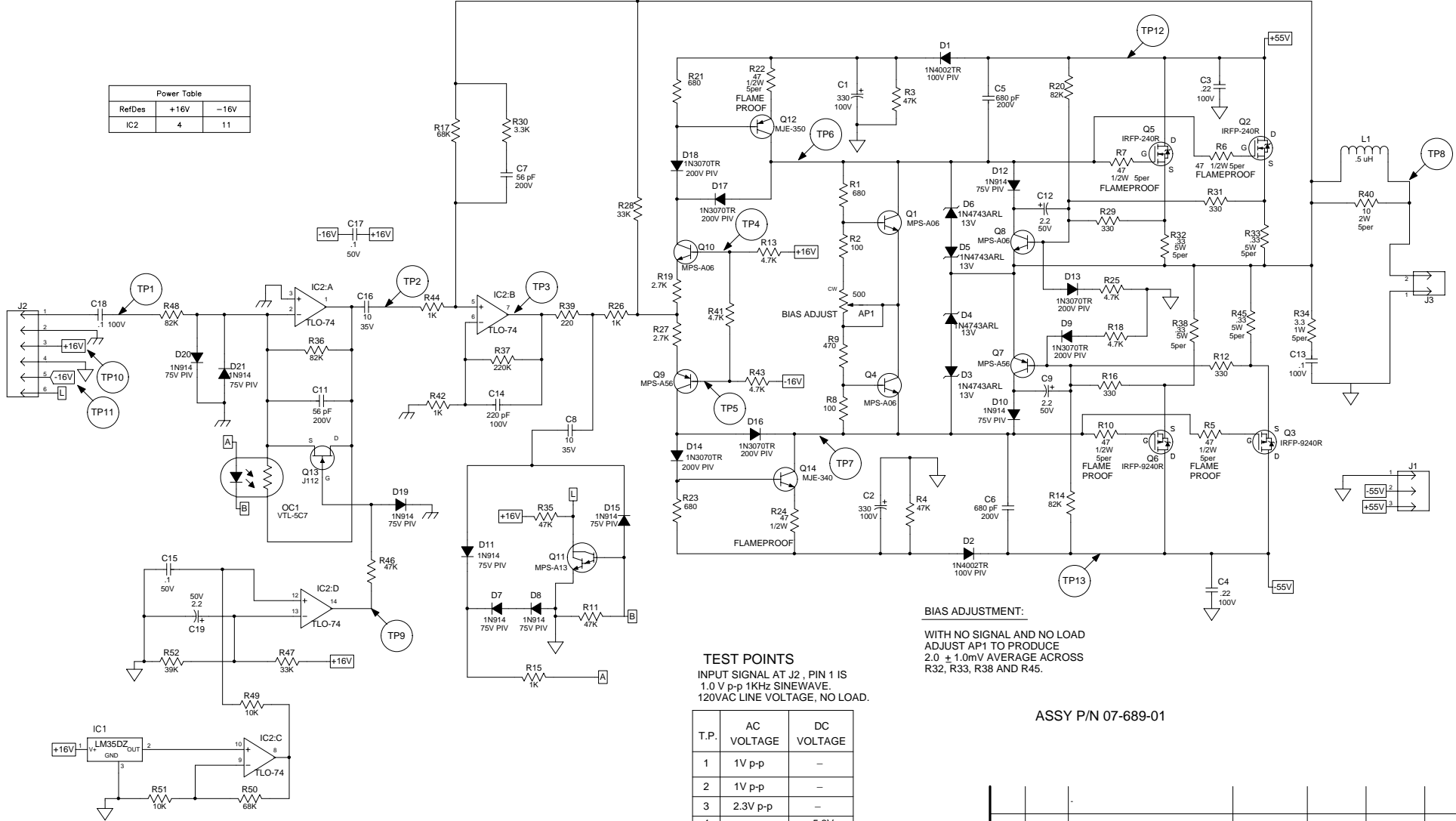


CAUTION:
 THIS SCHEMATIC IS PROVIDED FOR USE BY QUALIFIED PERSONNEL.
 TO AVOID RISK OF ELECTRIC SHOCK, REFER SERVICING TO QUALIFIED
 SERVICE PERSONNEL. DO NOT PERFORM ANY SERVICING BEYOND
 THAT EXPLAINED IN THE OPERATING INSTRUCTIONS.

- NOTES:**
- 1) CAUTION: SHOCK HAZARD!!
 THIS UNIT CONTAINS HAZARDOUS VOLTAGE. DISCONNECT POWER
 AND BE SURE POWER SUPPLY IS DISCHARGED BEFORE
 TOUCHING INTERNAL PARTS.
 - 2) UNLESS NOTED, RESISTOR VALUES IN OHMS, 1/4W-5% TOL.
 CAPACITOR VALUES IN MICROFARADS, 50V-10% TOL.
 - 3) VOLTAGES ARE MEASURED WITH 1 MEGOHM OSCILLOSCOPE
 AND 10 MEGOHM DIGITAL VOLTMETER.

1	5-11-04	CHANGED VALUES OF C61 & C62 CONTROL ISSUE	R01247	RLB		
REV	Date	DESCRIPTION	Ecr(s)/Ecn(s)	Chgd By	Appvd by	Date
THE INFORMATION CONTAINED ON THIS DRAWING IS PROPRIETARY TO ST. LOUIS MUSIC, INC.						
Signatures:			Date:		 1901 Congressional, St. Louis, MO 63146	
Drawn: RLB		6-19-03				
Checked:			Released:		First Used On:	
Plot Date: Mon May 17, 2004		Drawing Size: C		Drawing Title:		
Plot Time: 10:06:42		Drawing Type: Schematic		PWA - BASS AMPLIFIER		
Tolerance:		Class Code: NONE		Drawing Number:		
		Sheet 2 of 2		07S646		

Power Table		
RefDes	+16V	-16V
IC2	4	11



BIAS ADJUSTMENT:
 WITH NO SIGNAL AND NO LOAD
 ADJUST AP1 TO PRODUCE
 2.0 ± 1.0mV AVERAGE ACROSS
 R32, R33, R38 AND R45.

TEST POINTS
 INPUT SIGNAL AT J2, PIN 1 IS
 1.0 V p-p 1KHz SINEWAVE,
 120VAC LINE VOLTAGE, NO LOAD.

T.P.	AC VOLTAGE	DC VOLTAGE
1	1V p-p	-
2	1V p-p	-
3	2.3V p-p	-
4	-	+5.8V
5	-	-5.8V
6	65V p-p	+4V
7	65V p-p	-4V
8	65V p-p	-
9	-	-15V
10	-	+16V
11	-	-16V
12	-	+55V
13	-	-55V

* DC LEVEL IS APPROXIMATE
 DEPENDING ON BIAS.

CAUTION:
 THIS SCHEMATIC IS PROVIDED FOR USE BY QUALIFIED PERSONNEL.
 TO AVOID RISK OF ELECTRIC SHOCK, REFER SERVICING TO QUALIFIED
 SERVICE PERSONNEL. DO NOT PERFORM ANY SERVICING BEYOND
 THAT EXPLAINED IN THE OPERATING INSTRUCTIONS.

NOTES:
 1) CAUTION: SHOCK HAZARD!!
 THIS UNIT CONTAINS HAZARDOUS VOLTAGE. DISCONNECT POWER
 AND BE SURE POWER SUPPLY IS DISCHARGED BEFORE
 TOUCHING INTERNAL PARTS.
 2) UNLESS NOTED, RESISTOR VALUES IN OHMS, 1/4W-5% TOL.
 CAPACITOR VALUES IN MICROFARADS, 50V-10% TOL.
 3) VOLTAGES ARE MEASURED WITH 1 MEGOHM OSCILLOSCOPE
 AND 10 MEGOHM DIGITAL VOLTMETER.

ASSY P/N 07-689-01

REV	Date	DESCRIPTION	Ecr(s)/Ecn(s)	Chgd By	Appvd by	Date
A	8/05/03	INITIAL ISSUE				

THE INFORMATION CONTAINED ON THIS DRAWING IS PROPRIETARY TO
 ST. LOUIS MUSIC, INC

Signatures: _____ **Date:** 6/17/02

Drawn: REM
 Checked: -
 Released: -

Plot Date: Wed Aug 13, 2003
 Plot Time: 11:11:43

Signature: *[Signature]*
 11880 Borman Drive, St. Louis, MO 63146

First Used On: -

Plot Date: Wed Aug 13, 2003
 Plot Time: 11:11:43

Tolerance: _____

Plot Date: Wed Aug 13, 2003
 Plot Time: 11:11:43

Drawing Size: C
 Drawing Type: Schematic
 Class Code: NONE
 Sheet 1 of 1

Drawing Title: **SCHEM-220 WATT PWR AMP**
 Drawing Number: **07S689**