



Service Manual



TUBE CONDENSER MICROPHONE T-1

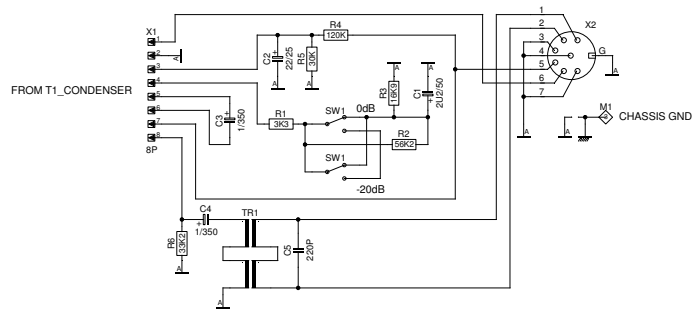
Vacuum Tube Condenser Microphone

Specifications	2
PCB Schematic	3
Parts List	6
Exploded Drawing	14

TUBE CONDENSER MICROPHONE T-1

Specifications

- Professional, large-diaphragm, tube condenser microphone for unsurpassed audio quality
- Hand-selected 12AX7 vacuum tube for exceptional warmth and vintage sound
- Ideal as main and support microphone for studio and live applications
- Cardioid pickup pattern for outstanding sound source separation and feedback rejection
- Pressure-gradient transducer with shock-mounted capsule
- Perfect for vocals and acoustic instruments
- Switchable low-frequency roll-off and -20 dB input attenuation
- External power supply with 30 ft. (10 m) multi-core included
- Heavy-duty suspension mount, windscreen and aluminum transport case included
- Ultra-rugged construction with metal die-cast body
- High-quality components and exceptionally rugged construction ensure long life
- Conceived and designed by BEHRINGER Germany

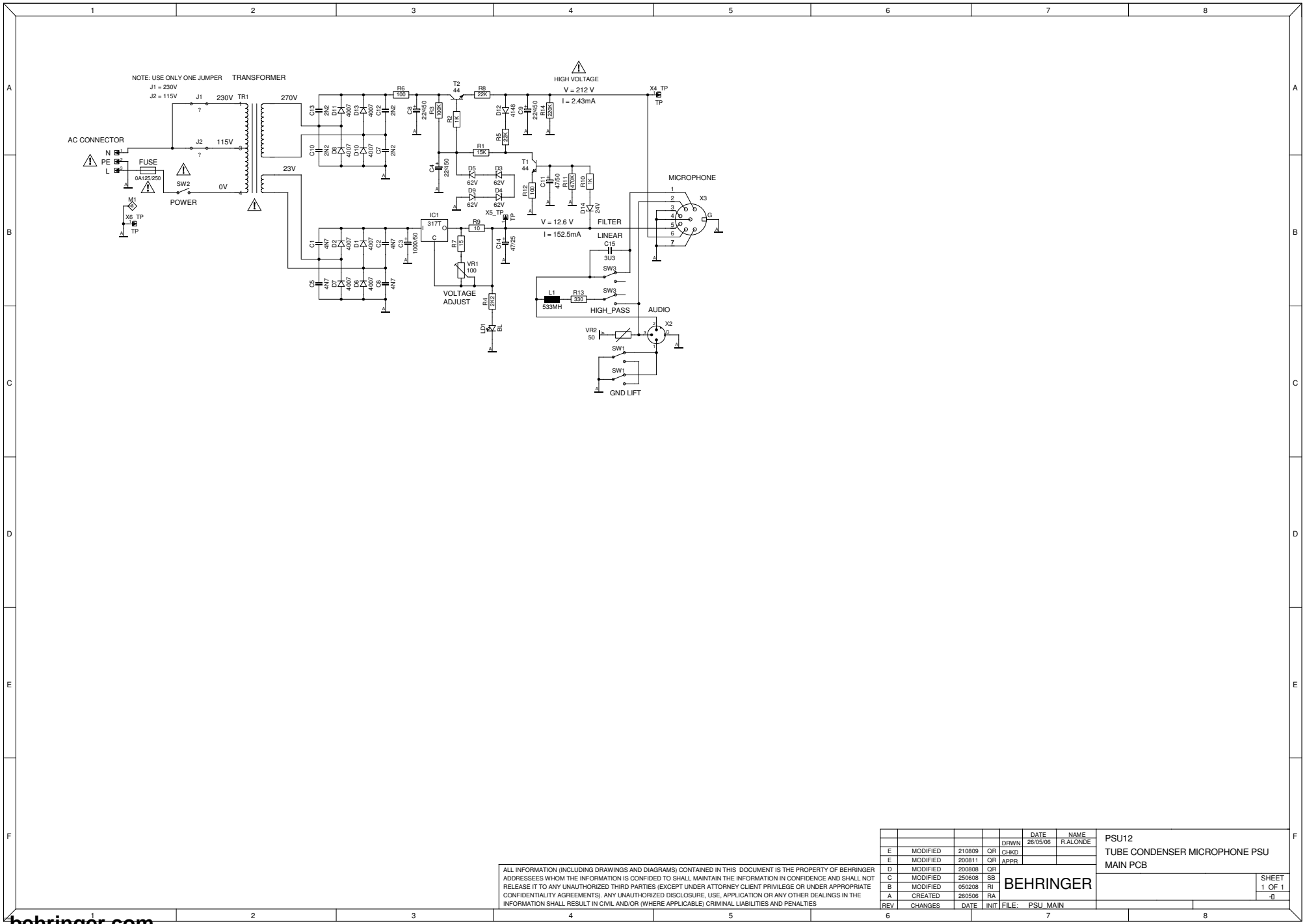


ALL INFORMATION (INCLUDING DRAWINGS AND DIAGRAMS) CONTAINED IN THIS DOCUMENT IS THE PROPERTY OF BEHRINGER ADDRESSEES WHOM THE INFORMATION IS CONFIDED TO SHALL MAINTAIN THE INFORMATION IN CONFIDENCE AND SHALL NOT RELEASE IT TO ANY UNAUTHORIZED THIRD PARTIES (EXCEPT UNDER ATTORNEY CLIENT PRIVILEGE OR UNDER APPROPRIATE CONFIDENTIALITY AGREEMENTS). ANY UNAUTHORIZED DISCLOSURE, USE, APPLICATION OR ANY OTHER DEALINGS IN THE INFORMATION SHALL RESULT IN CIVIL AND/OR (WHERE APPLICABLE) CRIMINAL LIABILITIES AND PENALTIES

				DATE	NAME	
			DRWN	01/06/06	R.ALONDE	P0280
			CHKD			MAIN PCB
			APPR			
D	MODIFIED	241108	RI			
C	MODIFIED	240108	RI			
B	MODIFIED	240907	RI			
A	CREATED	010606	RA			
REV	CHANGES	DATE	INIT	FILE:	MAIN	

BEHRINGER

SHEET
1 OF 1



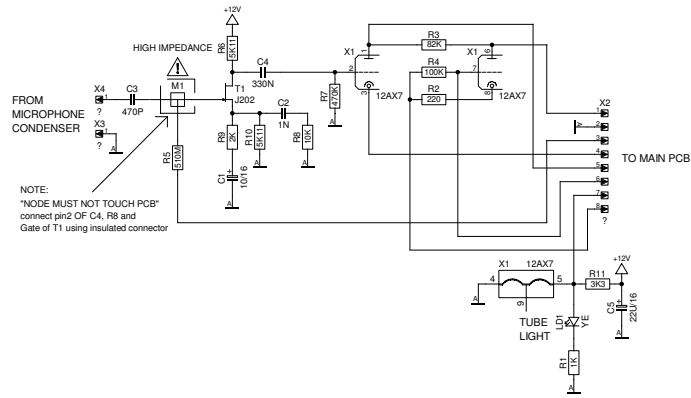
ALL INFORMATION (INCLUDING DRAWINGS AND DIAGRAMS) CONTAINED IN THIS DOCUMENT IS THE PROPERTY OF BEHRINGER ADDRESSEES WHOM THE INFORMATION IS CONFIDED TO SHALL MAINTAIN THE INFORMATION IN CONFIDENCE AND SHALL NOT RELEASE IT TO ANY UNAUTHORIZED THIRD PARTIES (EXCEPT UNDER ATTORNEY CLIENT PRIVILEGE OR UNDER APPROPRIATE CONFIDENTIALITY AGREEMENTS). ANY UNAUTHORIZED DISCLOSURE, USE, APPLICATION OR ANY OTHER DEALINGS IN THE INFORMATION SHALL RESULT IN CIVIL AND/OR (WHERE APPLICABLE) CRIMINAL LIABILITIES AND PENALTIES

REV	CHANGES	DATE	INIT	FILE:	PSU_MAIN
E	MODIFIED	210809	OR	DRWN	26/05/06
E	MODIFIED	200811	OR	CHKD	R.ALONDE
D	MODIFIED	200808	OR	APPR	
C	MODIFIED	250608	SB		
B	MODIFIED	050208	RI		
A	CREATED	260506	RA		

PSU12
TUBE CONDENSER MICROPHONE PSU
MAIN PCB

BEHRINGER

SHEET
1 OF 1
-0



NOTE:
 "NODE MUST NOT TOUCH PCB"
 connect pin2 OF C4, R8 and
 Gate of T1 using insulated connector

ALL INFORMATION (INCLUDING DRAWINGS AND DIAGRAMS) CONTAINED IN THIS DOCUMENT IS THE PROPERTY OF BEHRINGER ADDRESSEES WHOM THE INFORMATION IS CONFIDED TO SHALL MAINTAIN THE INFORMATION IN CONFIDENCE AND SHALL NOT RELEASE IT TO ANY UNAUTHORIZED THIRD PARTIES (EXCEPT UNDER ATTORNEY CLIENT PRIVILEGE OR UNDER APPROPRIATE CONFIDENTIALITY AGREEMENTS). ANY UNAUTHORIZED DISCLOSURE, USE, APPLICATION OR ANY OTHER DEALINGS IN THE INFORMATION SHALL RESULT IN CIVIL AND/OR (WHERE APPLICABLE) CRIMINAL LIABILITIES AND PENALTIES

				DATE	NAME	P0280 CONDENSER PCB	SHEET 1 OF 1
			DRWN	02/06/06	R.ALONDE		
			CHKD				
			APPR				
C	MODIFIED	250108	RI			BEHRINGER	-0
B	MODIFIED	250207	RI				
A	CREATED	020606	RA				
REV	CHANGES	DATE	INIT	FILE:	T1_CONDENSER		

Assembly

	Quantity	Unit	Item	Description	Reference Designators	Notes
1	1.0000	Pcs	A05-00000-08099	PCB ASSY;PSU12;REV:E;HI;ROHS		
2	1.0000	Pcs	A05-28001-08087	PCB ASSY;P0280;PCB:01MAIN;REV:D;HI;ROHS		
3	1.0000	Pcs	A05-28002-05139	PCB ASSY;P0280;PCB:02;CONDENSER;REV:C;HI;ROHS		
4	1.0000	Pcs	A34-43821-30991	MICROPHONE;C-1;ROHS		DIAPHRAGM

Cable

	Quantity	Unit	Item	Description	Reference Designators	Notes
1	1.0000	Pcs	A70-10071-03988	CABLE;XLR FEMALE PLUG +10m0+XLR MALE PLUG;MIC;BLK;		
2	1.0000	Pcs	A76-15212-03119	CABL:AC-CORD;W/POLY;EU;ROHS		DOMAIN: EU
3	1.0000	Pcs	A76-15032-55649	CABL:AC-CORD;W/POLYBAG;JP;150cm;3-POLE;PSE;ROHS		DOMAIN: JP
4	1.0000	Pcs	A76-15042-05624	CABL:AC-CORD;W/POLY;UK;ROHS		DOMAIN: UK
5	0.0000	Pcs	A76-18050-06505	CABL:AC-CORD;SAA;3-P ISO;1.8M;PANYU;ROHS		DOMAIN: SAA
6	1.0000	Pcs	A76-18050-47490	CABL:AC-CORD;SAA;3-P ISO;1.8M;ROHS		DOMAIN: SAA
7	1.0000	Pcs	A76-15062-45714	AC-CORD;W/POLYBAG;150cm;CHINA;CCC;W/HE109B;ROHS		DOMAIN: CCC
8	1.0000	Pcs	A76-00000-05305	CABL:AC-CORD;3;BR;1500 MM;Plug + Connector:375+730;H05VV-F 3G0.75;ROHS		DOMAIN: BR
9	1.0000	Pcs	A76-15222-06417	CABL:AC-CORD;W/POLY;UL;ROHS		DOMAIN: UL1
10	1.0000	Pcs	A76-00000-13573	CABL:AC-CORD;3;AR;1500 MM;Plug + Connector:321+730;H05VV-F 3G0.75;ROHS		DOMAIN: AR
11	0.0000	Pcs	A77-22027-20208	WIRE;L:220mm;AWG18;UL1015;YE/GN;ROHS		PCB[P0280:01]
12	1.0000	Pcs	A77-22027-92208	WIRE;L:220mm;ZEE;AWG18;UL1015;YE/GN;ROHS	M1	PCB[P0280:01]
13	0.0000	Pcs	A77-07077-00701	WIRE;L:70mm;AWG28;UL1571;BLACK;ROHS		PCB[P0280:02]
14	0.0000	Pcs	A77-07077-00704	WIRE;L:70mm;AWG28;UL1571;WHITE;ROHS		PCB[P0280:02]
15	1.0000	Pcs	A77-07077-79701	WIRE;L:70mm;ZEE;AWG28;UL1571;BK;ROHS	X4	PCB[P0280:02]
16	1.0000	Pcs	A77-07077-79704	WIRE;L:70mm;ZEE;AWG28;UL1571;WH;ROHS	X3	PCB[P0280:02]

Circuit Protector

	Quantity	Unit	Item	Description	Reference Designators	Notes
1	1.0000	Pcs	B22-02511-80001	FUSE;80mA;250V;SLOW;L-TYPE;ROHS		DOMAIN: EU
2	1.0000	Pcs	B22-01512-16001	FUSE;160mA;250V;SLOW;L-TYPE;ROHS		DOMAIN: JP
3	1.0000	Pcs	B22-02511-80001	FUSE;80mA;250V;SLOW;L-TYPE;ROHS		DOMAIN: UK
4	1.0000	Pcs	B22-02511-80001	FUSE;80mA;250V;SLOW;L-TYPE;ROHS		DOMAIN: SAA
5	1.0000	Pcs	B22-02511-80001	FUSE;80mA;250V;SLOW;L-TYPE;ROHS		DOMAIN: CCC
6	1.0000	Pcs	B22-02511-80001	FUSE;80mA;250V;SLOW;L-TYPE;ROHS		DOMAIN: BR
7	1.0000	Pcs	B22-01512-16001	FUSE;160mA;250V;SLOW;L-TYPE;ROHS		DOMAIN: UL1
8	1.0000	Pcs	B22-02511-80001	FUSE;80mA;250V;SLOW;L-TYPE;ROHS		DOMAIN: AR

Coil

	Quantity	Unit	Item	Description	Reference Designators	Notes
1	1.0000	Pcs	B41-25533-02277	COIL;PCB;533mH;SHIELDED;3L;ROHS	L1	PCB[PSU12:00]

Connector

	Quantity	Unit	Item	Description	Reference Designators	Notes
1	1.0000	Pcs	B93-61007-01172	BARE WIRE;DIA:0mm7;L:10mm;ROHS		PCB[PSU12:00]
2	1.0000	Pcs	B95-01360-05253	CONN;XLR;POL:3;MALE;ANGLED;ROHS	X2	PCB[PSU12:00]
3	1.0000	Pcs	B95-14780-02393	CONN;XLR;POL:7;FEM;ANGLED;ROHS	X3	PCB[PSU12:00]
4	1.0000	Pcs	B95-14760-02394	CONN;XLR;POL:7;MALE;ANGLED;ROHS	X2	PCB[P0280:01]

Diode

	Quantity	Unit	Item	Description	Reference Designators	Notes
1	1.0000	Pcs	C11-02014-14843	DIODE;1N4148;DO35;ROHS	D12	PCB[PSU12:00]
2	8.0000	Pcs	C11-03014-00700	DIODE;1N4007;DO41;ROHS	D1,D2,D6-D8,D10,D11,D13	PCB[PSU12:00]
3	1.0000	Pcs	C12-02100-24043	DIODE;ZPD24V0;DO35;TEMIC OR FC;ROHS	D14	PCB[PSU12:00]
4	4.0000	Pcs	C12-03300-06213	DIODE;ZD62V0;BZX85C62;DO41;ROHS	D3-D5,D9	PCB[PSU12:00]

Hardware

	Quantity	Unit	Item	Description	Reference Designators	Notes
1	1.0000	Pcs	F85-13000-44001	HEX.NUT;INNER DIA:13mm;ROHS		FOR JEWEL FIXING
2	1.0000	Pcs	F86-00200-00146	PLASTIC;RING;PC;C-1;REV:B;ROHS		P0280-RING_MIC
3	1.0000	Pcs	F87-00100-09425	RUBBER GASKET;P0280;REV:A;ROHS		P0280-RUBBER_GASKET
4	1.0000	Pcs	F87-00100-14827	RUBBER PART;P0280;RUBBER PAD;REV:A;ROHS		
5	1.0000	Pcs	F87-00200-00141	PAD;PAD-MIKE;TPR;C-1;REV:B;ROHS		P0280-PAD_MIKE
6	1.0000	Pcs	F87-00300-14375	TUBE SUPPORT;P0280;REV:C;ROHS		
7	10.0000	Pcs	F88-30050-30297	SC;M3*5mm;HEAD:PAN;BLK/ZNC;ROHS		FOR PCB AND COVER FIXING
8	4.0000	Pcs	F88-30060-30247	SC;BT3mm*6mm;HEAD:PAN;BLK;ROHS		FOR XLR FIXING
9	2.0000	Pcs	F88-30062-30247	SC;BT3mm*6mm;HEAD:FLAT 5.2;ZINC/BLACK;ROHS		FOR XLR
10	1.0000	Pcs	F88-30070-30297	SC;M3*7mm;HEAD:PAN;BLK;ROHS		FOR PCB BRACKET
11	1.0000	Pcs	F88-40060-30291	SC;M4*6mm;HEAD:PAN;SLV/ZNC;ROHS		
12	6.0000	Pcs	F90-00100-14930	METAL SHIELD;P0280;SHIELD;REV:A;ROHS		
13	2.0000	Pcs	F91-02020-05792	SILICA GEL;MASS:20g;20QB-BB2001-4;ROHS		
14	1.0000	Pcs	F92-00100-09859	SWITCH SPONGE;I00330P;REV:A;ROHS		SPONGE FOR SWITCH
15	1.0000	Pcs	F92-00300-12289	PLASTIC;SPONGE A;I00410P;REV:C;ROHS		
16	1.0000	Pcs	F92-00300-12290	PLASTIC;SPONGE B;I00411P;REV:C;ROHS		
17	1.0000	Pcs	F92-00300-12291	PLASTIC;SPONGE C;I00412P;REV:C;ROHS		
18	1.0000	Pcs	F94-30105-15000	STUD;THREAD-DIA:3mm;L:10mm5+E;ROHS		
19	1.0000	Pcs	F96-21451-70155	WASHER;SPR;SIZE:14.5*17*1.5;ROHS		FOR JEWEL FIXING
20	1.0000	Pcs	F97-00100-09423	MIC-FOAM;P0280;REV:A;ROHS		P0280-MIC_FOAM
21	1.0000	Pcs	F97-00100-12955	OUTSIDE-FOAM;P0720;REV:A;ROHS		FOR MIC
22	1.8000	G	F84-03000-01090	SCREWLOCK;SPEC.NO:01090;ROHS		DOMAIN: EU
23	1.0000	Pcs	F88-30050-30291	SC;M3*5mm;HEAD:PAN;INSERT;SLV;ROHS		DOMAIN: EU
24	3.0000	Pcs	F88-30080-30217	SC;A3*8mm;HEAD:PAN;BLK;ROHS		FOR BOTTOM PCB SELF TAP SCREW, DOMAIN: EU
25	1.0000	Pcs	F88-40040-30291	SC;M4*4mm;HEAD:PAN;SLV/ZNC;ROHS		DOMAIN: EU
26	1.0000	Pcs	F96-40400-80080	WASHER;TE;EXT;DIM:4*8*0mm8;ROHS		DOMAIN: EU
27	1.8000	G	F84-03000-01090	SCREWLOCK;SPEC.NO:01090;ROHS		DOMAIN: JP
28	3.0000	Pcs	F88-30080-30217	SC;A3*8mm;HEAD:PAN;BLK;ROHS		FOR BOTTOM PCB SELF TAP SCREW, DOMAIN: JP
29	1.0000	Pcs	F88-40040-30291	SC;M4*4mm;HEAD:PAN;SLV/ZNC;ROHS		DOMAIN: JP
30	1.0000	Pcs	F96-40400-80080	WASHER;TE;EXT;DIM:4*8*0mm8;ROHS		DOMAIN: JP
31	1.8000	G	F84-03000-01090	SCREWLOCK;SPEC.NO:01090;ROHS		DOMAIN: UK
32	3.0000	Pcs	F88-30080-30217	SC;A3*8mm;HEAD:PAN;BLK;ROHS		FOR BOTTOM PCB SELF TAP SCREW, DOMAIN: UK
33	1.0000	Pcs	F88-40040-30291	SC;M4*4mm;HEAD:PAN;SLV/ZNC;ROHS		DOMAIN: UK
34	1.0000	Pcs	F96-40400-80080	WASHER;TE;EXT;DIM:4*8*0mm8;ROHS		DOMAIN: UK
35	1.8000	G	F84-03000-01090	SCREWLOCK;SPEC.NO:01090;ROHS		DOMAIN: SAA
36	3.0000	Pcs	F88-30080-30217	SC;A3*8mm;HEAD:PAN;BLK;ROHS		FOR BOTTOM PCB SELF TAP SCREW, DOMAIN: SAA
37	1.0000	Pcs	F88-40040-30291	SC;M4*4mm;HEAD:PAN;SLV/ZNC;ROHS		DOMAIN: SAA
38	1.0000	Pcs	F96-40400-80080	WASHER;TE;EXT;DIM:4*8*0mm8;ROHS		DOMAIN: SAA
39	1.8000	G	F84-03000-01090	SCREWLOCK;SPEC.NO:01090;ROHS		DOMAIN: CCC
40	3.0000	Pcs	F88-30080-30217	SC;A3*8mm;HEAD:PAN;BLK;ROHS		FOR BOTTOM PCB SELF TAP SCREW,

	Quantity	Unit	Item	Description	Reference Designators	Notes
						DOMAIN: CCC
41	1.0000	Pcs	F88-40040-30291	SC;M4*4mm;HEAD:PAN;SLV/ZNC;ROHS		FOR GROUNDING, DOMAIN: CCC
42	1.0000	Pcs	F96-40400-80080	WASHER;TE;EXT;DIM:4*8*0mm8;ROHS		FOR GROUNDING, DOMAIN: CCC
43	1.8000	G	F84-03000-01090	SCREWLOCK;SPEC.NO:01090;ROHS		DOMAIN: BR
44	1.0000	Pcs	F88-30050-30291	SC;M3*5mm;HEAD:PAN;INSERT;SLV;ROHS		DOMAIN: BR
45	3.0000	Pcs	F88-30080-30217	SC;A3*8mm;HEAD:PAN;BLK;ROHS		FOR BOTTOM PCB SELF TAP SCREW, DOMAIN: BR
46	1.0000	Pcs	F88-40040-30291	SC;M4*4mm;HEAD:PAN;SLV/ZNC;ROHS		DOMAIN: BR
47	1.0000	Pcs	F96-40400-80080	WASHER;TE;EXT;DIM:4*8*0mm8;ROHS		DOMAIN: BR
48	1.8000	G	F84-03000-01090	SCREWLOCK;SPEC.NO:01090;ROHS		DOMAIN: UL1
49	3.0000	Pcs	F88-30080-30217	SC;A3*8mm;HEAD:PAN;BLK;ROHS		DOMAIN: UL1
50	1.0000	Pcs	F88-40040-30291	SC;M4*4mm;HEAD:PAN;SLV/ZNC;ROHS		DOMAIN: UL1
51	1.0000	Pcs	F96-40400-80080	WASHER;TE;EXT;DIM:4*8*0mm8;ROHS		DOMAIN: UL1
52	1.8000	G	F84-03000-01090	SCREWLOCK;SPEC.NO:01090;ROHS		DOMAIN: AR
53	3.0000	Pcs	F88-30080-30217	SC;A3*8mm;HEAD:PAN;BLK;ROHS		FOR BOTTOM PCB SELF TAP SCREW, DOMAIN: AR
54	1.0000	Pcs	F88-40040-30291	SC;M4*4mm;HEAD:PAN;SLV/ZNC;ROHS		DOMAIN: AR
55	1.0000	Pcs	F96-40400-80080	WASHER;TE;EXT;DIM:4*8*0mm8;ROHS		DOMAIN: AR
56	1.0000	Pcs	F83-00000-15031	CABLE TIE;W:3mm;L:150mm;ROHS		PCB[PSU12:00]
57	0.0660	G	F84-01800-09286	THERM-GREASE;COLOR:WHT;ROHS		PCB[PSU12:00]
58	0.6000	G	F84-03000-01090	SCREWLOCK;SPEC.NO:01090;ROHS		PCB[PSU12:00]
59	3.0000	Pcs	F85-03000-44001	HEX.NUT;INNER DIA:3mm;ROHS		PCB[PSU12:00]
60	1.0000	Pcs	F88-30080-30297	SC;M3*8mm;HEAD:PAN;BLK;ROHS		PCB[PSU12:00]
61	2.0000	Pcs	F88-30100-30297	SC;M3*10mm;HEAD:PAN;BLK;ROHS		PCB[PSU12:00]
62	1.0000	Pcs	F88-30360-30297	SC;M3*36mm;HEAD:PAN;ZINC/BLACK;ROHS		PCB[PSU12:00]
63	1.0000	Pcs	F89-43000-00002	INS.SHEET;GLIMMER;TO220;ROHS		PCB[PSU12:00]
64	0.0100	M	F95-04000-01098	SHRT TUBE;INNER DIA:4mm0;ROHS		PCB[PSU12:00]
65	4.0000	Pcs	F96-10300-60050	WASHER;PL;DIM:3*6*0mm5;ROHS		PCB[PSU12:00]
66	4.0000	Pcs	F96-40300-60050	WASHER;TE;EXT;DIM:3*6*0mm5;ROHS		PCB[PSU12:00]
67	1.0000	Pcs	F98-04400-27886	BUSHING;MINIATURE;NYLON;ROHS		PCB[PSU12:00]
68	1.0000	Pcs	F86-00100-00122	WASHER;TEFLON;SHOULDR;14*24*47;ROHS	M1	FOR PCB 2 CONDENSER, PCB[P0280:02]

Ic

	Quantity	Unit	Item	Description	Reference Designators	Notes
1	1.0000	Pcs	C74-55031-70703	VOLT.REG;LM317;TO220;ROHS	IC1	PCB[PSU12:00]

Led

	Quantity	Unit	Item	Description	Reference Designators	Notes
1	1.0000	Pcs	E10-55430-26595	LED HIB;3mm ROUND;BU;NR;ROHS	LD1	PCB[PSU12:00]
2	1.0000	Pcs	E10-59588-01682	LED SB;3mm ROUND;YE;NR;ROHS	LD1	PCB[P0280:02]

Manual

	Quantity	Unit	Item	Description	Reference Designators	Notes
1	1.0000	Pcs	A56-00000-19361	SERVICEINFORMATION SHEET;ENG;Contact Information Sheet;ROHS		
2	1.0000	Pcs	A57-00003-12001	PRODUCT LEAFLET;2008 CATALOG;ROHS		
3	1.0000	Pcs	A50-28040-22001	MANUAL;P0280;OPERATING INSTRUCTIONS;EU;PAPER:70g;R		DOMAIN: EU
4	1.0000	Pcs	A50-28040-24002	MANUAL;P0280;OPERATING INSTRUCTIONS;ENESFR;PAPER:7		DOMAIN: EU
5	1.0000	Pcs	A50-28040-19002	MANUAL;P0280;OPERATING INSTRUCTIONS;JA;PAPER:70g;P		DOMAIN: JP
6	1.0000	Pcs	A50-28040-24002	MANUAL;P0280;OPERATING INSTRUCTIONS;ENESFR;PAPER:7		DOMAIN: JP
7	1.0000	Pcs	A52-00023-56402	WARRANTY CARD;JPN;V:002;ROHS		DOMAIN: JP
8	1.0000	Pcs	A50-28040-24002	MANUAL;P0280;OPERATING INSTRUCTIONS;ENESFR;PAPER:7		DOMAIN: UK
9	1.0000	Pcs	A50-28040-24002	MANUAL;P0280;OPERATING INSTRUCTIONS;ENESFR;PAPER:7		DOMAIN: SAA
10	1.0000	Pcs	A50-28040-22001	MANUAL;P0280;OPERATING INSTRUCTIONS;EU;PAPER:70g;R		DOMAIN: BR
11	1.0000	Pcs	A50-28040-24002	MANUAL;P0280;OPERATING INSTRUCTIONS;ENESFR;PAPER:7		DOMAIN: BR
12	1.0000	Pcs	A50-28040-24002	MANUAL;P0280;OPERATING INSTRUCTIONS;ENESFR;PAPER:7		DOMAIN: UL1
13	1.0000	Pcs	A50-28040-24002	MANUAL;P0280;OPERATING INSTRUCTIONS;ENESFR;PAPER:7		DOMAIN: AR

Metal Part

	Quantity	Unit	Item	Description	Reference Designators	Notes
1	1.0000	Pcs	A62-00100-09417	METAL;PSU COVER;P0280;REV:A;ROHS		P0280-PSU-COVER
2	1.0000	Pcs	A62-00400-14046	METAL;MIC CASE1;P0280;8380C;REV:D;ROHS		P0280-MIC_CASE1
3	1.0000	Pcs	A62-00600-14372	METAL;MIC CASE2;P0280;8380C;REV:F;ROHS		P0280-MIC_CASE2
4	1.0000	Pcs	A65-00100-09415	METAL;SUPPORT LOCK;P0280;REV:A;ROHS		
5	1.0000	Pcs	A65-00200-10413	METAL;INSERT WASHER;P0280;REV:B;ROHS		TO HOLD THE PIN SCREW
6	1.0000	Pcs	A65-00200-11227	METAL;PIN SCREW;P0280;REV:B;ROHS		P0280-PIN_SCREW
7	1.0000	Pcs	A65-00200-14045	METAL;GRILL TOP;P0280;8380C;REV:B;ROHS		P0280-GRILL_TOP
8	1.0000	Pcs	A65-00400-14044	METAL;GRILL;P0280;8380C;REV:D;ROHS		P0280-GRILL
9	2.0000	Pcs	A65-00400-14932	METAL;NUT;THREAD ADAPTOR;C-1;REV:D;ROHS		
10	1.0000	Pcs	J02-00100-14374	METAL;PSU CASE;P0280;D001;ROHS		P0280-PSU-CASE
11	1.0000	Pcs	J02-00100-14945	METAL;CASE;P0280;F001;ROHS		DOMAIN: EU
12	1.0000	Pcs	J02-00100-14945	METAL;CASE;P0280;F001;ROHS		DOMAIN: JP
13	1.0000	Pcs	J02-00100-14945	METAL;CASE;P0280;F001;ROHS		DOMAIN: UK
14	1.0000	Pcs	J02-00100-14945	METAL;CASE;P0280;F001;ROHS		DOMAIN: SAA
15	1.0000	Pcs	J02-00100-14945	METAL;CASE;P0280;F001;ROHS		P0280-CASE, DOMAIN: CCC
16	1.0000	Pcs	J02-00100-14945	METAL;CASE;P0280;F001;ROHS		DOMAIN: BR
17	1.0000	Pcs	J02-00100-14945	METAL;CASE;P0280;F001;ROHS		DOMAIN: UL1
18	1.0000	Pcs	J02-00100-14945	METAL;CASE;P0280;F001;ROHS		DOMAIN: AR
19	1.0000	Pcs	A63-01000-22288	HEATSINK 03;EP1500;REV:B;ROHS		PCB[PSU12:00]
20	1.0000	Pcs	A65-00100-00123	METAL RIVET;1.0*1.4*4.3MM;ROHS		FOR PCB 2 CONDENSER, PCB[P0280:02]

Packaging Part

	Quantity	Unit	Item	Description	Reference Designators	Notes
1	4.0000	Pcs	G25-00100-12292	PLASTIC;POLYFOAM;I00441P;REV:A;ROHS		
2	1.0000	Pcs	G28-20090-14010	PE BAG;SIZE:9in*14in;W/WARNING;ROHS		
3	1.0000	Pcs	G28-20180-28010	PE BAG;SIZE:18in*28in;W/WARNIN;ROHS		
4	1.0000	Pcs	G28-60501-60019	PE BAG;SIZE:5in*16in;09 PE;W/WARN.;ROHS		
5	1.0000	Pcs	G28-60701-10014	PE BAG;SIZE:7in*11in;04 PE;W/WARNING;ROHS		
6	0.2000	Pcs	I40-00100-12032	MAST.CART.;P0280;B001;ROHS		
7	1.0000	Pcs	I46-00100-12033	GIBO;P0280;B001;ROHS		

Pcbs

	Quantity	Unit	Item	Description	Reference Designators	Notes
1	1.0000	Pcs	G40-00000-00901	PCB;P0720;E;921080;PSU12;ROHS		PCB[PSU12:00]
2	1.0000	Pcs	G40-28001-05141	PCB;P0280;PCB:01;REV:D;MAIN;ROHS	P1	PCB[P0280:01]
3	1.0000	Pcs	G40-28002-04018	PCB;P0280;PCB:02;REV:C;CONDENSER;ROHS		PCB[P0280:02]

Plastic Part

	Quantity	Unit	Item	Description	Reference Designators	Notes
1	4.0000	Pcs	G51-01200-01762	FEET;RUB;STANDARD;SELF-ADHES;ROHS		FOOTING
2	2.0000	Pcs	G52-00500-09353	KNOB;SWITCH;UB-S;REV:E;ROHS		SWITCH BUTTON
3	1.0000	Pcs	G52-80500-23660	PLASTIC;PS KNOB;PMX2000;ROHS		
4	1.0000	Pcs	G53-25700-01804	JEWEL;BLUE PANTONE 072C;P0406;ROHS		FOR LED
5	1.0000	Pcs	G54-00100-14422	PLASTIC;WINDOW 01;P0280;REV:A;ROHS		P0280-WINDOW
6	1.0000	Pcs	G56-00200-10292	PLASTIC;PCB CASE;P0280;REV:B;ROHS		P0280-PCB_CASE
7	1.0000	Pcs	G56-00200-11887	PLASTIC;CASE;I00409P;REV:B;ROHS		
8	2.0000	Pcs	G58-00100-11631	PLASTIC;SPACER;P0280;REV:A;ROHS		SWITCH SPACER
9	1.0000	Pcs	G58-00200-00142	PLASTIC;BRACKET-MIKE;C-1;REV:B;ROHS		P0280-BRACKET_MIC
10	1.0000	Pcs	G58-00200-02452	SWITCH INLET;PRO SERIES;0.58*0.58in;REV:B;ROHS		POWER BUTTON
11	1.0000	Pcs	G58-00200-10289	PLASTIC;LOCK SCREW;P0280;REV:B;ROHS		P0280-KNOB_LOCK
12	1.0000	Pcs	G58-00200-10414	PLASTIC;HOLDER2;P0280;REV:B;ROHS		P0280-HOLDER2
13	1.0000	Pcs	G58-00200-10417	PLASTIC;WASHER;P0280;REV:B;ROHS		FOR LOCK
14	2.0000	Pcs	G58-00200-11228	PLASTIC;STRING;P0280;REV:B;ROHS		HOLDER FIXING
15	1.0000	Pcs	G58-00200-11519	PLASTIC;HOLDER1;P0280;REV:B;ROHS		P0280-HOLDER1
16	1.0000	Pcs	G58-00300-10416	PLASTIC;RUBBER INSERT;P0280;REV:C;ROHS		FOR FILLING
17	1.0000	Pcs	G58-00300-14446	PLASTIC;PCB CASE LOCK;P0280;REV:C;ROHS		P0280-PCB_CASE_LOCK
18	1.0000	Pcs	G58-00400-14942	PLASTIC;LEVER;P0280;REV:D;ROHS		
19	1.0000	Pcs	I68-00100-11958	PSU STICKER;P0280;700PC;B001;ROHS		P0280-PSU-STICKER, DOMAIN: EU
20	1.0000	Pcs	I68-00100-11958	PSU STICKER;P0280;700PC;B001;ROHS		P0280-PSU-STICKER, DOMAIN: JP
21	1.0000	Pcs	I68-00100-11958	PSU STICKER;P0280;700PC;B001;ROHS		P0280-PSU-STICKER, DOMAIN: UK
22	1.0000	Pcs	I68-00100-11958	PSU STICKER;P0280;700PC;B001;ROHS		P0280-PSU-STICKER, DOMAIN: SAA
23	1.0000	Pcs	I68-00200-11958	PSU STICKER;PSU-T;CCC;B002;ROHS		P0280-PSU-STICKER, DOMAIN: CCC
24	1.0000	Pcs	I68-00100-11958	PSU STICKER;P0280;700PC;B001;ROHS		P0280-PSU-STICKER, DOMAIN: BR
25	1.0000	Pcs	I68-00100-11958	PSU STICKER;P0280;700PC;B001;ROHS		P0280-PSU-STICKER, DOMAIN: UL1
26	1.0000	Pcs	I68-00100-11958	PSU STICKER;P0280;700PC;B001;ROHS		P0280-PSU-STICKER, DOMAIN: AR
27	1.0000	Pcs	G53-26000-22762	FUSEHOLD;FH-B13HA;ROHS	F1	PCB[PSU12:00]
28	1.0000	Pcs	G58-00300-08619	PLASTIC SPACER;3MM VERTICAL;REV:C;ROHS		PCB[PSU12:00]

Plug Socket

	Quantity	Unit	Item	Description	Reference Designators	Notes
1	1.0000	Pcs	G67-30103-01811	SOCKET;AC;SCREW MT.;PCB;RONG-FENG SS-7B-1-T7;ROHS	X1	PCB[PSU12:00]
2	1.0000	Pcs	G71-15308-02348	PIN HEAD;P:2mm54;POL:8;ROWS:1A;ROHS	X1	PCB[P0280:01]
3	1.0000	Pcs	G71-35108-02349	PIN SOCKET;P:2mm54;1 ROW;ROHS	X2	PCB[P0280:02]
4	1.0000	Pcs	G73-18509-25299	SOCKET;VACUUM TUBE;12AX7;V2;ROHS	X1	PCB[P0280:02]

Power Supply

	Quantity	Unit	Item	Description	Reference Designators	Notes
1	1.0000	Pcs	J65-72809-02396	TRAFO;EI;P0280;EU;(SD48-230M-0200AF);ROHS	TR1	PCB[PSU12:00]
2	1.0000	Pcs	J60-39553-02364	TRAFO;AUDIO I/O;(BILLION 95TS-053);ROHS	TR1	PCB[P0280:01]

Raw Material

	Quantity	Unit	Item	Description	Reference Designators	Notes
1	12.0000	G	E41-50088-50456	HOTMELT;ZL;HS-88A;ROHS		
2	1.2000	G	E41-60015-53653	GLUE;TONG-SHEN;EVOBOND HV-15;ROHS		
3	6.1000	G	E41-60063-50190	GLUE;SUN-DA;SW-63;ROHS		
4	0.6000	G	E41-60268-50457	GLUE;SUNYES;820;ROHS		
5	3.4000	G	E41-61001-39245	GLUE;KANGDA;WD1001-2S;ROHS		
6	0.0000	G	E41-60268-50457	GLUE;SUNYES;820;ROHS		PCB[PSU12:00]

Switch

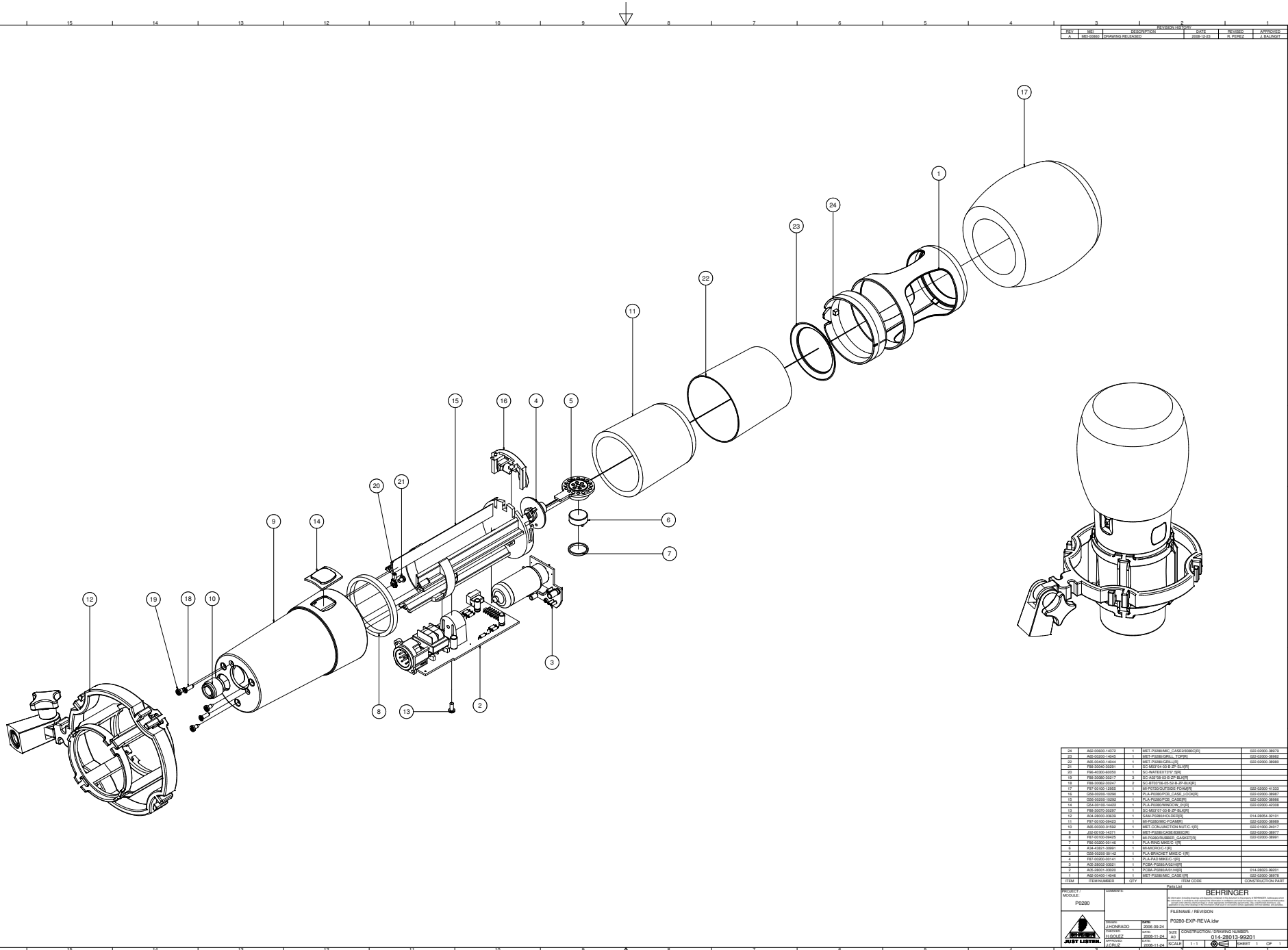
	Quantity	Unit	Item	Description	Reference Designators	Notes
1	2.0000	Pcs	I82-01422-19471	SWITCH;PUSH;POL:2;ALPS;SPUJ19256A;ROHS	SW1,SW3	PCB[PSU12:00]
2	1.0000	Pcs	I82-02211-02777	SWITCH;PUSH;POL:1;TOG:1;SOLTEAM;ROHS	SW2	PCB[PSU12:00]
3	1.0000	Pcs	I86-04422-02425	SWITCH;SLIDE;2P2T;SSH-22D25-GX;ROHS	SW1	PCB[P0280:01]

Transistor

	Quantity	Unit	Item	Description	Reference Designators	Notes
1	2.0000	Pcs	J73-07000-00803	TRANSISTOR;MPSA44;TO-92;ROHS	T1,T2	PCB[PSU12:00]
2	1.0000	Pcs	J70-10020-20803	TRANSISTOR;J202;TO92;FSC;ROHS	T1	PCB[P0280:02]

Vacuum Tube

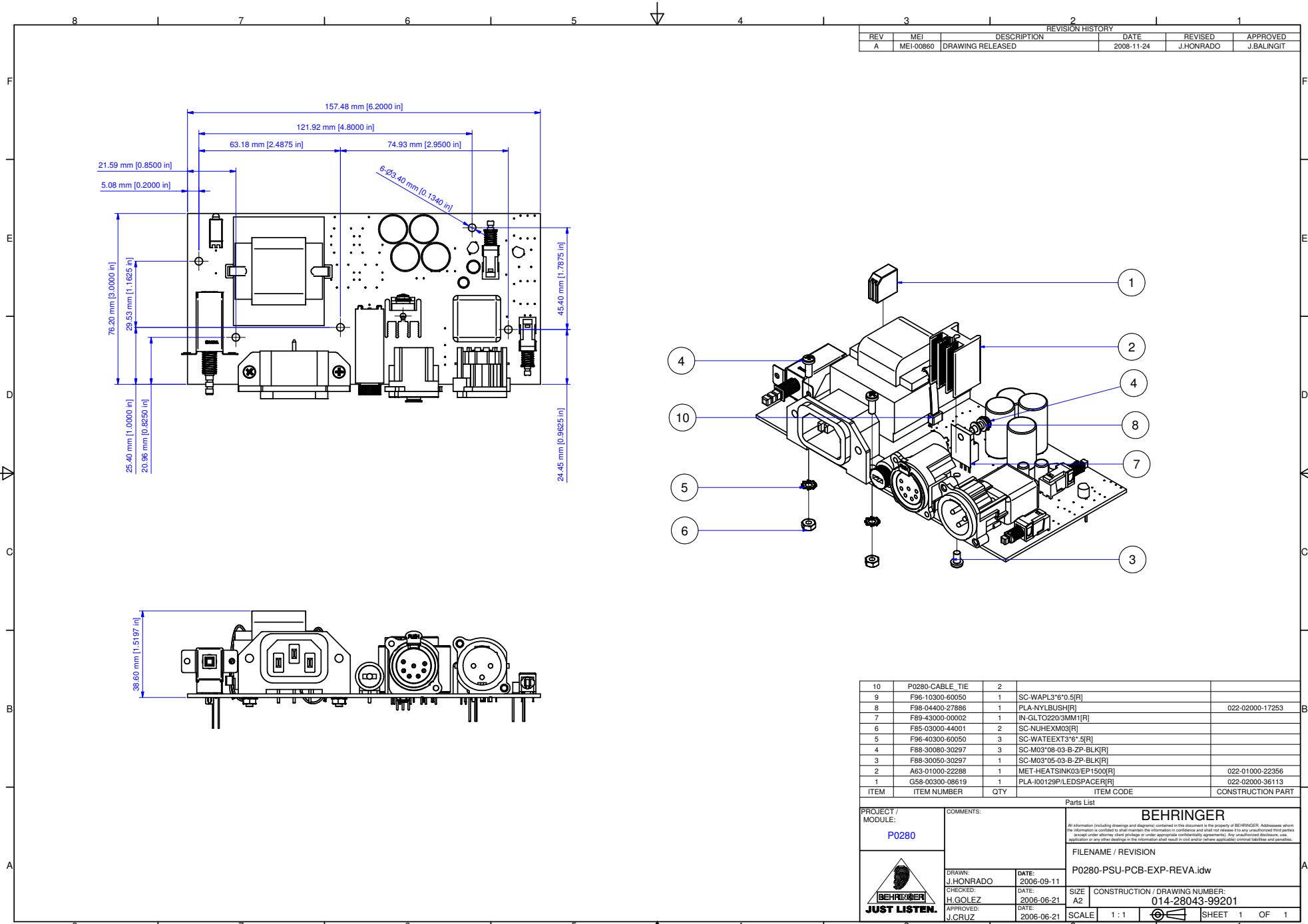
	Quantity	Unit	Item	Description	Reference Designators	Notes
1	1.0000	Pcs	J84-76012-67109	TUBE;P0972;12AX7D;SHUGUANG;V:001;ROHS		



REV.	MR.	DESCRIPTION	REVISION DATE	DESIGNER	APPROVER
1	REVISED	DRAWING RELEASED	2006-09-24	B. PEREZ	E. HERRERA

REV.	MR.	DESCRIPTION	REVISION DATE	DESIGNER	APPROVER
24	AG-00000-14072	1	NET POSITIONING CALIBRATION		000-00000-88178
23	AG-00000-14044	1	NET POSITIONING CASE		000-00000-88166
22	AG-00000-14044	1	NET POSITIONING CASE		000-00000-88166
21	FE-00000-00000	1	NET POSITIONING CASE		000-00000-88166
20	FE-00000-00000	1	NET POSITIONING CASE		000-00000-88166
19	FE-00000-00000	1	NET POSITIONING CASE		000-00000-88166
18	FE-00000-00000	1	NET POSITIONING CASE		000-00000-88166
17	FE-00000-00000	1	NET POSITIONING CASE		000-00000-88166
16	FE-00000-00000	1	NET POSITIONING CASE		000-00000-88166
15	FE-00000-00000	1	NET POSITIONING CASE		000-00000-88166
14	FE-00000-00000	1	NET POSITIONING CASE		000-00000-88166
13	FE-00000-00000	1	NET POSITIONING CASE		000-00000-88166
12	FE-00000-00000	1	NET POSITIONING CASE		000-00000-88166
11	FE-00000-00000	1	NET POSITIONING CASE		000-00000-88166
10	FE-00000-00000	1	NET POSITIONING CASE		000-00000-88166
9	FE-00000-00000	1	NET POSITIONING CASE		000-00000-88166
8	FE-00000-00000	1	NET POSITIONING CASE		000-00000-88166
7	FE-00000-00000	1	NET POSITIONING CASE		000-00000-88166
6	FE-00000-00000	1	NET POSITIONING CASE		000-00000-88166
5	FE-00000-00000	1	NET POSITIONING CASE		000-00000-88166
4	FE-00000-00000	1	NET POSITIONING CASE		000-00000-88166
3	FE-00000-00000	1	NET POSITIONING CASE		000-00000-88166
2	FE-00000-00000	1	NET POSITIONING CASE		000-00000-88166
1	FE-00000-00000	1	NET POSITIONING CASE		000-00000-88166

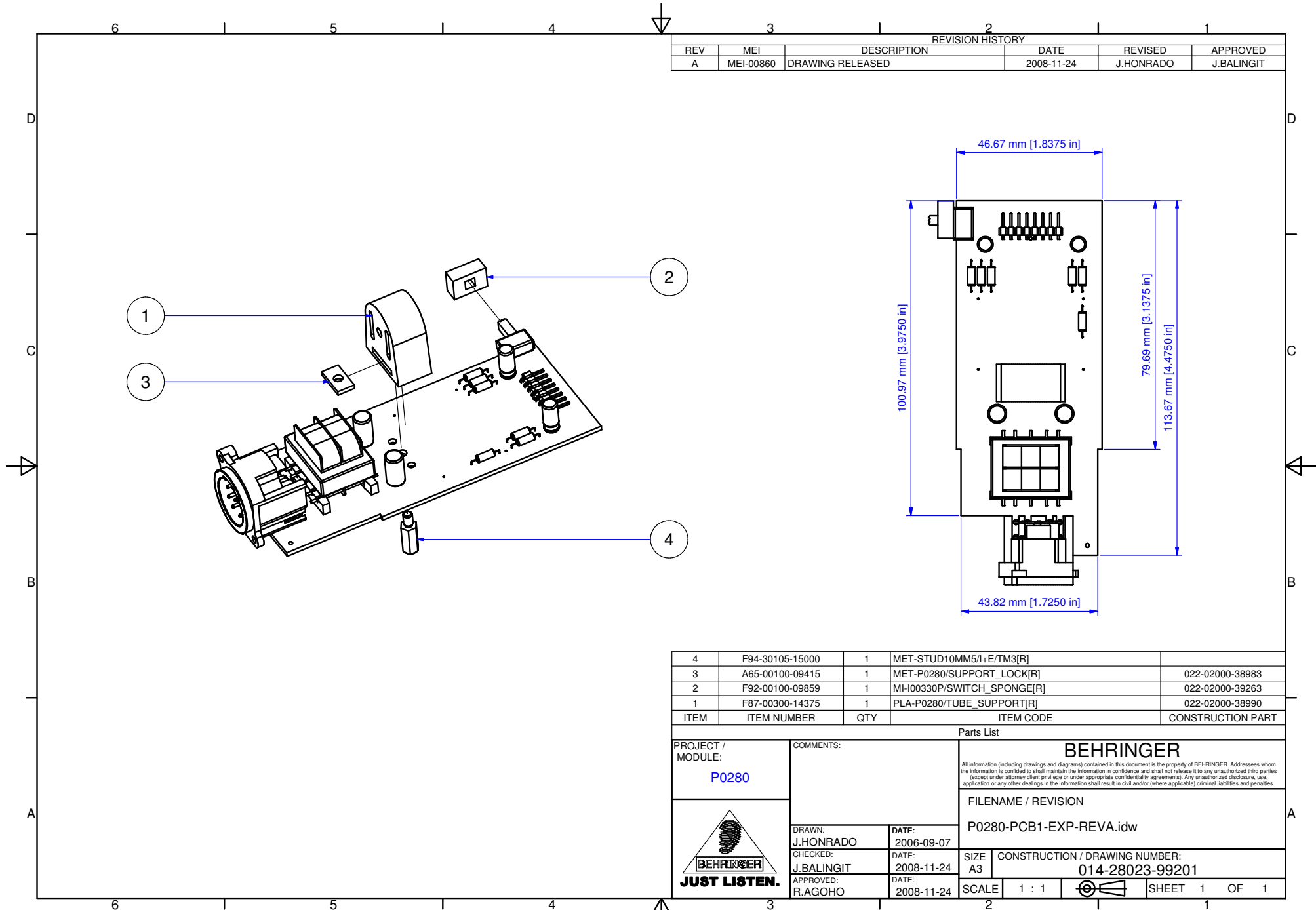
BEHRINGER
 P0280
 FILENAME: REVISA.dwg
 DATE: 2006-09-24
 TIME: 09:11:24
 USER: JLD/BEA
 PLOT: 1:1
 PLOT DATE: 2006-09-24
 PLOT TIME: 11:11
 PLOT USER: JLD/BEA
 PLOT DEVICE: HP-GL/PS2
 PLOT SCALE: 1:1
 PLOT SHEET: 1 OF 1
 PLOT STATUS: OK
 PLOT MESSAGE: PLOT SUCCESSFUL



REV		DESCRIPTION		REVISION HISTORY		DATE	REVISED	APPROVED
A	MEI-00860	DRAWING RELEASED				2006-11-24	J.HONRADO	J.BALINGIT

ITEM	ITEM NUMBER	QTY	ITEM CODE	CONSTRUCTION PART
10	P0280-CABLE_TIE	2		
9	F96-10300-60050	1	SC-WAPL3*5*0.5[R]	
8	F96-04400-27886	1	PLA-NYLBSHR	022-02000-17253
7	F89-43000-00002	1	IN-GLT02203MM[R]	
6	F85-03000-44001	2	SC-NIHEXM03[R]	
5	F96-40300-60050	3	SC-WATEEXT3*5[S]	
4	F88-30080-30297	3	SC-M03*08-03-B-ZP-BLK[R]	
3	F88-30050-30297	1	SC-M03*05-03-B-ZP-BLK[R]	
2	A63-01000-22288	1	MET-HEATSINK03EP150[R]	022-01000-22356
1	G58-00300-08619	1	PLA-100129P/LEDSPACER[R]	022-02000-36113

PROJECT / MODULE: P0280	COMMENTS: BEHRINGER JUST LISTEN.	FILENAME / REVISION: P0280-PSU-PCB-EXP-REVA.idw	BEHRINGER All information (including drawings and diagrams) contained in this document is the property of BEHRINGER. Addressee who the information is certified to shall maintain the information in confidence and shall not release it to any unauthorized third parties without prior written consent.
DRAWN: J.HONRADO	DATE: 2006-09-11	SIZE: A2	CONSTRUCTION / DRAWING NUMBER: 014-28043-99201
CHECKED: H.GOLEZ	DATE: 2006-06-21	SCALE: 1:1	SHEET 1 OF 1
APPROVED: J.CRUZ	DATE: 2006-06-21		



REVISION HISTORY					
REV	MEI	DESCRIPTION	DATE	REVISED	APPROVED
A	MEI-00860	DRAWING RELEASED	2008-11-24	J.HONRADO	J.BALINGIT

ITEM	ITEM NUMBER	QTY	ITEM CODE	CONSTRUCTION PART
4	F94-30105-15000	1	MET-STUD10MM5/I+E/TM3[R]	
3	A65-00100-09415	1	MET-P0280/SUPPORT_LOCK[R]	022-02000-38983
2	F92-00100-09859	1	MI-I00330P/SWITCH_SPONGE[R]	022-02000-39263
1	F87-00300-14375	1	PLA-P0280/TUBE_SUPPORT[R]	022-02000-38990

PROJECT / MODULE: P0280	COMMENTS: Parts List	BEHRINGER <small>All information (including drawings and diagrams) contained in this document is the property of BEHRINGER. Addressees whom the information is confined to shall maintain the information in confidence and shall not release it to any unauthorized third parties (except under attorney client privilege or under appropriate confidentiality agreements). Any unauthorized disclosure, use, application or any other dealings in the information shall result in civil and/or (where applicable) criminal liabilities and penalties.</small>		
		FILENAME / REVISION P0280-PCB1-EXP-REVA.idw		
	DRAWN: J.HONRADO	DATE: 2006-09-07	CONSTRUCTION / DRAWING NUMBER: 014-28023-99201	
	CHECKED: J.BALINGIT	DATE: 2008-11-24		SIZE A3
	APPROVED: R.AGOHO	DATE: 2008-11-24		SCALE 1 : 1
			SHEET 1 OF 1	



imagine music