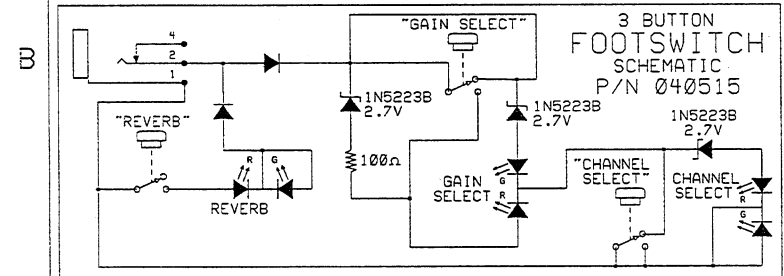


REVISIONS				
ZONE	REV.	DESCRIPTION	DATE	APPROVED
	E	EC 964	26-MAR-93	
	F	EC 989	04-MAY-93	
	G	EC 1117	15-FEB-94	SCH
	H	EC 1610	27-NOV-95	MC
	J	EC 2027	31-OCT-97	MDW



- NOTES: UNLESS OTHERWISE SPECIFIED.
1. ALL RESISTORS 1/4W, 5%.
  2. ALL CAPACITORS 35V MINIMUM.
  3. ALL DIODES 1N4448.
  4. ALL TRANSISTORS J111.
  5. ALL ZENER DIODES 5%, 1/2W.
  6. DC VOLTAGES READ TO GROUND WITH A DVM, NO INPUT SIGNAL.
  7. AC VOLTAGE READINGS TAKEN WITH A DVM TO GROUND UNDER THE FOLLOWING CONDITIONS:  
 1kHz INPUT  
 8Ω RESISTIVE LOAD CONNECTED FROM CP1 TO CP2 WITH P5 GROUNDED  
 NO FOOTSWITCH  
 MIDSHIFT "OFF"  
 GAIN SELECT "ON"  
 CHANNEL SELECT "ON"  
 LEVEL SWITCH AT -7dB  
 GAIN 1 AT "3", GAIN 2 AT "3"  
 REVERB AT "1"  
 EFFECTS MIX AT "1"  
 ALL OTHER CONTROLS SET TO "5"  
 PATCH CORD FROM J2(SEND) TO J3(RETURN)

**OUTPUT TEST:**  
 94 WATTS RMS AT 5% THD  
 1KHZ INTO 4 OHMS  
 69 WATTS RMS AT 5% THD  
 1KHZ INTO 8 OHMS

DATABASE FILE: TSS.DBF  
 CHECKED BY: [Signature]  
 DATE: 11/13/97  
 APPROVED: [Signature]  
 DATE: 11/13/97  
 TOLERANCES: UNLESS OTHERWISE NOTED  
 X.X ±0.050"  
 X.XX ±0.010"  
 X.XXX ±0.005"  
 ANGLES ±0.500°

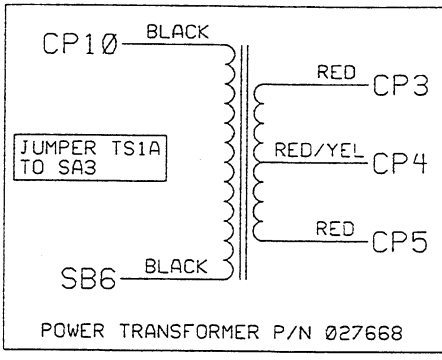
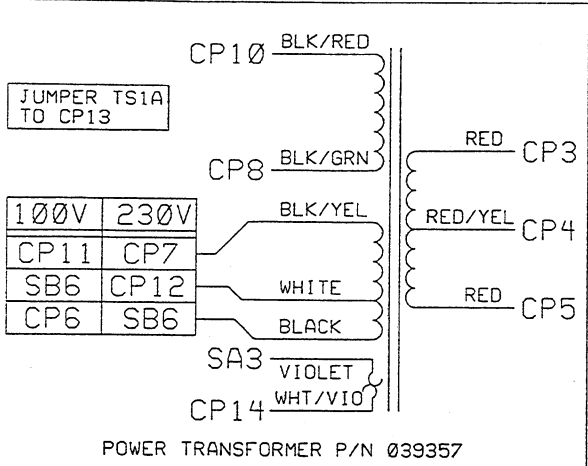
**PROPRIETARY**  
 THIS DRAWING DOCUMENT CONTAINS INFORMATION WHICH IS PROPRIETARY TO AND IS THE PROPERTY OF THE FENDER MUSICAL INSTRUMENTS CO. AND MAY NOT BE USED, REPRODUCED OR DISCLOSED IN ANY MANNER WITHOUT THE EXPRESSED WRITTEN CONSENT FROM:  
 FENDER MUSICAL INSTRUMENTS CO.  
 REGIONAL HEADQUARTERS  
 2621 RESEARCH DRIVE  
 CORONA, CA 91728 USA

**Fender MUSICAL INSTRUMENTS**  
 2621 Research Drive  
 Corona, CA 91728 USA  
**TITLE: SCHEMATIC DIAGRAM ROC PRO 1000**  
 SIZE: D DRAWN: SCOTT H. DRAWING NUMBER: 040262 J REV. 1  
 ENGR: SCOTT H. 1000  
 SCALE: N/A PLOTTED: 03-NOV-97 SHEET 1 OF 1

8 7 6 5 4 3 2 1

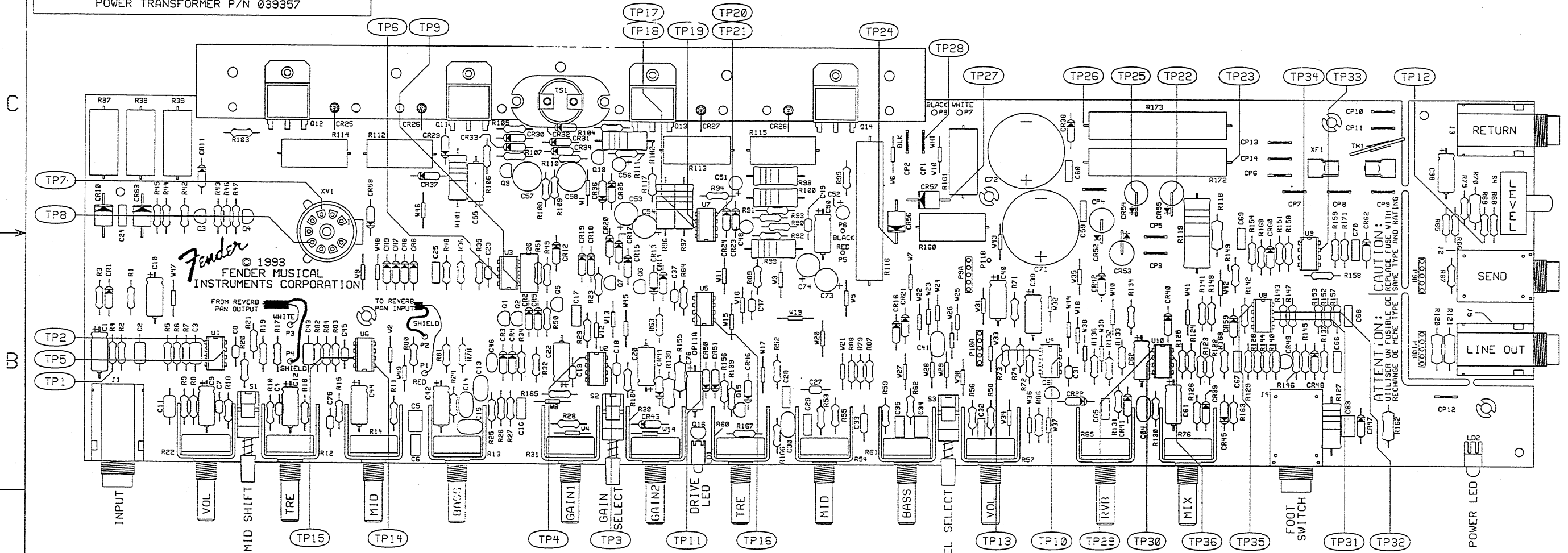
EXPORT MODELS

DOMESTIC MODEL

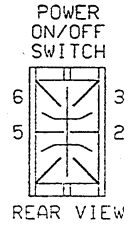
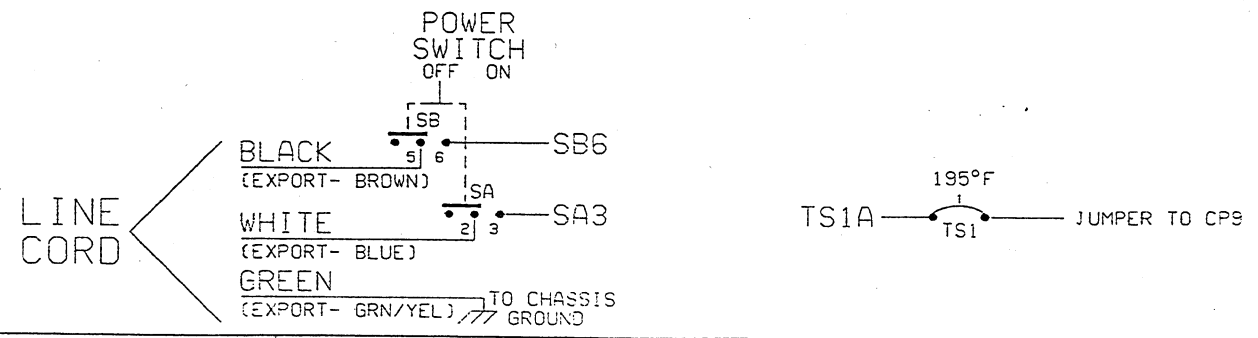


FILM/DWG: SERVICE DIAGRAM  
 DATABASE: TSPSER.DBF DATE: 06-FEB-93  
 LAYERS PLOTTED: 1 2 3 4 10  
 15 19

REVISIONS				
ZONE	REV.	DESCRIPTION	DATE	APPROVED
	A	PR 315	12-OCT-95	
	B	EC 1610	27-NOV-95	MC
	C	EC 2027	31-OCT-97	MDW



ATTENTION: CAUTION: UTILISER UN FUSIBLE DE REMPLACEMENT AVEC LE MEME TYPE ET LA MEME RATING / RECHANGER DE MEME TYPE ET LA MEME RATING



DATABASE FILE: TSPSER.DBF  
 CHECKED BY: [Signature]  
 DATE: 11/13/97  
 APPROVED: [Signature]  
 DATE: 11/13/97  
 TOLERANCES: UNLESS OTHERWISE SPECIFIED  
 X.X = ±.25"  
 X.XX = ±.02"  
 X.XXX = ±.0025"  
 ANGLES = ±.020°

PROPRIETARY  
 THIS DRAWING DOCUMENT CONTAINS INFORMATION WHICH IS PROPRIETARY TO AND IS THE PROPERTY OF THE FENDER MUSICAL INSTRUMENTS CO. AND MAY NOT BE USED, REPRODUCED OR DISCLOSED IN ANY MANNER WITHOUT THE EXPRESSED WRITTEN CONSENT FROM:  
 FENDER MUSICAL INSTR. CORP.  
 REGIONAL HEADQUARTERS  
 2621 RESEARCH DRIVE  
 CORONA, CA 91270  
 ROCK ON. MDS

**Fender** MUSICAL INSTRUMENTS  
 2621 Research Drive  
 Corona, CA 91270

TITLE: SERVICE DIAGRAM  
 RUC PRO 1000

SIZE: DRAWN: SCOTT H. | DRAWING NUMBER: 050339 | REV. C  
 ENGR: SCOTT H.

CREATED: 22-JAN-93  
 PLOTTED: 22-NOV-95

SCALE: N/A SHEET 1 OF 1

8 7 6 5 4 3 2 1