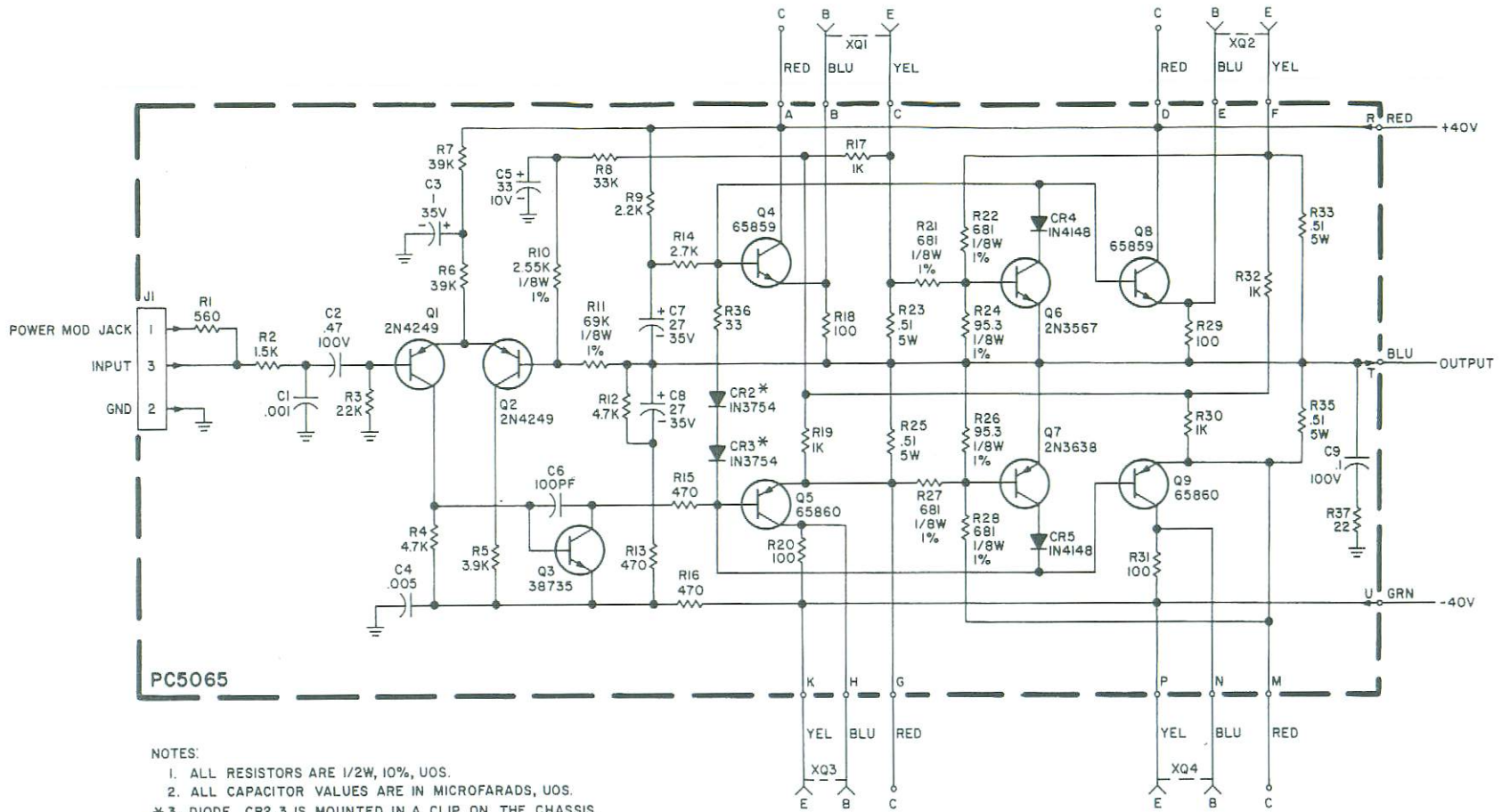


SA-4



NOTES:

1. ALL RESISTORS ARE 1/2W, 10%, UOS.
2. ALL CAPACITOR VALUES ARE IN MICROFARADS, UOS.
- * 3. DIODE CR2,3 IS MOUNTED IN A CLIP ON THE CHASSIS.

HIGHEST REF NOS.

R35
C9
Q9
CR5
XQ4
WIRE PT. R

DELETE REF NOS.

R34
CRI

REV	DATE	BY	CHK	DATE	SCALE	SHT	OF	PART NUMBER
1	6-71	JTS						
2	4-88	7-71	JTS					
3	5-77	8-71	JTS					
4	5-81	10-71	SCHWEL					
5	10-82	4-71	SCHWEL					
6	1-50	10-31	P. M.					
7	1-54	12-75	R.H.					
8	1-64	3-76	D.P.					
9	1-78	7-76	R.H.					
10	1-82	9-76	SCHWEL					
11	1-83	11-76	R.H.					
12	1-84	2-77	SCHWEL					
13	2-85	5-77	SWY					

Custom ELECTRONICS, INC. CHANUTE, KANSAS 66710		TOLERANCES UNLESS NOTED: .XXX = 1.010 HOLES 1.005 .XX = 1.00 ANGLES 11 degrees	
		NAME SCHEMATIC DIAG POWER AMP PC5065	
DATE 5-71 DATE		PART NUMBER 002-5065-00	