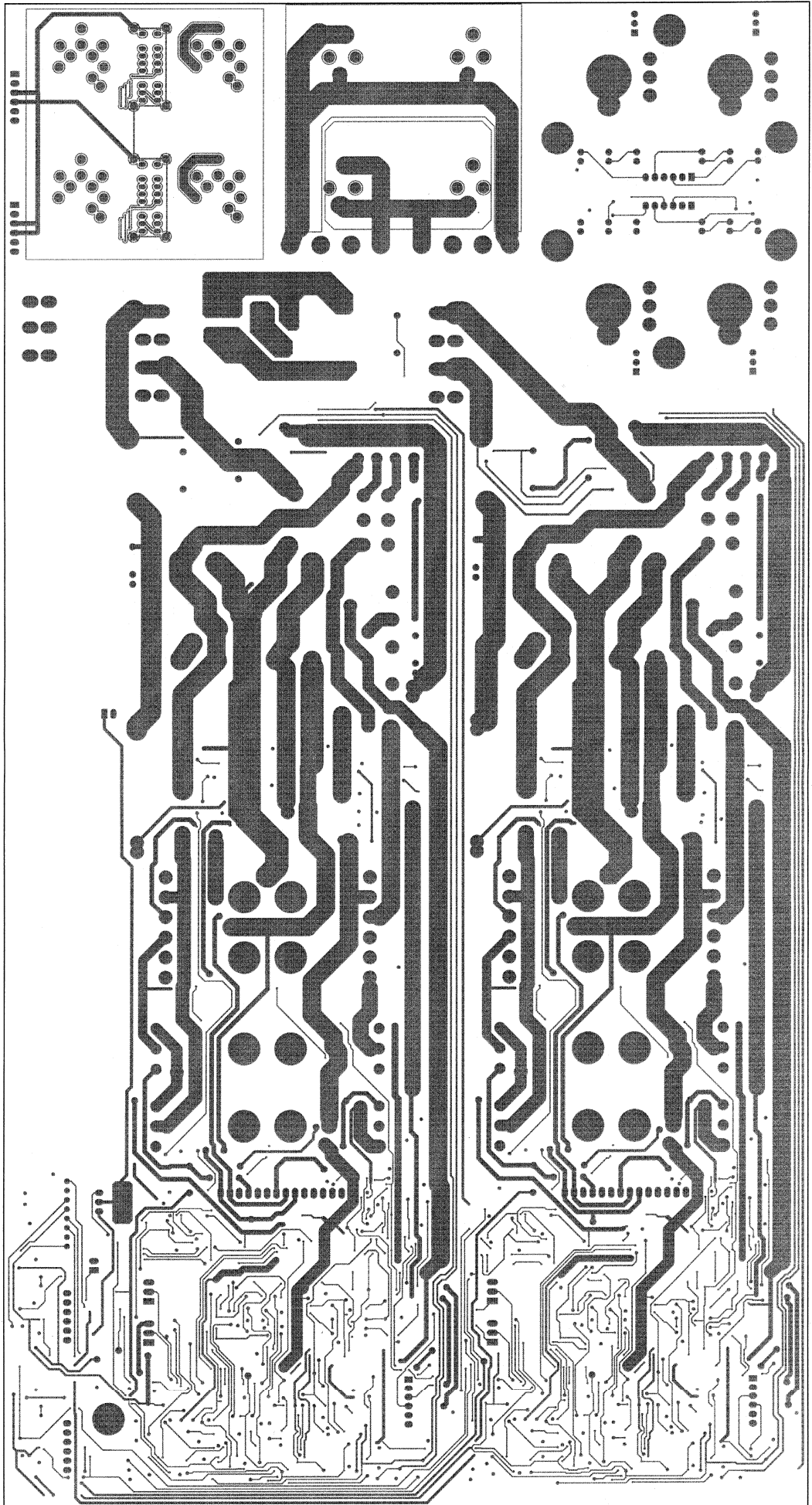
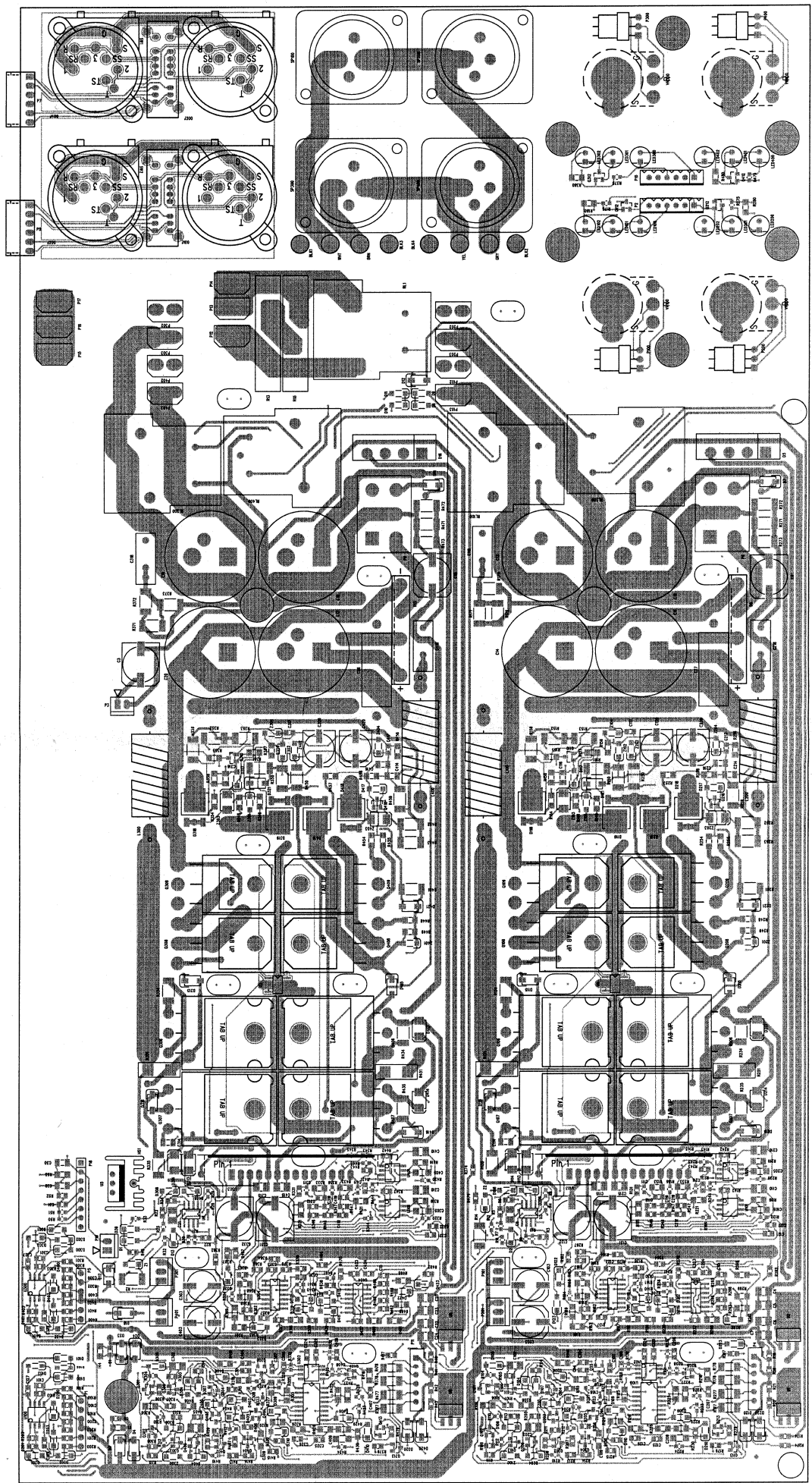
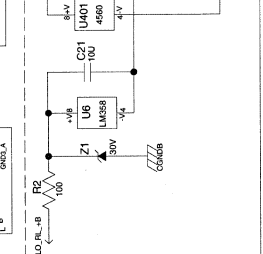
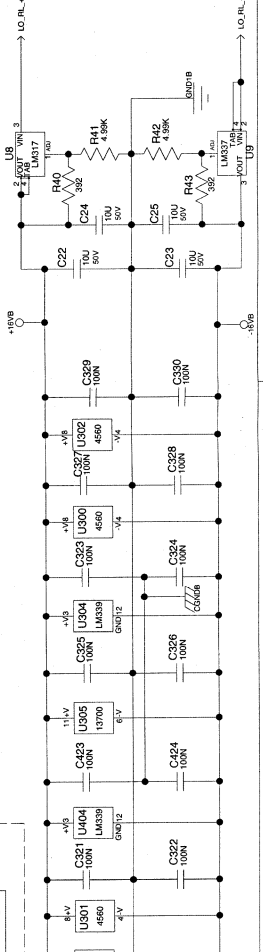
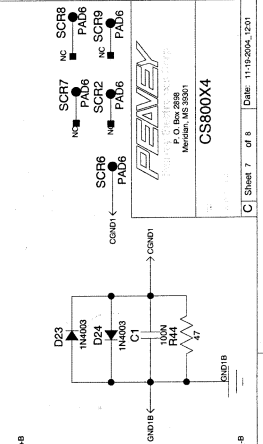
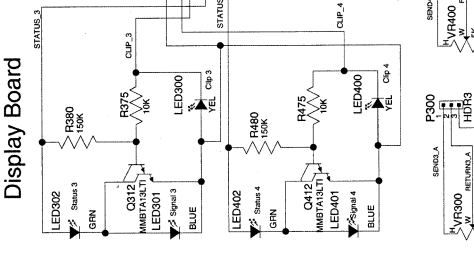
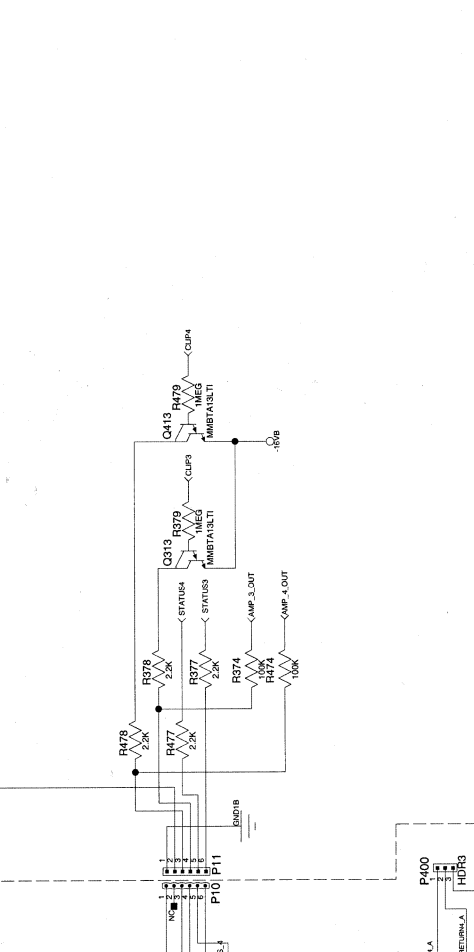
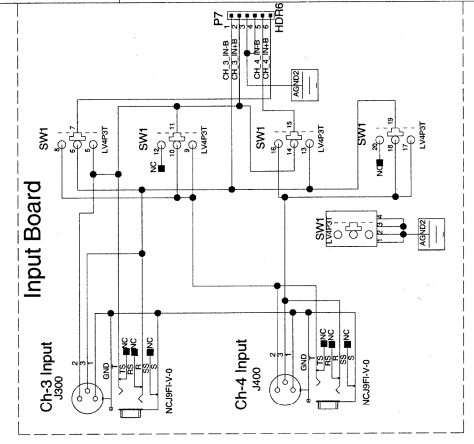
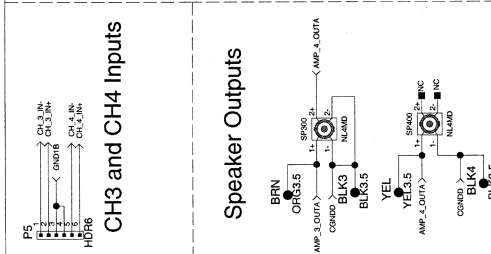
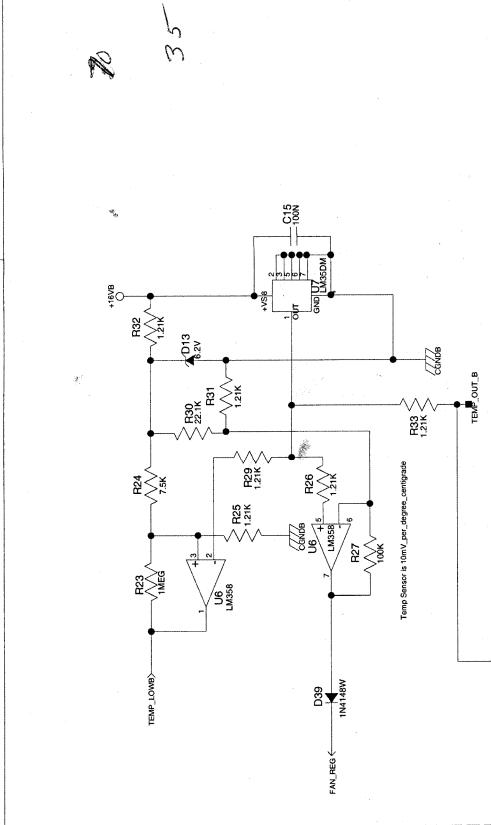
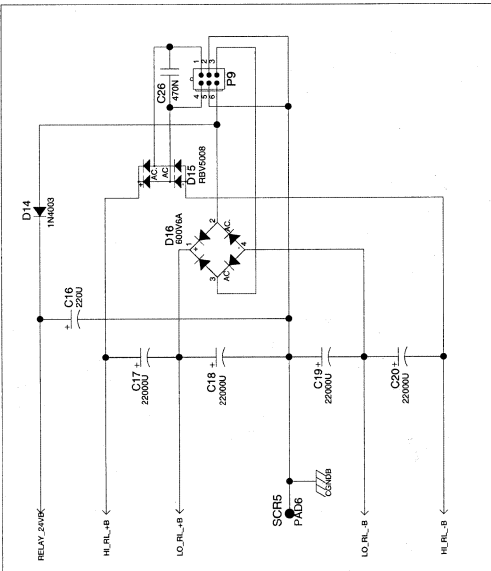


Orient Power Hi-Fi Manufacturing Ltd.  
MODEL CSR0034  
PCB MAIN  
P/N 55-00040/4-20-21  
ISSUE -  
LAYER BOTTOM COPPER



Orient Power Hi-Fi Manufacturing Ltd.  
 MODEL CS80024  
 PCB MAIN  
 P/N 55-0804014-20-21  
 ISSUE -  
 LAYER TOP COPPER





Date: 11-19-2004, 12:01

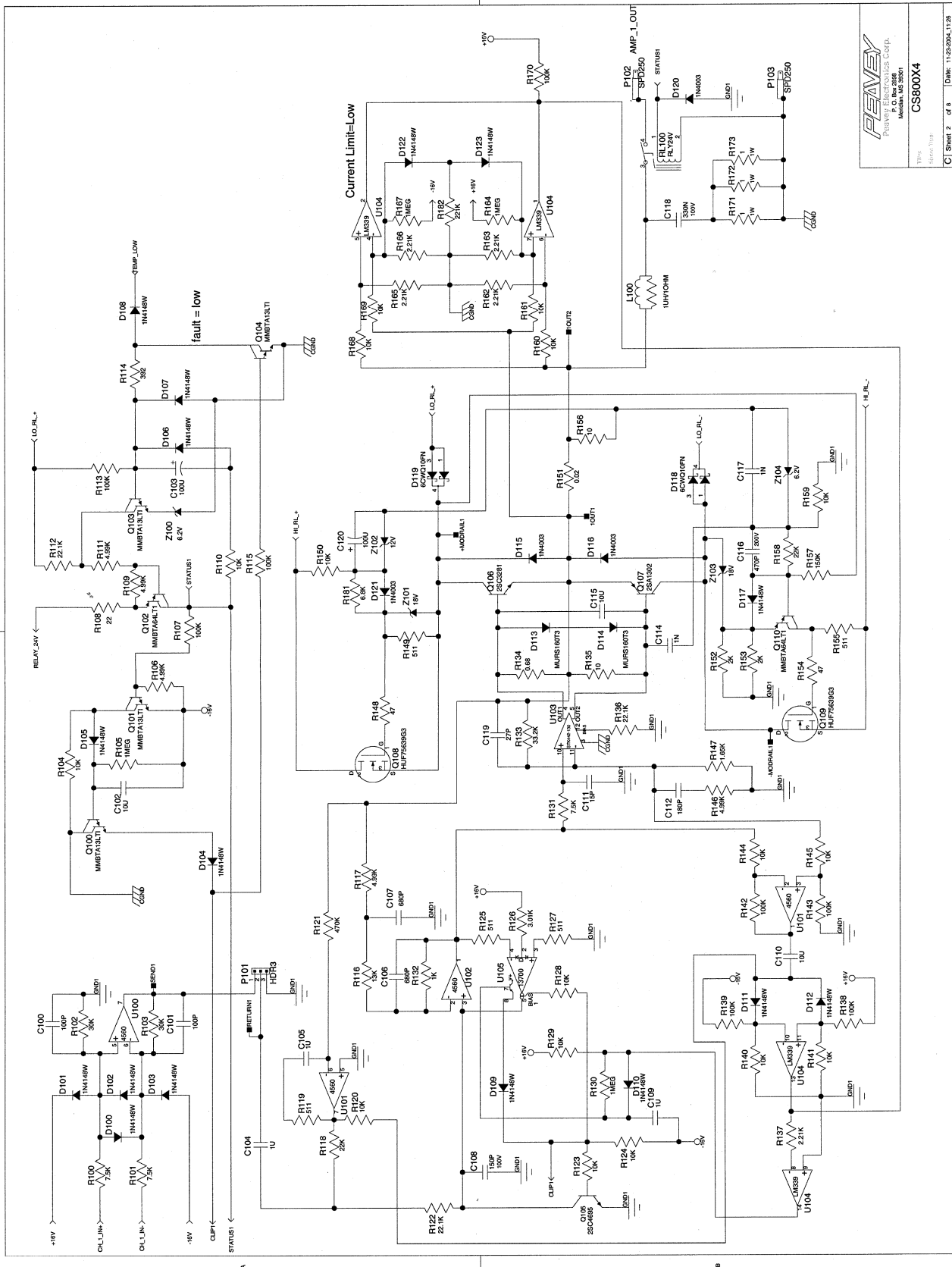
CS800X4

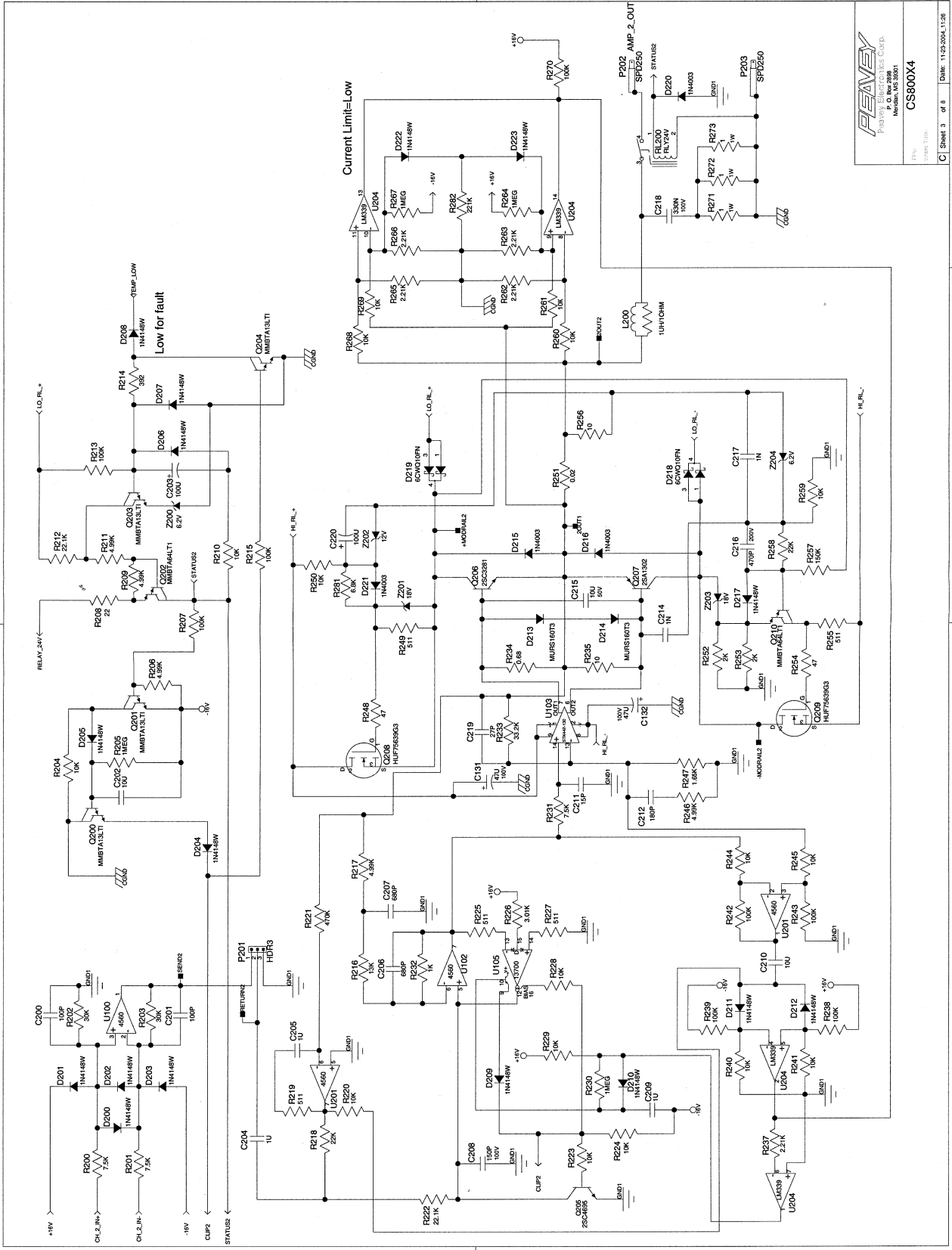
P. O. Box 2838  
Medford, NJ 08051

PENEVEY

C Sheet 7 of 8







Current Limit=Low

**REAMEY**  
 P. O. Box 9898  
 Houston, TX 77241  
 CS800X4  
 Date: 11-20-2004 11:26