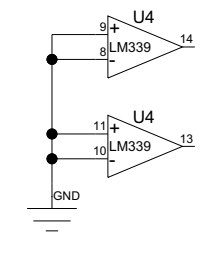
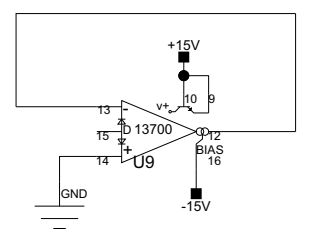
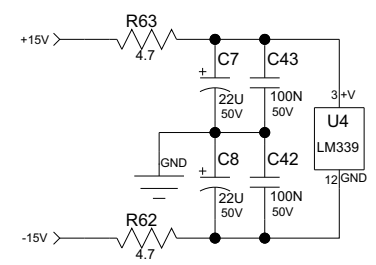
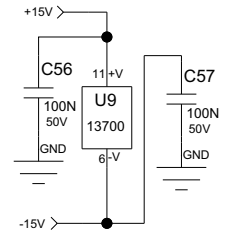
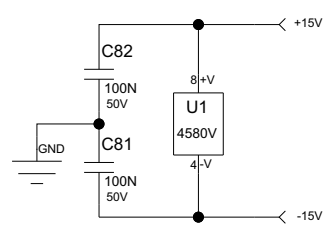
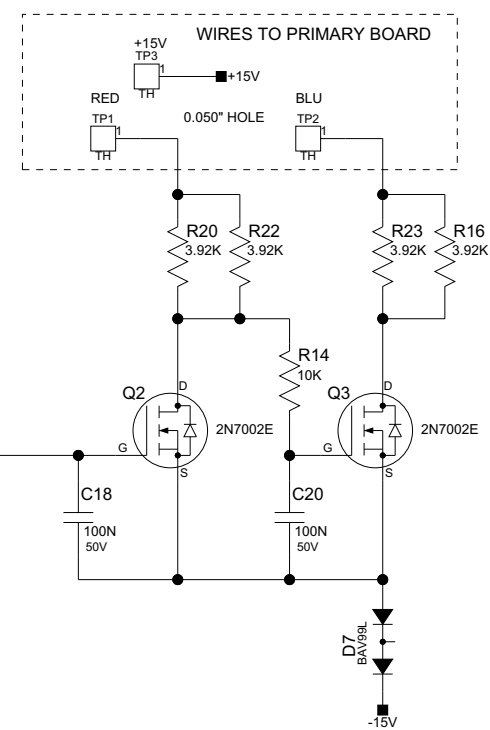
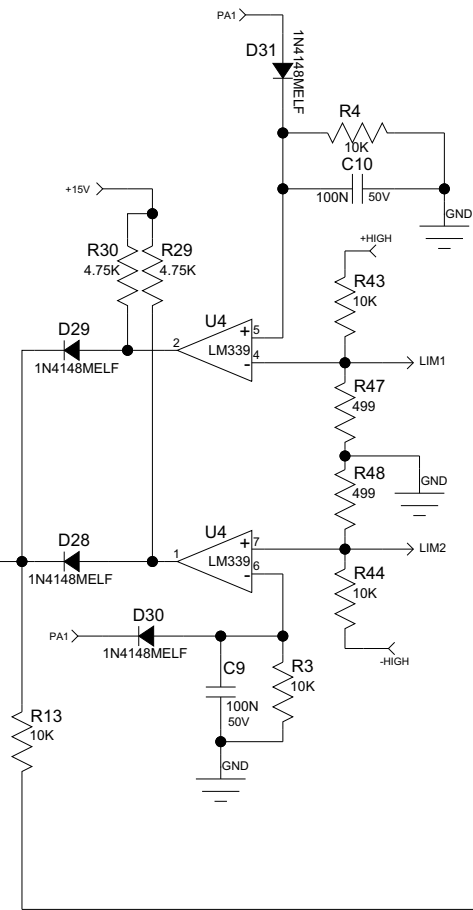
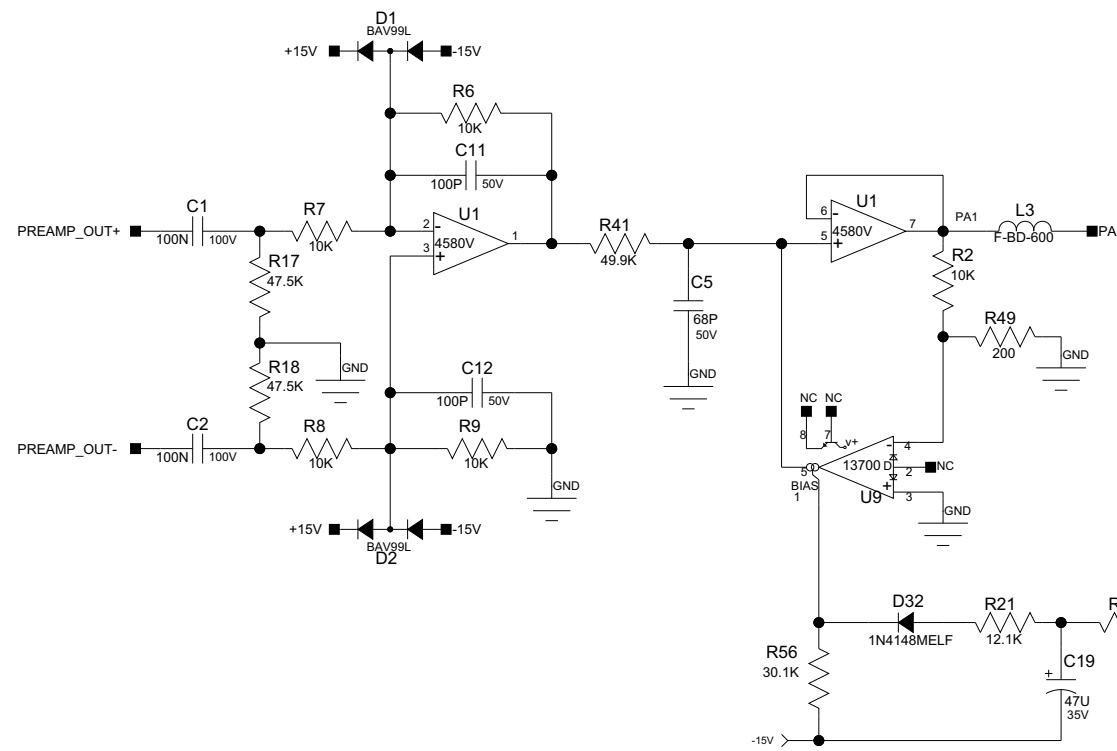
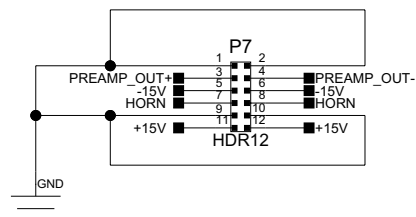


PREAMP INTERFACE

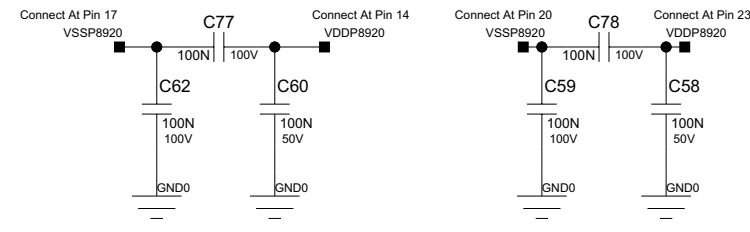
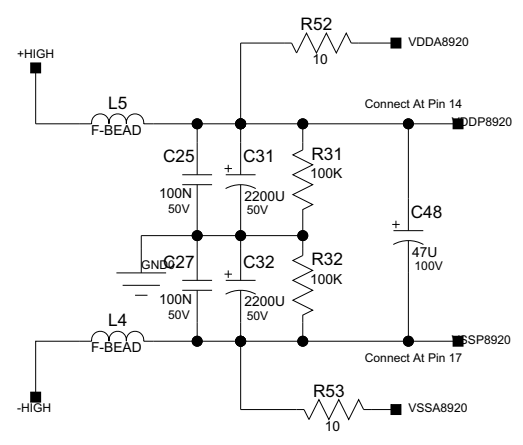
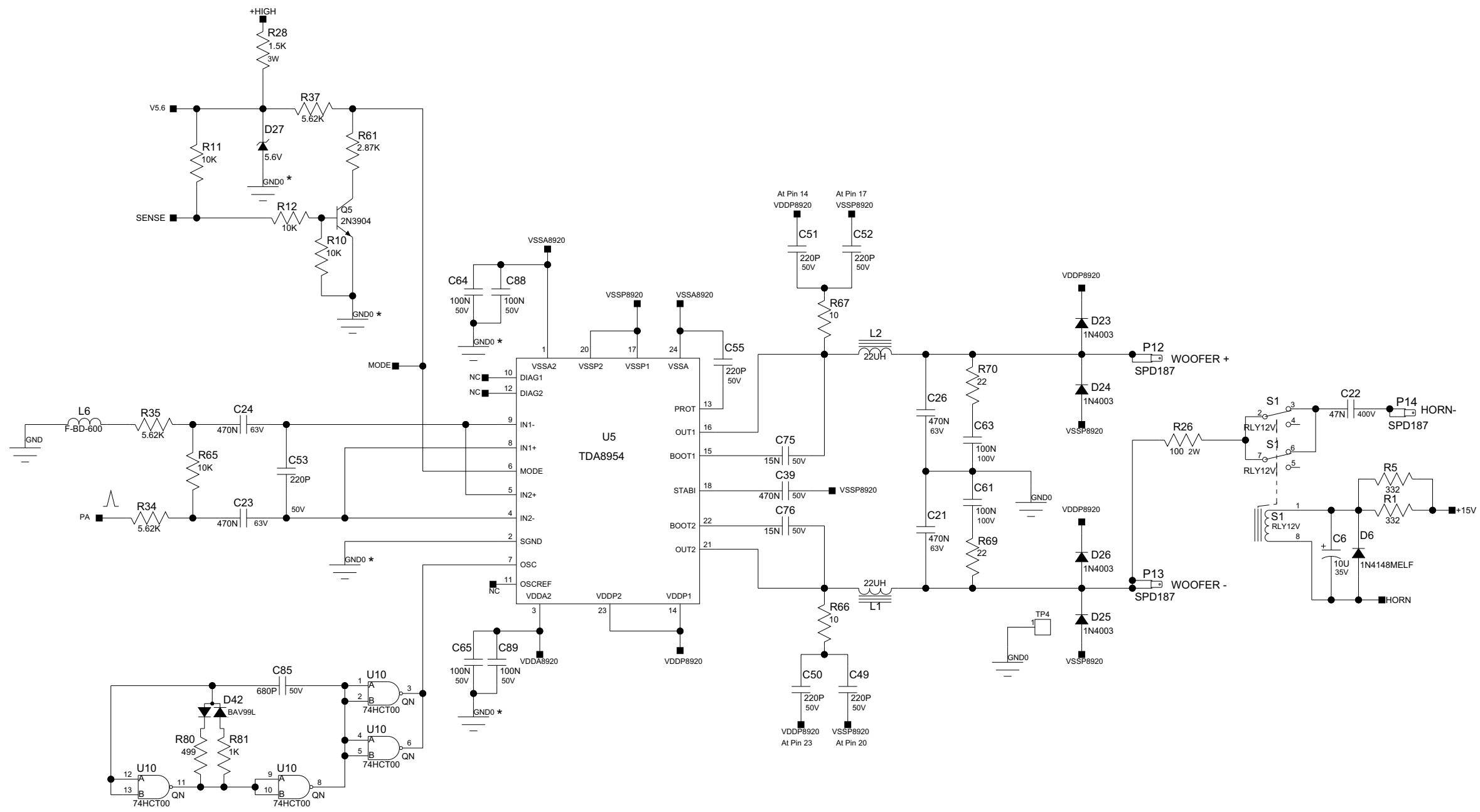


MAX 110/112/115 POWERAMP

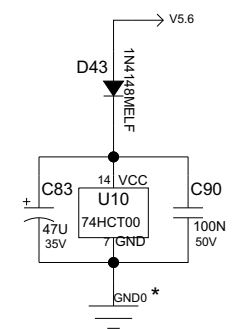
COMPANY PROPRIETARY INFORMATION



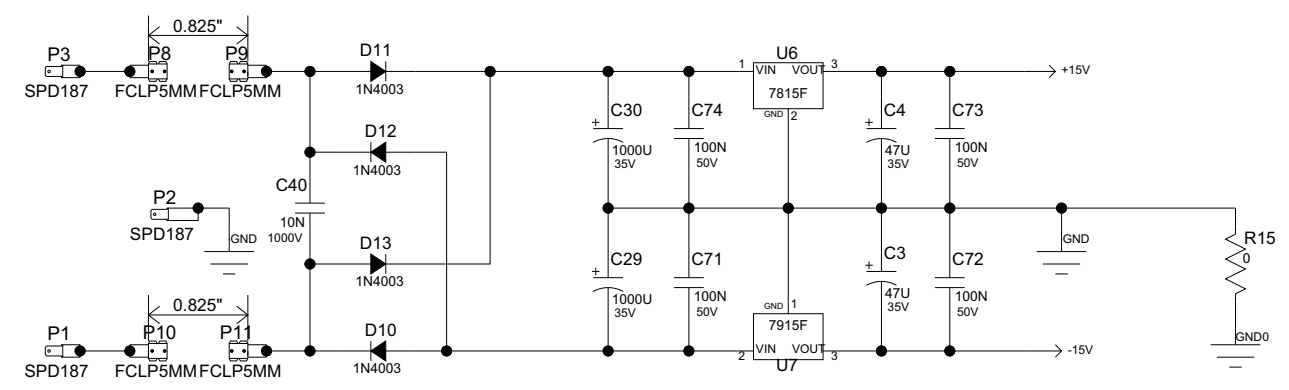
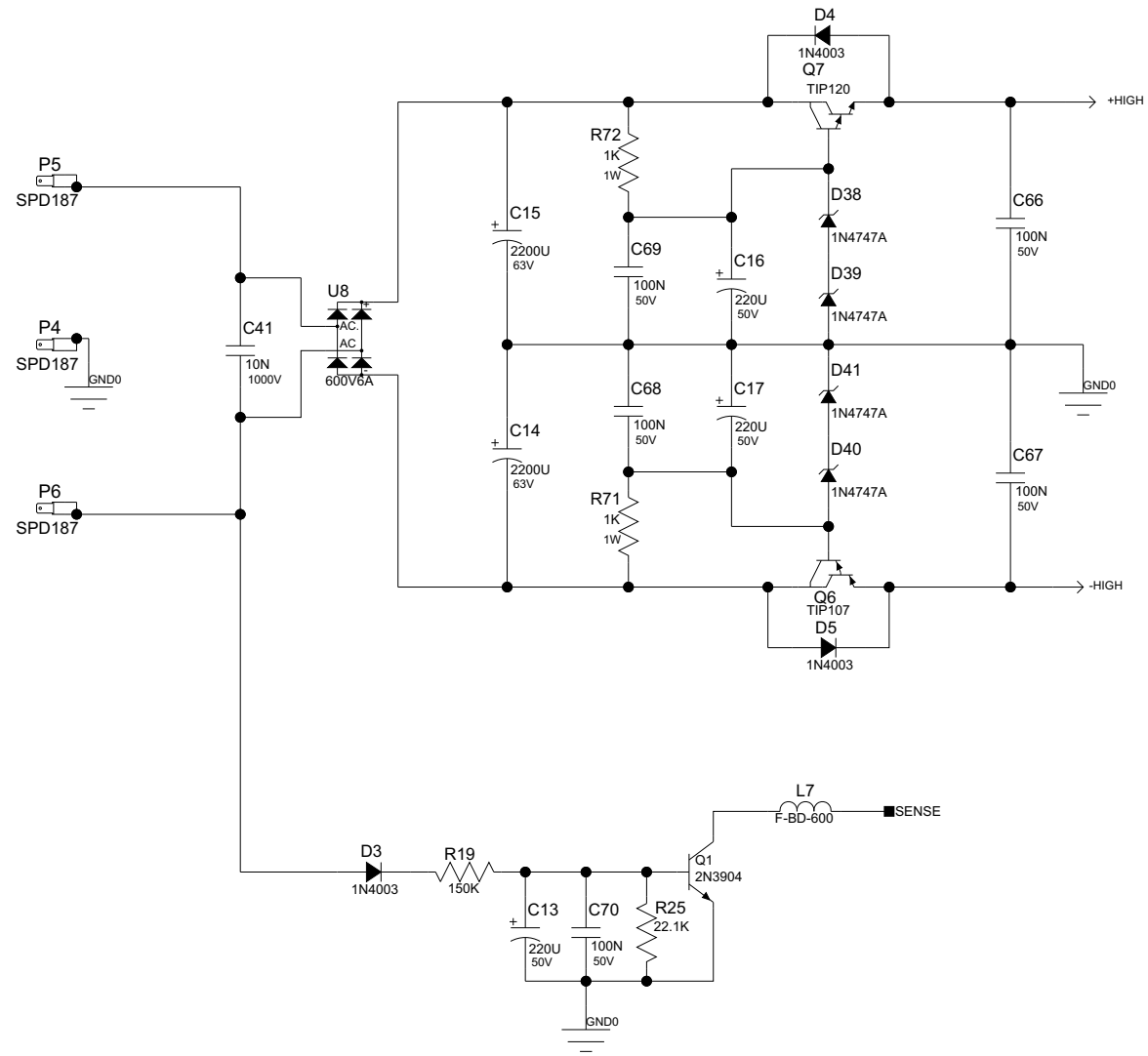
Title: MAX 115 POWER INPUT/LIMITER  
Sheet Title: MAX 115 POWER INPUT/LIMITER  
DESIGNED BY: Jim Hartman & Bobby Baldwin  
C Sheet 1 of 3 Date: 2-27-2012\_9:52



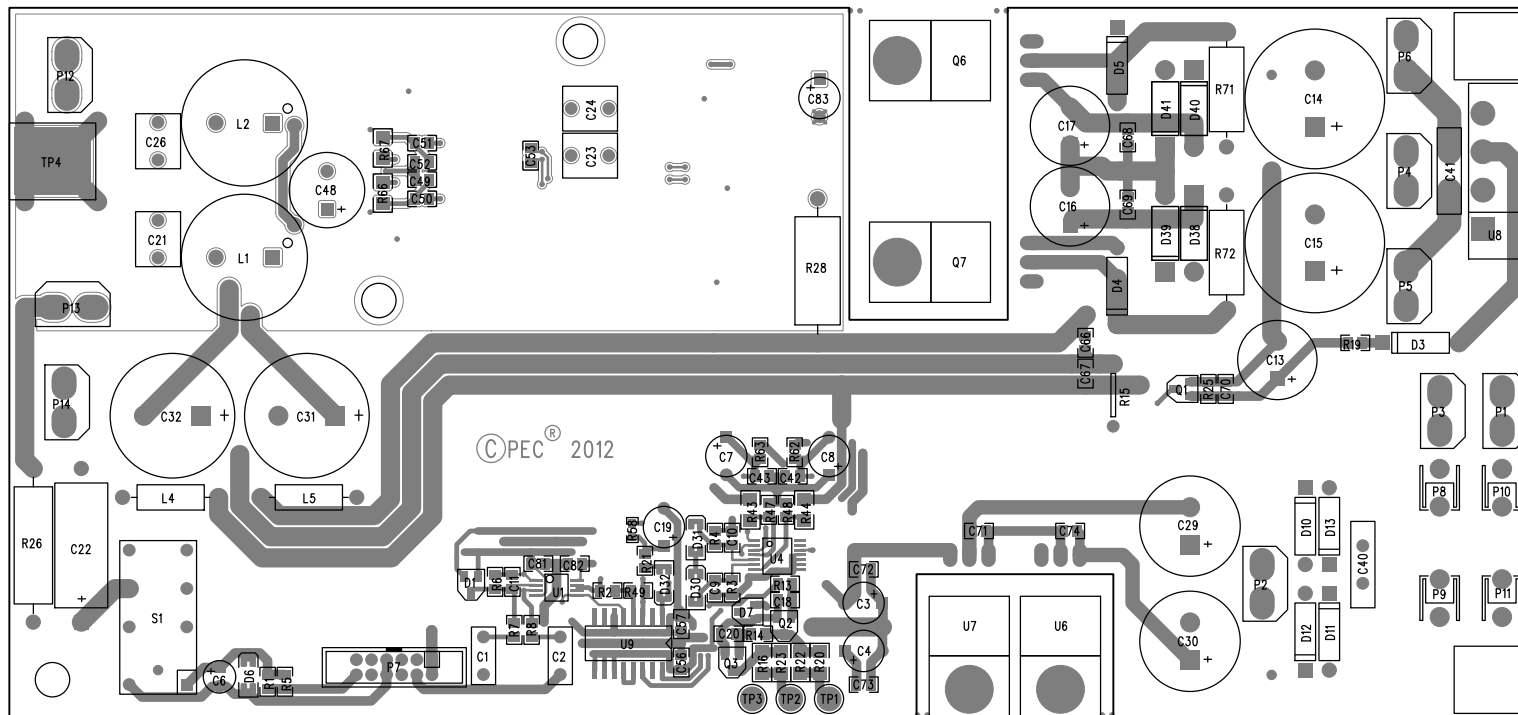
HW?  
MICA



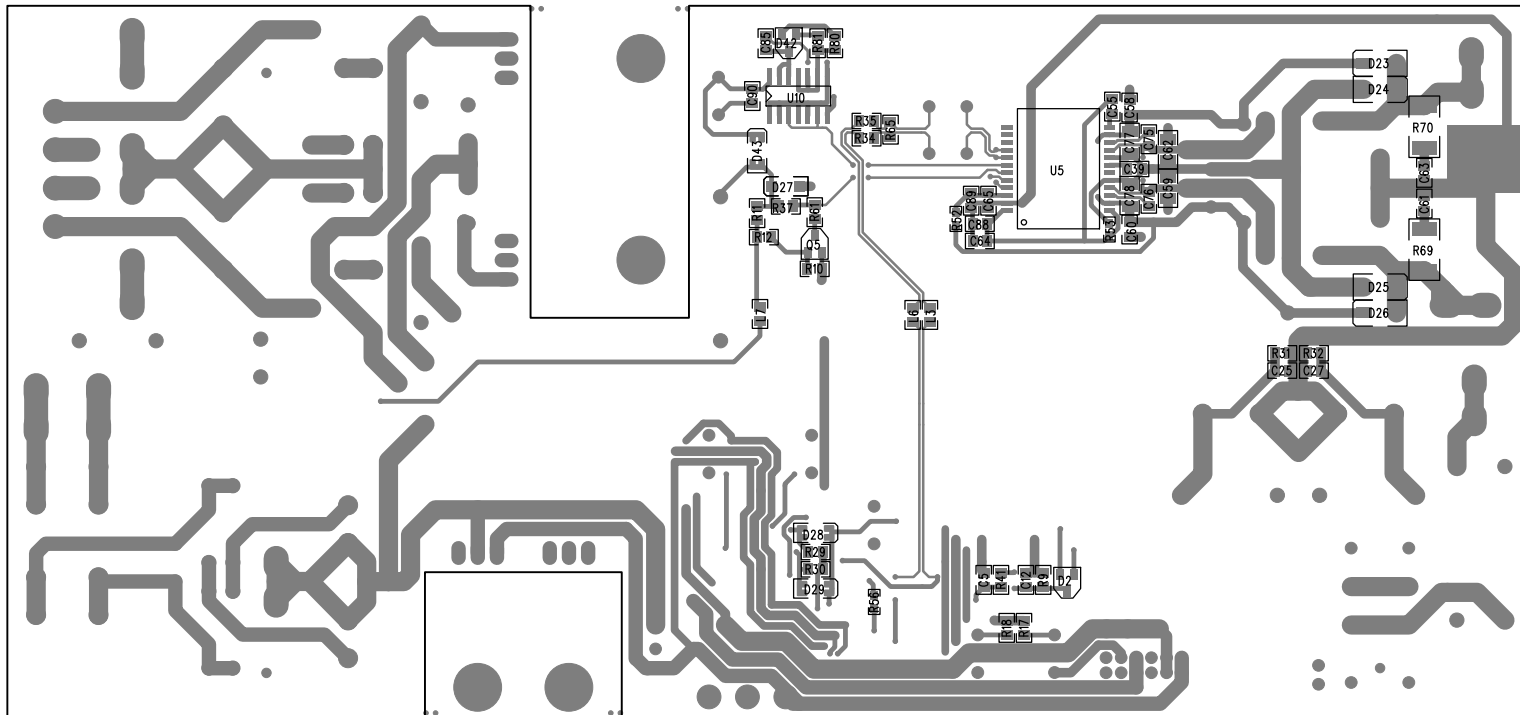
Title: **MAX 115 POWER AMPLIFIER**  
 Sheet Title: **MAX 115 POWER AMPLIFIER**  
 DESIGNED BY: Jim Hartman & Bobby Baldwin  
 C Sheet 2 of 3 Date: 2-27-2012\_9:52



Title: **MAX\_115\_POWER**  
 Sheet Title: **POWER SUPPLY**  
 DESIGNED BY: Jim Hartman & Bobby Baldwin  
 C Sheet 3 of 3 Date: 2-27-2012\_9:52



MAX 115 PWRAMP - PRIMARY SIDE VIEW



MAX 115 PWRAMP - SECONDARY SIDE VIEW

BILL OF MATERIAL REPORT  
-----

REPORT DATE/TIME: 4/13/2012 3:05:31 PM

BOARD NAME: MAX 115 POWER AMP      ASSEMBLY LEVEL NUMBER: 32203690

PROJECT NUMBER: P1000098      DESIGNER: JTH-32101912A

Qty.	Part #	Description	Reference
Designators			
-----			
2	30200051	10K    1/4W    1% MF 1206	R43 R44
4	30200129	3.92K    1/4W    1% MF 1206	R16 R20 R22 R23
13	30200174	10K    1/10W    1% MF 0805	R2 R3 R4 R6 R7 R8 R9 R10 R11 R12 R13 R14 R65
1	30200188	1.00K    1/10W    1% MF 0805	R81
2	30200194	100K    1/10W    1% MF 0805	R31 R32
3	30200198	499    1/10W    1% MF 0805	R47 R48 R80
2	30200205	47.5K    1/10W    1% MF 0805	R17 R18
2	30200238	22                    1W    5% MF 2512	R69 R70
2	30200241	4.70            1/10W    1% MF 0805	R62 R63
2	30200246	332    1/10W    1% MF 0805	R1 R5
2	30200251	4.75K    1/10W    1% MF 0805	R29 R30
1	30200256	22.1K    1/10W    1% MF 0805	R25
2	30200286	10            1/10W    1% MF 0603	R52 R53
1	30200294	1K            1/10W    1% MF 0603	R58
1	30200305	30.1K    1/10W    1% MF 0603	R56
1	30200331	49.9K    1/10W    1% MF 0805	R41
2	30200348	10            1/4W    1% MF 1206	R66 R67

1	30200373	200	1/10W	1%	MF	0805	R49
1	30200376	12.1K	1/10W	1%	MF	0805	R21
1	30200408	2.87K	1/10W	1%	MF	0805	R61
1	30200538	150K	1/10W	1%		0805	R19
3	30200545	5.62K	1/10W	1%		0805	R34 R35 R37
2	30210000	1K	1W	5%	MO	AXL	R71 R72
1	30210122	1.5K	3W	5%	MO	T&R	R28
1	30250080	100	2W	5%	MO	AXL	R26
2	30300088	100PF	50V	5%	NPO	0805	C11 C12
6	30300089	220PF	50V	5%	NPO	0805	C49 C50 C51 C52 C53 C55
28	30300093	0.1UF	50V	10%	X7R	0805	C9 C10 C18 C20 C25 C27 C42 C43 C56 C57 C58 C60 C64 C65 C66 C67 C68 C69 C70 C71 C72 C73 C74 C81 C82 C88 C89 C90
1	30300147	680PF	50V	5%	NPO	0805	C85
2	30300154	0.015UF	50V	10%	X7R	0805	C75 C76
1	30300159	68PF	50V	5%	NPO	0805	C5
2	30300249	0.1UF	100V	20%	X7R	0805	C61 C63
1	30300320	470NF	50V	10%	X7R	0805	C39
4	30300334	0.1UF	100V	10%	X7R	1206	C59 C62 C77 C78
2	30320099	0.01UF	1000V	80-20%	Z5U		C40 C41
1	30320105	0.047UF	400V	10%	PES	AXL	C22
1	30320144	10UF	35V	20%	EL	RADH	C6
2	30320181	22UF	50V	20%	EL	RAD	C7 C8
2	30320186	1000UF	35V	20%	EL	RAD	C29 C30
3	30320187	220UF	50V	20%	EL	RAD	C13 C16 C17

2	30320319	2200UF 50V 20% EL RADH	C31 C32
4	30320344	47UF 35V 20% EL RAD	C3 C4 C19 C83
1	30320704	47UF 100V 20% ELS RAD	C48
2	30320711	2200UF 63V 20% EL RADH	C14 C15
2	30330113	0.1UF 100V 10% PPS RAD	C1 C2
4	30330159	0.47UF 63V 5% PES RAD	C21 C23 C24 C26
1	30400318	7815F +15V INS TO-220F HOR	U6
1	30400319	7915 -15V INS TO-220F HOR	U7
1	30400605	BR RECT INLINE 600V 6A	U8
1	30400800	TIP-120 NPN DARL PWR TRAN	Q7
1	30402153	TIP-107 PNP DARL T0220	Q6
4	30404747	1N4747A 20V, 1W ZENER, 5%	D38 D39 D40 D41
7	30418026	1N4148 (LL34) DIODE SMT	D6 D28 D29 D30 D31 D32 D43
1	30418042	74HCT00 4- 2IN NAND SO14	U10
2	30418135	2N3904 NPN SOT23	Q1 Q5
1	30418231	NJM13700 DUAL OTA SMT	U9
4	30418261	1N4003 - SMT - SMA PKG	D23 D24 D25 D26
2	30418369	2N7002E N CH 60V MOSFET	Q2 Q3
1	30418546	5.6V ZENER (SOD123)-SMT	D27
1	30418649	LM339 QUAD COMPARATOR TSSOP	U4
4	30418655	BAV99L DUAL 4148 DIODE SO	D1 D2 D7 D42
1	30418836	NJM4580 DUAL OPAMP SSOP8	U1
1	30418904	TDA8954 CLASS D POWER AMP	U5
7	30464003	1N4003 200V 1A SI DIODE	D3 D4 D5 D10



			D11 D12 D13
3	30500927	FERRITE CHIP SMT 600OHM 0.2A	L3 L6 L7
2	30502122	FERRITE BEAD INDUCTOR T&R	L4 L5
2	30504103	22UH, 5A INDUCTOR	L1 L2
1	30600136	0 OHM 22GA JMPR AXL	R15
4	30901714	FUSE CLIP, 5 X 20MM -T&A	P8 P9 P10 P11
1	31322277	RELAY 12V DPDT .5A	S1
9	33716905	SPADE .187" PC MNT T&R	P1 P2 P3 P4 P5 P6 P12 P13 P14
1	33717360	12 HDR V DR 2MM GOLD	P7

-----  
 END OF BILL OF MATERIAL REPORT  
 -----