



Service Manual

Created: 10 November 2017



KM750

Professional 750-Watt Stereo Power Amplifier with ATR (Accelerated Transient Response)

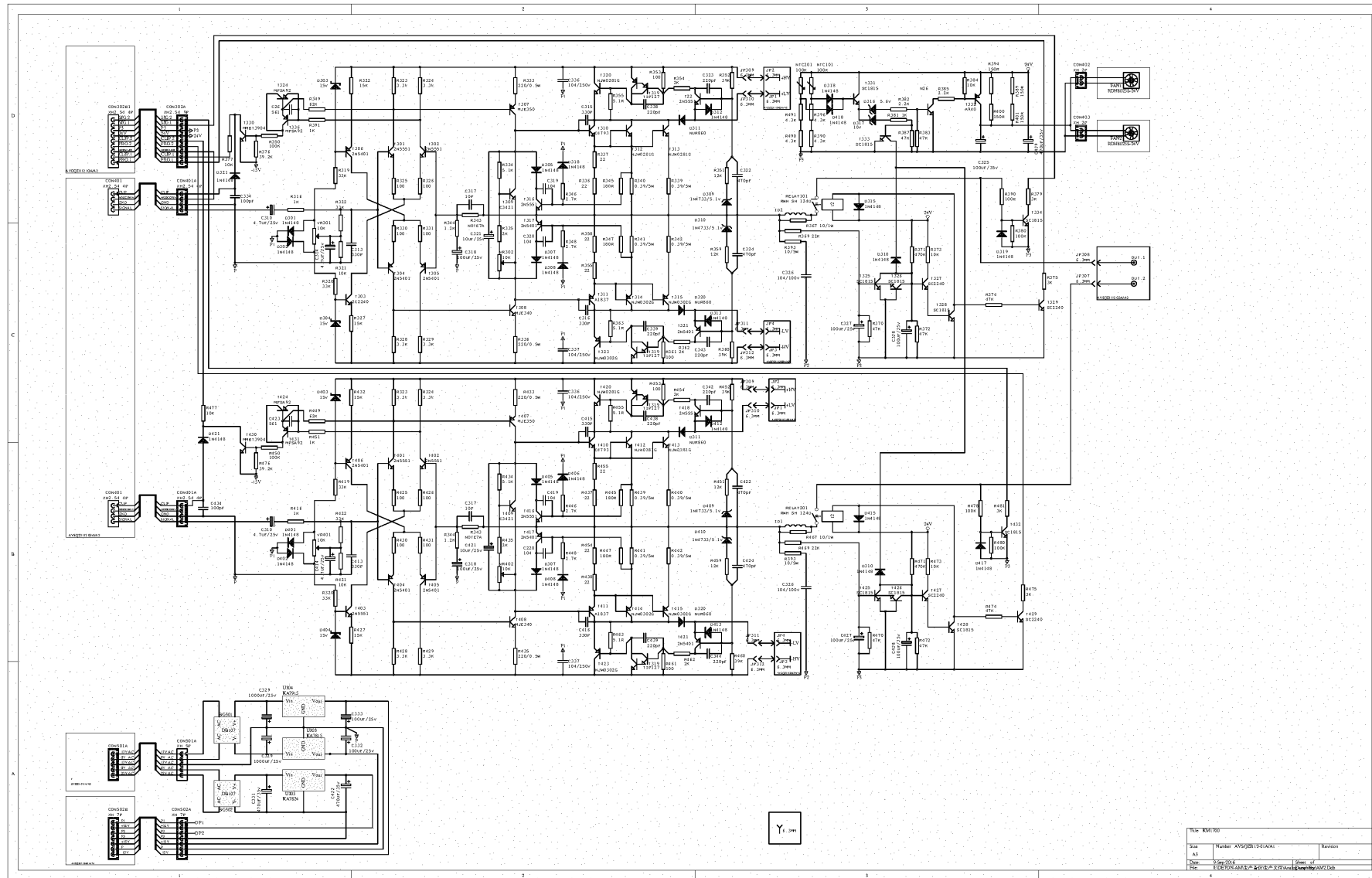
Specifications	2
PCB Schematic	3
Parts List	10

© 2017 MUSIC Group IP Ltd. All third party trademarks mentioned belong to their respective owners and are not affiliated with MUSIC Group IP Ltd. All information (including drawings and diagrams) contained in this document is the property of MUSIC Group IP Ltd., its subsidiaries or content providers, and is protected by intellectual property (copyright, trademark, patents, etc) laws, international treaty provisions and other laws. Any unauthorized disclosure, use, application, reproduction, modification, lease, sale, transmission or any other dealings in the information may violate applicable laws and result in civil and/or (where applicable) criminal liabilities and penalties.

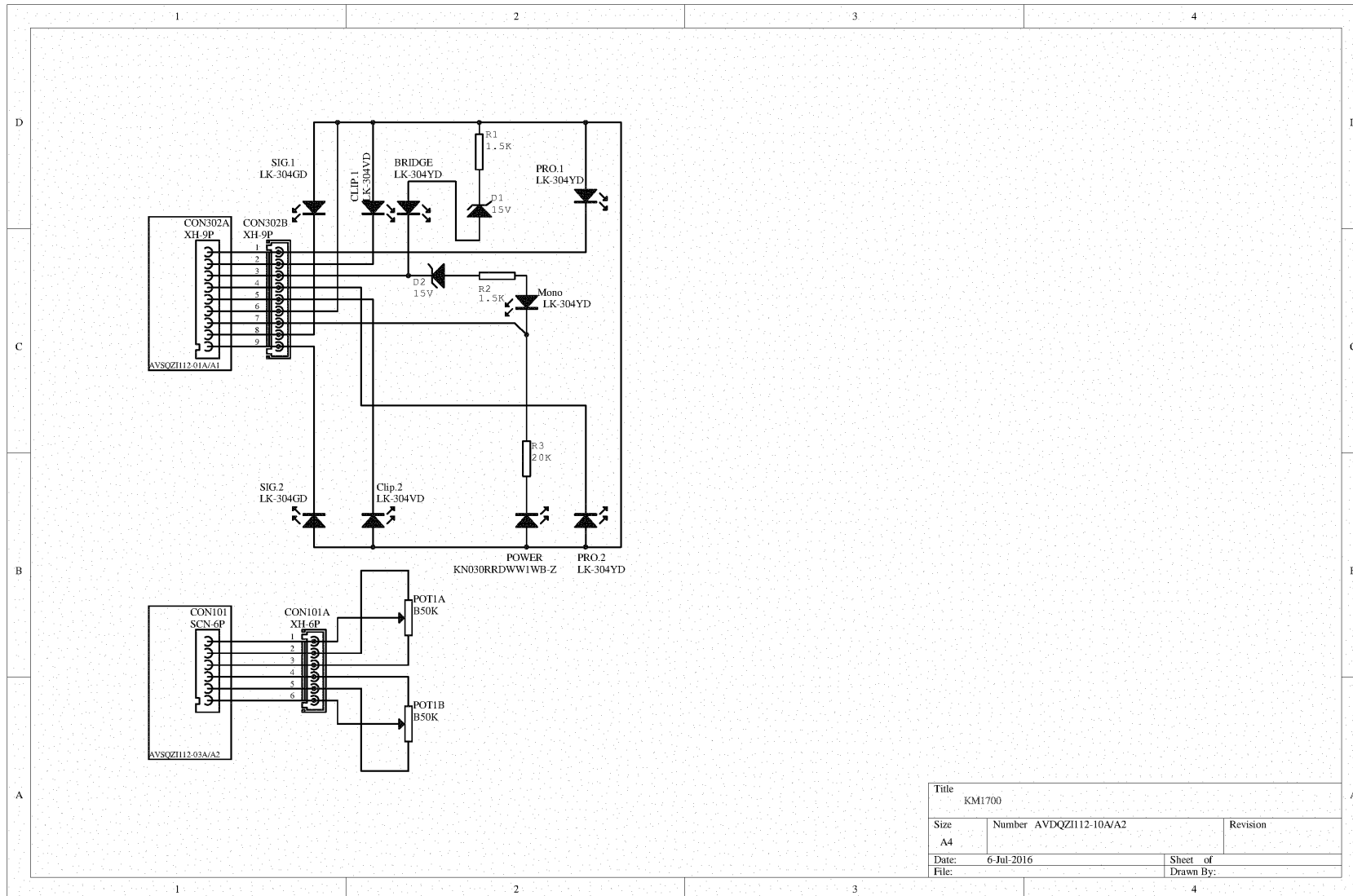
KM750

Specifications

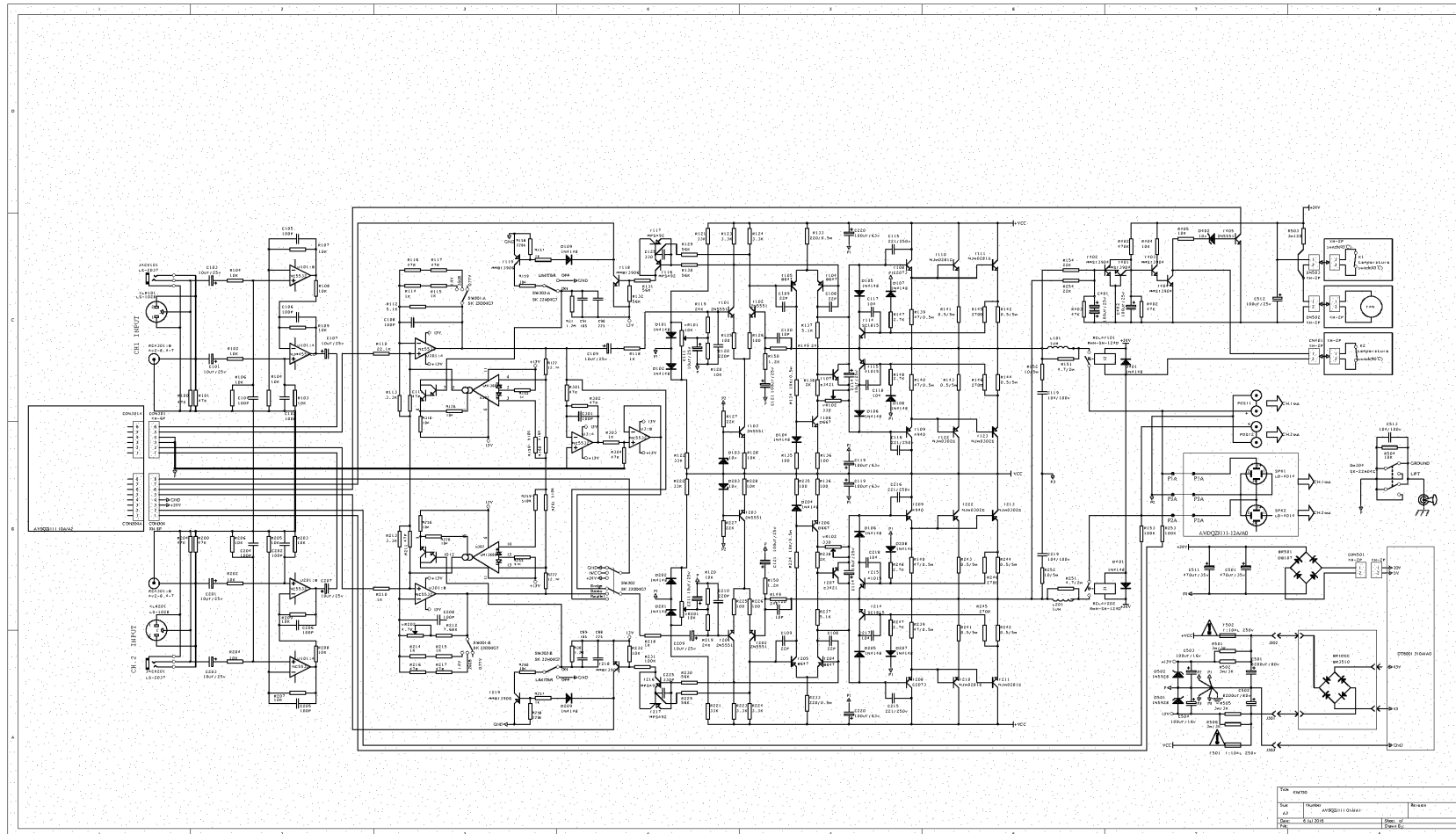
- 2 x 400 Watts into 4 Ohms; 2 x 200 Watts into 8 Ohms; 750 Watts into 8 Ohms (bridge mode)
- ATR (Accelerated Transient Response) technology for ultimate punch and clarity
- Switchable limiters offer maximum output level with reliable overload protection
- Precise power, signal and clip LEDs to monitor performance
- XLR, 1/4" TRS and RCA input connectors for compatibility with any source
- Professional speaker connectors and "touch-proof" binding posts support most speaker wiring systems
- Independent DC and short circuit protection on each channel automatically protects amplifier and speakers
- High-current toroidal transformer for ultra-high transient response and absolute reliability
- Active cooling on heatsink
- "Built-like-a-tank" impact-resistant, all-steel 2U rackmount chassis
- 3-Year Warranty Program*
- Designed and engineered in Germany

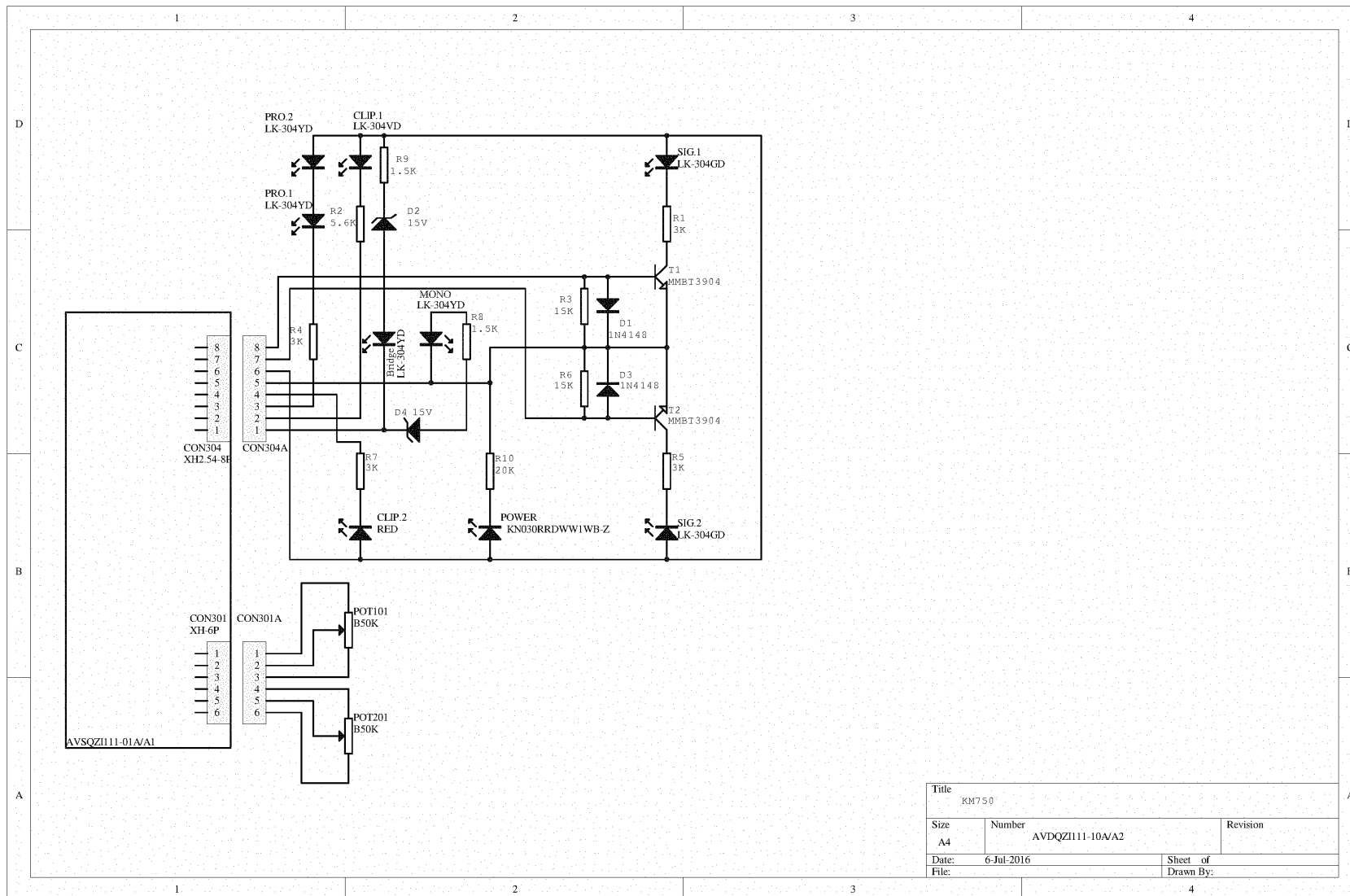


Titl	KM750		
Size	Number	AY5001231(A)	Revision
Drawn	1992/04		
File	E:\WORK\AM512\PCB\KM750\KM750.DOC		



Title		
KM1700		
Size	Number	Revision
A4	AVDQZI112-10/A2	
Date:	6-Jul-2016	Sheet of
File:		Drawn By:





Title		
KM750		
Size	Number	Revision
A4	AVDQZ1111-10/A2	
Date:	6-Jul-2016	Sheet of
File:		Drawn By:

Service Assemblies

	Quantity	Unit	S.Sku	M.Sku	Description	Reference Designators	Notes
1			Q31-00001-61081	A31-00001-61081	OEM;FAN;BRUSHLESS;TD902524HS-S0-GP;B.S.B.A.0900002	[EXTRA SPARE]	
2			Q33-00001-61192	A33-00001-61192	OEM;MISCELLANEOUS;POBRI MAIN ASSEMBLY PCBA01;Y.Z.I111.01A	[EXTRA SPARE]	
3			Q33-00001-61194	A33-00001-61194	OEM;MISCELLANEOUS;POBRI CONTROL ASSEMBLY PCBA03;Y.Z.I111.10A	[EXTRA SPARE]	
4			Q33-00001-61196	A33-00001-61196	OEM;MISCELLANEOUS;POBRI SPEAKON OUTPUT ASSEMBLY PCBA04;Y.Z.I111.11A	[EXTRA SPARE]	
5			Q33-00001-61193	A33-00001-61193	OEM;MISCELLANEOUS;POBRI MAINS INPUT ASSEMBLY PCBA02;Y.Z.I111.09A	[EXTRA SPARE]	

Cable

	Quantity	Unit	S.Sku	M.Sku	Description	Reference Designators	Notes
1			Q81-00001-61197	A81-00001-61197	OEM;WIRE HARNESS;LENGTH:400 MM;AWG:26;UL2468;PITCH:2.54 MM;POLES:8;FLAT CABLE;BGB-0408-26-0400;B.G.B.0408260400	[EXTRA SPARE]	
2	1.0000	PC	Q76-15032-55649	A76-15032-55649	CABLE;AC-CORD;CLASS II;W/POLYBAG;JAPAN;LENGTH:150cm;POLES:3;APPROVAL:PSE;JS155 3 + VCTF 3x0.75mm2 + V1528		(JPSH, JPMG)
3	1.0000	PC	Q76-15042-05624	A76-15042-05624	CABLE;AC-CORD;W/POLYBAG;LENGTH:150cm;H05VV-F3G0.75MM2;VERSION;UK;SPEC.NO:05624		(UK)
4	1.0000	PC	Q76-18050-47490	A76-18050-47490	CABLE;AC-CORD;LENGTH:180cm;VERSION:SAA;PLUG:HE105 ISOLATED;SAA H05VV-F 3x0.75mm2;CONN.HP-3;SPEC.NO:47490		(SAA)
5	1.0000	PC	Q76-15222-06417	A76-15222-06417	CABLE;AC-CORD;W/POLYBAG;LENGTH:152cm;AWG:18;VERSION;UL;SPEC.NO:0 6417		(UL)
6	1.0000	PC	Q76-00000-05305	A76-00000-05305	CABLE;AC-CORD;3;BR;1500 MM;Plug + Connector:375+730;H05VV-F 3G0.75		(BR)
7	1.0000	PC	Q76-15212-03119	A76-15212-03119	CABLE;AC-CORD;W/POLYBAG;LENGTH:152cm;H05VV-F 3G 0.75MM2;VERSION;EU;SPEC.NO:03119		(EU)
8	1.0000	PC	Q76-00000-13573	A76-00000-13573	CABLE;AC-CORD;3;AR;1500 MM;Plug + Connector:321+730;H05VV-F 3G0.75		(AR)

Connector

	Quantity	Unit	S.Sku	M.Sku	Description	Reference Designators	Notes
1			R95-00001-61064	B95-00001-61064	OEM;CONNECTOR;XLR;POLES:3;XLR SOCKETS;CT3-12FAP-EP;A.K.G.W.0020007	[EXTRA SPARE]	
2			R80-00001-61069	B80-00001-61069	OEM;SPEAKON;SPEAKON SOCKET;HP-01-EP;A.K.S.L.0000010	[EXTRA SPARE]	

Led

	Quantity	Unit	S.Sku	M.Sku	Description	Reference Designators	Notes
1			U10-00001-61077	E10-00001-61077	OEM;LED HIB;3mm0 ROUND;GREEN;LED (GREEN);NO RING;304GD/06;A.A.P.0003.G105	[EXTRA SPARE]	
2			U10-00001-61074	E10-00001-61074	OEM;LED HIB;3mm0 ROUND;YELLOW;LED (YELLOW);NO RING;304YD/06;A.A.P.0003.Y104	[EXTRA SPARE]	
3			U10-00001-61076	E10-00001-61076	OEM;LED HIB;3mm0 ROUND;RED;LED (RED);NO RING;304VD/06;A.A.P.0003.R102	[EXTRA SPARE]	
4			U10-00001-61078	E10-00001-61078	LED HIB;3mm0 ROUND;WHITE;OEM;LED (WHITE);NO RING;KN030RRDWW1WB-Z;A.A.P.0003.W309	[EXTRA SPARE]	

Plastic Part

	Quantity	Unit	S.Sku	M.Sku	Description	Reference Designators	Notes
1			W52-00001-64901	G52-00001-64901	PLASTIC;KNOB;POBRI;ABS	[EXTRA SPARE]	
2			W57-00001-64900	G57-00001-64900	PLASTIC STACK;TERMINAL;POBRI;ABS;PLASTIC;RED BLACK;WIRING TERMINAL	[EXTRA SPARE]	

Plug Socket

	Quantity	Unit	S.Sku	M.Sku	Description	Reference Designators	Notes
1			W67-00001-61070	G67-00001-61070	OEM;SOCKET;POLES:3;AC POWER SOCKET;RF-2004-6.3C;A.K.D.L.0000011	[EXTRA SPARE]	
2			W64-00001-61067	G64-00001-61067	OEM;PLUG;JACK;POLES:6;PITCH:6.35 MM;JACK SOCKET (1/4");LS-2037;A.K.M.W.0000014	[EXTRA SPARE]	
3			W68-00001-61066	G68-00001-61066	OEM;PLUG;RCA;POLES:3;JACK SOCKET (PHONO); RCA-207-EP-01;A.K.L.W.0020006	[EXTRA SPARE]	

Power Supply

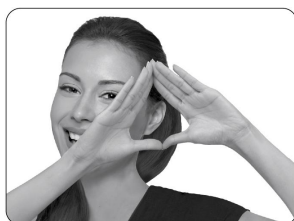
	Quantity	Unit	S.Sku	M.Sku	Description	Reference Designators	Notes
1			Z68-00001-61080	J68-00001-61080	OEM;TRAF0;TOROIDAL;POBRI;MAINS TRANSFORMER;DT6001-310A/A1;A.B.Y.A.F411101	[EXTRA SPARE]	

Potentiometer

	Quantity	Unit	S.Sku	M.Sku	Description	Reference Designators	Notes
1			Y03-00001-61072	I03-00001-61072	OEM;POTENTIOMETER;50 kohm;0W125;TAPER:B;20 %;MONO;PITCH:5 MM;RV16AF-30-25K-B50K-3F;A.W.5C.A.503AD31G1;41CC;METAL;SHAFT 25MM;	[EXTRA SPARE]	

Switch

	Quantity	Unit	S.Sku	M.Sku	Description	Reference Designators	Notes
1			Y84-00001-61060	I84-00001-61060	OEM;SWITCH;ROCKER;2P;1T;LOCKING;NONSHORT;4L;ON/OFF POWERSWITCH;RF-1004-NBBG8G1X;A.H.DS.0000027	[EXTRA SPARE]	



We Hear You