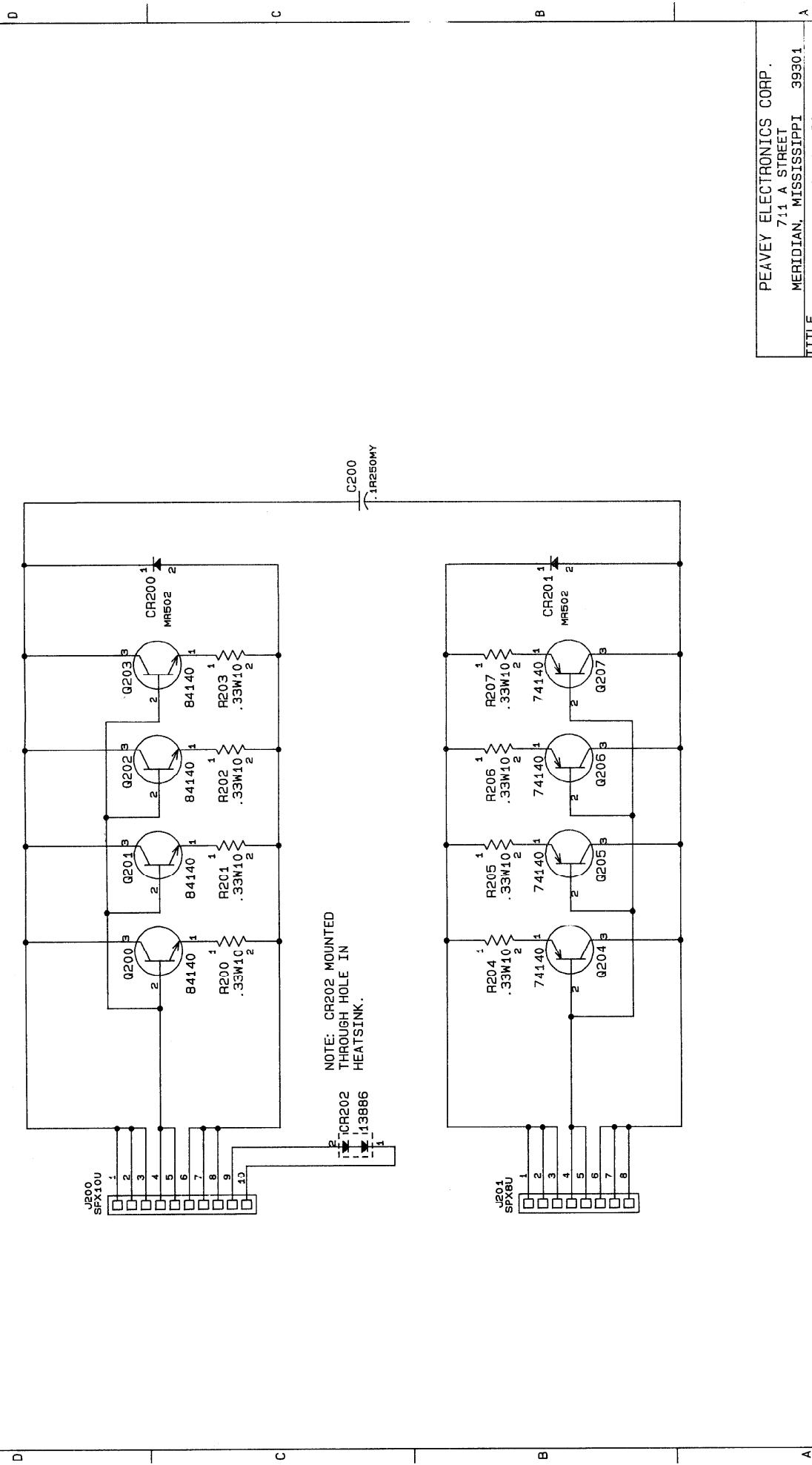


REV	1
NO.	1
DATE	12-28-58
SIZE	10 1/2" X 14 1/2"
CODE NUMBER	81500320
TITLE	400BL MOBILE DRIVE BOARD
DESIGNER	CH 88551500
DRAWN	
CHECKED	
APPROVED	
DATE	
BY	
REV	

1 2 3 4 5 6 7 8



PEAVEY ELECTRONICS CORP.		711 A STREET	
MERIDIAN, MISSISSIPPI		39301	
TITLE 400BJ POWER BOARD			
CB# 98851490			
SIZE	CODE	NUMBER	
B		81505320	*
PRINT			
DATE	16-SEP-92	SHEET	1 OF 1

1 2 3 4 5 6 7 8

400 BJ MODULE

DRIVE BD.

NAME	VALUE	NUMBER	DESCRIPTION
C100	22A25	70320012	22 MFD 25VDC LYT. CAP. T&R
C101	.1	70340100	.1 MFD +80-20LV AX.LP.T&R
C102	2.2NP	70320010	2.2 MFD 50V VDC N/PCAPT&R
C103	39PF	70340052	39PF 50V TUB CER T&R
C104	100PF	70340054	100PF 10% 50V TUB CER T&R
C105	22A25	70320012	22 MFD 25VDC LYT. CAP. T&R
C106	2.2A35	70320200	2.2MFD 35VDC LY.CAP T&R
C107	2.2A35	70320200	2.2MFD 35VDC LY.CAP T&R
C108	10PF	70340050	10 PF 5% TUB.CER.T&R
C109	.22R100	70330007	.22 MFD 100VDC 5% MYLAR
C110	4700V63	70320120	4700UF/63 VOLT PC MNT CAP
C111	.1	70340100	.1 MFD +80-20LV AX.LP.T&R
C112	4700V63	70320120	4700UF/63 VOLT PC MNT CAP
C113	10A16L	70320198	10 MFD LOW LEAKAGE C. * T&R
C114	2.2A35	70320200	2.2MFD 35VDC LY.CAP T&R
C115	2.2NP	70320010	2.2 MFD 50V VDC N/PCAPT&R
C116	.1R250MY	70320096	.1 MFD 250 VDC MYLAR CA/BR
C117	.1	70340100	.1 MFD +80-20LV AX.LP.T&R
C118	100PF	70340054	100PF 10% 50V TUB CER T&R
C119	.1	70340100	.1 MFD +80-20LV AX.LP.T&R
C120	22A25	70320012	22 MFD 25VDC LYT. CAP. T&R
C121	10PF	70340050	10 PF 5% TUB.CER.T&R
C122	22A25	70320012	22 MFD 25VDC LYT. CAP. T&R
C123	22A25	70320012	22 MFD 25VDC LYT. CAP. T&R
C124	.1	70340100	.1 MFD +80-20LV AX.LP.T&R
C125	1000R35	70320122	1000 MFD 35VDC R/M 22.5MM
C126	.01CER	70320099	.01MFD 1000VDC CD-UNCUT
C127	22A25	70320012	22 MFD 25VDC LYT. CAP. T&R
C128	.1	70340100	.1 MFD +80-20LV AX.LP.T&R
C129	1000R35	70320122	1000 MFD 35VDC R/M 22.5MM
C130	.01CER	70320099	.01MFD 1000VDC CD-UNCUT
C131	.1R250MY	70320096	.1 MFD 250 VDC MYLAR CA/BR
C132	.1R250MY	70320096	.1 MFD 250 VDC MYLAR CA/BR
CR100	1N4003	70464003	1N4003 200V SILICON DIODE
CR101	1N4744	70440102	SZG40102 15V 5% ZENER DIO
CR102	1N4148	70464148	1N4148 75V 10MA SILICON DIODE
CR103	1N4148	70464148	1N4148 75V 10MA SILICON DIODE
CR104	1N4148	70464148	1N4148 75V 10MA SILICON DIODE
CR105	1N4148	70464148	1N4148 75V 10MA SILICON DIODE
CR106	1N4148	70464148	1N4148 75V 10MA SILICON DIODE
CR107	1N4148	70464148	1N4148 75V 10MA SILICON DIODE
CR108	1N4148	70464148	1N4148 75V 10MA SILICON DIODE
CR109	1N4148	70464148	1N4148 75V 10MA SILICON DIODE
CR110	MR752CD	70400752	MR-752/P600D 200V,6A SLD
CR111	MR752CD	70400752	MR-752/P600D 200V,6A SLD
CR112	1N4744	70440102	SZG40102 15V 5% ZENER DIO
CR113	MR752CD	70400752	MR-752/P600D 200V,6A SLD
CR114	MR752CD	70400752	MR-752/P600D 200V,6A SLD
CR115	1N4148	70464148	1N4148 75V 10MA SILICON DIODE
CR116	SAC187	70400187	SAC 187 200V TO 220 TRI
CR117	SBS14	70400014	SBS14 8V TO-92 BI-DIR SW
CR118	1N4744	70440102	SZG40102 15V 5% ZENER DIO
CR119	1N4148	70464148	1N4148 75V 10MA SILICON DIODE
CR120	1N4148	70464148	1N4148 75V 10MA SILICON DIODE
CR121	1N4148	70464148	1N4148 75V 10MA SILICON DIODE
CR122	1N4148	70464148	1N4148 75V 10MA SILICON DIODE
CR123	13886	70413886	S2-13886-2 DUAL DIODE SEL
CR124	1N4003	70464003	1N4003 200V SILICON DIODE
CR125	1N4744	70440102	SZG40102 15V 5% ZENER DIO
CR126	1N4003	70464003	1N4003 200V SILICON DIODE
CR127	1N4003	70464003	1N4003 200V SILICON DIODE
CR128	1N4003	70464003	1N4003 200V SILICON DIODE
CR129	1N4148	70464148	1N4148 75V 10MA SILICON DIODE
CR130	1N4003	70464003	1N4003 200V SILICON DIODE
CR131	1N4148	70464148	1N4148 75V 10MA SILICON DIODE
CR132	1N4003	70464003	1N4003 200V SILICON DIODE
CR133	1N4003	70464003	1N4003 200V SILICON DIODE
F1	1ASB	70900379	1 AMP SLOW BLOW FUSE
F2	1ASB	70900379	1 AMP SLOW BLOW FUSE
L1	.8UH	70519917	.8UH AIR CORE COIL/CS1200
Q100	5331	70405331	SJE-5331 120V CASE-77 NPN
Q101	J174	70400174	J174 30V TO 90 P CHAN FET
Q102	6531	70406531	MPS-6530/31 TO-92 NPN TRANS
Q103	6534	70406533	MPS-6533/34 TO-92 PNP TRANS
Q104	5332	70405332	SJE-5332 120V, CASE-77 PNP
Q105	7815T220	70400340	7815 15V 1A POS TO-220 RG

Q106	7915T220	70400320	7915 15V 1A NEG TO 220 RG
R100	2.7KW1	70210016	2700-1W-10%-MO-T&R
R101	1.5K	70240018	1500-1/4W-5%-CF-T&R
R102	33K	70240030	33K-1/4W-5%-CF-T&R
R103	47K	70240031	47K-1/4W-5%-CF-T&R
R104	22K	70240029	22K-1/4W-5%-CF-T&R
R105	15K	70240027	15K-1/4W-5%-CF-T&R
R106	100K	70240034	100K-1/4W-5%-CF-T&R
R107	1.82KP1	70241078	1.82K-1/4W-1%-CF-T&R
R108	1M	70240039	1M-1/4W-5%-CF-T&R
R109	33	70240004	33-1/4W-5%-CF-T&R
R110	10K	70240025	10K-1/4W-5%-CF-T&R
R111	6.8K	70240024	6800-1/4W-5%-CF-T&R
R112	100FP	70240096	100FP-1/4W-5%-FP-T&R
R113	180	70240012	180-1/4W-5%-CF-T&R
R114	330	70240014	330-1/4W-5%-CF-T&R
R115	47K	70240031	47K-1/4W-5%-CF-T&R
R116	5.6W5	70250026	5.6-5W-10%-WW-AXL
R117	2KW5	70250063	2K-5W-10%-WW-AXL
R118	470	70240015	470-1/4W-5%-CF-T&R
R119	.1W10	70250017	.1 OHM, 10W, 10%, WW AXIAL
R120	100	70240010	100-1/4W-5%-CF-T&R
R121	.1W10	70250017	.1 OHM, 10W, 10%, WW AXIAL
R122	470	70240015	470-1/4W-5%-CF-T&R
R123	5.6W5	70250026	5.6-5W-10%-WW-AXL
R124	2KW5	70250063	2K-5W-10%-WW-AXL
R125	47K	70240031	47K-1/4W-5%-CF-T&R
R126	10K	70240025	10K-1/4W-5%-CF-T&R
R127	330	70240014	330-1/4W-5%-CF-T&R
R128	6.8K	70240024	6800-1/4W-5%-CF-T&R
R129	100FP	70240096	100FP-1/4W-5%-FP-T&R
R130	10K	70240025	10K-1/4W-5%-CF-T&R
R131	1K	70240017	1K-1/4W-5%-CF-T&R
R132	100K	70240034	100K-1/4W-5%-CF-T&R
R133	2.7K	70240021	2700-1/4W-5%-CF-T&R
R134	1.5K	70240018	1500-1/4W-5%-CF-T&R
R135	1K	70240017	1K-1/4W-5%-CF-T&R
R136	15K	70240027	15K-1/4W-5%-CF-T&R
R137	1.5K	70240018	1500-1/4W-5%-CF-T&R
R138	22K	70240029	22K-1/4W-5%-CF-T&R
R139	2.7KW1	70210016	2700-1W-10%-MO-T&R
R140	1.82KP1	70241078	1.82K-1/4W-1%-CF-T&R
R141	47K	70240031	47K-1/4W-5%-CF-T&R
R142	4.7	70240002	4.7-1/4W-5%-CF-T&R
U1	4558	70404558	RC-4558,P DUAL BI-PKG 10
U2	13080	70413080	LM3080N CUSTOM SELECTED
U3	4558	70404558	RC-4558,P DUAL BI-PKG 10

POWER BD.

NAME	VALUE	NUMBER	DESCRIPTION
C200	.1R250MY	70320096	.1 MFD 250 VDC MYLAR CA/BR
CR200	MR502	70400502	MR502/1N5402 200V 3A SLD
CR201	MR502	70400502	MR502/1N5402 200V 3A SLD
CR202	13886	70413886	S2-13886-2 DUAL DIODE SEL
Q200	84140	70484140	SJ-84140 NPN 4A 140V TO-3
Q201	84140	70484140	SJ-84140 NPN 4A 140V TO-3
Q202	84140	70484140	SJ-84140 NPN 4A 140V TO-3
Q203	84140	70484140	SJ-84140 NPN 4A 140V TO-3
Q204	74140	70474140	SJ-74140 PNP 4A 140V TO-3
Q205	74140	70474140	SJ-74140 PNP 4A 140V TO-3
Q206	74140	70474140	SJ-74140 PNP 4A 140V TO-3
Q207	74140	70474140	SJ-74140 PNP 4A 140V TO-3
R200	.33W10	70250011	.33-10W-10%-WW-AXL
R201	.33W10	70250011	.33-10W-10%-WW-AXL
R202	.33W10	70250011	.33-10W-10%-WW-AXL
R203	.33W10	70250011	.33-10W-10%-WW-AXL
R204	.33W10	70250011	.33-10W-10%-WW-AXL
R205	.33W10	70250011	.33-10W-10%-WW-AXL
R206	.33W10	70250011	.33-10W-10%-WW-AXL
R207	.33W10	70250011	.33-10W-10%-WW-AXL