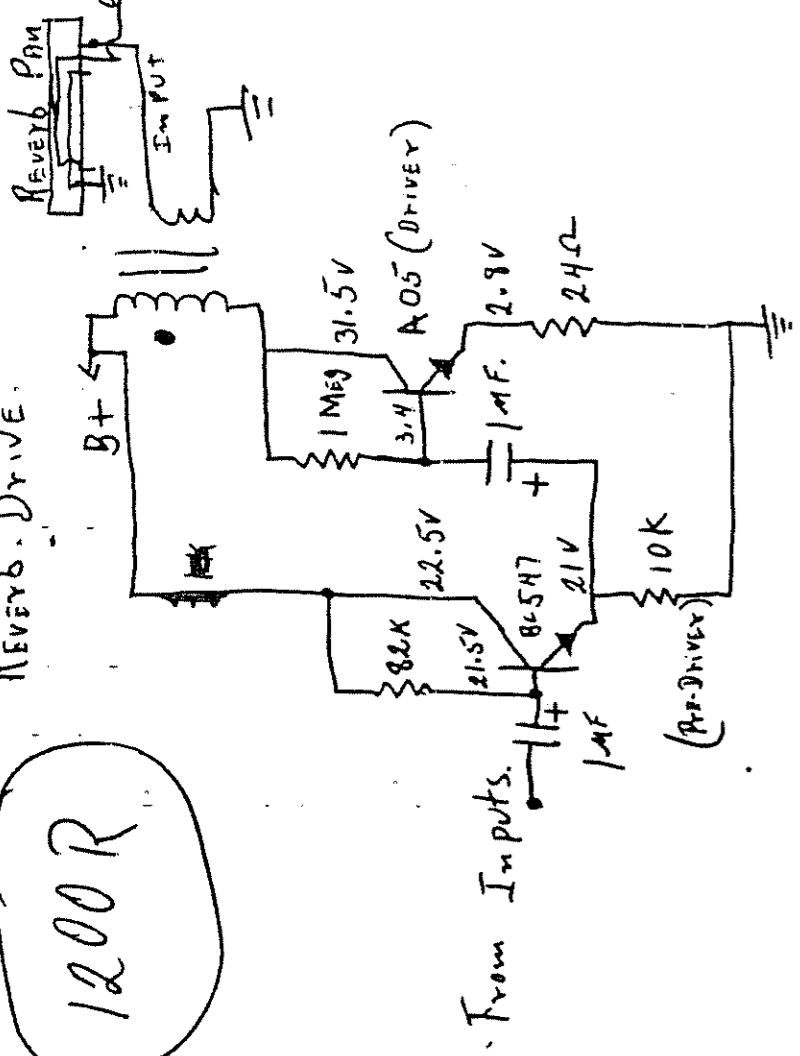


1200R

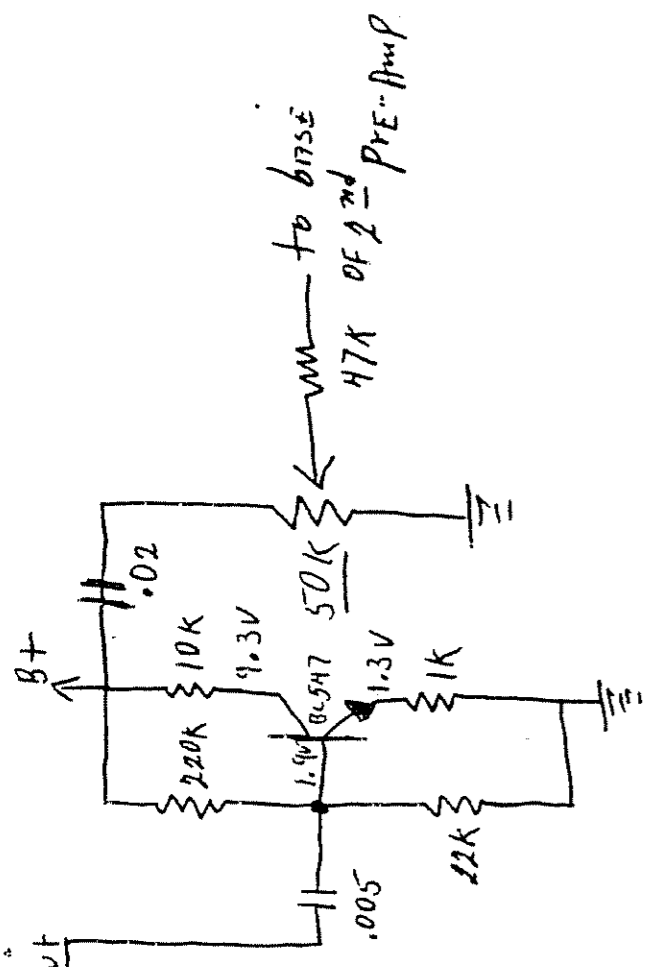
REVERB. DRIVE.



From Inputs.

(PRE-DRIVER)

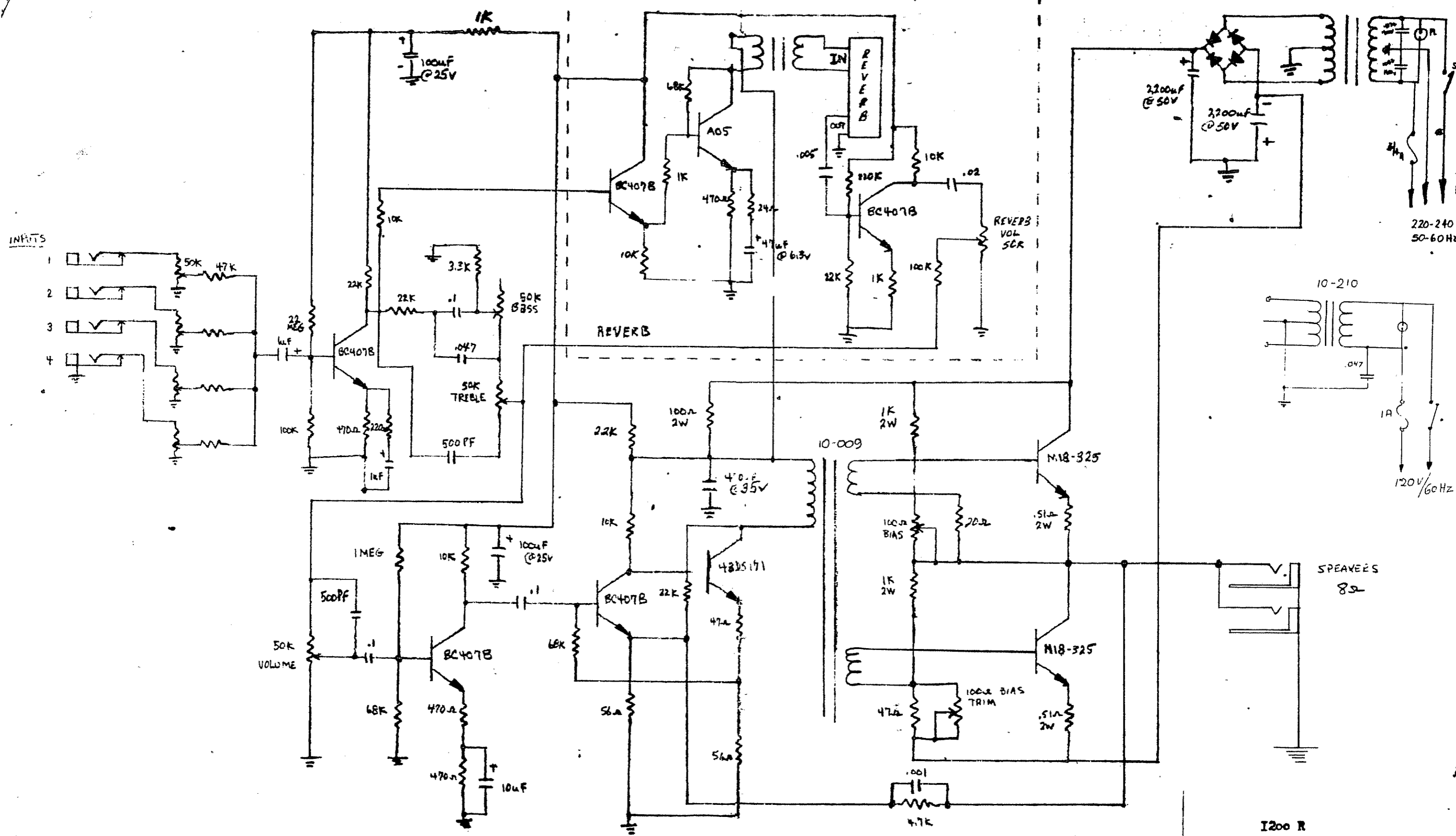
REVERB AMP.



REV. PAN 3.5  $\Omega$  } REVERB PAN ITSELF  
INPUT @ 11 1500  $\Omega$  }

- 1 Look For Broken Wires
- 2 Cold Solder Joints

INPTS



1200 R