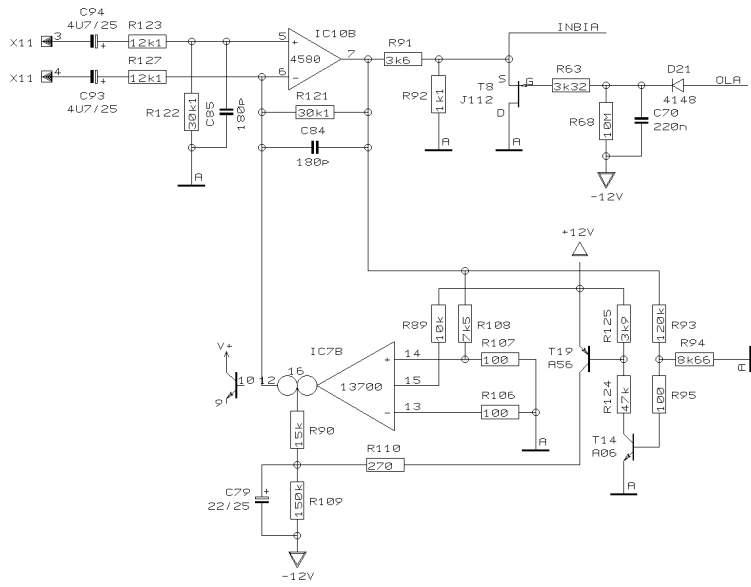
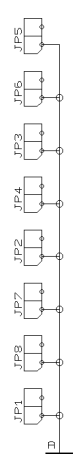
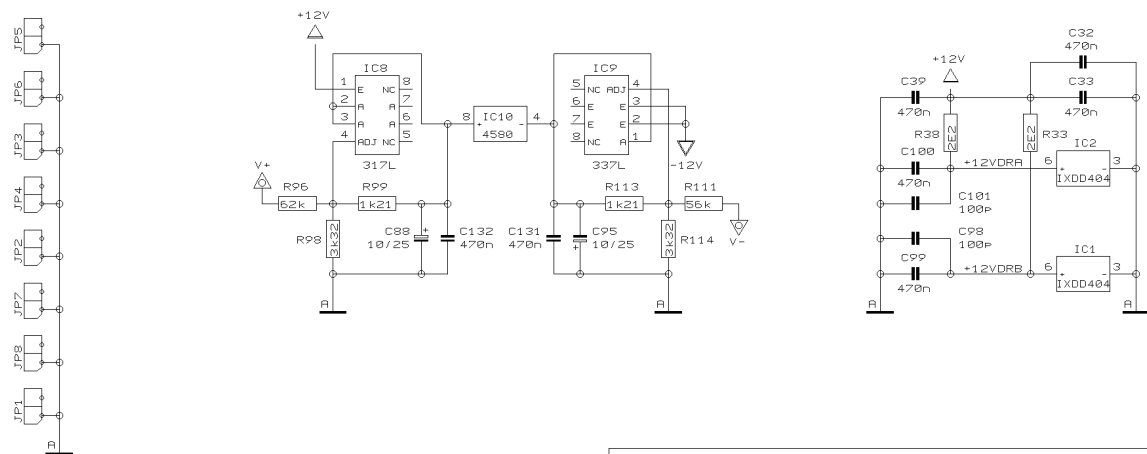
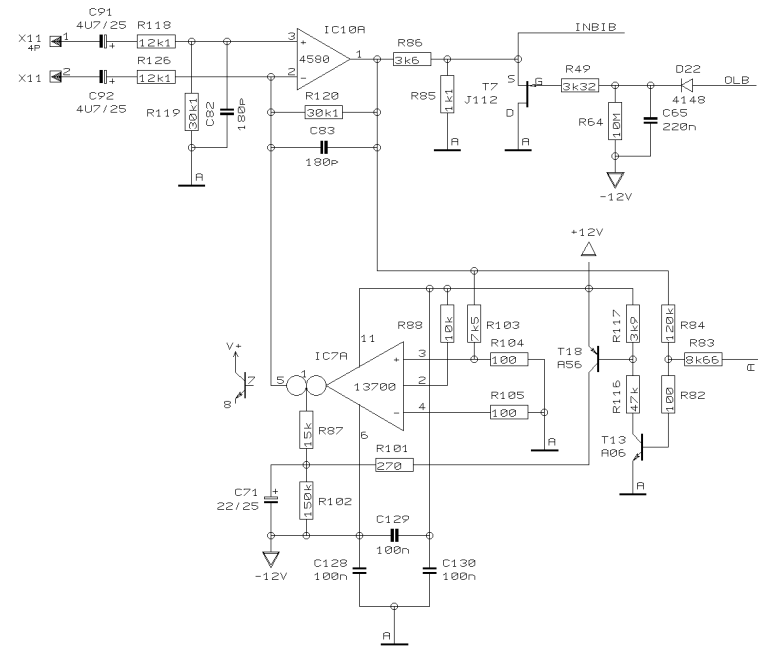


INPUT A



INPUT B

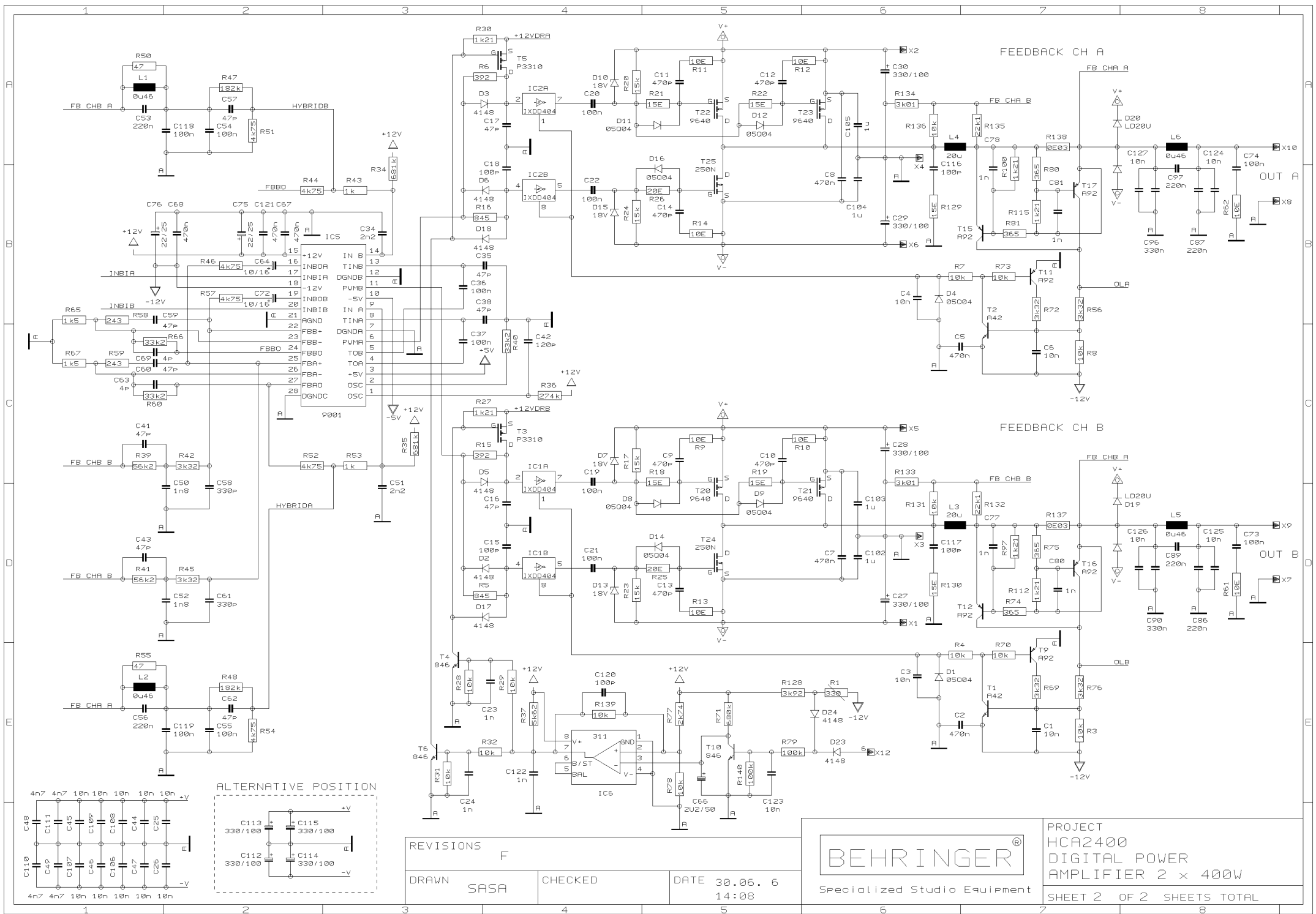


REVISIONS F (08/05/06)

DRAWN SASA CHECKED DATE 30.06. 6 14:08



PROJECT HCA2400
DIGITAL POWER AMPLIFIER 2 x 400W
SHEET 1 OF 2 SHEETS TOTAL



REVISIONS
F

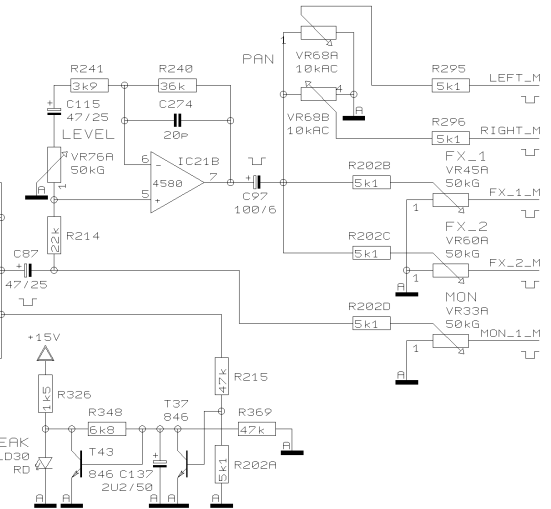
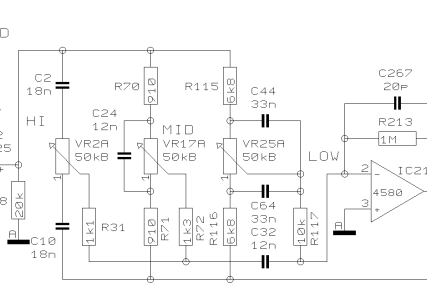
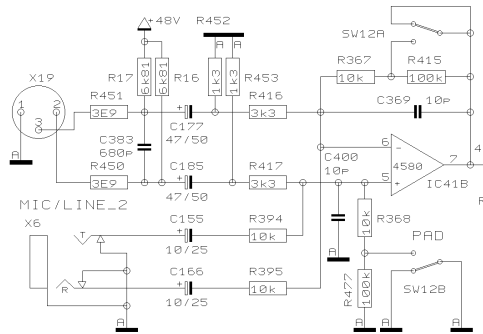
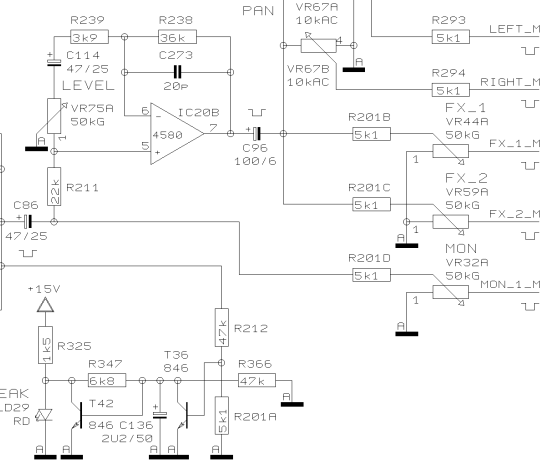
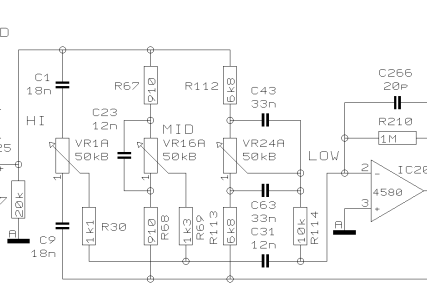
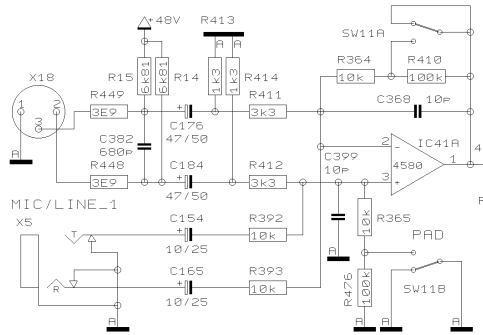
DRAWN
SASA

CHECKED

DATE 30.06.6
14:08



PROJECT
HCA2400
DIGITAL POWER
AMPLIFIER 2 x 400W
SHEET 2 OF 2 SHEETS TOTAL



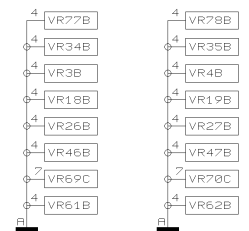
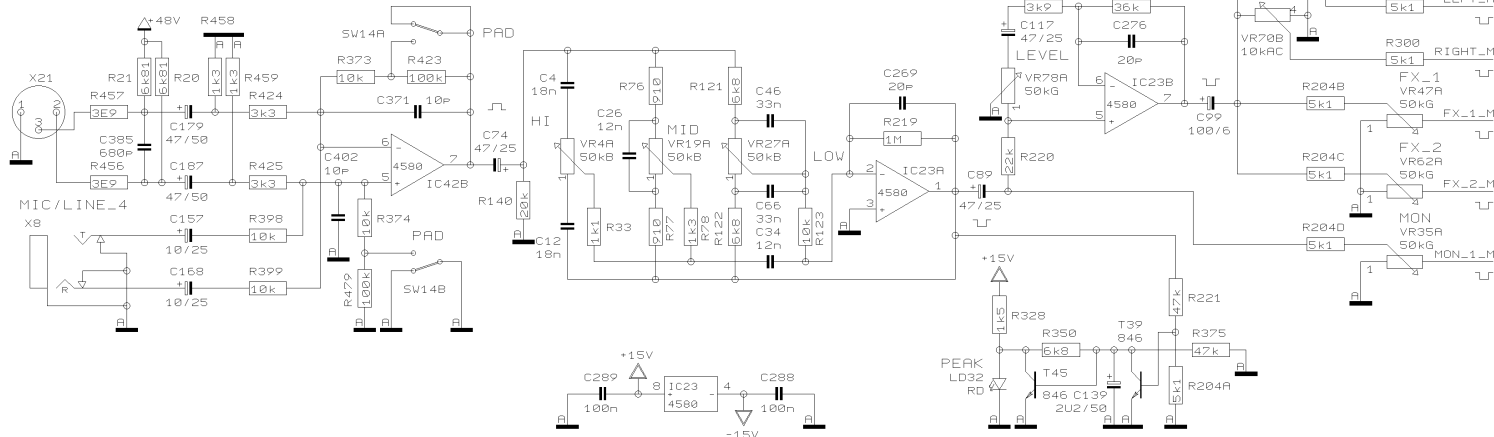
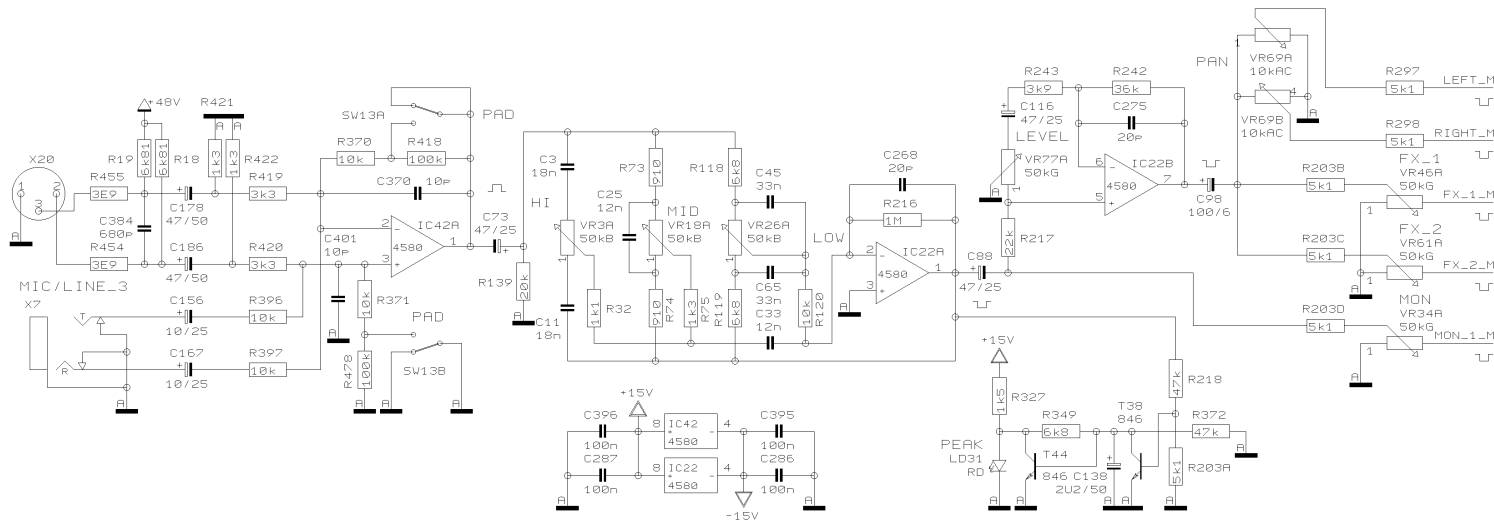
- 4 VR75B
- 4 VR32B
- 4 VR1B
- 4 VR16B
- 4 VR24B
- 4 VR44B
- 7 VR67C
- 4 VR59B
- 4 VR76B
- 4 VR33B
- 4 VR2B
- 4 VR17B
- 4 VR25B
- 4 VR45B
- 7 VR68C
- 4 VR60B

REVISIONS A (10/12/07)

DRAWN SA CHECKED DATE 14.12. 7 12:17



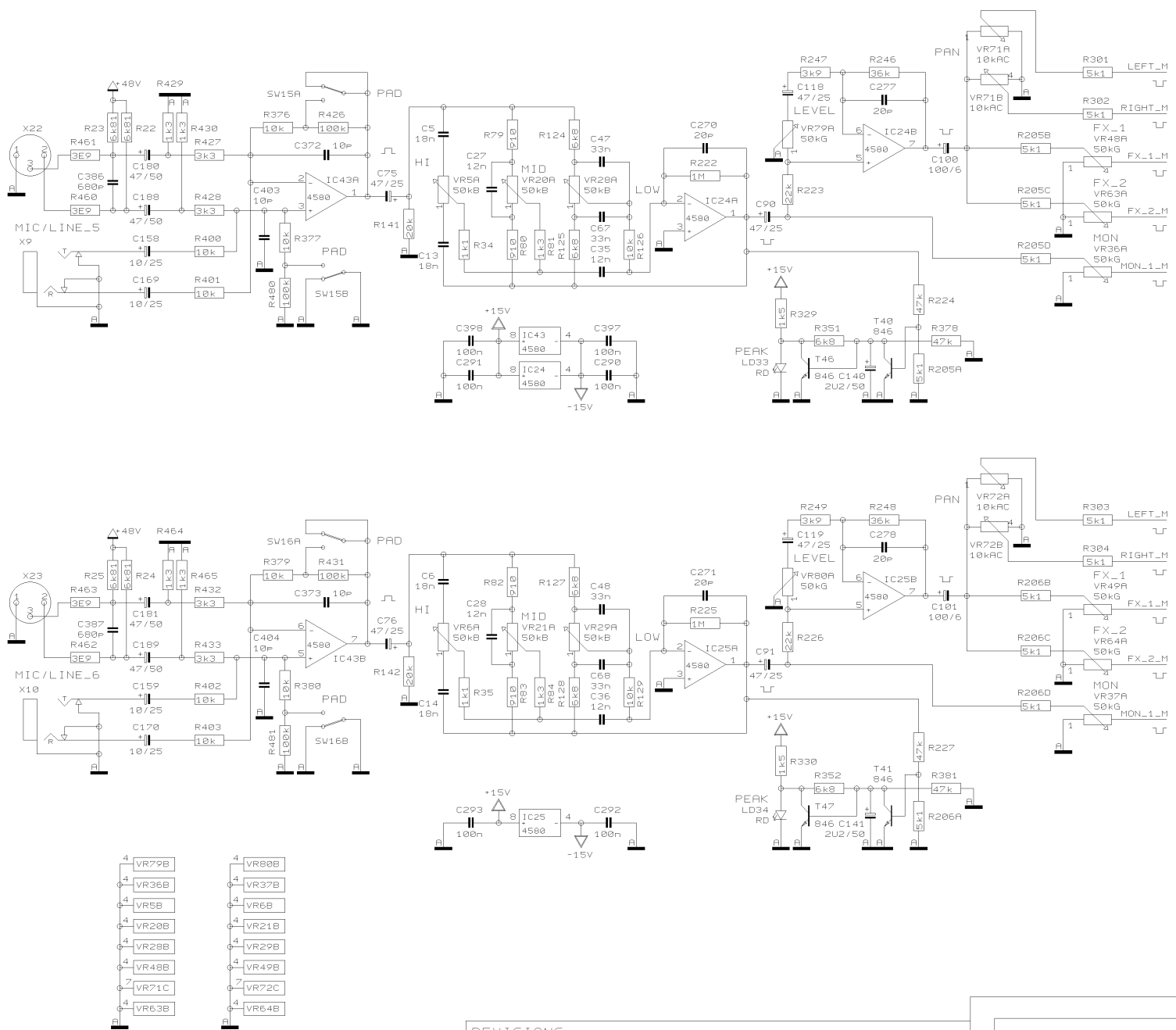
PROJECT P0568
EUROPOWER
MONO CHANNEL 1-2
SHEET 1 OF 9 SHEETS TOTAL



REVISIONS		
A		
DRAWN	CHECKED	DATE
SA		14.12.7 12:17



PROJECT
P0568
EUROPOWER
MONO CHANNEL 3-4
SHEET 2 OF 9 SHEETS TOTAL



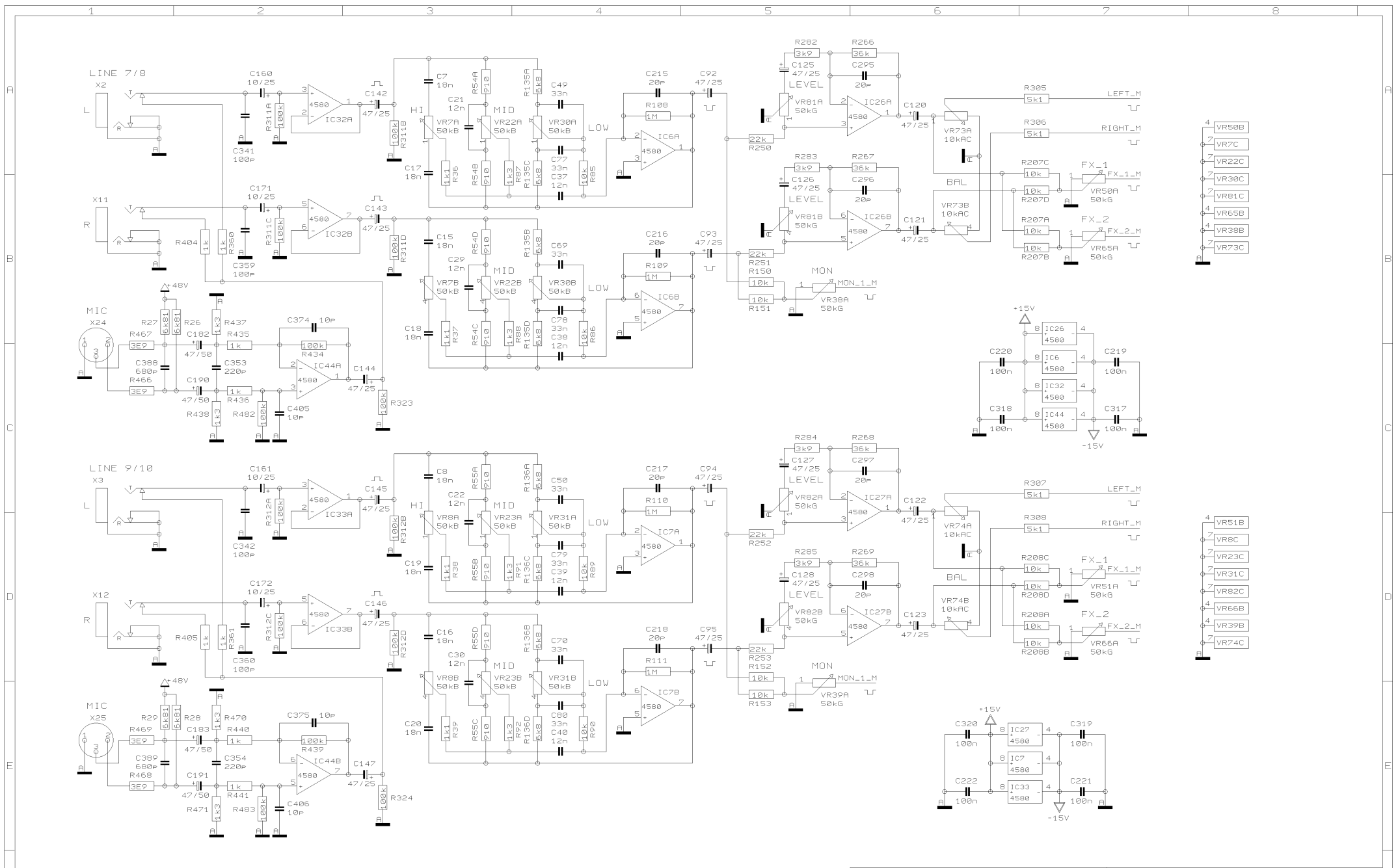
REVISIONS

REVISIONS	A
DRAWN	SA
CHECKED	

DATE	14.12.7
	12:17



PROJECT
P0568
EUROPOWER
MONO CHANNEL 5-6
SHEET 3 OF 9 SHEETS TOTAL



REVISIONS

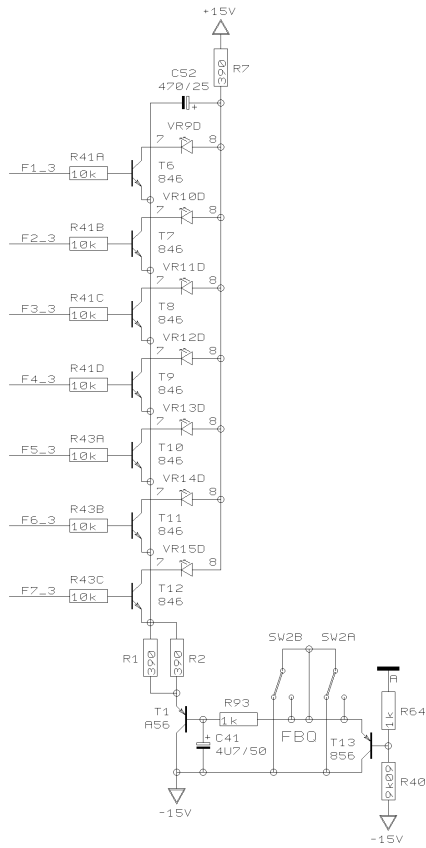
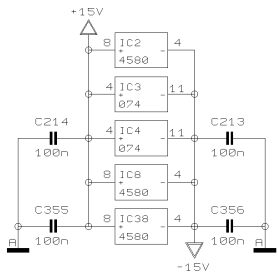
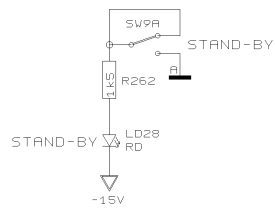
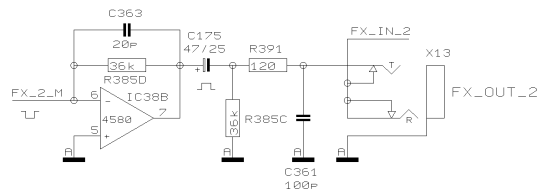
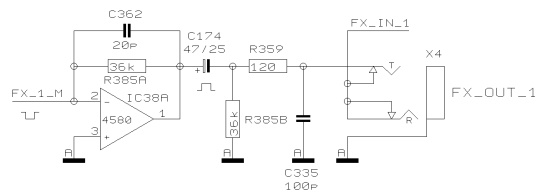
REVISIONS	A
DRAWN	SA
CHECKED	

DATE 14.12.7
12:17



Specialized Studio Equipment

PROJECT P0568
EUROPOWER
STEREO CHANNEL 7/8-9/10
SHEET 4 OF 9 SHEETS TOTAL



REVISIONS

A

DRAWN SA

CHECKED

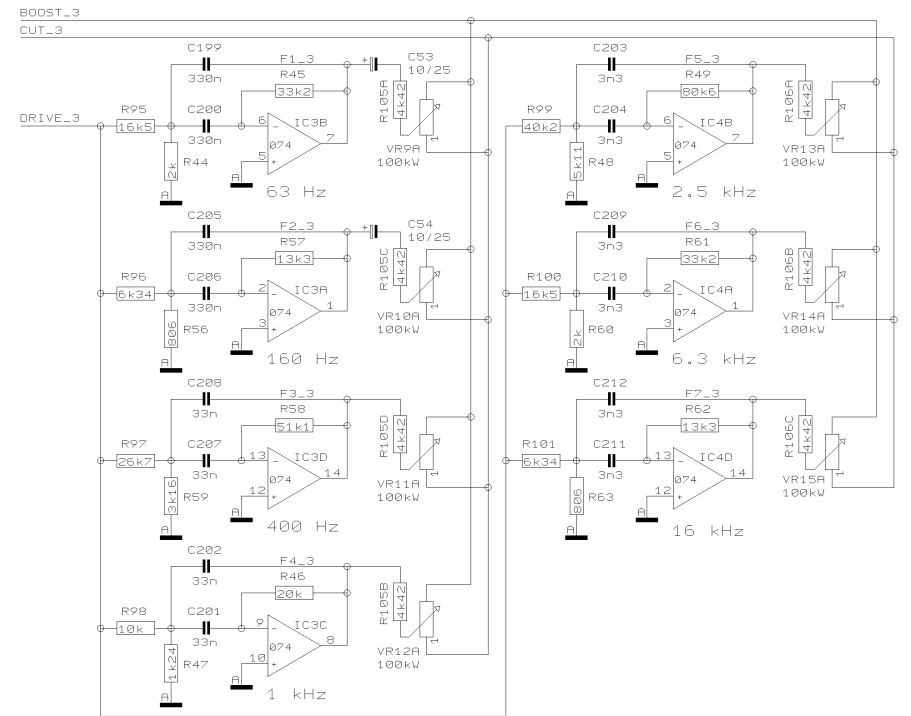
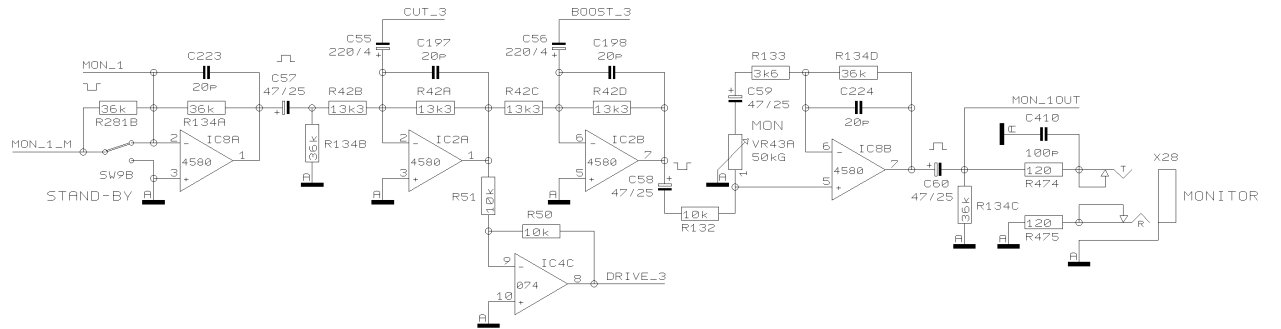
DATE 14.12.7
12:17

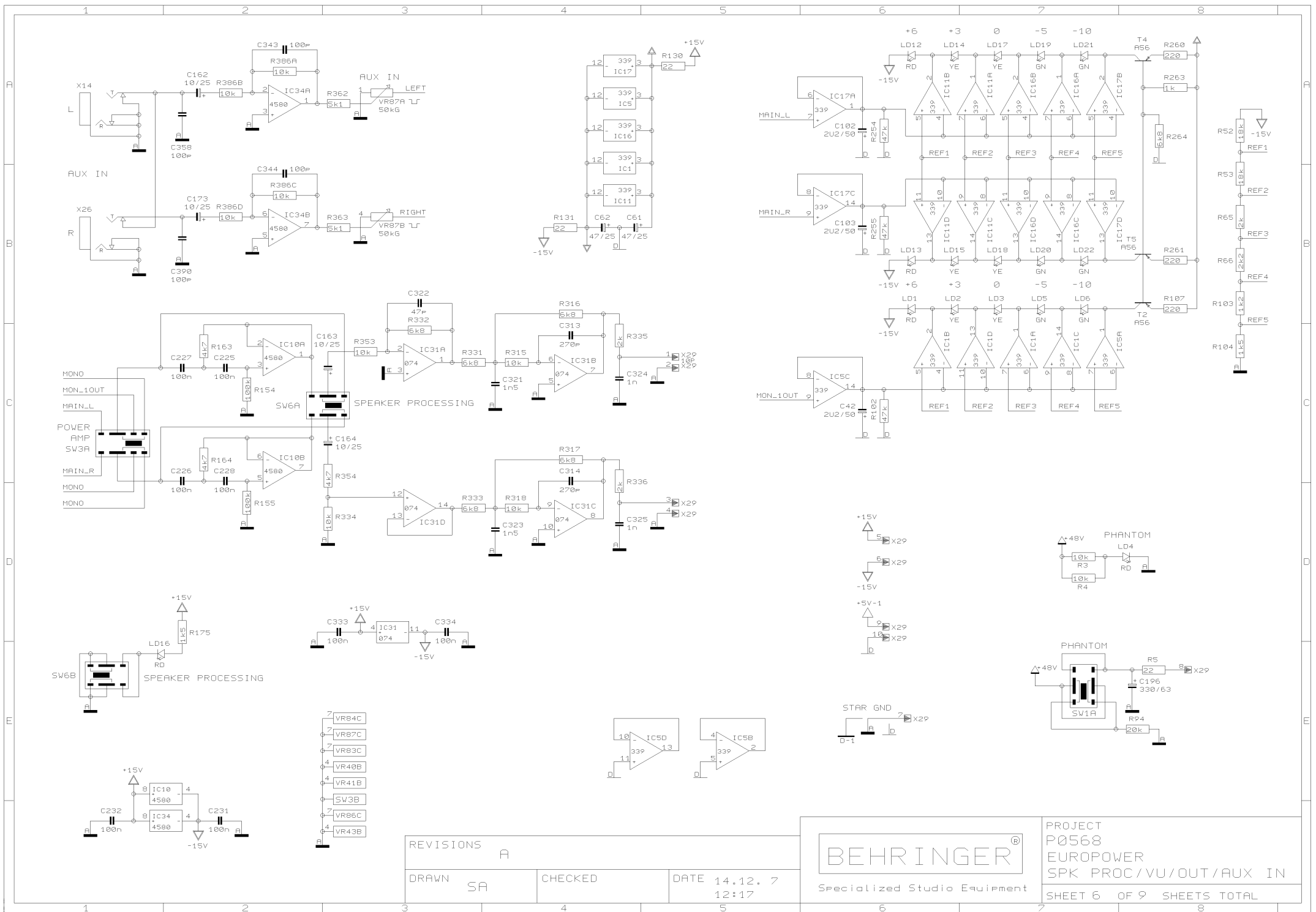
BEHRINGER®

Specialized Studio Equipment

PROJECT
P0568
EUROPOWER
MON/FX/STBY

SHEET 5 OF 9 SHEETS TOTAL



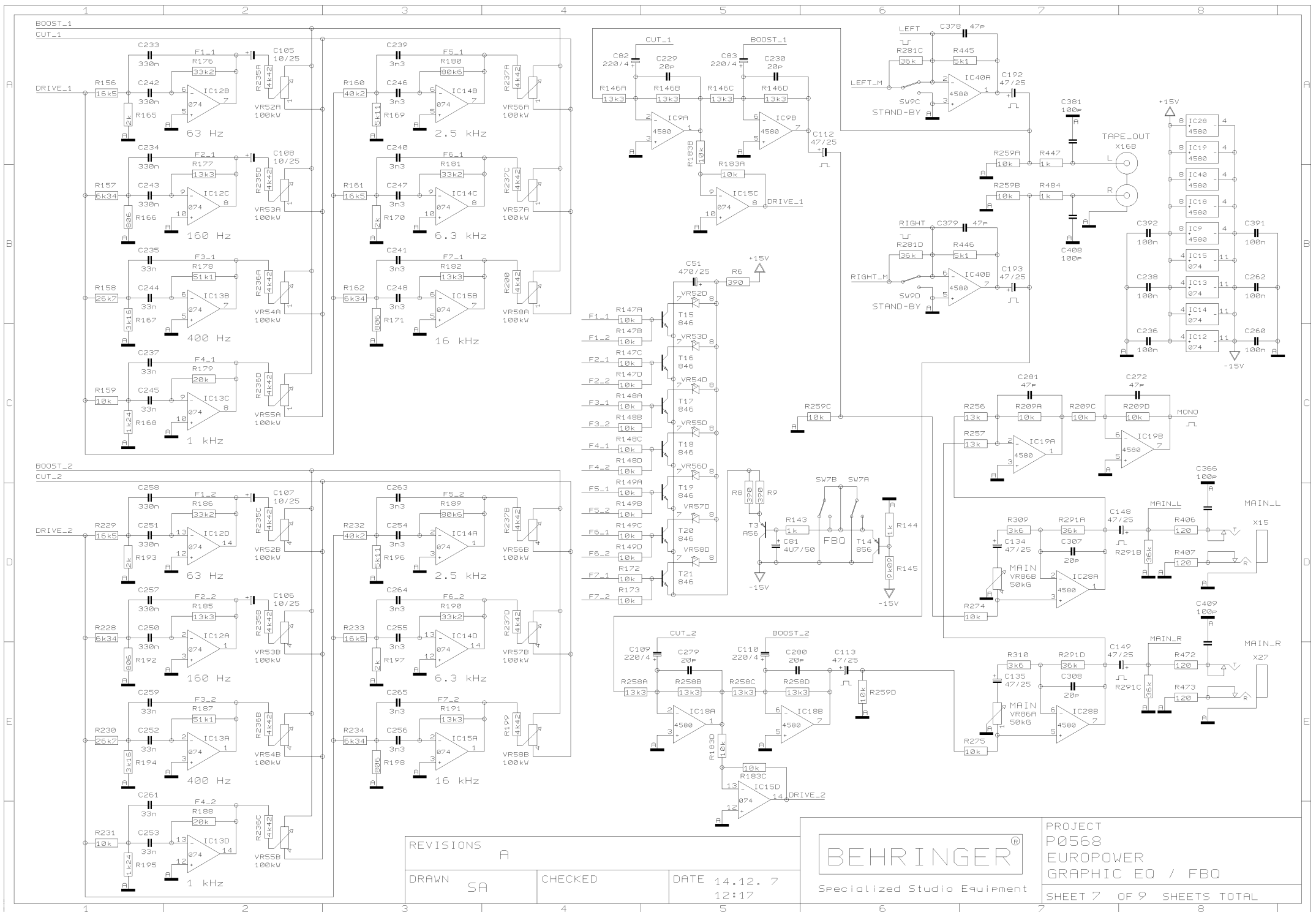


REVISIONS		
A		
DRAWN	CHECKED	DATE
SA		14.12.7 12:17



Specialized Studio Equipment

PROJECT
P0568
EUROPOWER
SPK PROC/VU/OUT/AUX IN
SHEET 6 OF 9 SHEETS TOTAL



REVISIONS
A

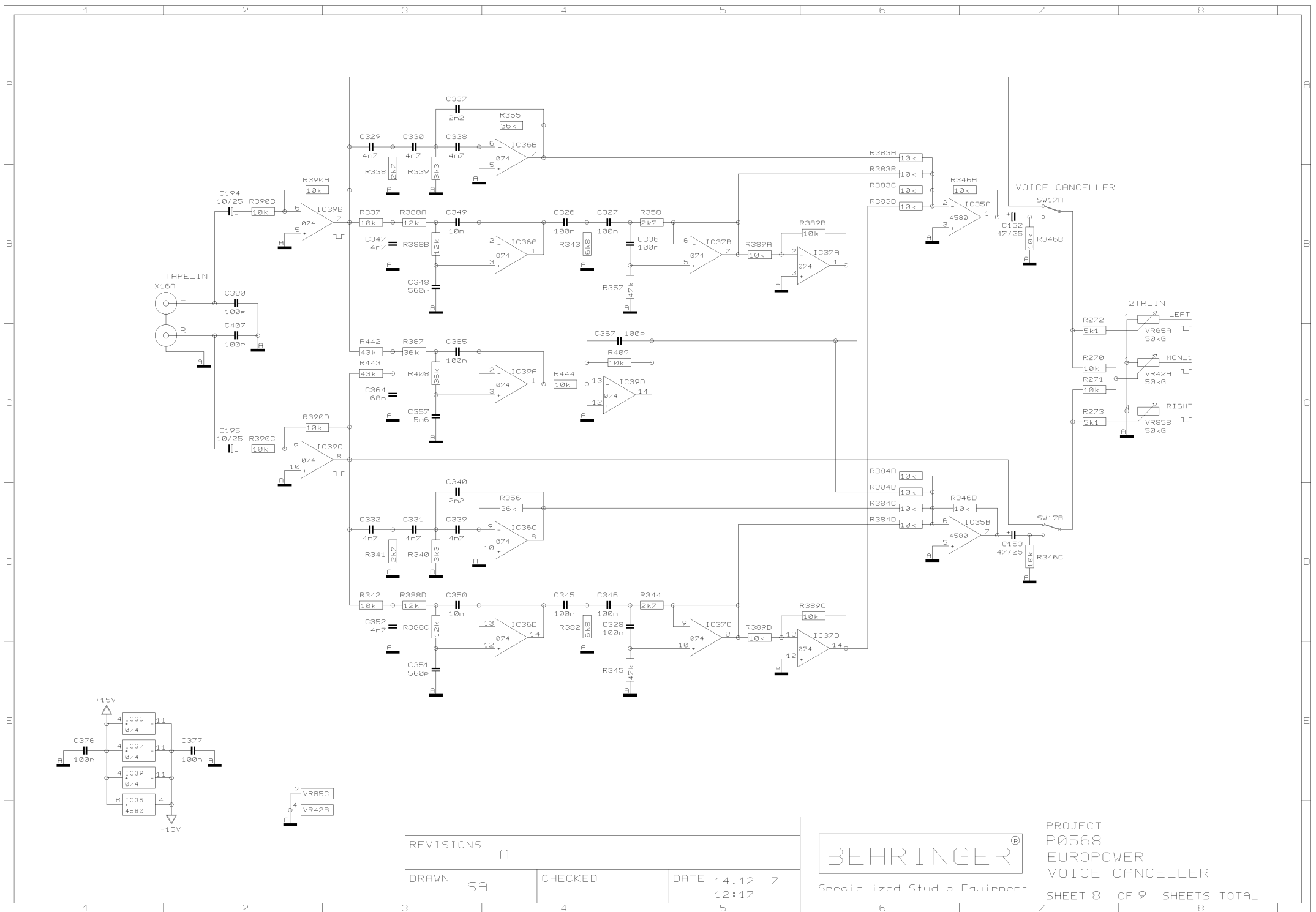
DRAWN SA

CHECKED

DATE 14.12.7
12:17



PROJECT
P0568
EUROPOWER
GRAPHIC EQ / FBO
SHEET 7 OF 9 SHEETS TOTAL



REVISIONS

A

DRAWN SA

CHECKED

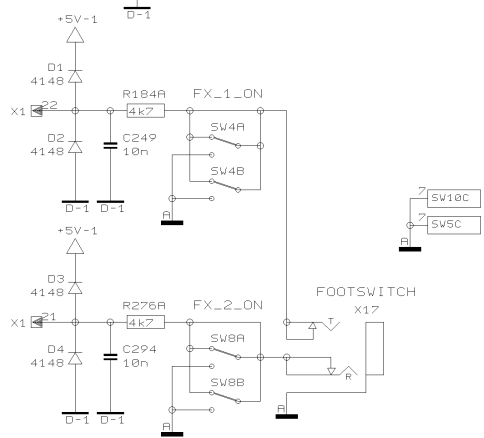
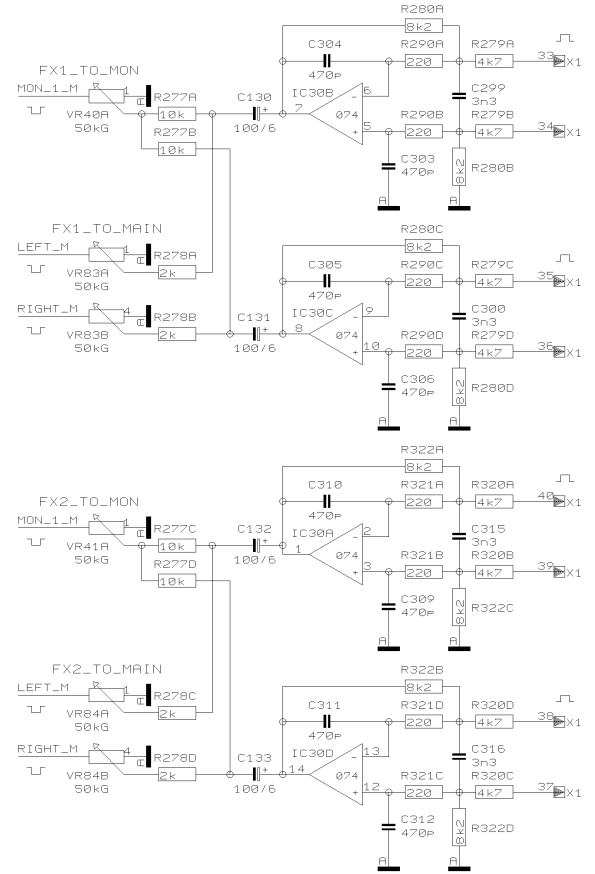
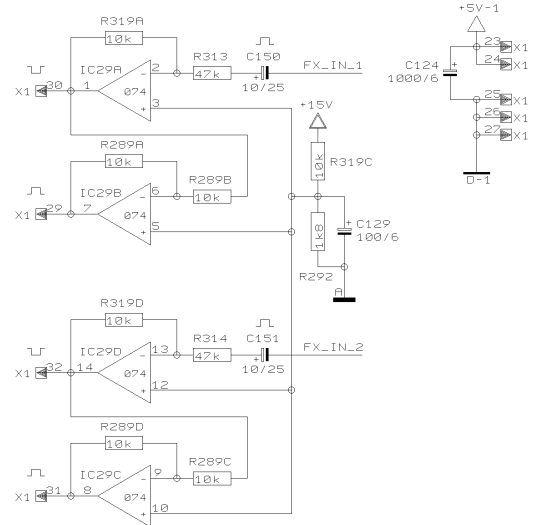
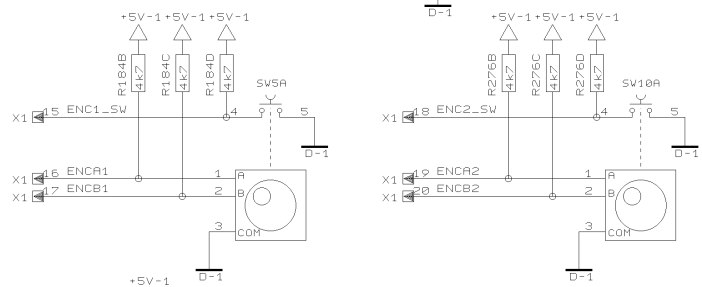
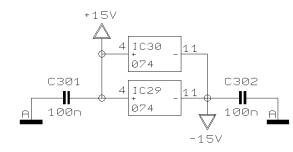
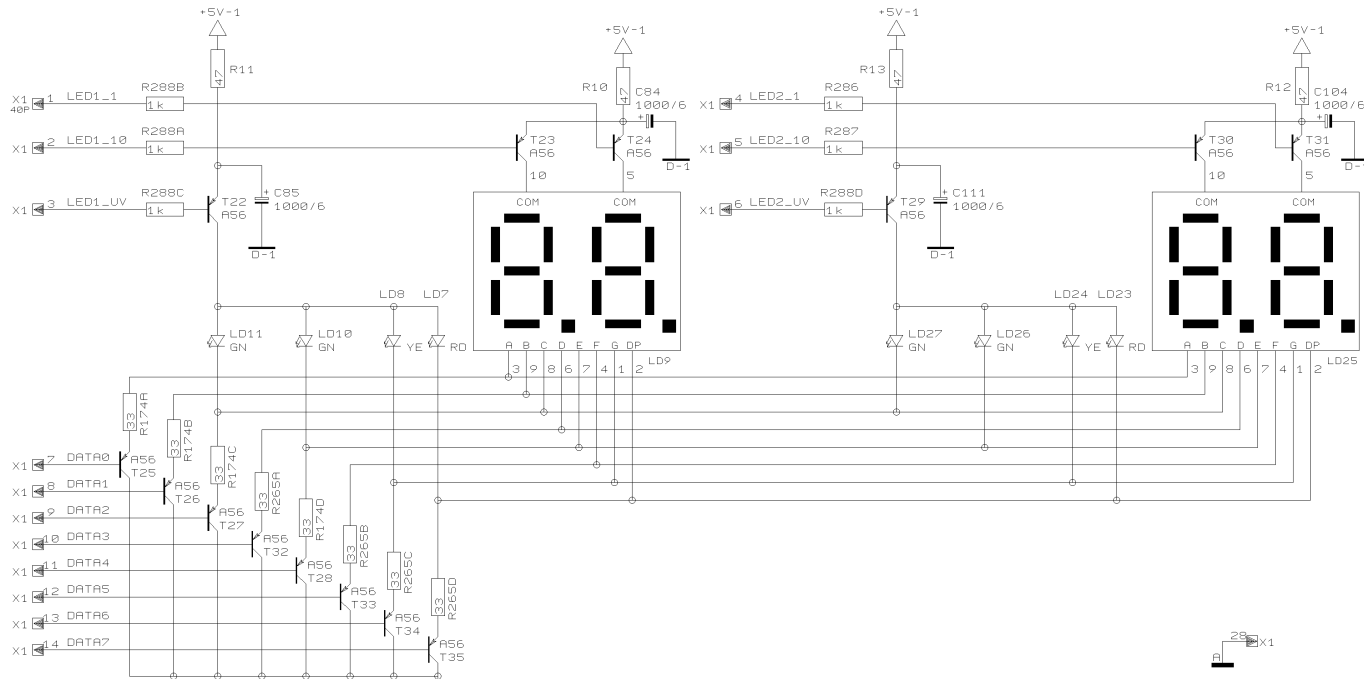
DATE 14.12.7
12:17

BEHRINGER®

Specialized Studio Equipment

PROJECT
P0568
EUROPOWER
VOICE CANCELLER

SHEET 8 OF 9 SHEETS TOTAL

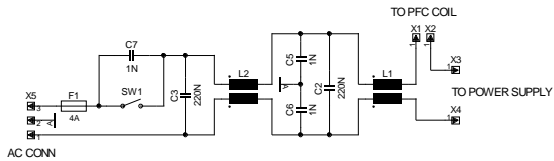


REVISIONS		
A		
DRAWN	CHECKED	DATE
SA		14.12. 7 12:17



PROJECT
P0568
EUROPOWER
FX SECTION


SHEET 9 OF 9 SHEETS TOTAL



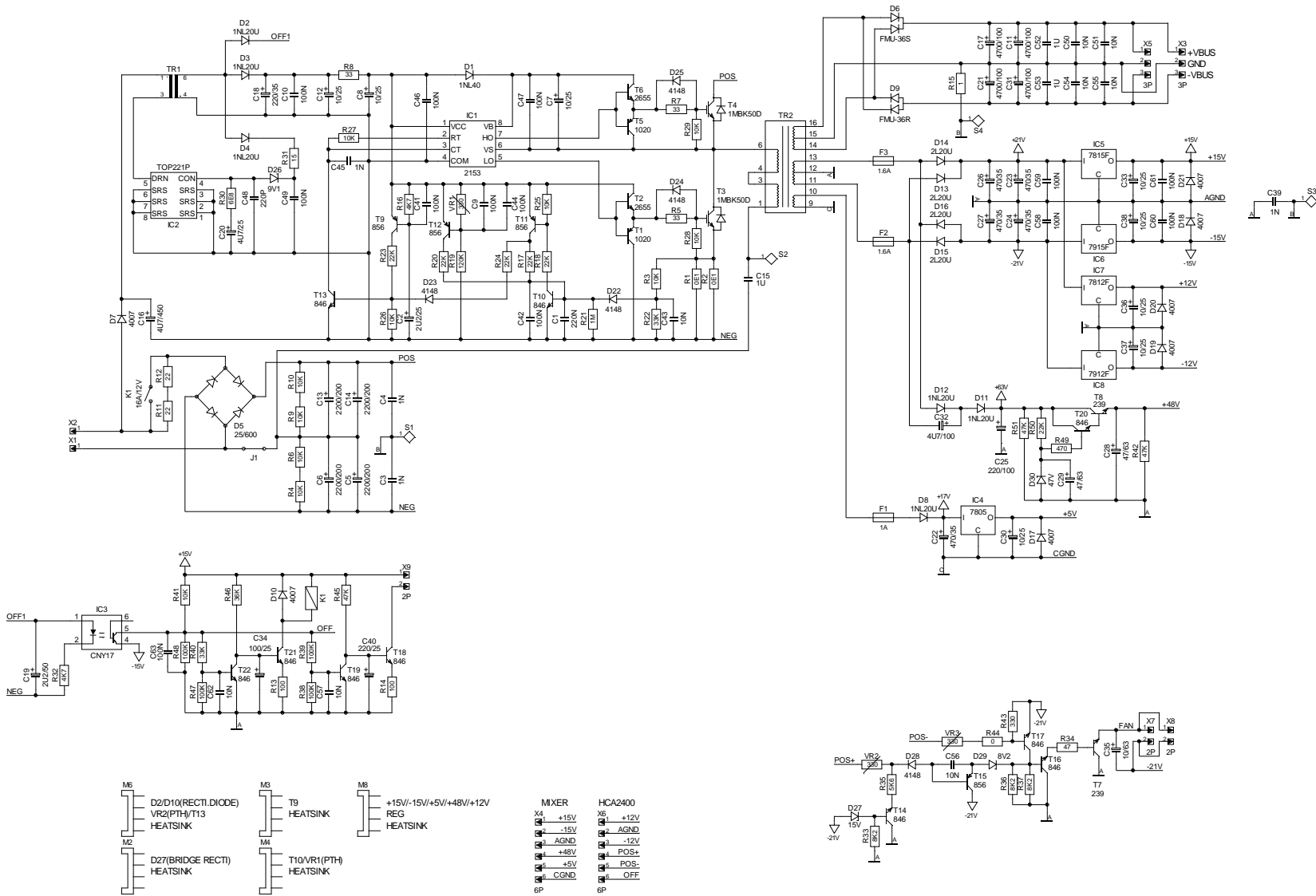
Alternative Value for 220rF



ALL INFORMATION (INCLUDING DRAWINGS AND DIAGRAMS) CONTAINED IN THIS DOCUMENT IS THE PROPERTY OF BEHRINGER. ADDRESSEES WHOM THE INFORMATION IS CONFIDED TO SHALL MAINTAIN THE INFORMATION IN CONFIDENCE AND SHALL NOT RELEASE IT TO ANY UNAUTHORIZED THIRD PARTIES (EXCEPT UNDER ATTORNEY CLIENT PRIVILEGE OR UNDER APPROPRIATE CONFIDENTIALITY AGREEMENTS). ANY UNAUTHORIZED DISCLOSURE, USE, APPLICATION OR ANY OTHER DEALINGS IN THE INFORMATION SHALL RESULT IN CIVIL AND/OR (WHERE APPLICABLE) CRIMINAL LIABILITIES AND PENALTIES.

REV	CHANGES	DATE	INIT	FILE:
C	MODIFIED	151205	SASA	 sps1000_1
B	MODIFIED	210405	SASA	
A	CREATED	201004	LR	

DATE	NAME	SPS1000	
2010/04	L.RAMOS	SCHEMATIC	
		AC_IN	
			SHEET 1 OF 1



- M1 D2/D1 (RECT.) DIODE
- M2 VR2 (PTH)/T13 HEATSINK
- M3 D27 (BRIDGE RECT.) HEATSINK
- M4 T9 HEATSINK
- M5 T10/VR1 (PTH) HEATSINK
- M6 +15V/-15V/+48V/+5V/+12V HEATSINK

- MIXER HCA2400
- X1 +15V
- X2 -15V
- X3 AGND
- X4 +48V
- X5 +5V
- X6 POS.
- X7 C.GND
- X8 OFF

ALL INFORMATION (INCLUDING DRAWINGS AND DIAGRAMS) CONTAINED IN THIS DOCUMENT IS THE PROPERTY OF BEHRINGER. ADDRESSEES WHOM THE INFORMATION IS CONFIDED TO SHALL MAINTAIN THE INFORMATION IN CONFIDENCE AND SHALL NOT RELEASE IT TO ANY UNAUTHORIZED THIRD PARTIES (EXCEPT UNDER ATTORNEY CLIENT PRIVILEGE OR UNDER APPROPRIATE CONFIDENTIALITY AGREEMENTS). ANY UNAUTHORIZED DISCLOSURE, USE, APPLICATION OR ANY OTHER DEALINGS IN THE INFORMATION SHALL RESULT IN CIVIL AND/OR (WHERE APPLICABLE) CRIMINAL LIABILITIES AND PENALTIES.

REV	CHANGES	DATE	INT	FILE:	DATE	NAME
C	MODIFIED	151205	SASA		2010/04	L.RAMOS
B	MODIFIED	190405	SASA			
A	CREATED	201004	LR			
6	CHANGES			SPS1000_2		

SPS1000		SHEET 1 OF 1
SCHEMATIC		
MAIN		