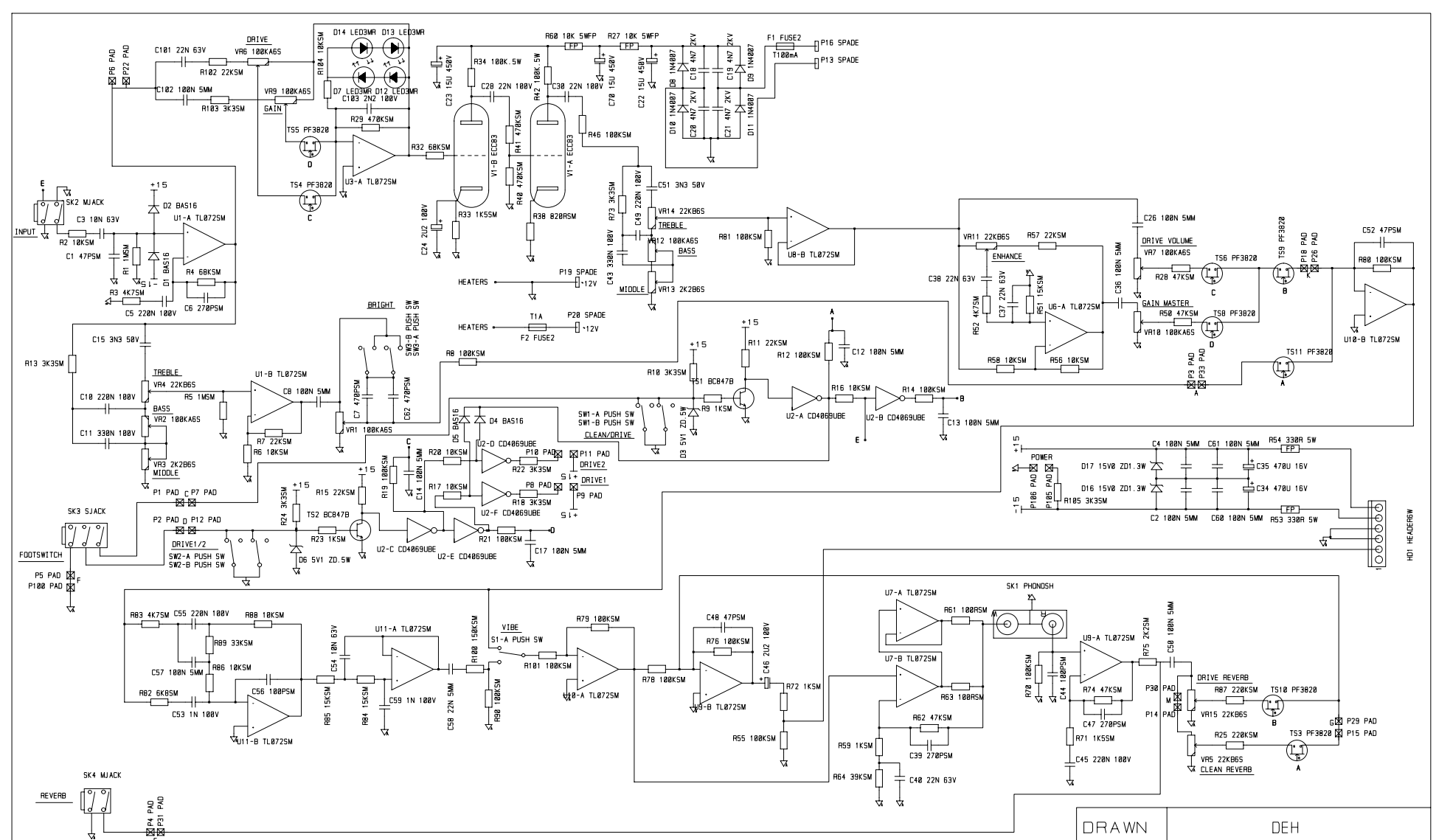


Laney

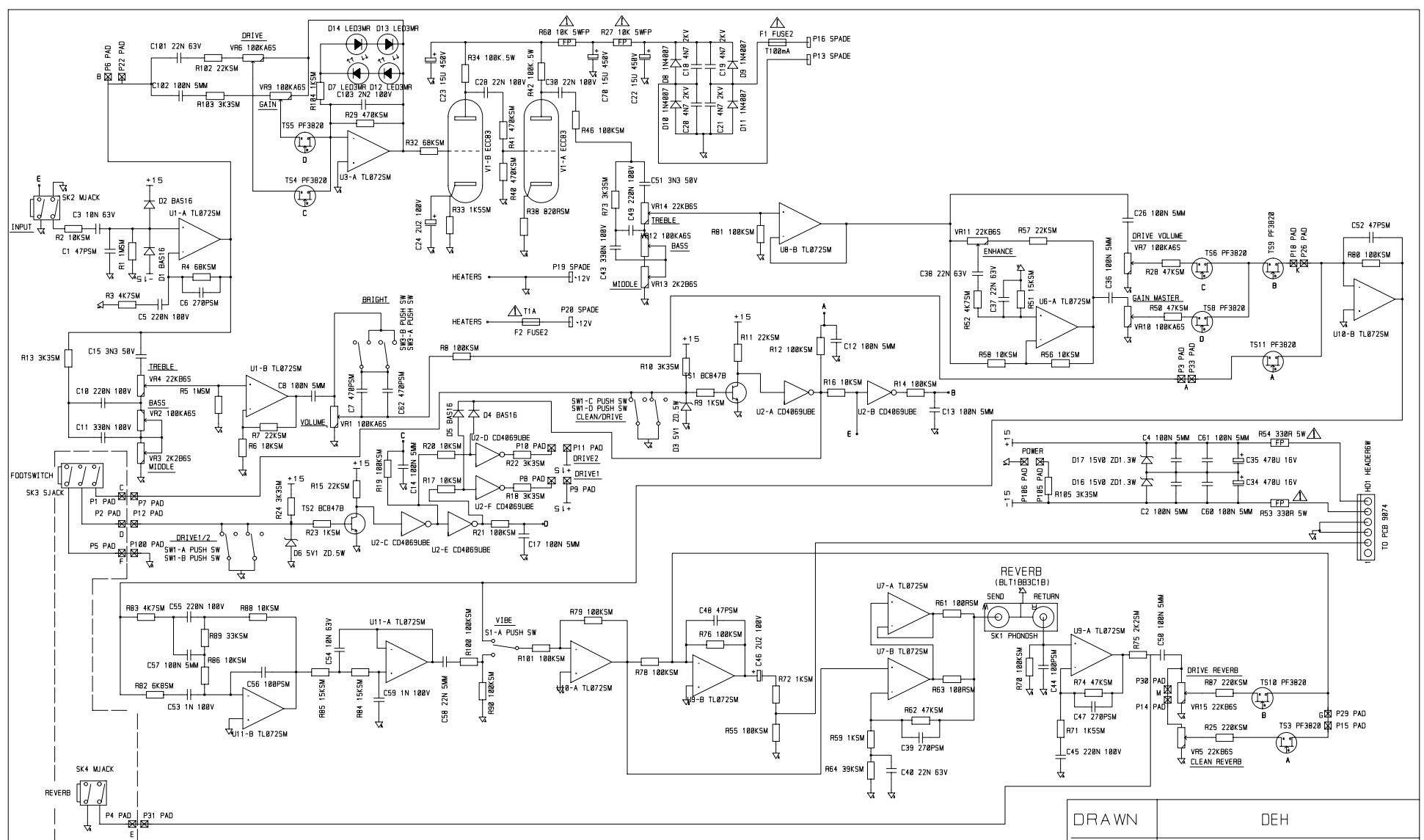
Service Diagrams



HOT1 HEADER#W

DRAWN	DEH
DATE	11/06/98
TITLE	TUBE FUSION TF200
DRW. NO.	9301_3

ISSUE	BOARD ISSUE 2 TO 3
TYPE	BRIGHT FREQUENCY ADJUSTED SEE CHANGE NOTE 158 26/06/98



▲ INDICATES SAFETY CRITICAL COMPONENT
 MUST ONLY BE REPLACED WITH APPROVED TYPE
 ▭ FLAMEPROOF RESISTOR MUST ONLY BE REPLACED WITH SAME TYPE AND RATING

DRAWN	DEH
DATE	11/06/98
TITLE	TUBE FUSION TF200
DRW. NO.	9301

ISSUE	BOARD ISSUE 3	ISSUE 3
TYPE	BRIGHT FREQUENCY ADJUSTED SEE CHANGE NOTE 159 26/06/98	R104 CHANGED FROM 10K TO 1K. SEE CHANGE NOTE 172 27/8/98

