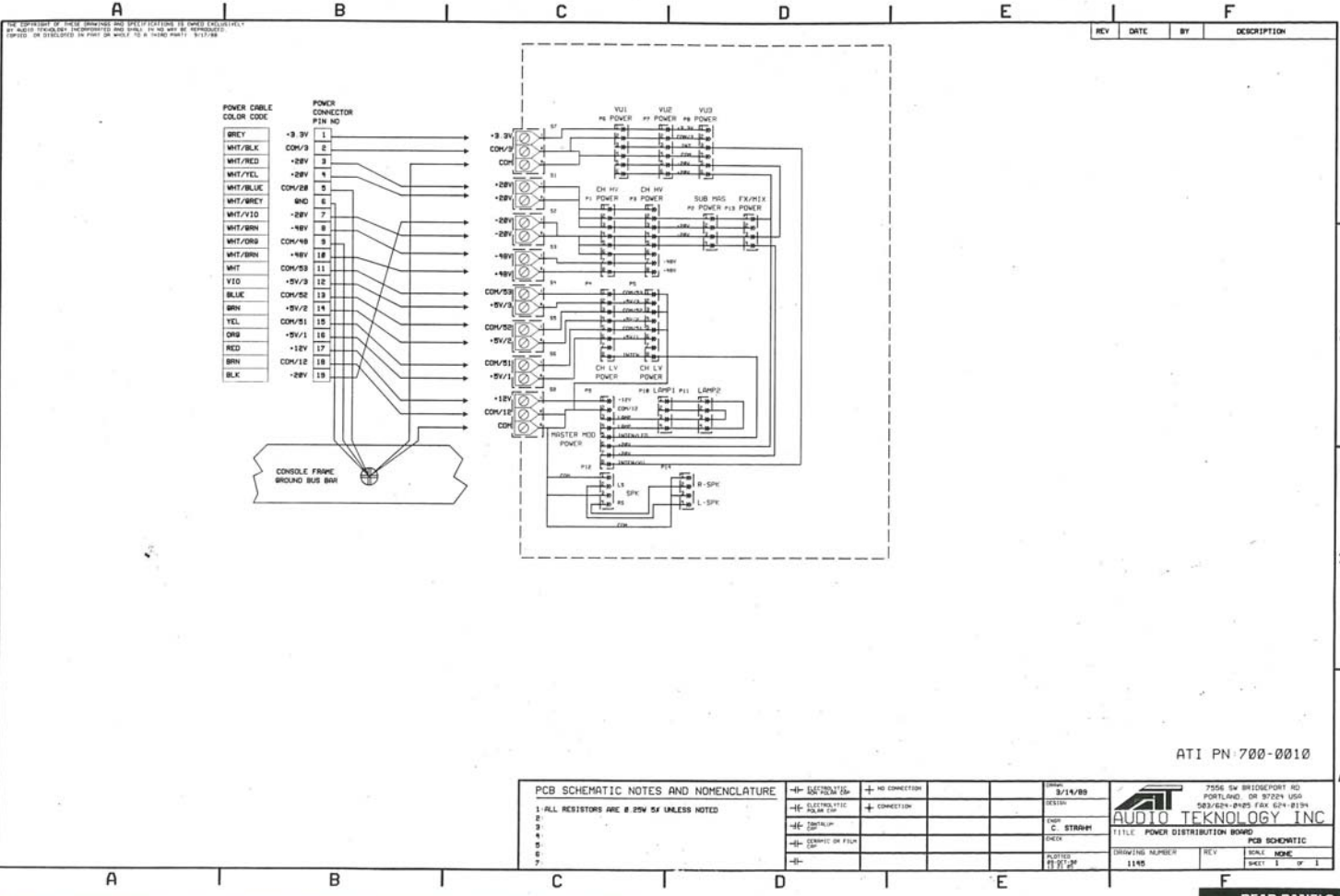


REV	DATE	BY	DESCRIPTION



PCB SCHEMATIC NOTES AND NOMENCLATURE		RESISTOR VALUE	NO CONNECTION	DATE	DESIGN	7556 SW BRIDGEPORT RD PORTLAND, OR 97224 USA 503/624-0885 FAX 504-834-8394	
1. ALL RESISTORS ARE 0.25W 5% UNLESS NOTED		RESISTOR VALUE	NO CONNECTION	3/14/88	DESIGN	<b>AUDIO TEKNOLOGY INC</b> TITLE POWER DISTRIBUTION BOARD PCB SCHEMATIC DRAWING NUMBER 1145 REV SCALE NONE SHEET 1 OF 1	
		RESISTOR VALUE	NO CONNECTION		DESIGN		
		RESISTOR VALUE	NO CONNECTION		DESIGN		
		RESISTOR VALUE	NO CONNECTION		DESIGN		
		RESISTOR VALUE	NO CONNECTION		DESIGN		
		RESISTOR VALUE	NO CONNECTION		DESIGN		
		RESISTOR VALUE	NO CONNECTION		DESIGN		

21.12

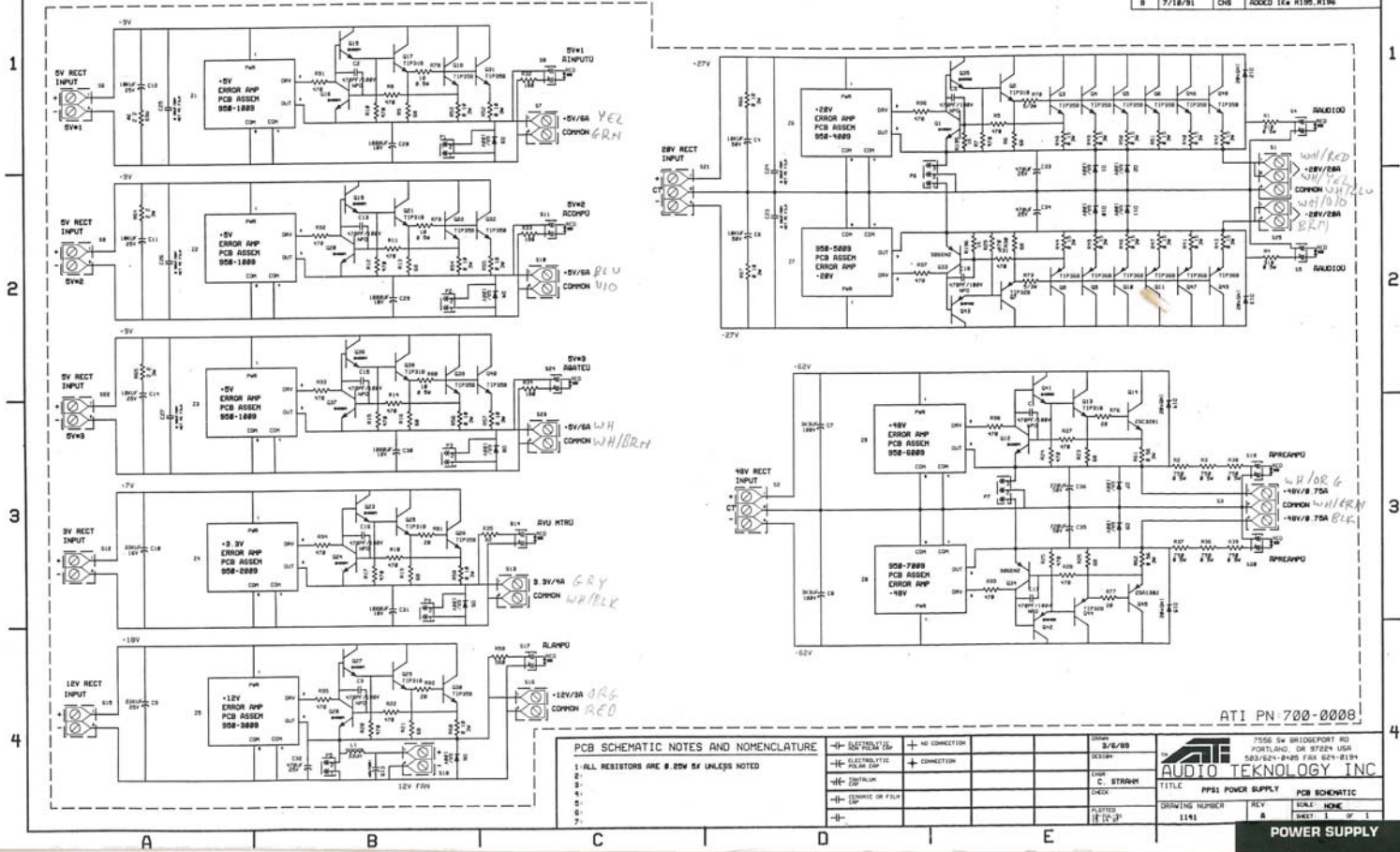
ATI PN 700-0010

REAR PANELS



THE COPYRIGHT OF THESE DRAWINGS AND SPECIFICATIONS IS RESERVED EXCLUSIVELY BY AUDIO TEKNOLOGY INC. NO PART OF THIS DRAWING OR SPECIFICATION IS TO BE REPRODUCED, STORED IN RETRIEVAL SYSTEM, OR TRANSMITTED IN ANY FORM OR BY ANY MEANS, ELECTRONIC OR MECHANICAL, INCLUDING PHOTOCOPYING, RECORDING, OR BY ANY INFORMATION STORAGE AND RETRIEVAL SYSTEM, WITHOUT PERMISSION IN WRITING FROM AUDIO TEKNOLOGY INC.

REV	DATE	BY	DESCRIPTION
A	6/5/98	CHS	ADD 82V XISTORS
B	7/18/91	CHS	ADDED 154 R195, R196



**PCB SCHEMATIC NOTES AND NOMENCLATURE**

1- ALL RESISTORS ARE 1/8W UNLESS NOTED

2- ALL CAPACITORS ARE 50V UNLESS NOTED

3- ALL DIMENSIONS ARE IN MILLIMETERS UNLESS NOTED

4- ALL DIMENSIONS ARE IN INCHES UNLESS NOTED

5- ALL DIMENSIONS ARE IN MILLIMETERS UNLESS NOTED

6- ALL DIMENSIONS ARE IN INCHES UNLESS NOTED

7- ALL DIMENSIONS ARE IN MILLIMETERS UNLESS NOTED

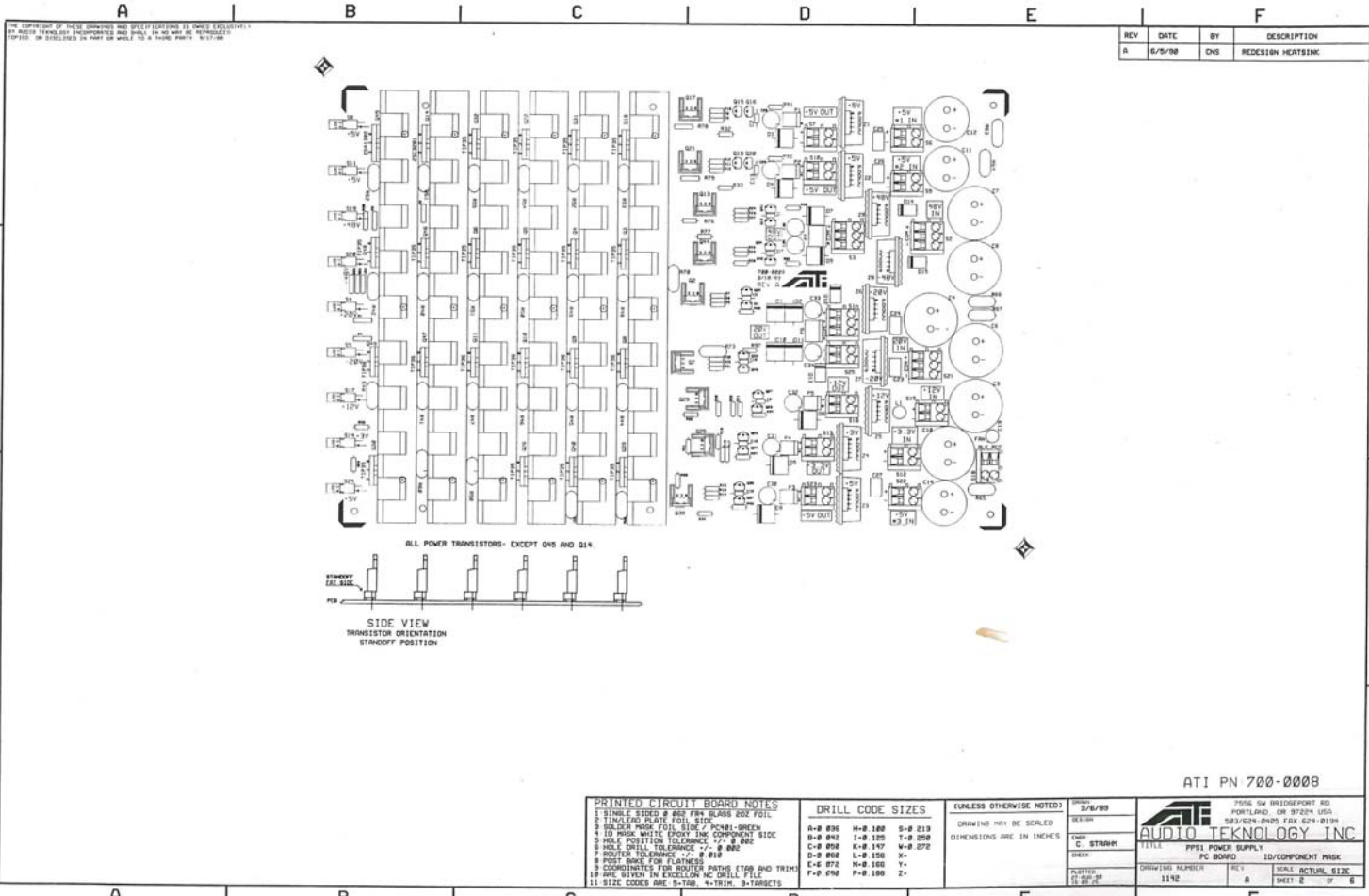
SYMBOL	DESCRIPTION
---	NO CONNECTION
+	CONNECTION
~	WAVEFORM
~	WAVEFORM
~	WAVEFORM
~	WAVEFORM
~	WAVEFORM
~	WAVEFORM

DATE: 3/6/99  
 DRAWN BY: C. STRAWN  
 CHECKED: [Signature]  
 TITLE: PPS1 POWER SUPPLY  
 DRAWING NUMBER: 1141  
 SCALE: NONE  
 SHEET: 1 OF 1

ATI PN 700-0008

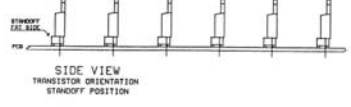
22-2

POWER SUPPLY



REV	DATE	BY	DESCRIPTION
A	5/5/98	DNS	REDESIGN HEATSINK

ALL POWER TRANSISTORS- EXCEPT Q15 AND Q14



- PRINTED CIRCUIT BOARD NOTES**
1. SINGLE SIDED 2. 802 FR4 GLASS 202 FOIL
  2. TINLEAD PLATE FOIL SIDE
  3. SOLDER MASK FOIL GIVE / PC991-BROWN
  4. 10 MILK WHITE PASTE DRG COMPONENT SLOC
  5. HOLE POSITION TOLERANCE +/- .002
  6. HOLE DRILL TOLERANCE +/- .002
  7. ANCHOR TOLERANCE +/- .010
  8. POST HOLE FOR FLATTEN
  9. DIMENSIONS FOR ROUTER PATHS (TRAP AND TRIM)
  10. ARE GIVEN IN EXCELLENCE DRILL FILE
  11. SIZE CODES ARE: 0-TAP, 4-TRIM, 3-TARGETS

DRILL CODE SIZES		
A-R 836	H-R 100	S-R 213
B-R 816	I-R 120	T-R 250
C-R 800	F-R 147	V-R 272
D-R 800	L-R 150	X-
E-R 872	N-R 100	Y-
F-R 650	P-R 100	Z-

(UNLESS OTHERWISE NOTED)  
 DATE: 3/8/99  
 DRAWING MAY BE SCALED  
 DIMENSIONS ARE IN INCHES

ATI PN 700-0008

7556 SW BRIDGEPORT RD  
 PORTLAND, OR 97224 USA  
 503/558-9400 FAX 503-558-9139

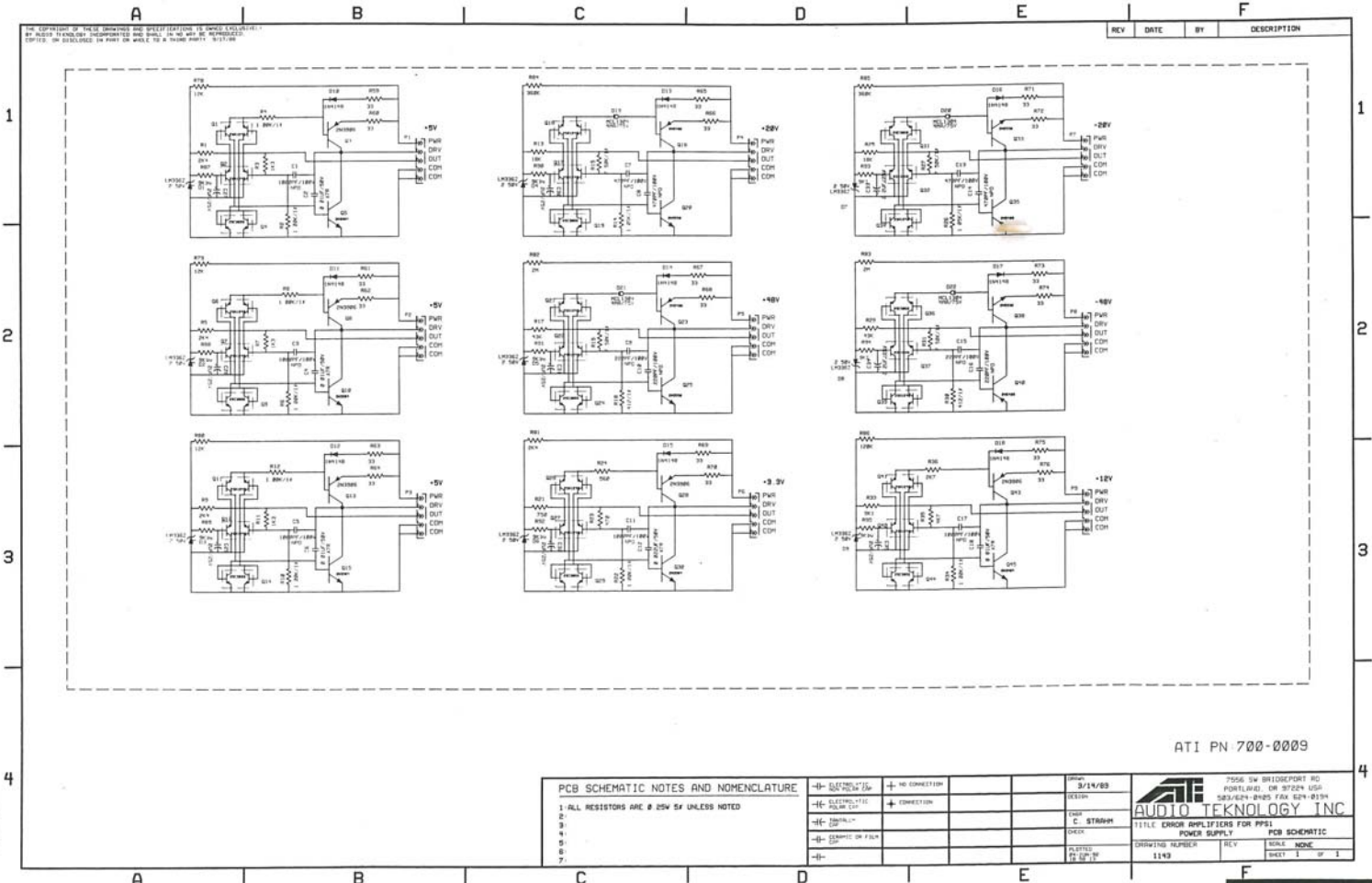
DESIGNER	C. STRAIN	TITLE	PPSI POWER SUPPLY
CHECKED		PC BOARD	ID/COMPONENT MARK
DATE	11/92	REV. A	SCALE: ACTUAL SIZE
			SHEET 2 OF 8

22-3

POWER SUPPLY

THE COPYRIGHT OF THESE DRAWINGS AND SPECIFICATIONS IS RESERVED EXCLUSIVELY BY AUDIO TEKNOLOGY INCORPORATED AND SHALL IN NO WAY BE REPRODUCED, COPIED, OR OTHERWISE IN WHOLE OR PART BY A THIRD PARTY. 10/11/88

REV	DATE	BY	DESCRIPTION



ATI PN 700-0009

PCB SCHEMATIC NOTES AND NOMENCLATURE		SYMBOLS		REVISIONS		DRAWING INFORMATION	
1. ALL RESISTORS ARE 1/8W 5% UNLESS NOTED		⊕	NO CONNECTION	DATE	3/14/88	DESIGN	
2.		⊖	ELECTRICAL NOISE CH	DRAWN		CHECK	C. STROHM
3.		⊕	CONNECTION	DATE		DESIGNED BY	
4.		⊖	CONNECTION	DATE		PLOTTED BY	
5.		⊕	CONNECTION	DATE		DATE	
6.		⊖	CONNECTION	DATE		SCALE	NONE
7.		⊕	CONNECTION	DATE		DRAWING NUMBER	1143
		⊖	CONNECTION	DATE		REV	1
		⊕	CONNECTION	DATE		REV	1
		⊖	CONNECTION	DATE		REV	1

**AUDIO TEKNOLOGY INC**  
 7556 SW BRIDGEPORT RD  
 PORTLAND, OR 97224 USA  
 503/627-2925 FAX 503-624-8534

TITLE: POWER SUPPLY FOR PPS1  
 PCB SCHEMATIC

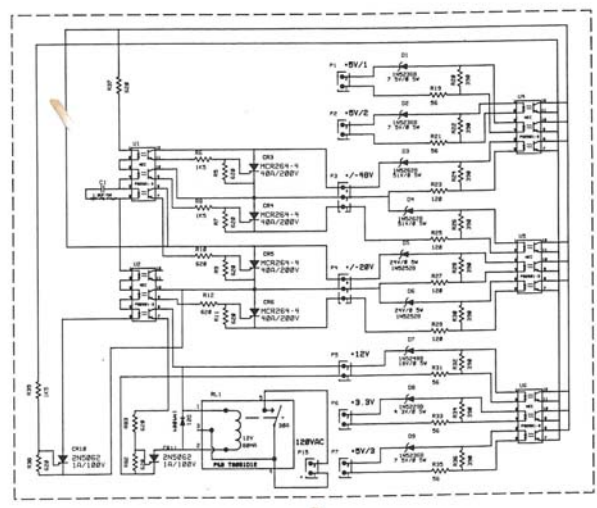
SCALE: NONE  
 SHEET: 1 OF 1

POWER SUPPLY

224

THE ACCEPTANCE OF THESE DIMENSIONS AND SPECIFICATIONS IS SOLELY EXCLUSIVE BY THE BUYER. TRANSDUCER INCORPORATED SHALL IN NO WAY BE RESPONSIBLE FOR ANY CHANGES IN PART OR WHOLE TO A THIRD PARTY. 5/11/88

REV	DATE	BY	DESCRIPTION



PPS1 VOLTAGES		
NOMINAL	ACTUAL	TRIP
5.0	5.7	4.0
12.0	13.0	10.0
28.0	28.3	25.0
48.0	47.0	33.0

ATI PN:700-0034

PCB SCHEMATIC NOTES AND NOMENCLATURE

- 1. ALL RESISTORS ARE 1/4W UNLESS NOTED
- 2.
- 3.
- 4.
- 5.
- 6.
- 7.

NO CONNECTION	NO CONNECTION	NO CONNECTION
ELECTROLYTIC POLAR CAP	CONNECTION	CONNECTION
CERAMIC OR FILM		

DATE	0/21/88
DESIGN	
CHKD	
CHKD	
FILED	
PLT'D	

7500 SW BRIDGEPORT RD  
 PORTLAND, OR 97224 USA  
 503/624-2400 FAX 624-2134

**AUDIO TEKNOLOGY INC.**

TITLE: PPS1 CROWBAR SYSTEM PCB SCHEMATIC

DRAWING NUMBER: 1274 REV: 1 SCALE: NONE SHEET: 1 OF 1

22-6

# INSTALLING REAR SUPPORT BRACKETS

**INSTALLATION INSTRUCTIONS:** Remove the four corner bolts from the rear panel of the power supply as shown (the bolts screw into perm nuts which are attached to the supply frame- you do not have to remove the top or bottom panels for this operation). Position the Rear Support Bracket as desired and insert bolts and tighten.

**Note:** the Rear Support Brackets may be positioned in any one of three different orientations as illustrated below (A,B, or C).

